



US00D784077S

(12) **United States Design Patent**
Zemel et al.

(10) **Patent No.:** **US D784,077 S**

(45) **Date of Patent:** **** Apr. 18, 2017**

- (54) **GRILL PAN**
- (71) Applicant: **BLUE RHINO GLOBAL SOURCING, INC.**, Liberty, MO (US)
- (72) Inventors: **Marc Zemel**, Melville, NY (US);
Adam Schillen, Dix Hills, NY (US)
- (73) Assignee: **BLUE RHINO GLOBAL SOURCING, INC.**, Liberty, MO (US)
- (**) Term: **15 Years**

- D418,717 S * 1/2000 Dudley D7/409
- D522,807 S 6/2006 Dow et al.
- D558,520 S * 1/2008 Raichlen D7/409
- 7,340,994 B2 * 3/2008 Bruno A47J 37/067
99/426
- D570,154 S * 6/2008 Wang D7/359
- D585,702 S 2/2009 Borovicka et al.
- D588,399 S * 3/2009 Vrbaneck D7/359
- D608,146 S * 1/2010 Zemel D7/409
- D609,525 S 2/2010 Rabanal
- 7,717,029 B2 5/2010 Rowe et al.
- D618,957 S 7/2010 Zemel
- D621,655 S 8/2010 Zemel
- D624,787 S 10/2010 Adams et al.
- D635,825 S 4/2011 Borovicka et al.

(Continued)

(21) Appl. No.: **29/565,690**

(22) Filed: **May 24, 2016**

(51) **LOC (10) Cl.** **07-02**

(52) **U.S. Cl.**
USPC **D7/409; D7/354**

(58) **Field of Classification Search**
USPC D7/323, 332, 335-337, 354-355,
D7/359-364, 387-388, 402, 407-409;
D32/3
CPC A21B 2/00; A21B 3/00; A21B 3/13; A21B
3/15; A21B 5/00; A21B 5/02; A23N
12/06; A23N 12/08; A23N 12/10; A47J
37/00; A47J 37/04; A47J 37/041; A47J
37/042; A47J 37/06; A47J 37/067; A47J
37/0688; A47J 37/0694; A47J 37/07;
A47J 37/0704; A47J 37/10; A47J 47/20;
A47J 2037/00; A47J 2037/06; A47J
2037/0611; A47J 2037/07; A47J
2037/0786; A47J 2037/0795; F24C 15/10;
F24C 15/12; F24C 15/14; F24C 15/16;
F24C 15/164; F24C 15/18
See application file for complete search history.

(56) **References Cited**

U.S. PATENT DOCUMENTS

- 5,870,946 A * 2/1999 Dudley F24C 15/16
99/400
- D417,124 S * 11/1999 Chen 211/60.1

OTHER PUBLICATIONS

Design U.S. Appl. No. 29/533,482, filed Jul. 17, 2015.
Design U.S. Appl. No. 29/531,865, filed Jun. 30, 2015.

Primary Examiner — Ricky Pham

(74) *Attorney, Agent, or Firm* — Carter, DeLuca, Farrell & Schmidt, LLP

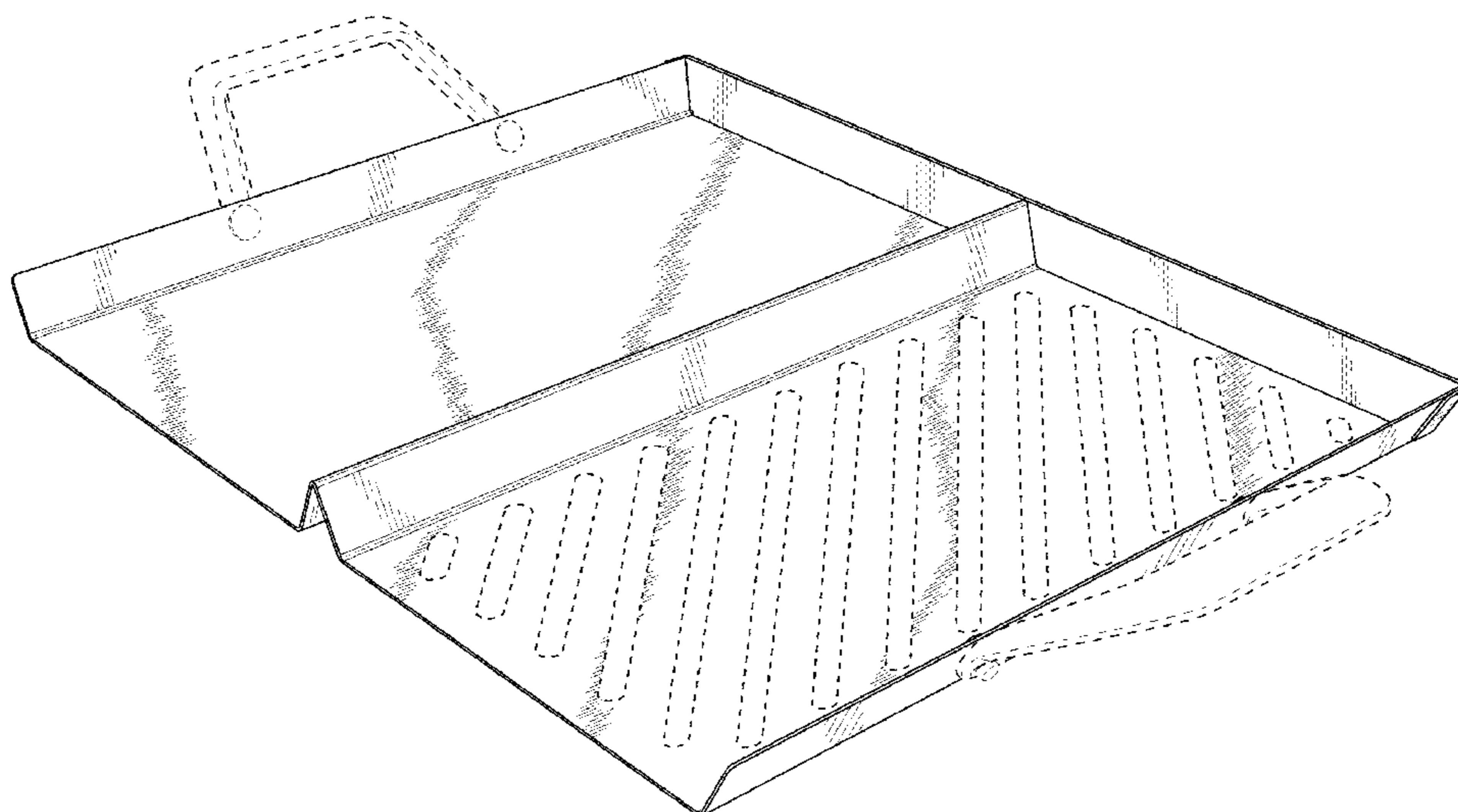
(57) **CLAIM**

The ornamental design for a grill pan, as shown and described.

DESCRIPTION

FIG. 1 is a front perspective view of a grill pan in accordance with the present design;
FIG. 2 is a right side elevational view thereof;
FIG. 3 is a left side elevational view thereof;
FIG. 4 is a front side elevational view thereof;
FIG. 5 is a rear side elevational view thereof;
FIG. 6 is a top plan view thereof; and,
FIG. 7 is a bottom plan view thereof.
The broken lines shown in the drawings illustrate portions of the grill pan that form no part of the claimed design.

1 Claim, 5 Drawing Sheets



(56)

References Cited

U.S. PATENT DOCUMENTS

D639,601 S 6/2011 Borovicka et al.
D648,175 S * 11/2011 Zemel D7/354
D650,632 S 12/2011 Zemel
D651,457 S 1/2012 Borovicka et al.
D658,441 S 5/2012 Borovicka et al.
D658,942 S 5/2012 Borovicka et al.
D668,506 S * 10/2012 Zemel D7/409
D702,499 S 4/2014 Zemel
D703,485 S 4/2014 Zemel
D709,727 S * 7/2014 Cloutier D7/354
D725,851 S * 3/2015 Lee D32/3
9,215,949 B1 * 12/2015 Cloutier A47J 37/0704
D761,614 S 7/2016 Zemel
2008/0066734 A1 3/2008 Bright

* cited by examiner

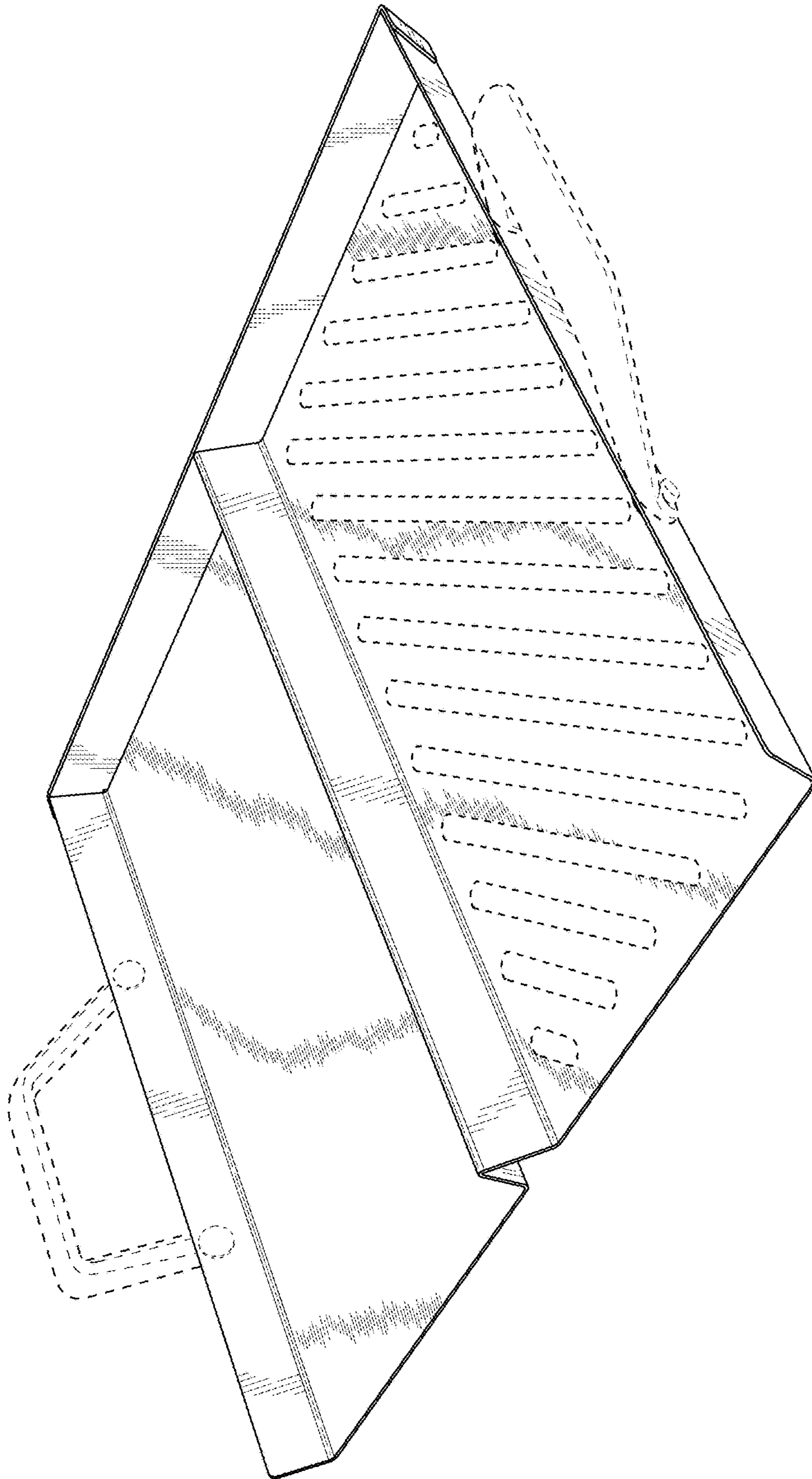


FIG. 1

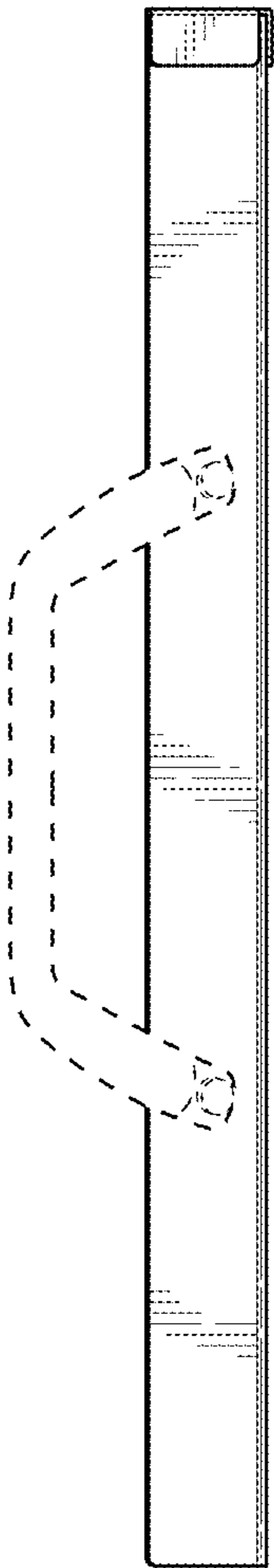


FIG. 2

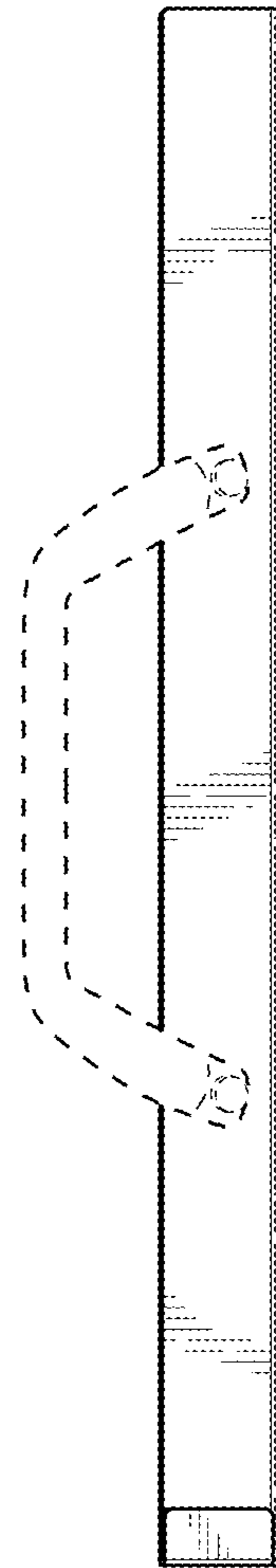


FIG. 3

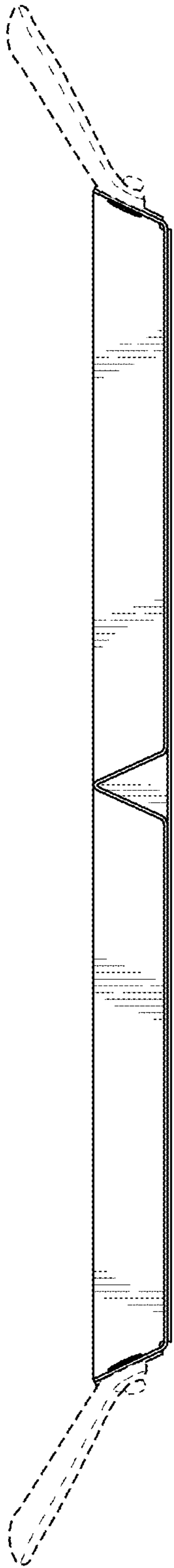


FIG. 4

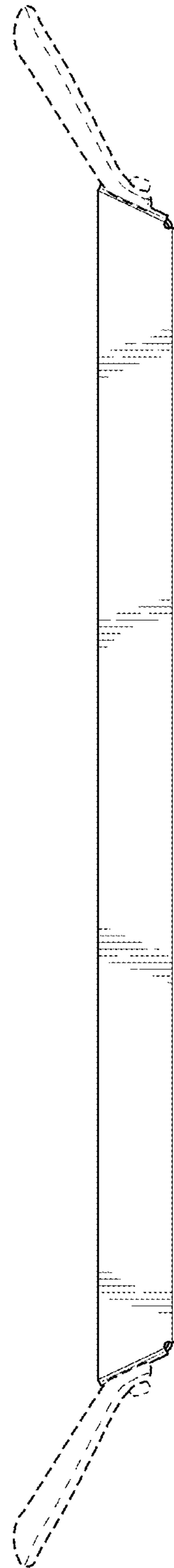


FIG. 5

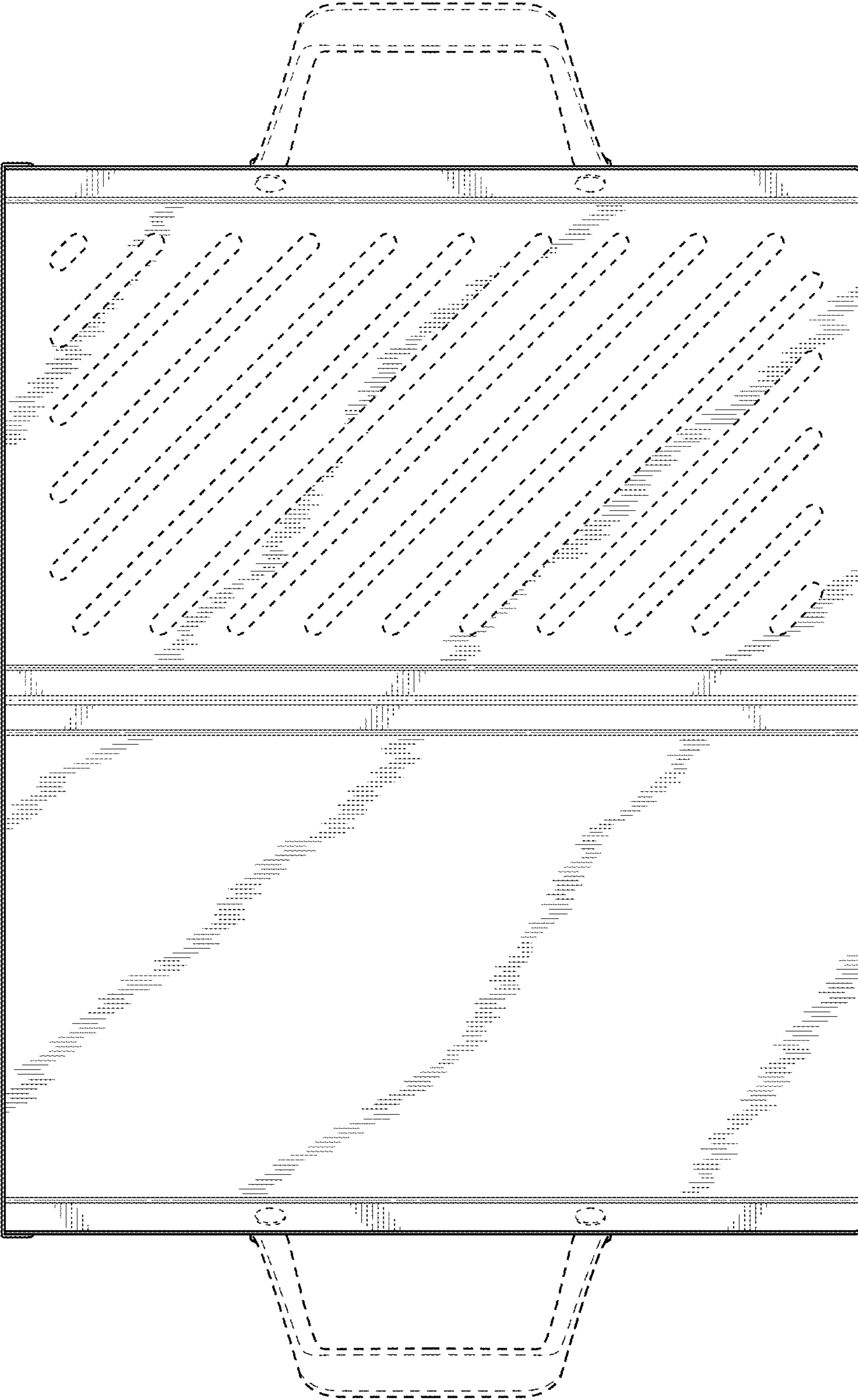


FIG. 6

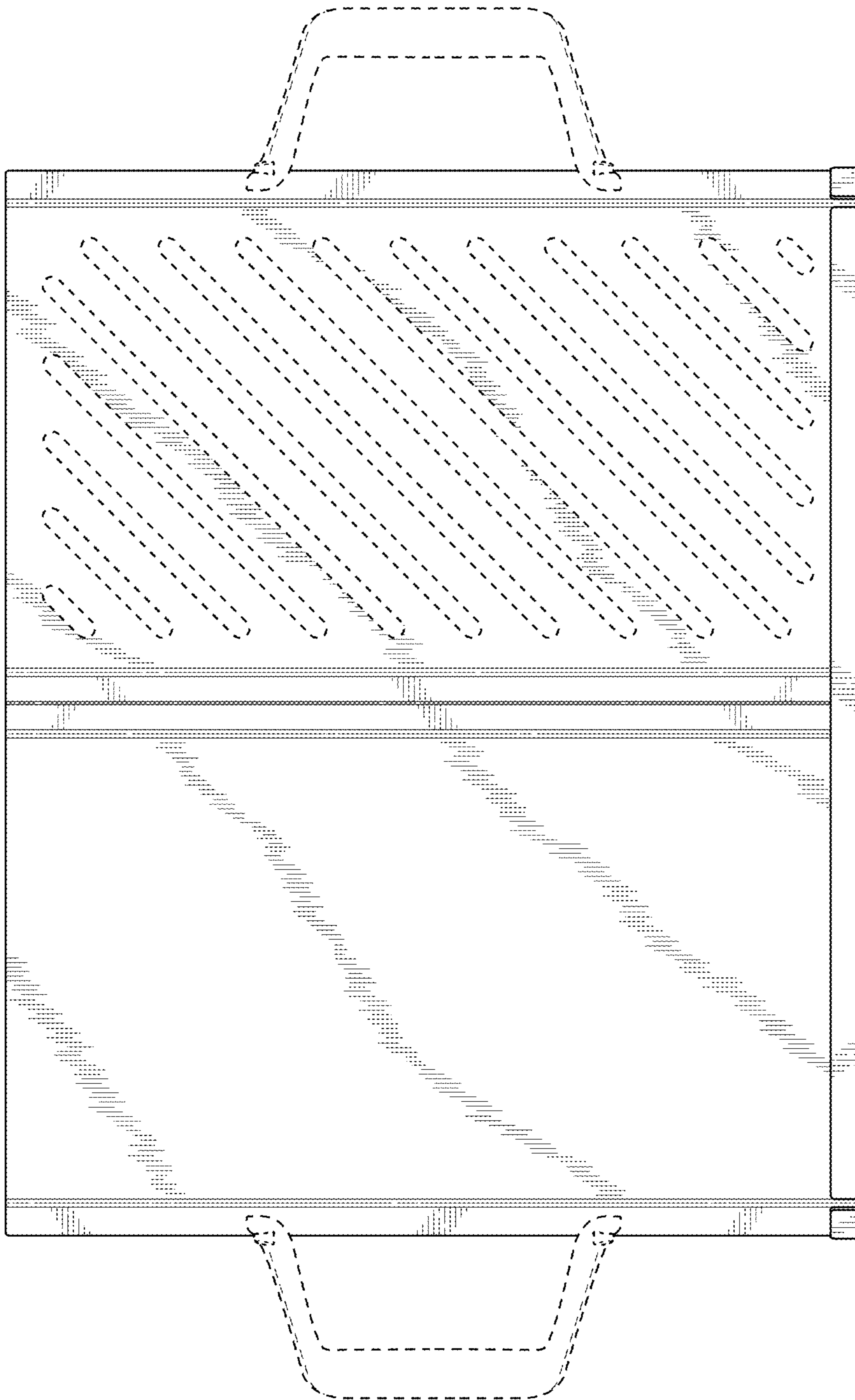


FIG. 7