



US00D784075S

(12) **United States Design Patent**
Kestenbaum

(10) **Patent No.:** **US D784,075 S**

(45) **Date of Patent:** **** Apr. 18, 2017**

(54) **WATER CONTAINER**

(71) Applicant: **SharkNinja Operating LLC**, Newton, MA (US)

(72) Inventor: **Daniel Kestenbaum**, Brookline, MA (US)

(73) Assignee: **SHARKNINJA OPERATING LLC**, Newton, MA (US)

(**) Term: **15 Years**

(21) Appl. No.: **29/530,398**

(22) Filed: **Jun. 16, 2015**

(51) **LOC (10) Cl.** **07-99**

(52) **U.S. Cl.**

USPC **D7/397; D7/401**

(58) **Field of Classification Search**

USPC D7/400, 397, 399, 313, 306-311, 312, D7/401; D9/549, 435, 520, 521, 772,
(Continued)

(56) **References Cited**

U.S. PATENT DOCUMENTS

D210,307 S * 2/1968 Breamscum D7/313
D211,855 S * 8/1968 Ulman D34/39
(Continued)

OTHER PUBLICATIONS

Canadian Intellectual Property Office Appln. No. 165397, Examiner's Report; Mail Date: May 9, 2016; 3 pages.

(Continued)

Primary Examiner — Marianne Pandozzi

(74) *Attorney, Agent, or Firm* — Cantor Colburn LLP

(57) **CLAIM**

We claim, the ornamental design for a water container, as shown and described.

DESCRIPTION

FIG. 1 is a perspective view of a water container showing our new design;

FIG. 2 is a front view of the embodiment shown in FIG. 1;

FIG. 3 is a back view of the embodiment shown in FIG. 1;

FIG. 4 is a top plan view of the embodiment shown in FIG. 1;

FIG. 5 is a bottom plan view of the embodiment shown in FIG. 1;

FIG. 6 is a side view of the embodiment shown in FIG. 1;

FIG. 7 is another side view of the embodiment shown in FIG. 1;

FIG. 8 is an environmental perspective view of the embodiment shown in FIG. 1 as shown at a reduced scale;

FIG. 9 is a perspective view of a water container showing a second embodiment of our new design;

FIG. 10 is a front view of the embodiment shown in FIG. 9;

FIG. 11 is a back view of the embodiment shown in FIG. 9;

FIG. 12 is a top plan view of the embodiment shown in FIG. 9;

FIG. 13 is a bottom plan view of the embodiment shown in FIG. 9;

FIG. 14 is a side view of the embodiment shown in FIG. 9;

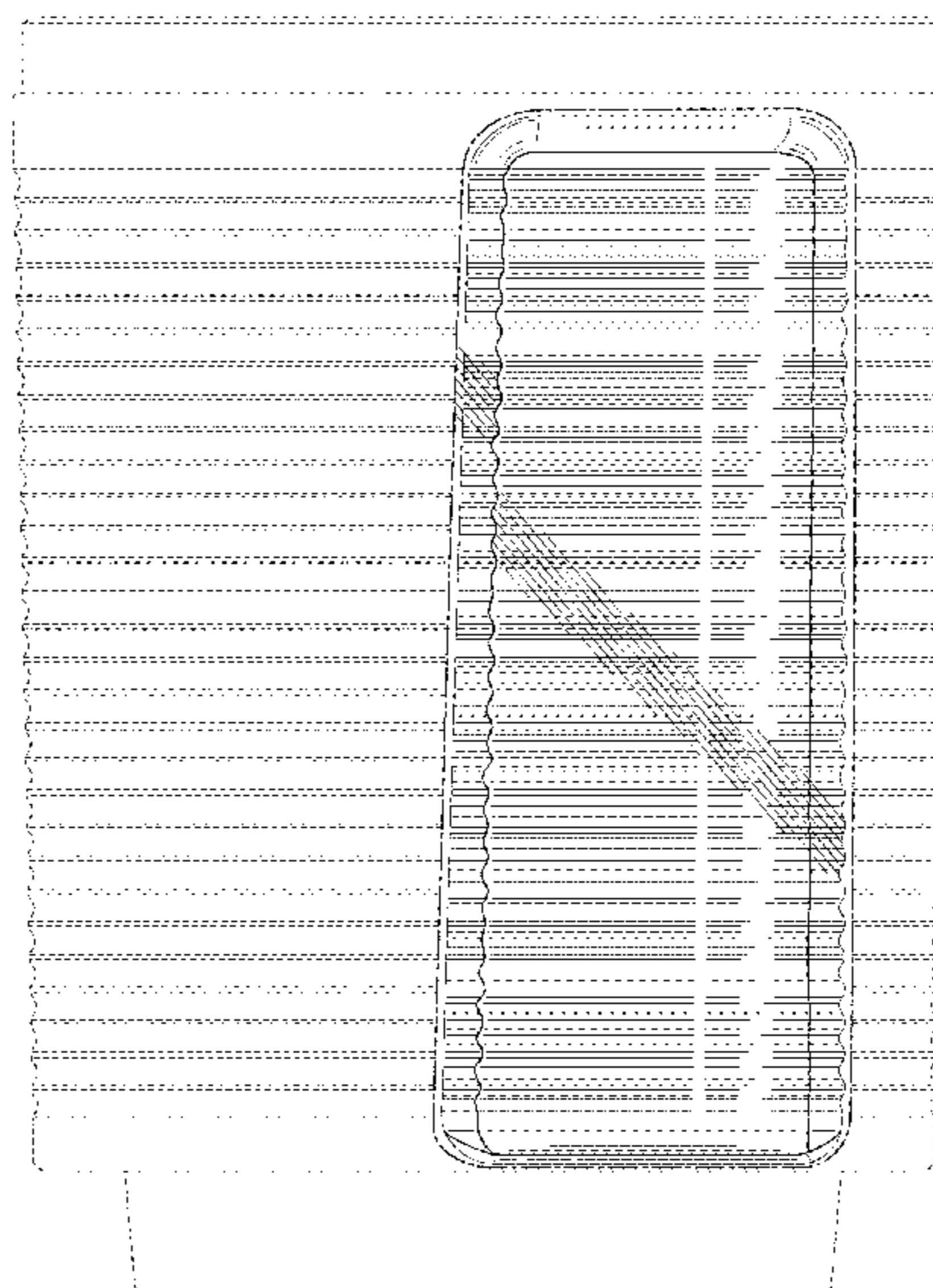
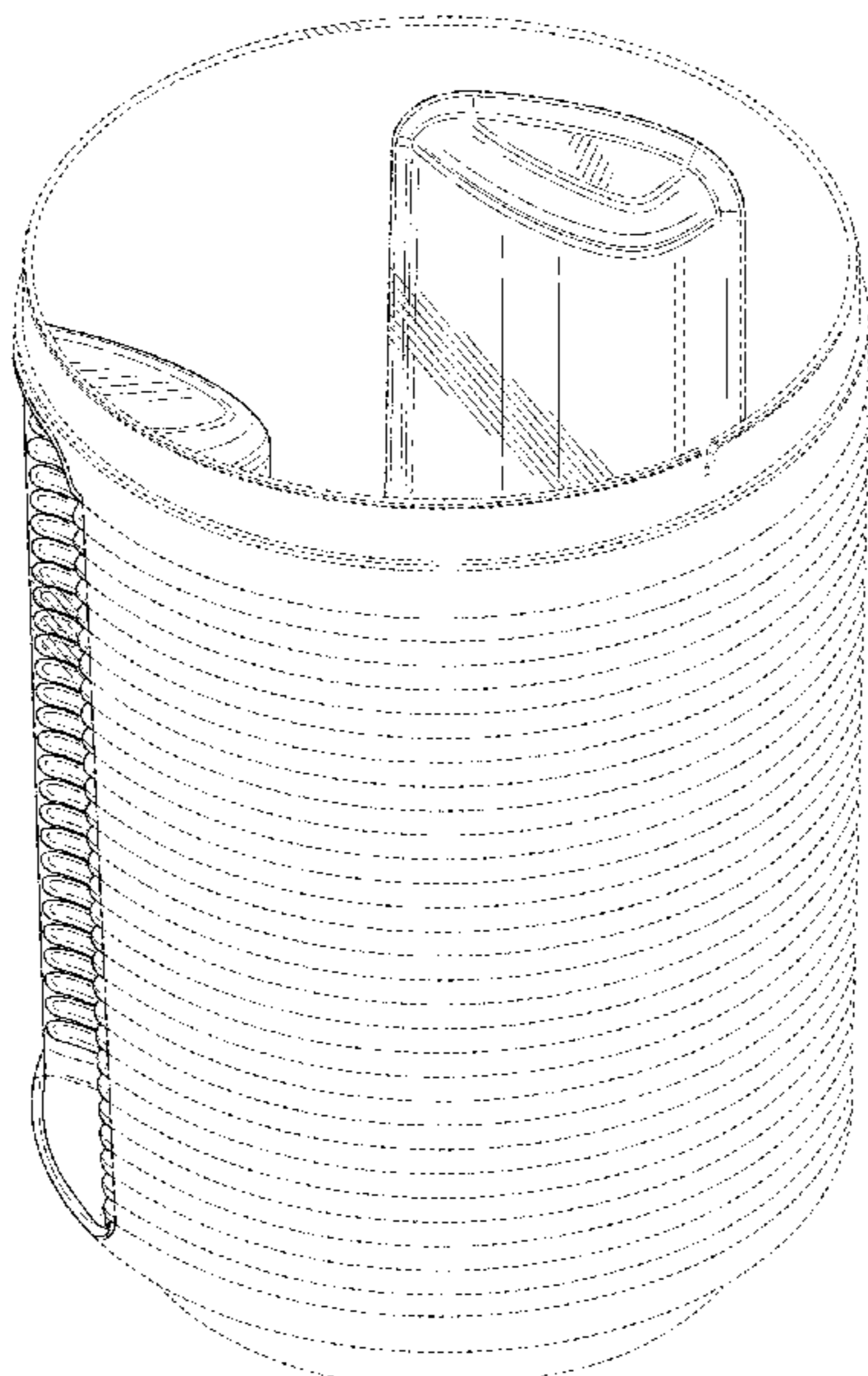
FIG. 15 is another side view of the embodiment shown in FIG. 9; and,

FIG. 16 is an environmental perspective view of the embodiment shown in FIG. 9 as shown at a reduced scale.

The broken lines are for environmental purpose only and form no part of the claimed design.

The dash-dot lines in the drawing represent the bounds of the claim and form no part of the claimed design.

1 Claim, 16 Drawing Sheets



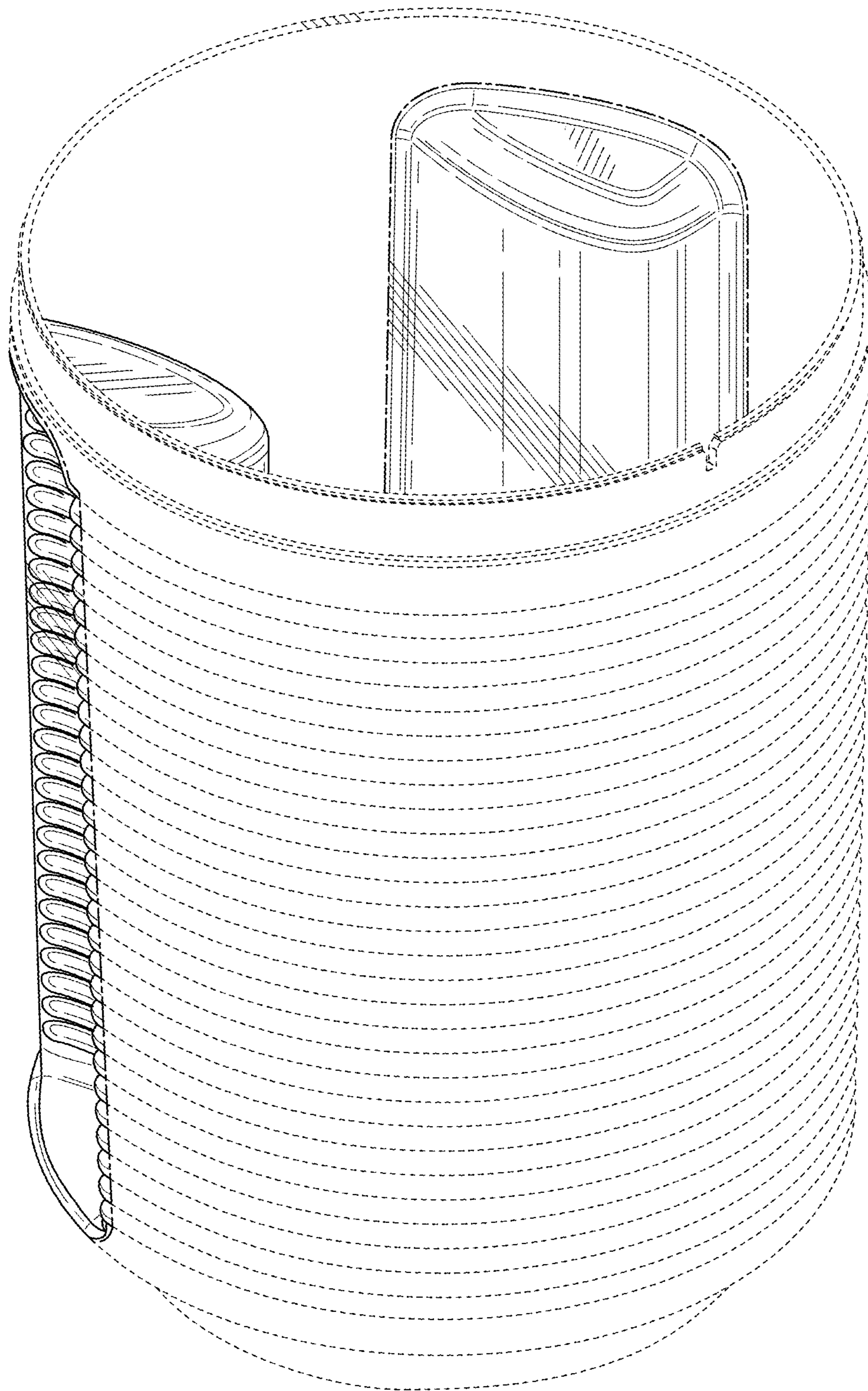


FIG. 1

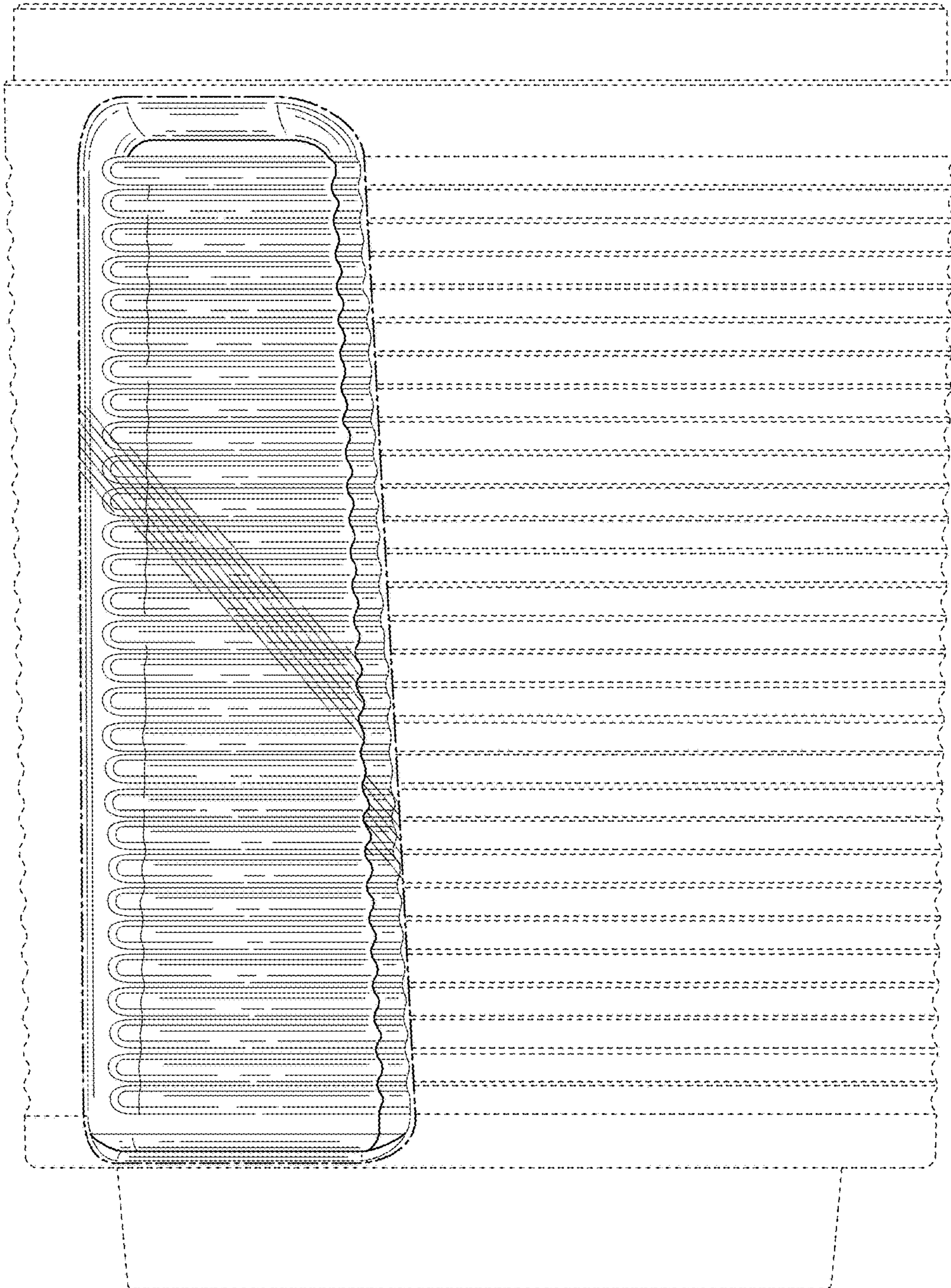


FIG. 2

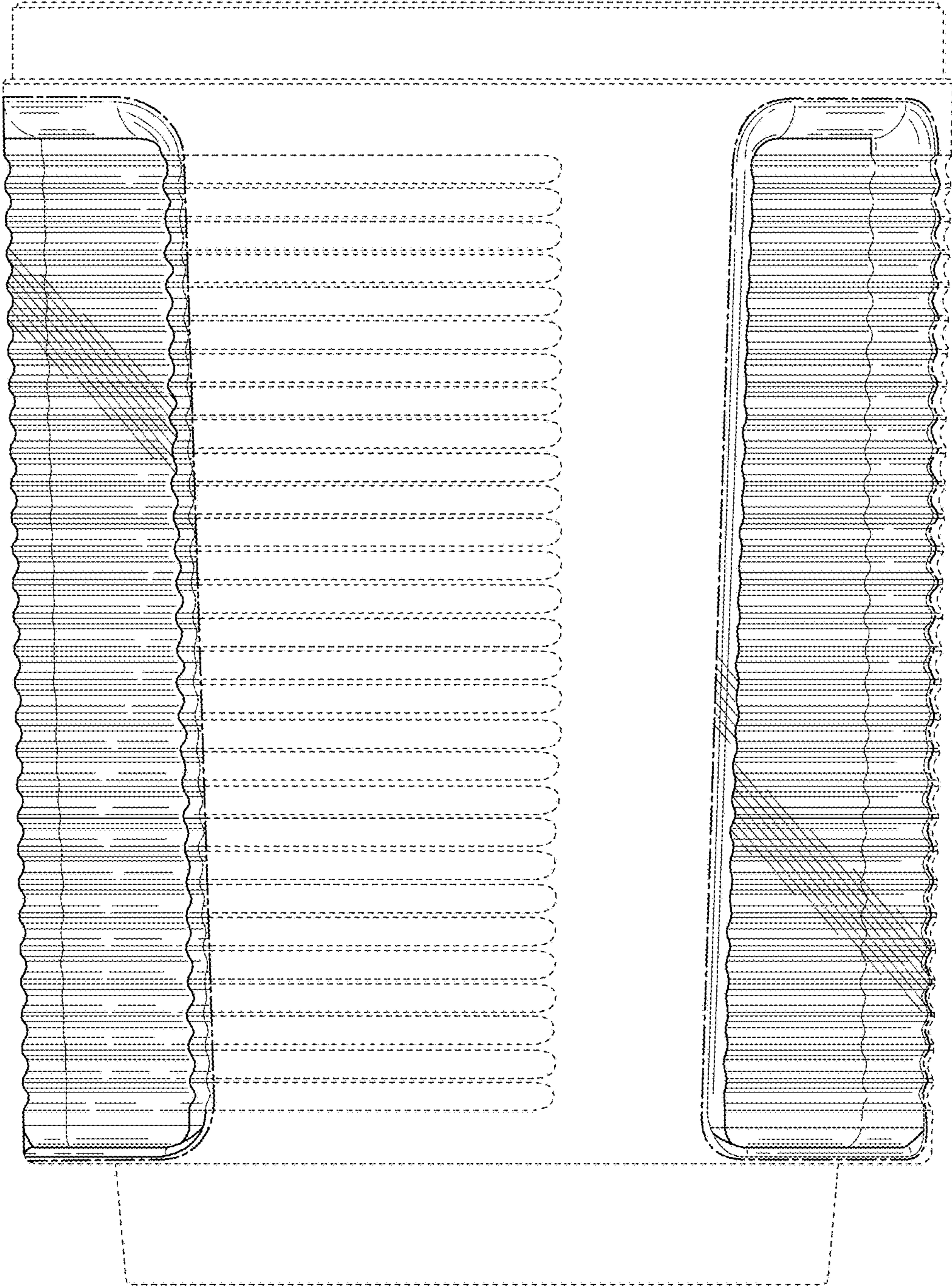


FIG. 3

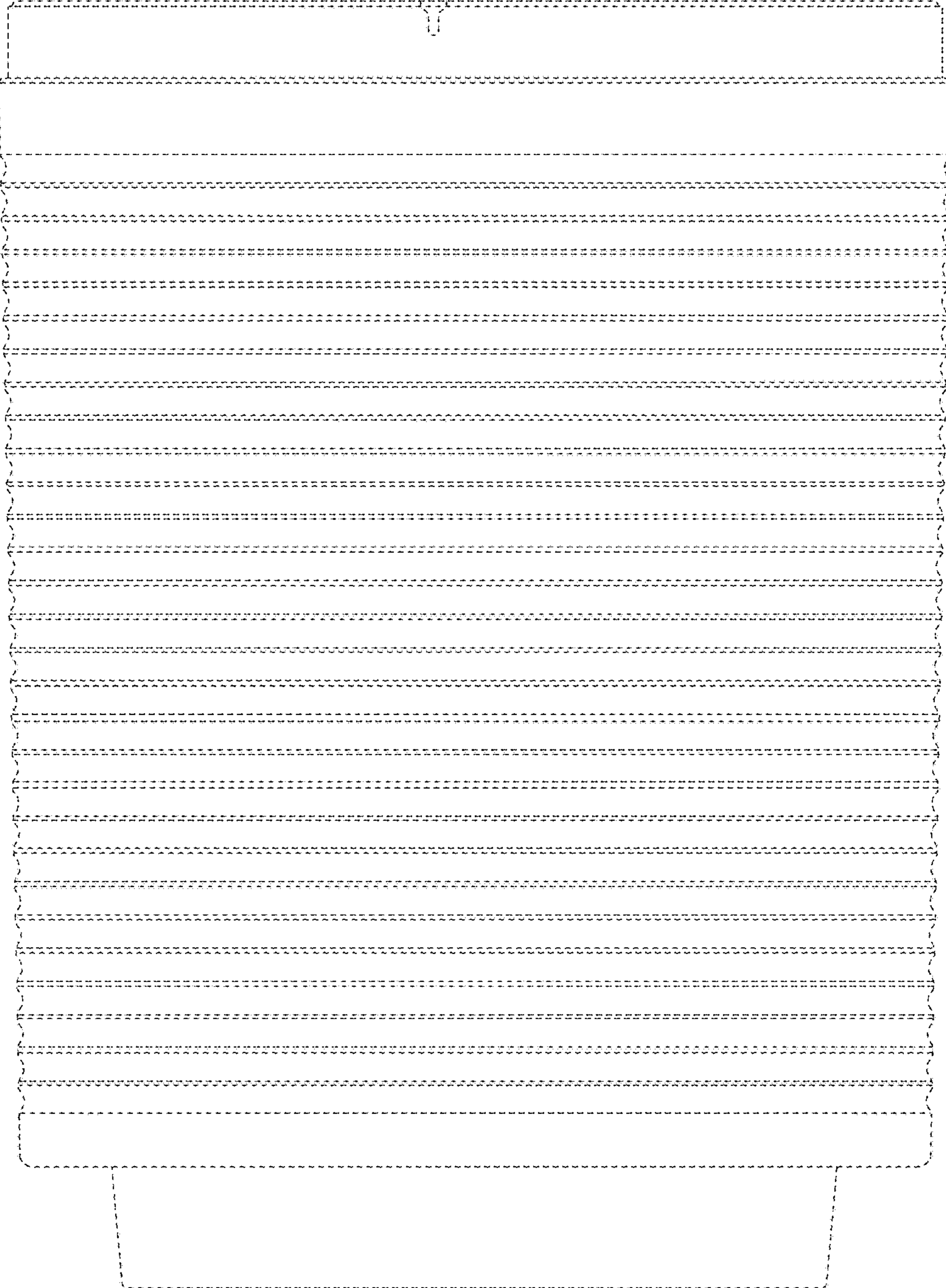


FIG. 4

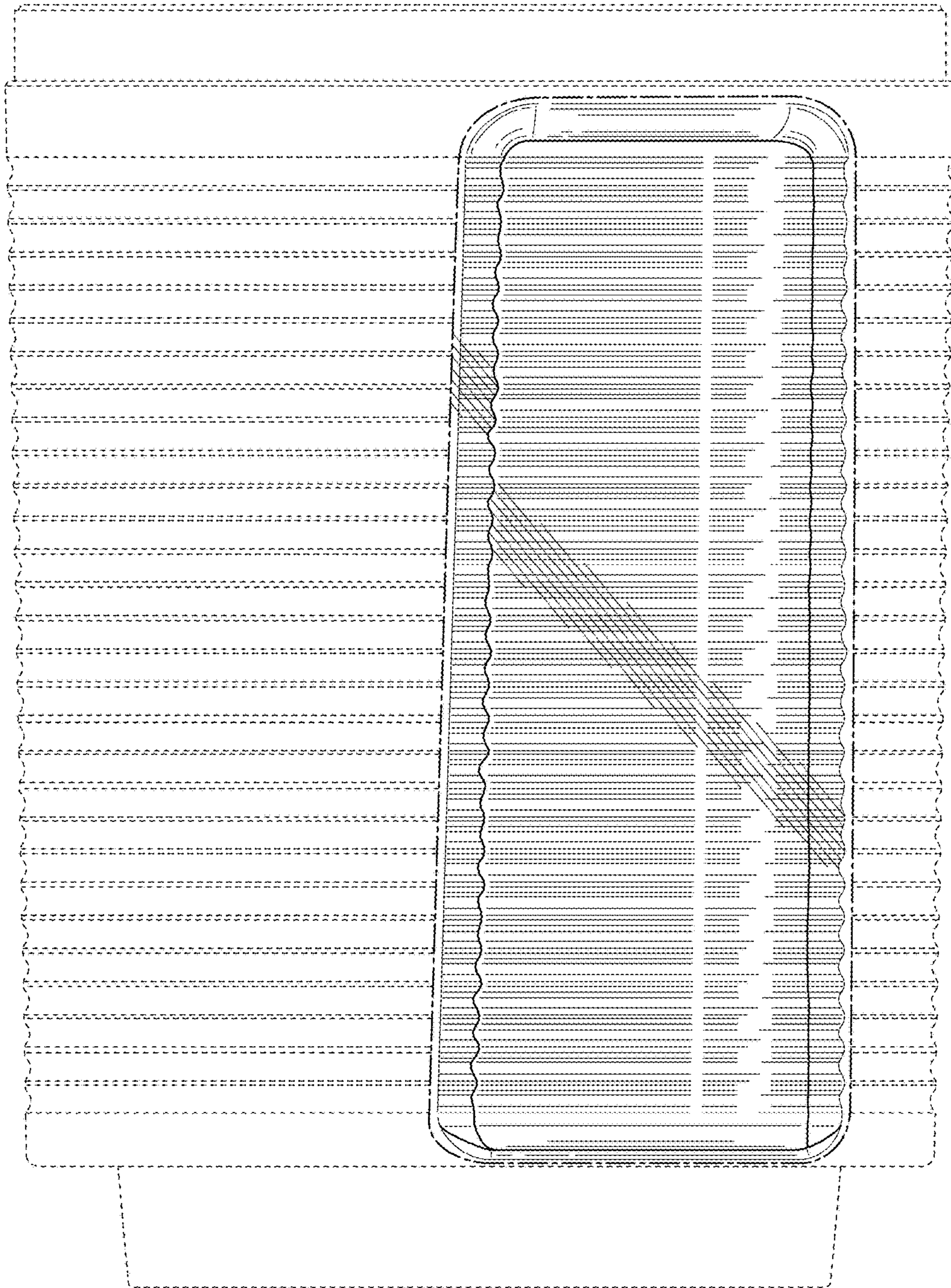


FIG. 5

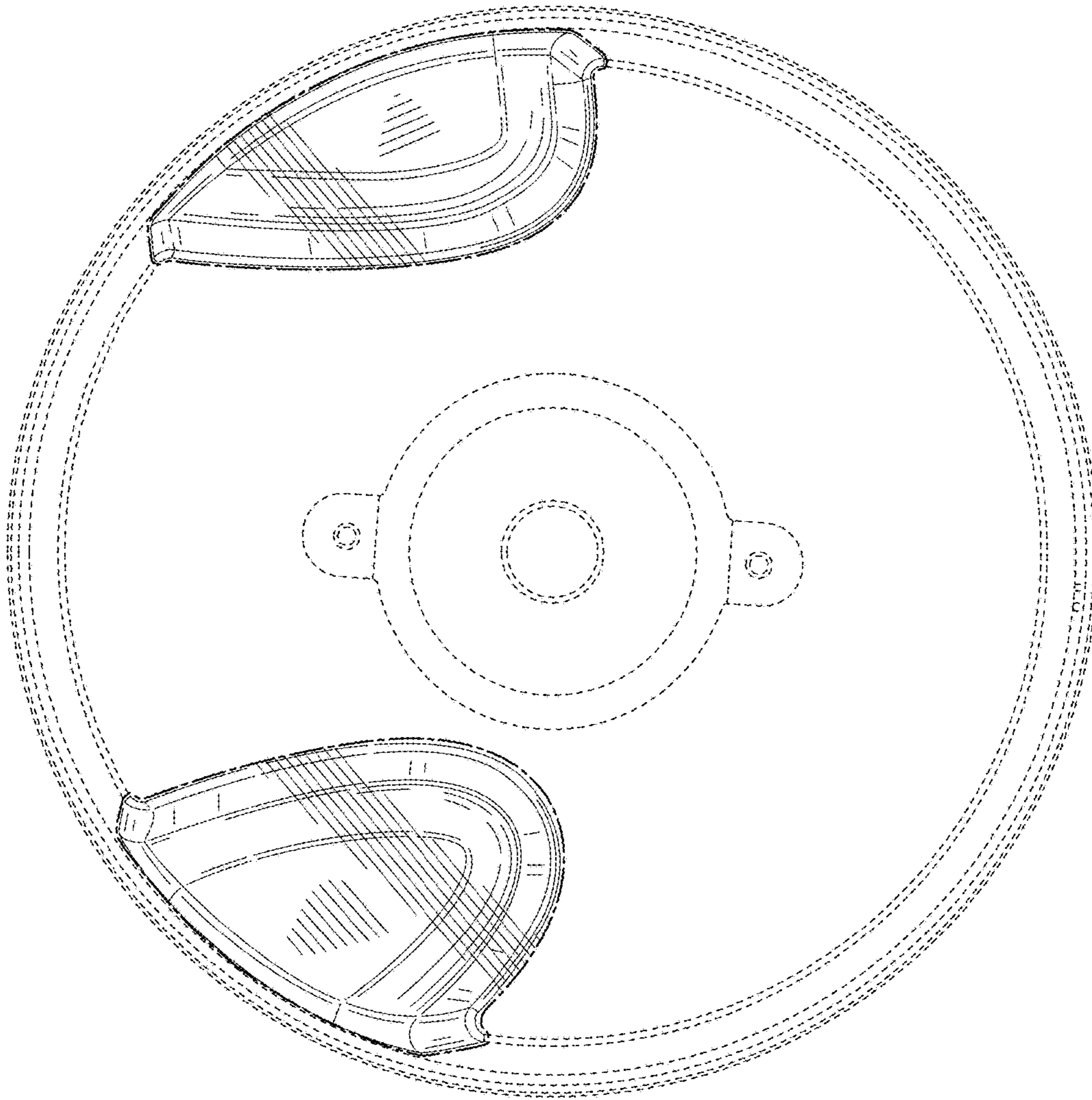


FIG. 6

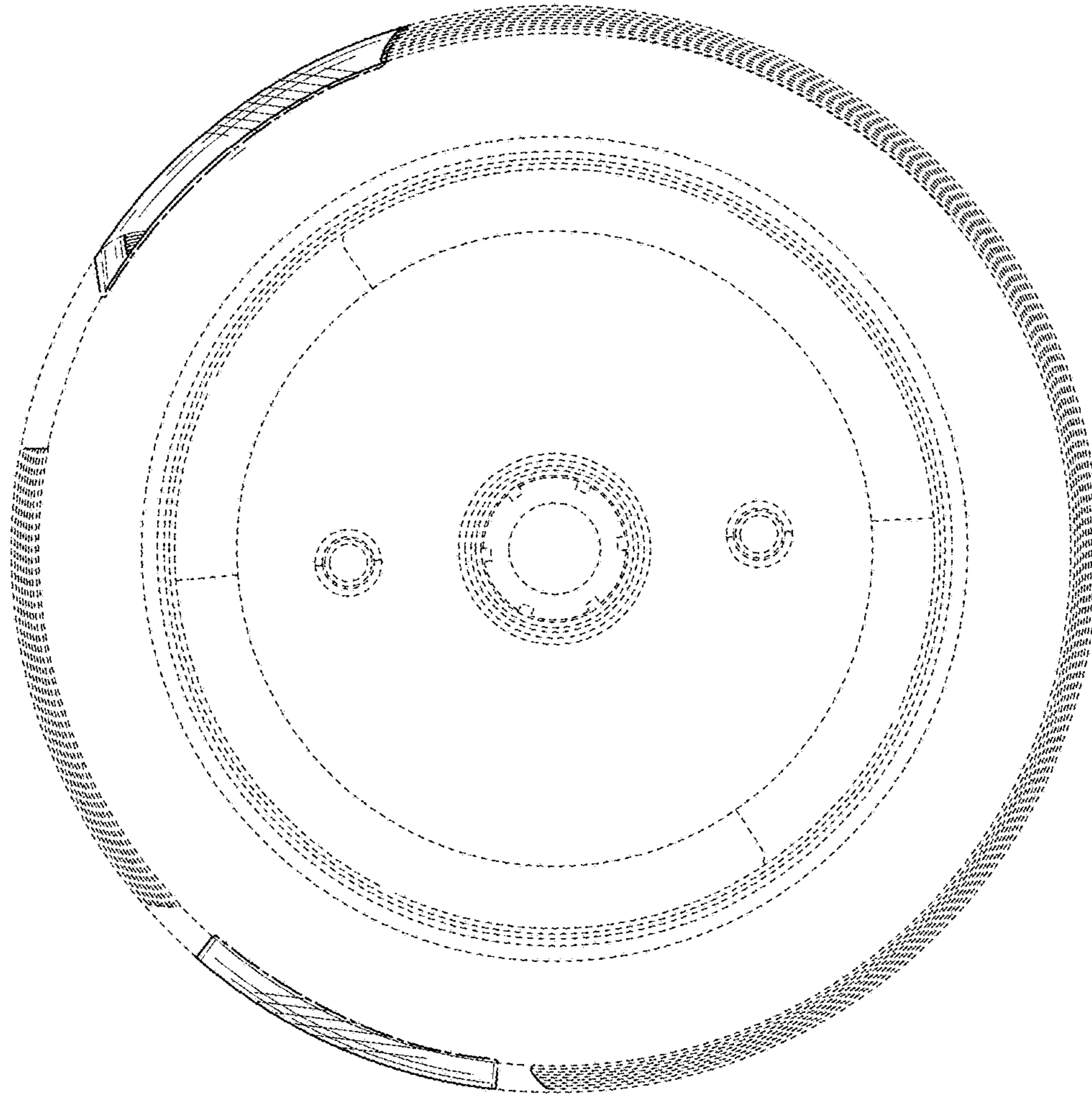


FIG. 7

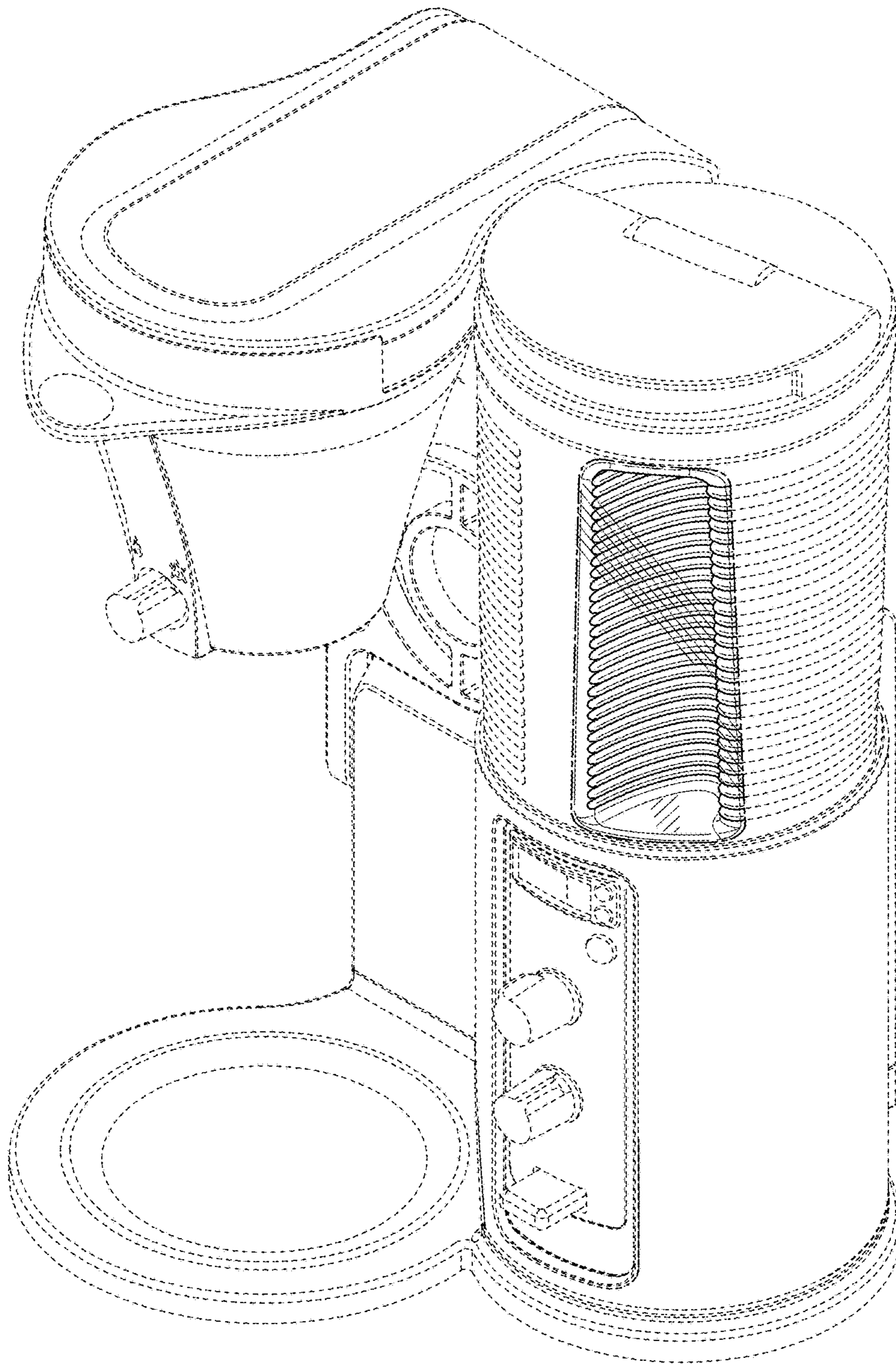


FIG. 8

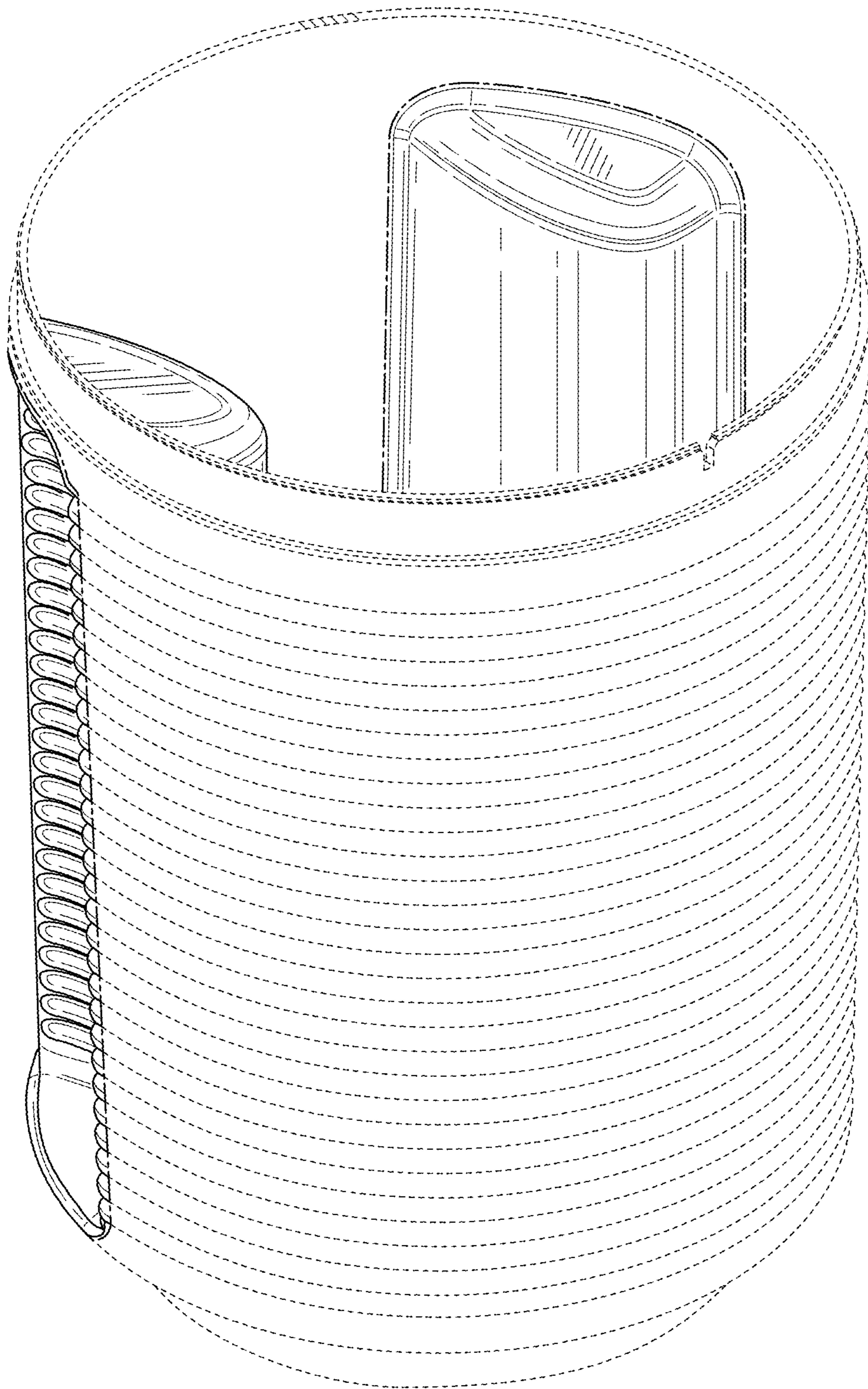


FIG. 9

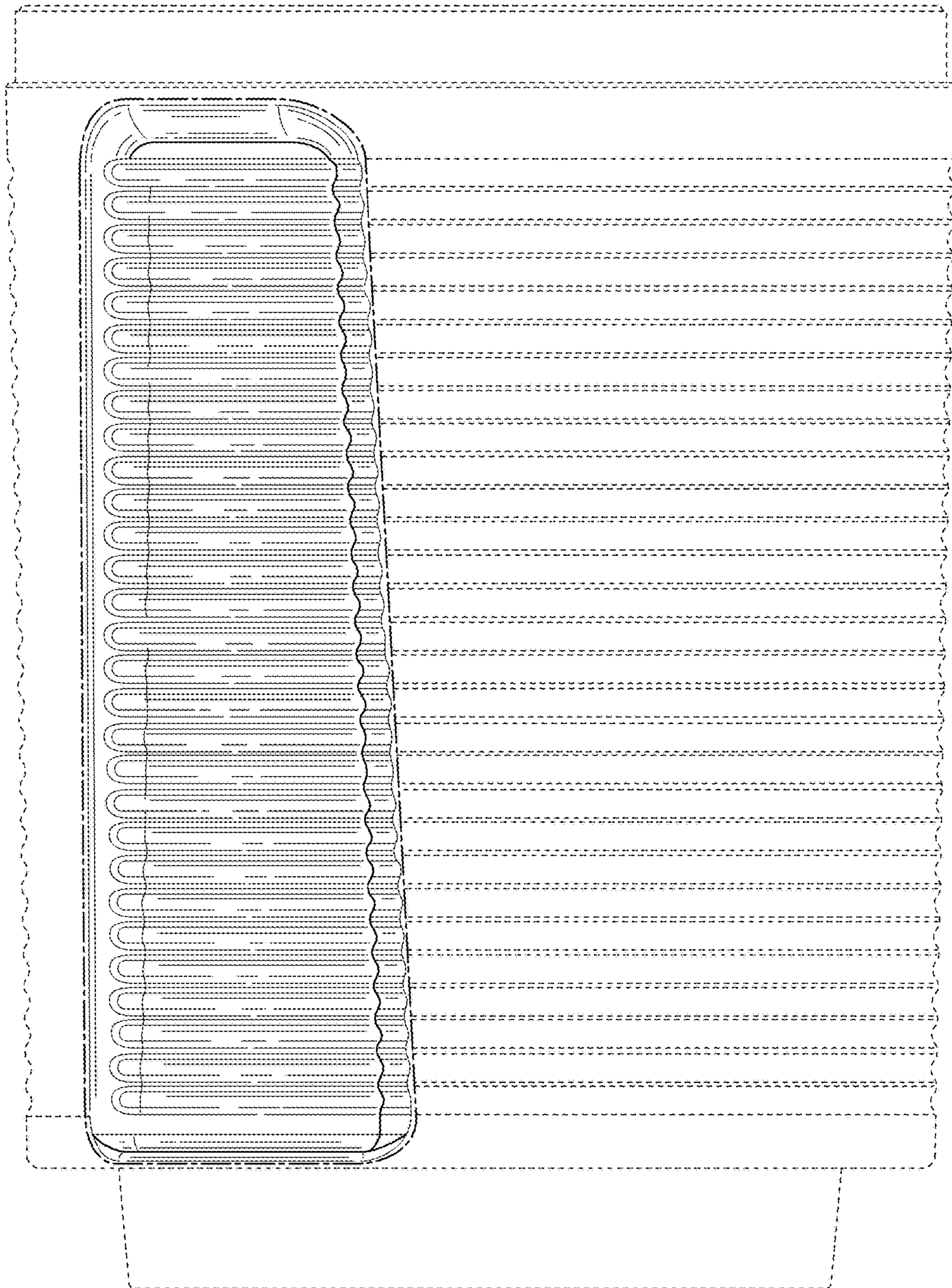


FIG. 10

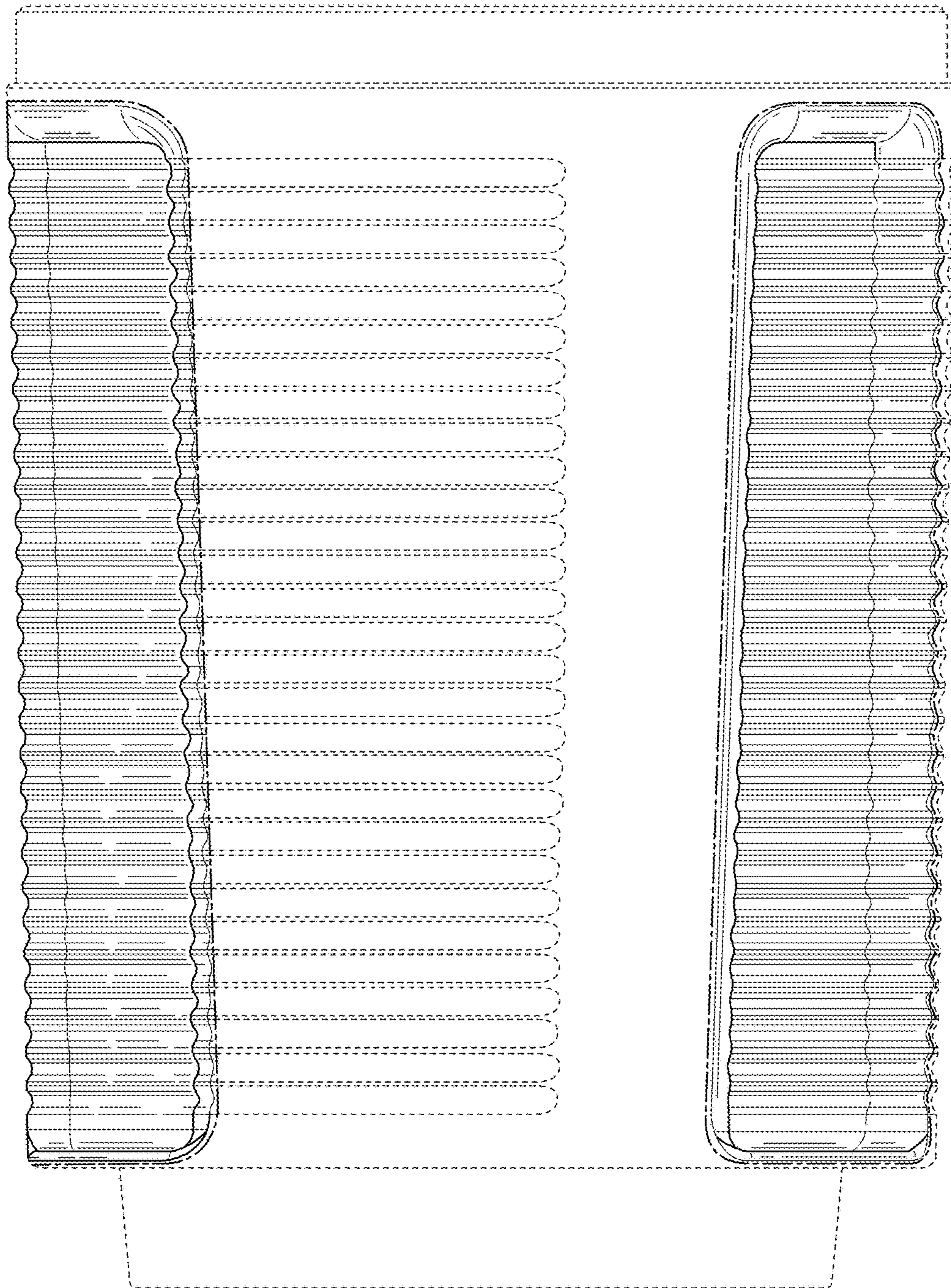


FIG. 11

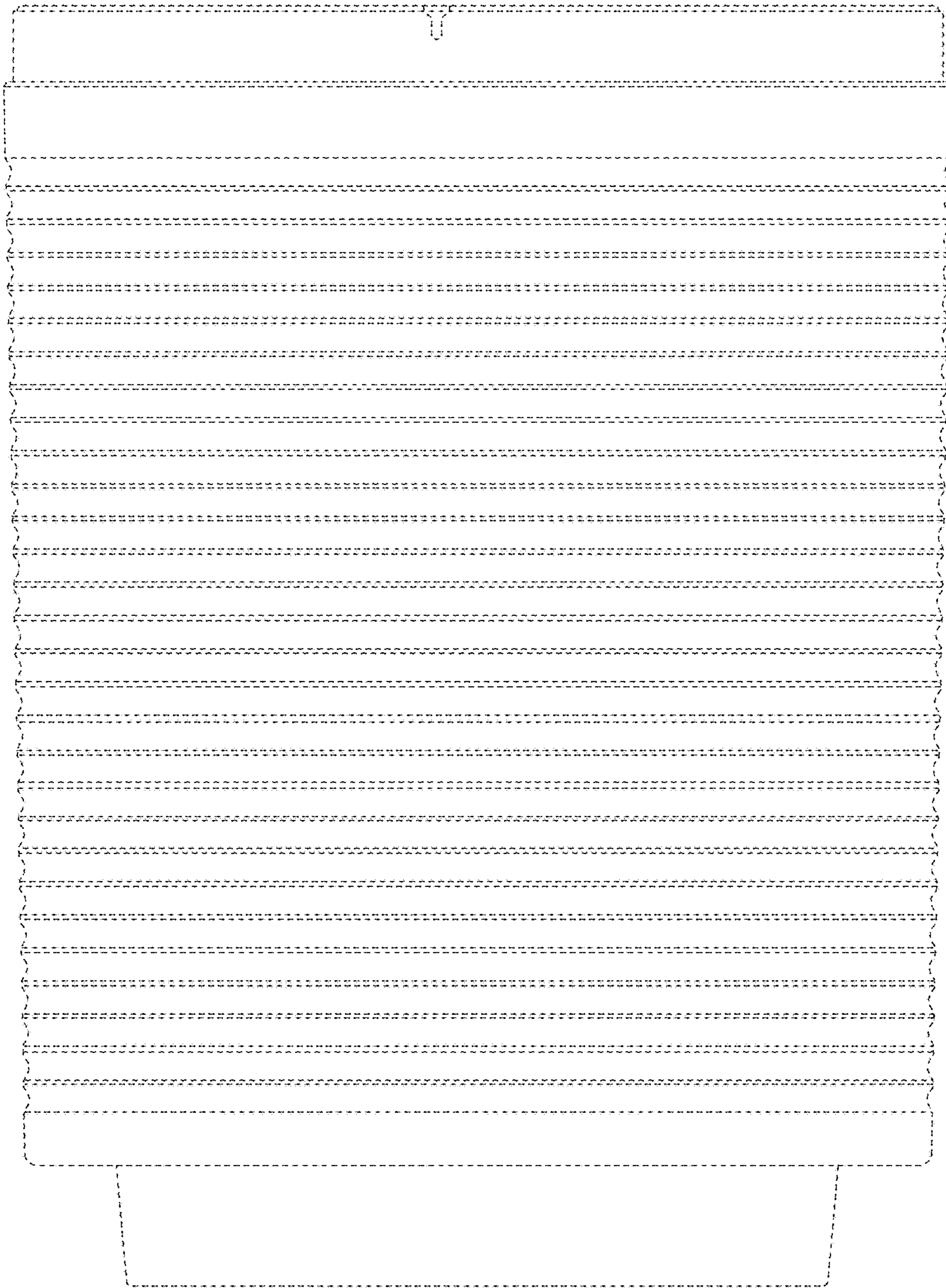


FIG. 12

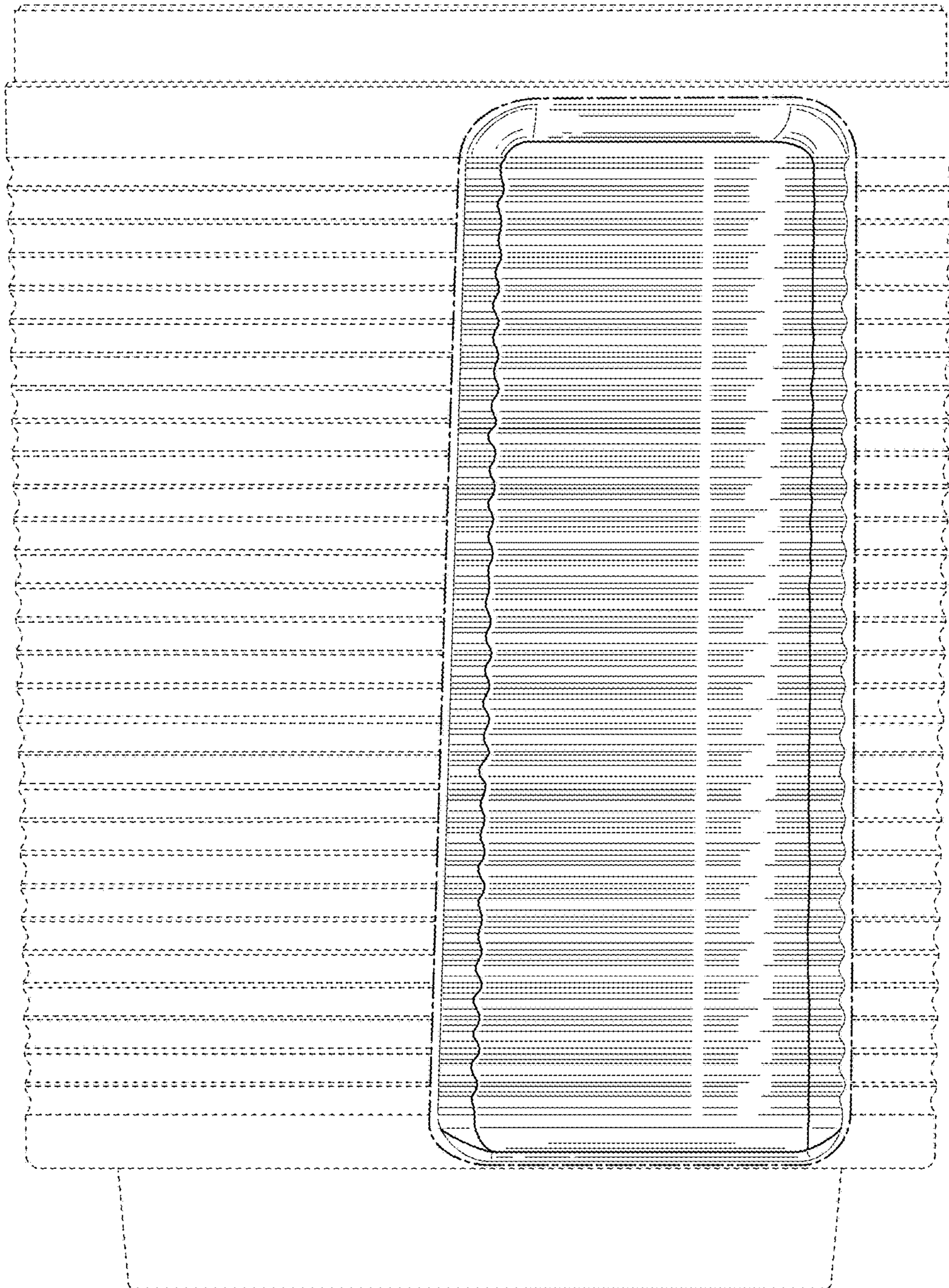


FIG. 13

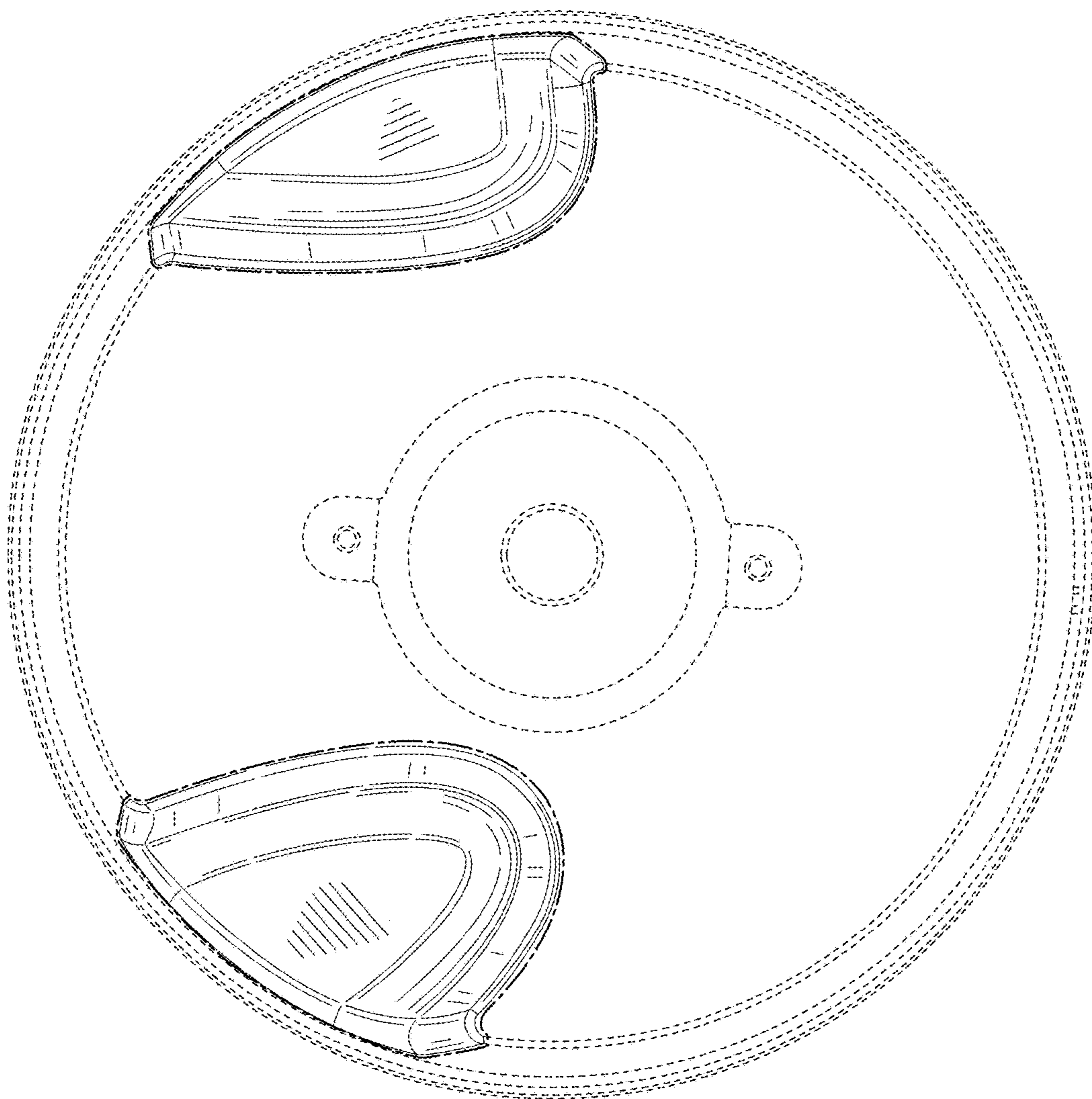


FIG. 14

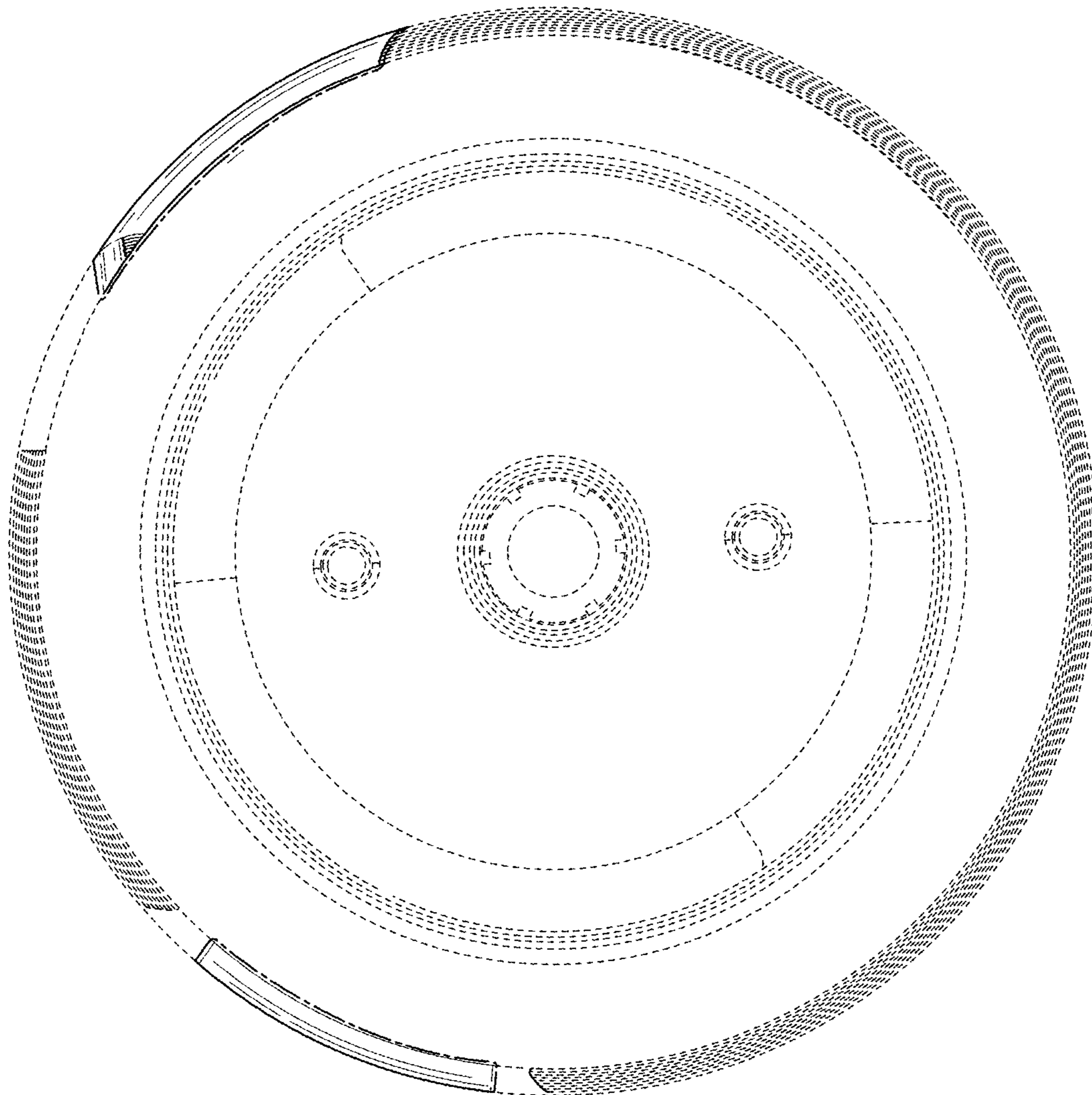


FIG. 15

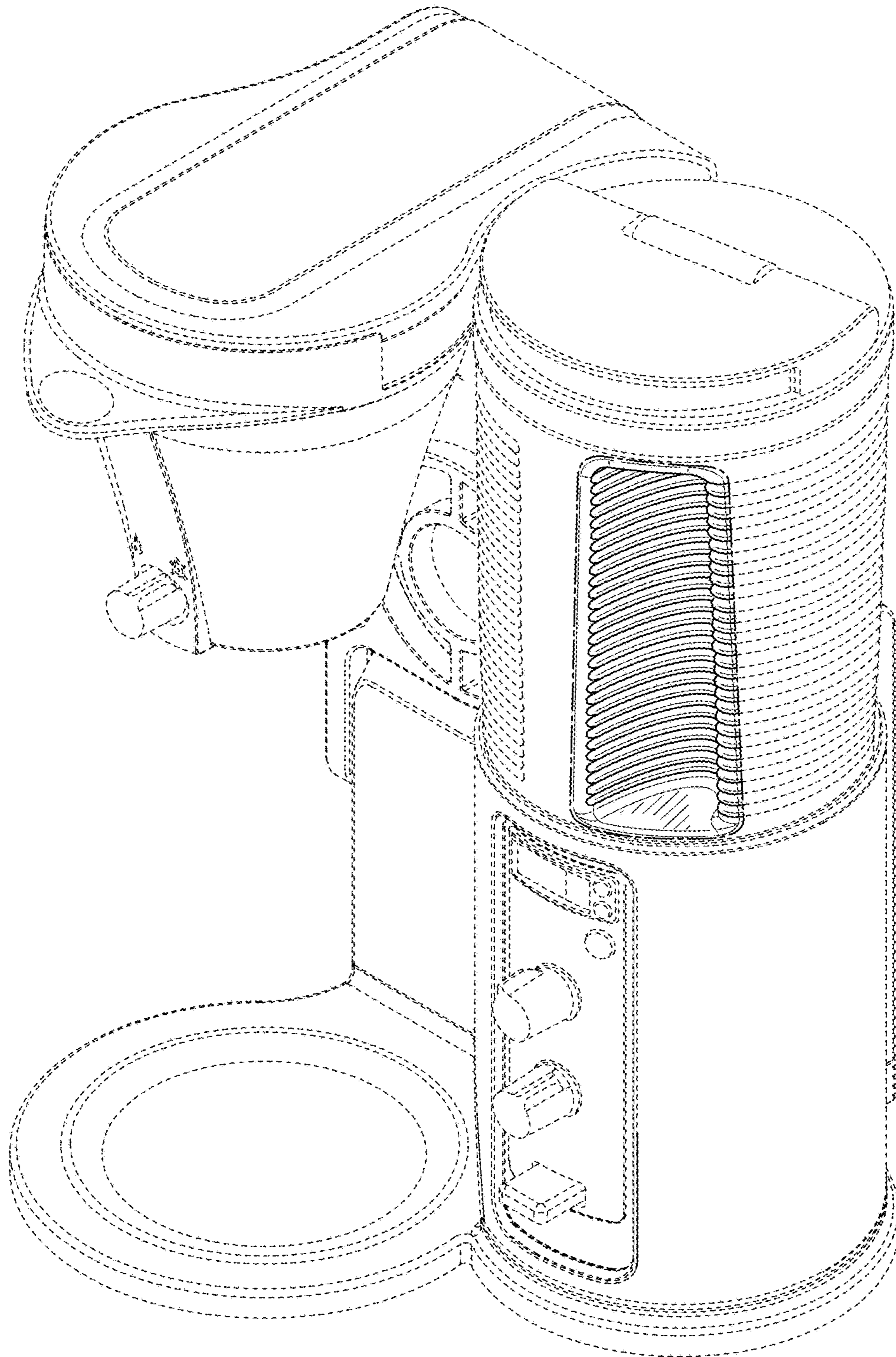


FIG. 16