



US00D784072S

(12) **United States Design Patent** (10) **Patent No.:** **US D784,072 S**
Baron et al. (45) **Date of Patent:** **** Apr. 18, 2017**

(54) **LID FOR A BEVERAGE CONTAINER**
(71) Applicant: **MAGICUP MARKETING LIMITED**,
Whetstone, Leicester (GB)
(72) Inventors: **Thomas Baron**, Leicester (GB);
Darren Parsons, Leicester (GB)
(73) Assignee: **MAGECUP LIMITED**, St. Ouen (JE)

3,360,161 A 12/1967 Smith
D219,898 S * 2/1971 Buckley D7/300.1
3,730,399 A 5/1973 Dibrell et al.
4,130,215 A 12/1978 Corey et al.
4,394,928 A 7/1983 Philip
D283,677 S * 5/1986 Fortuna D7/511
D285,656 S * 9/1986 Champion D7/511
D299,010 S * 12/1988 Wall D9/435
4,881,655 A 11/1989 Jansky et al.

(Continued)

(**) Term: **15 Years**

FOREIGN PATENT DOCUMENTS

(21) Appl. No.: **29/534,555**

JP 10029657 A 2/1998

(22) Filed: **Jul. 29, 2015**

OTHER PUBLICATIONS

(30) **Foreign Application Priority Data**

Office Action issued Oct. 1, 2013 for U.S. Appl. No. 12/452,993, 8 pages.

Jan. 30, 2015 (EM) 002624155-0001
Jan. 30, 2015 (EM) 002624155-0002

(Continued)

(51) **LOC (10) Cl.** **07-01**

Primary Examiner — Marianne Pandozzi

(52) **U.S. Cl.**

Assistant Examiner — Jae Liang

USPC **D7/392.1**; D7/396.2; D9/454

(74) *Attorney, Agent, or Firm* — Smith IP Services, P.C.

(58) **Field of Classification Search**

(57) **CLAIM**

USPC D7/507, 510, 511, 523, 531, 532, 300.1,
D7/591, 300.2, 608, 629, 387, 392.1,
D7/396.2, 396.3, 665; D9/503, 435, 436,
D9/440, 447, 449, 905, 454, 427, 446,
D9/443; 220/200, 703, 705, 592.16,
220/596.17, 495.03, 62.12; 215/45, 206,
215/224, 240, 305; 206/154, 156
CPC A47G 19/2211; A47G 19/2266; A47G
19/22; A45F 3/16; A37G 19/2272; B65D
51/18; B65D 43/02; B65D 47/08; B65D
41/56

The ornamental design for a lid for a beverage container, as shown and described.

See application file for complete search history.

DESCRIPTION

FIG. 1 is a front perspective view of a lid for a beverage container showing our new design;
FIG. 2 is a bottom perspective view thereof;
FIG. 3 is a left side elevational view thereof;
FIG. 4 is a right side elevational view thereof;
FIG. 5 is a top view thereof;
FIG. 6 is a bottom view thereof; and,
FIG. 7 is a rear perspective view of the lid in its opened position in use.

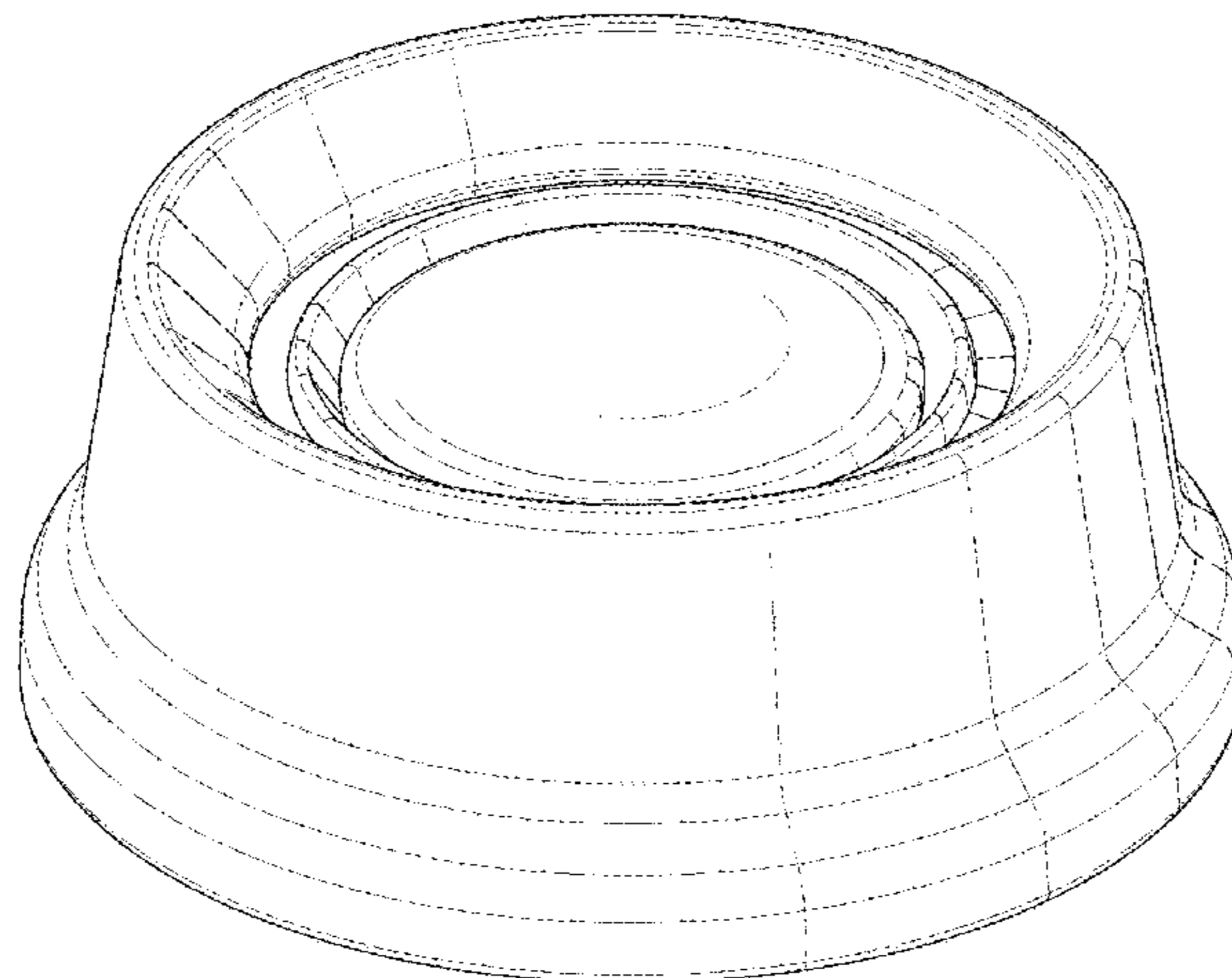
The broken lines in the drawing depict portions of the lid for a beverage container that form no part of the claimed design.

(56) **References Cited**

U.S. PATENT DOCUMENTS

1,254,251 A 1/1918 Magnus
2,675,815 A 4/1954 Dale

1 Claim, 6 Drawing Sheets



(56)

References Cited

U.S. PATENT DOCUMENTS

D309,553 S * 7/1990 Daenen D7/591
 4,942,976 A 7/1990 Spencer
 5,246,124 A 9/1993 Battezzore
 5,249,703 A 10/1993 Karp
 5,540,350 A 7/1996 Lansky
 D374,147 S * 10/1996 Lillelund D7/300.1
 5,573,139 A 11/1996 Yeh
 D395,118 S * 6/1998 Cramer D17/22
 5,979,689 A 11/1999 Lansky
 D452,826 S * 1/2002 Bezek D9/503
 D457,034 S * 5/2002 Bodum D7/395
 7,168,589 B2 * 1/2007 Dark A47G 19/2272
 220/711
 D590,662 S * 4/2009 Cheng D7/509
 D622,547 S * 8/2010 Carreno D7/510
 D623,474 S * 9/2010 Carlson D7/510
 D627,196 S * 11/2010 George D7/510
 D632,174 S * 2/2011 Charbonnet D9/447
 8,272,525 B1 * 9/2012 La Torre A47G 19/2272
 220/254.1

8,424,711 B2 * 4/2013 Charbonnet B65D 43/0208
 220/703
 D702,086 S * 4/2014 Thurlow D7/510
 D744,281 S * 12/2015 Dunn D7/510
 D744,335 S * 12/2015 Rigollet D9/436
 9,204,746 B2 * 12/2015 Trudeau A47G 19/2272
 D760,542 S * 7/2016 Vu D7/510
 D762,080 S * 7/2016 Liebowitz D7/300.1
 D766,716 S * 9/2016 Logel D9/434
 2006/0243734 A1 * 11/2006 Tedford B65D 47/06
 220/780
 2015/0090714 A1 4/2015 Masurier

OTHER PUBLICATIONS

Office Action issued May 7, 2014 for U.S. Appl. No. 12/452,993, 8 pages.
 Office Action issued Mar. 16, 2015 for U.S. Appl. No. 14/565,620, 12 pages.
 Office Action issued Sep. 29, 2015 for U.S. Appl. No. 14/565,620, 11 pages.

* cited by examiner

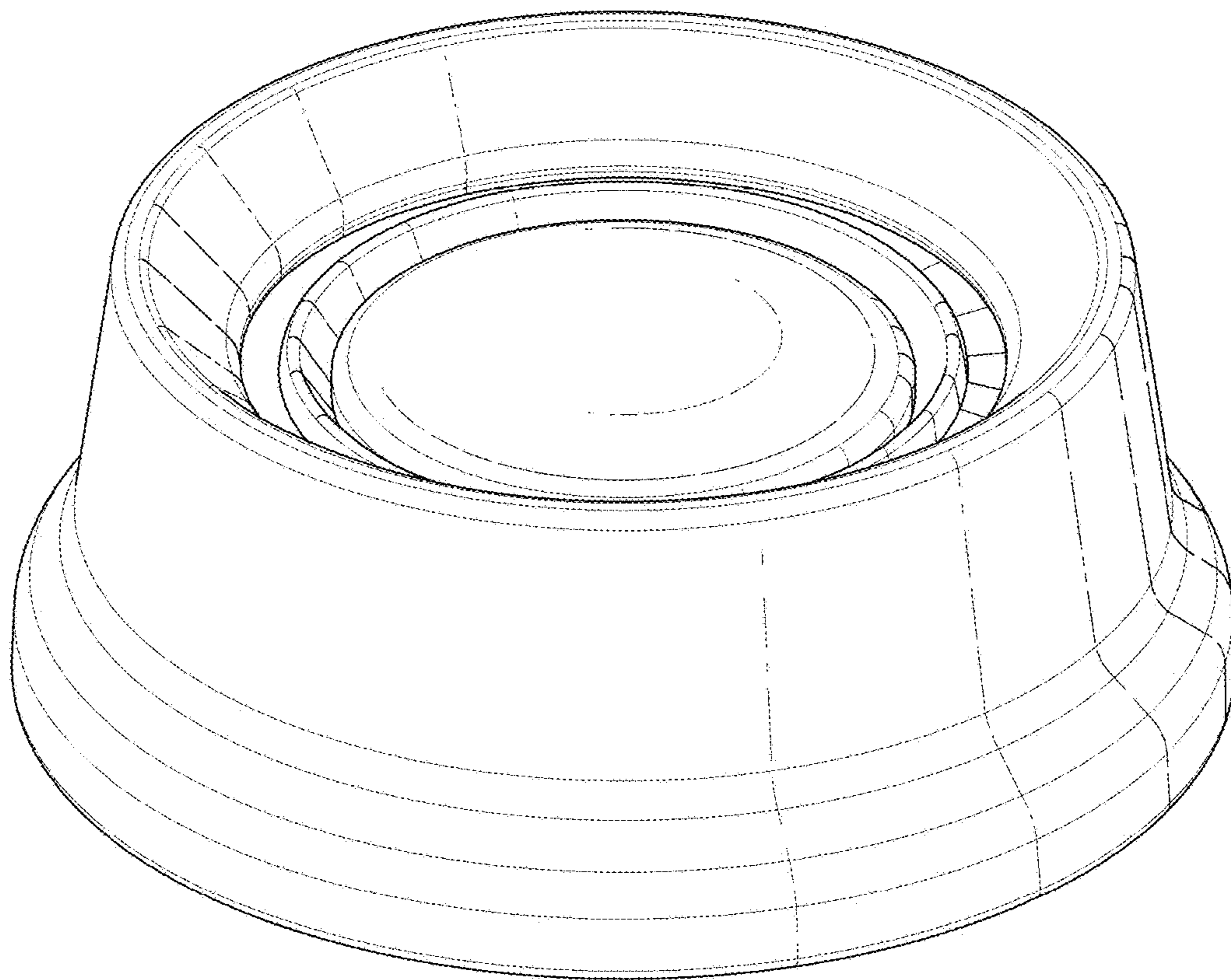


FIG. 1

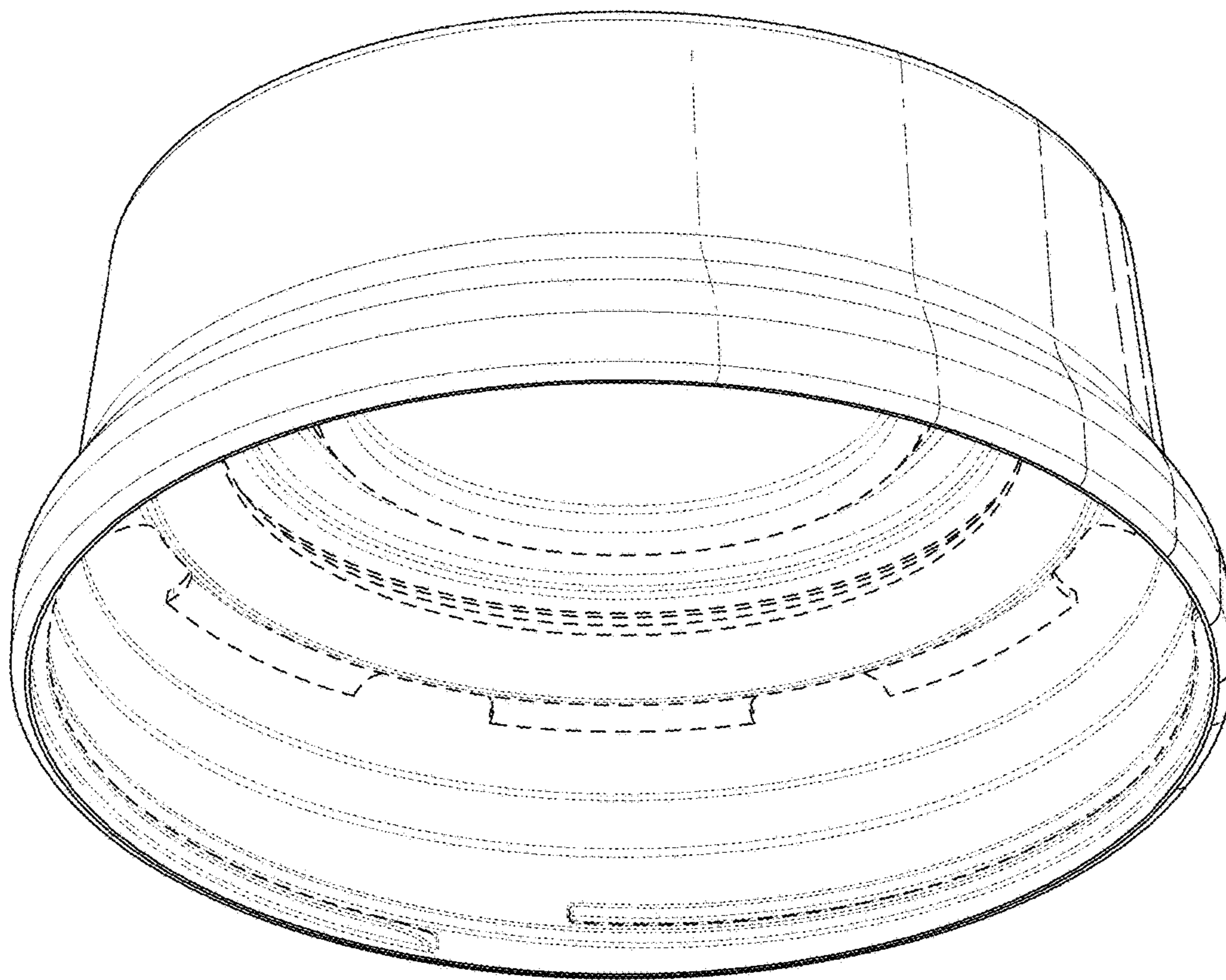


FIG. 2

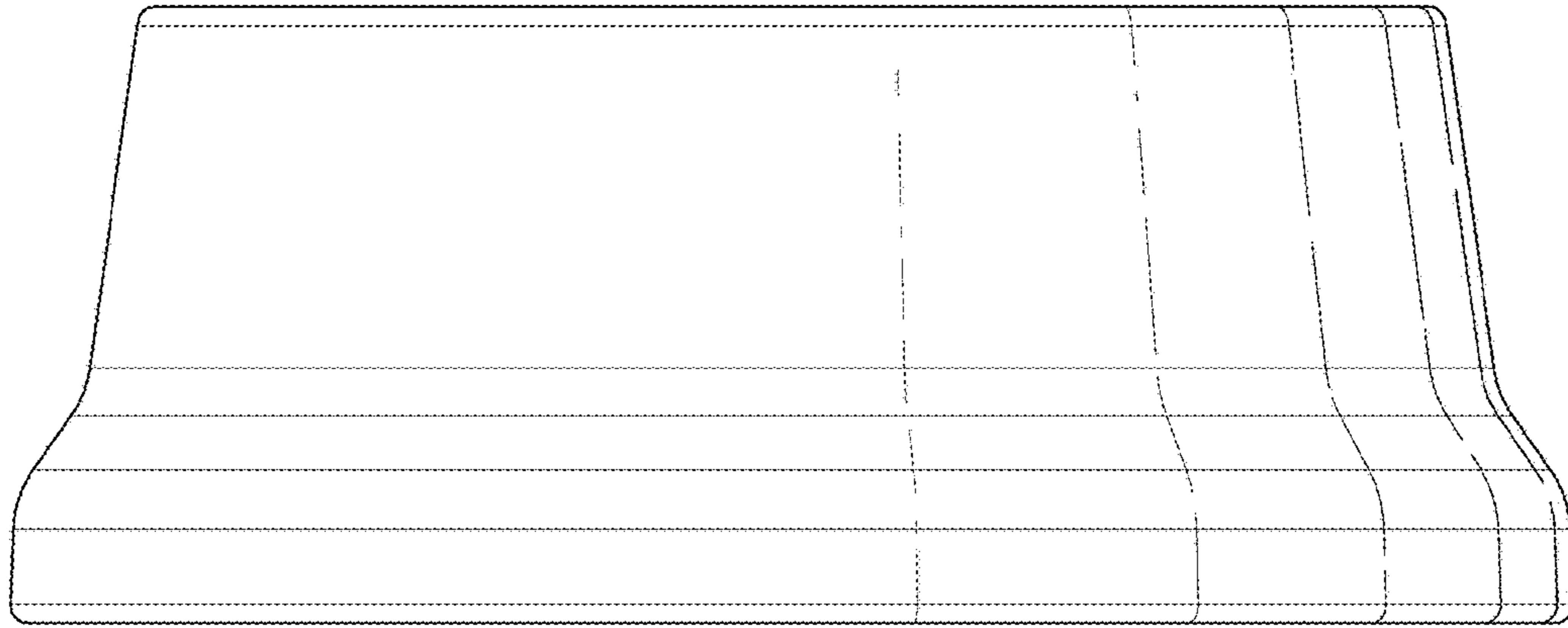


FIG. 3

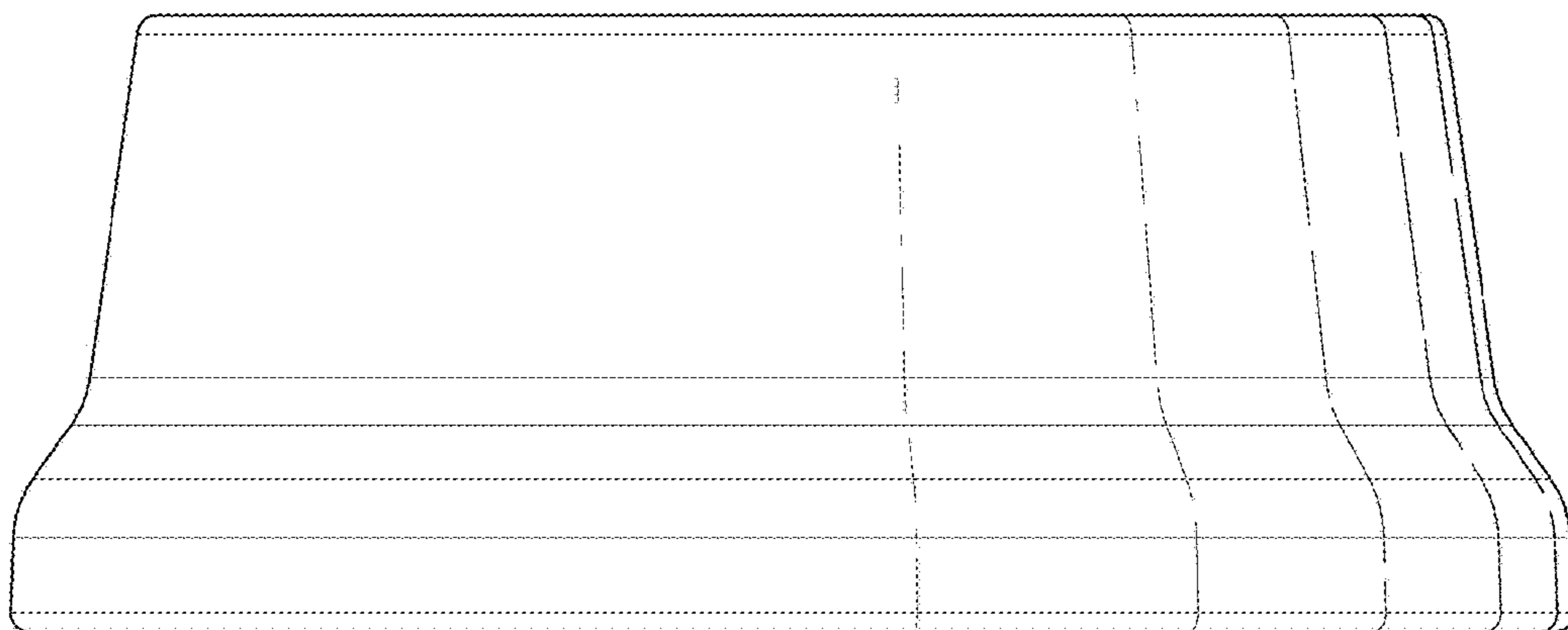


FIG. 4

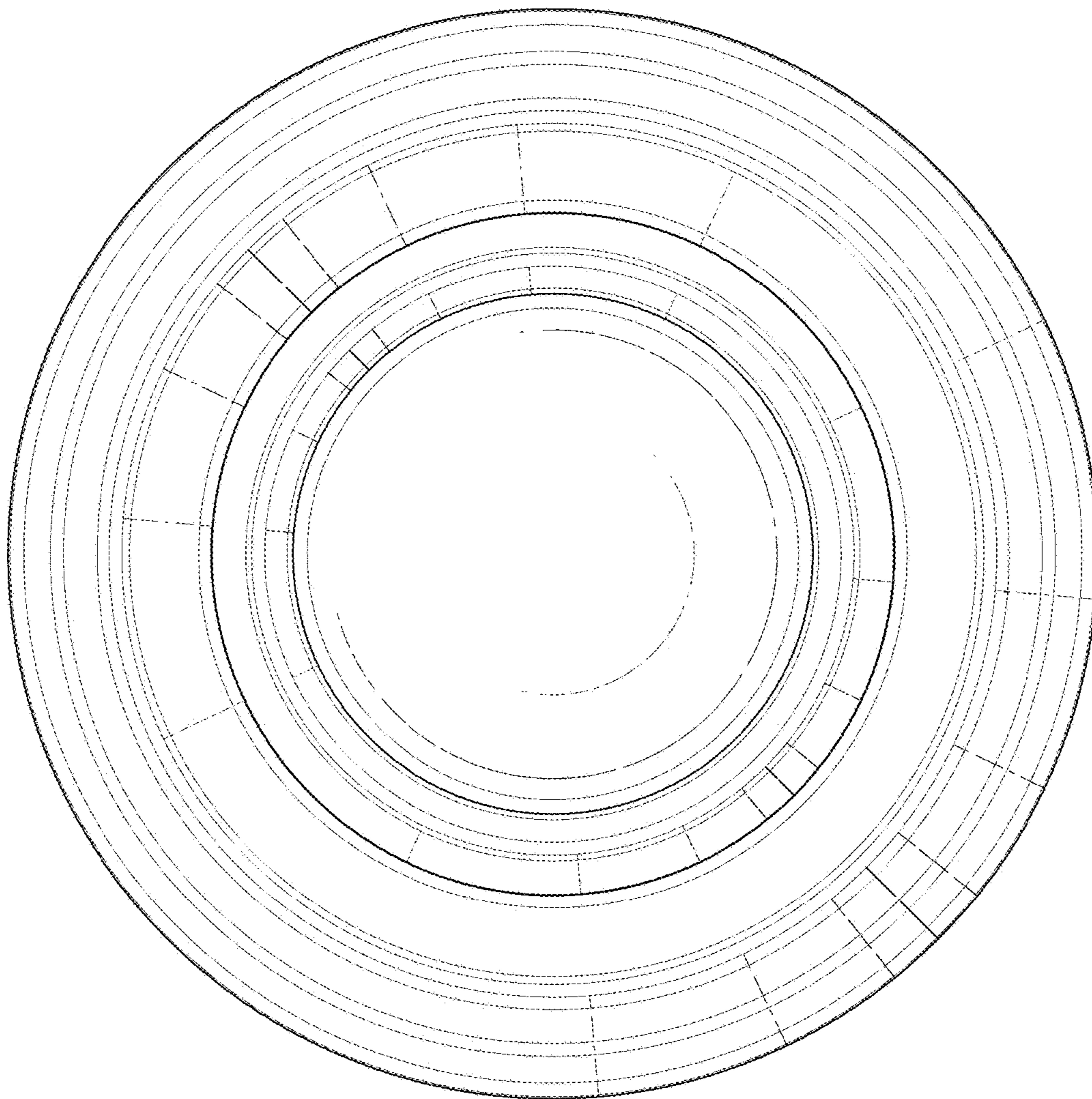


FIG. 5

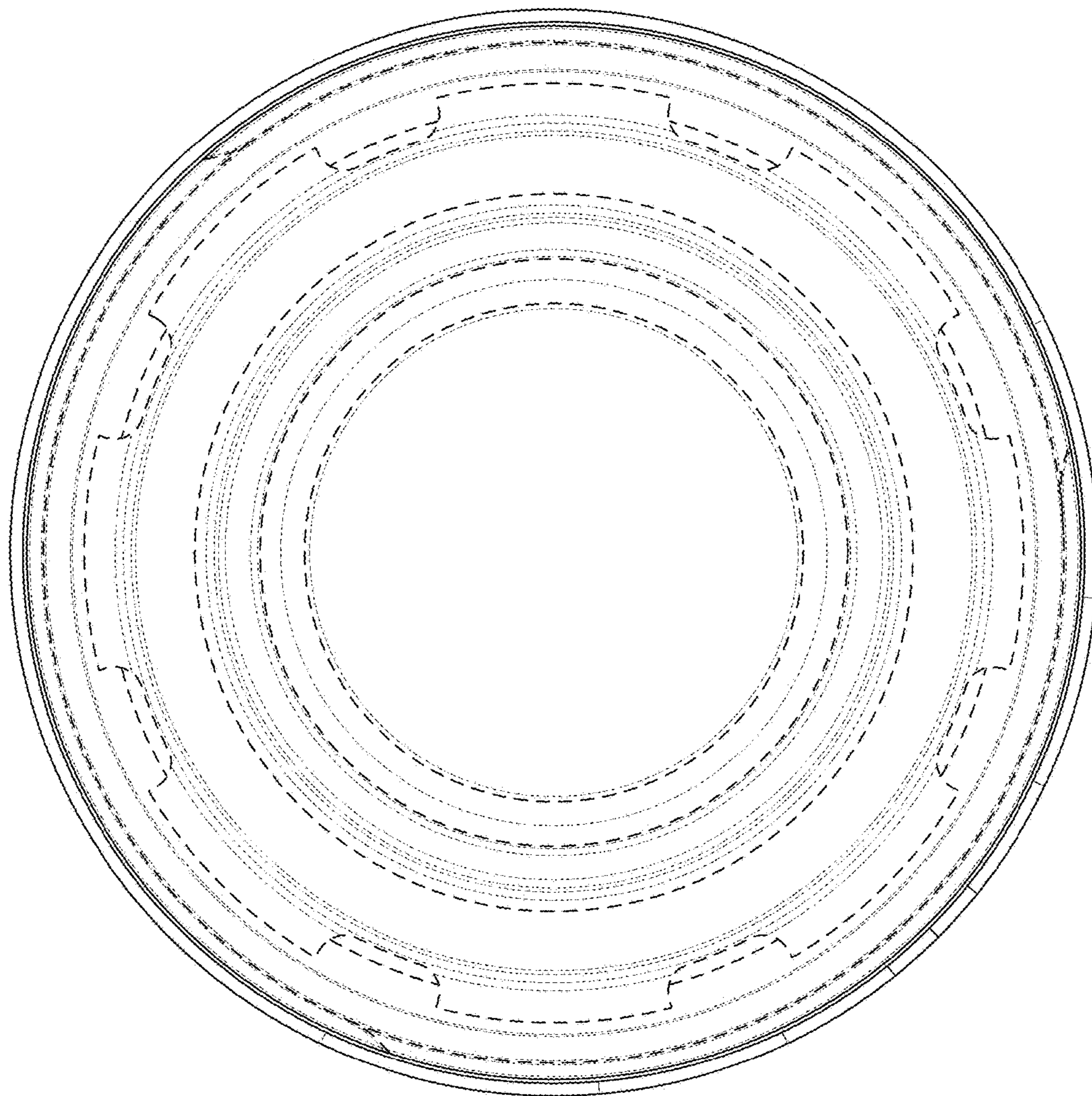


FIG. 6

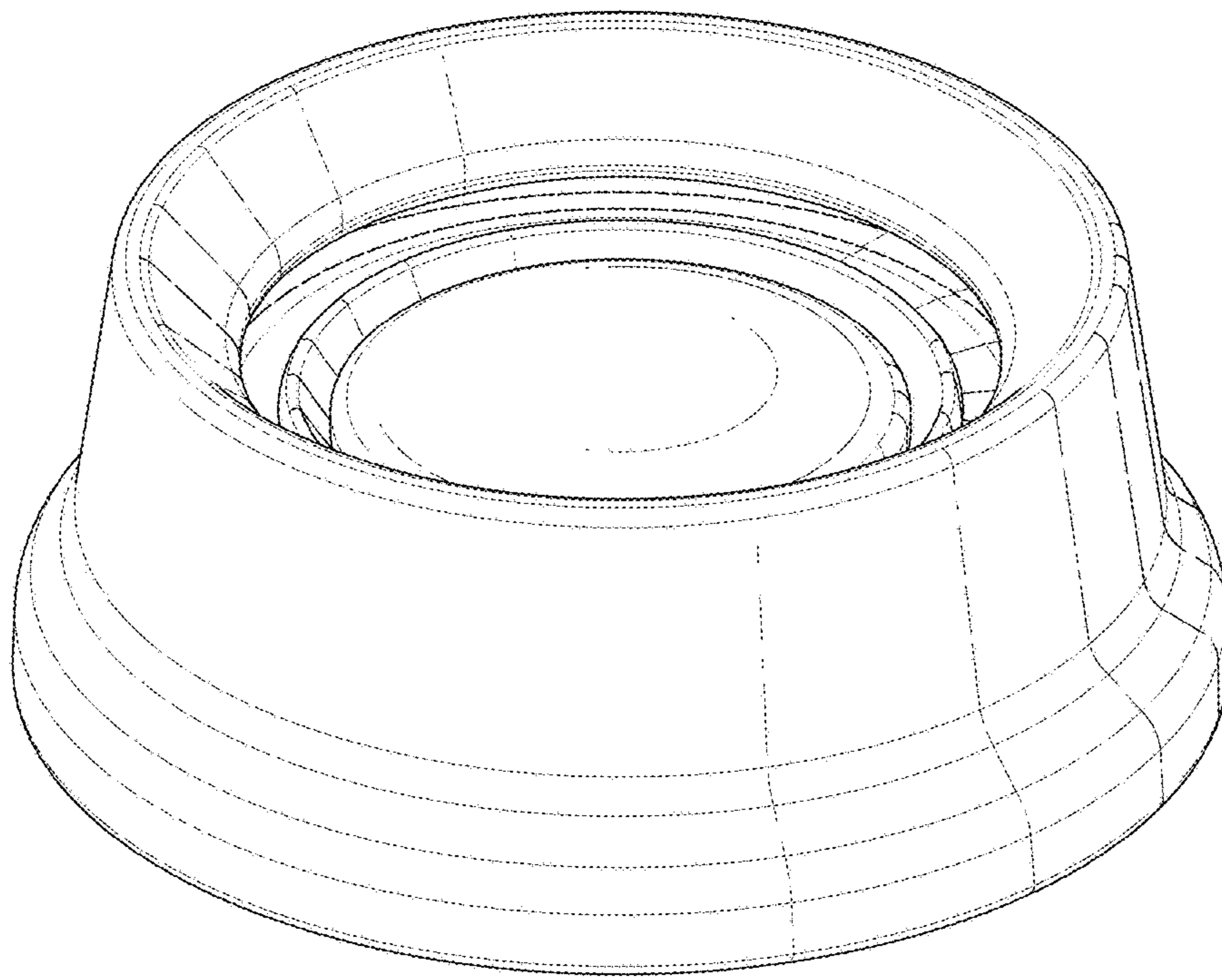


FIG. 7