



US00D784071S

(12) **United States Design Patent** (10) **Patent No.:** **US D784,071 S**  
**Davies** (45) **Date of Patent:** **\*\* Apr. 18, 2017**

(54) **BLENDER**

(71) Applicant: **Kenwood Limited**, Havant, Hampshire (GB)

(72) Inventor: **Sam Davies**, Havant (GB)

(73) Assignee: **Kenwood Limited**, Havant, Hampshire (GB)

(\*\*) Term: **15 Years**

(21) Appl. No.: **29/536,561**

(22) Filed: **Aug. 18, 2015**

(30) **Foreign Application Priority Data**

Feb. 19, 2015 (EM) ..... 001430706

(51) **LOC (10) Cl.** ..... **31-00**

(52) **U.S. Cl.**  
USPC ..... **D7/386; D7/376; D7/378; D7/412**

(58) **Field of Classification Search**  
USPC ..... **D7/372, 376-386, 412-413, 602, 629, D7/665-666, 669, 679, 693-694**  
(Continued)

(56) **References Cited**

**U.S. PATENT DOCUMENTS**

D181,541 S \* 11/1957 Madl ..... D7/378  
D450,978 S \* 11/2001 Smith ..... D7/378  
(Continued)

**OTHER PUBLICATIONS**

Korean Office Action dated Jul. 15, 2015 from corresponding Korean Application No. Design 30-2015-0009902 and Serial No. M001(3 pages including English translation).  
(Continued)

*Primary Examiner* — Ricky Pham

(74) *Attorney, Agent, or Firm* — Brinks Gilson & Lione; G. Peter Nichols

(57) **CLAIM**

The ornamental design for a blender, as shown and described.

**DESCRIPTION**

FIG. 1 is a front perspective view of one embodiment of a blender of the present invention with a container shown in broken lines to depict the cooperation between the blender and the container;

FIG. 2 is a front view of the blender of FIG. 1;

FIG. 3 is a rear view of the blender of FIG. 1;

FIG. 4 is a first side view of the blender of FIG. 1

FIG. 5 is a second side view of the blender of FIG. 1, opposite the first side view;

FIG. 6 is a top view of the blender of FIG. 1;

FIG. 7 is a bottom view of the blender of FIG. 1;

FIG. 8 is a front perspective view of one embodiment of a blender of the present invention;

FIG. 9 is a front view of the blender of FIG. 8;

FIG. 10 is a rear view of the blender of FIG. 8;

FIG. 11 is a first side view of the blender of FIG. 8;

FIG. 12 is a second side view of the blender of FIG. 8, opposite the first side view;

FIG. 13 is a top view of the blender of FIG. 8;

FIG. 14 is a bottom view of the blender of FIG. 8;

FIG. 15 is a front perspective view of one embodiment of a blender of the present invention with a container shown in broken lines to depict the cooperation between the blender and the container;

FIG. 16 is a front view of the blender of FIG. 15;

FIG. 17 is a rear view of the blender of FIG. 15;

FIG. 18 is a first side view of the blender of FIG. 15;

FIG. 19 is a second side view of the blender of FIG. 15, opposite the first side view;

FIG. 20 is a top view of the blender of FIG. 15;

FIG. 21 is a bottom view of the blender of FIG. 15;

FIG. 22 is a front perspective view of the blender of FIG. 15, without the container;

FIG. 23 is a front view of the blender of FIG. 22;

FIG. 24 is a rear view of the blender of FIG. 22;

(Continued)

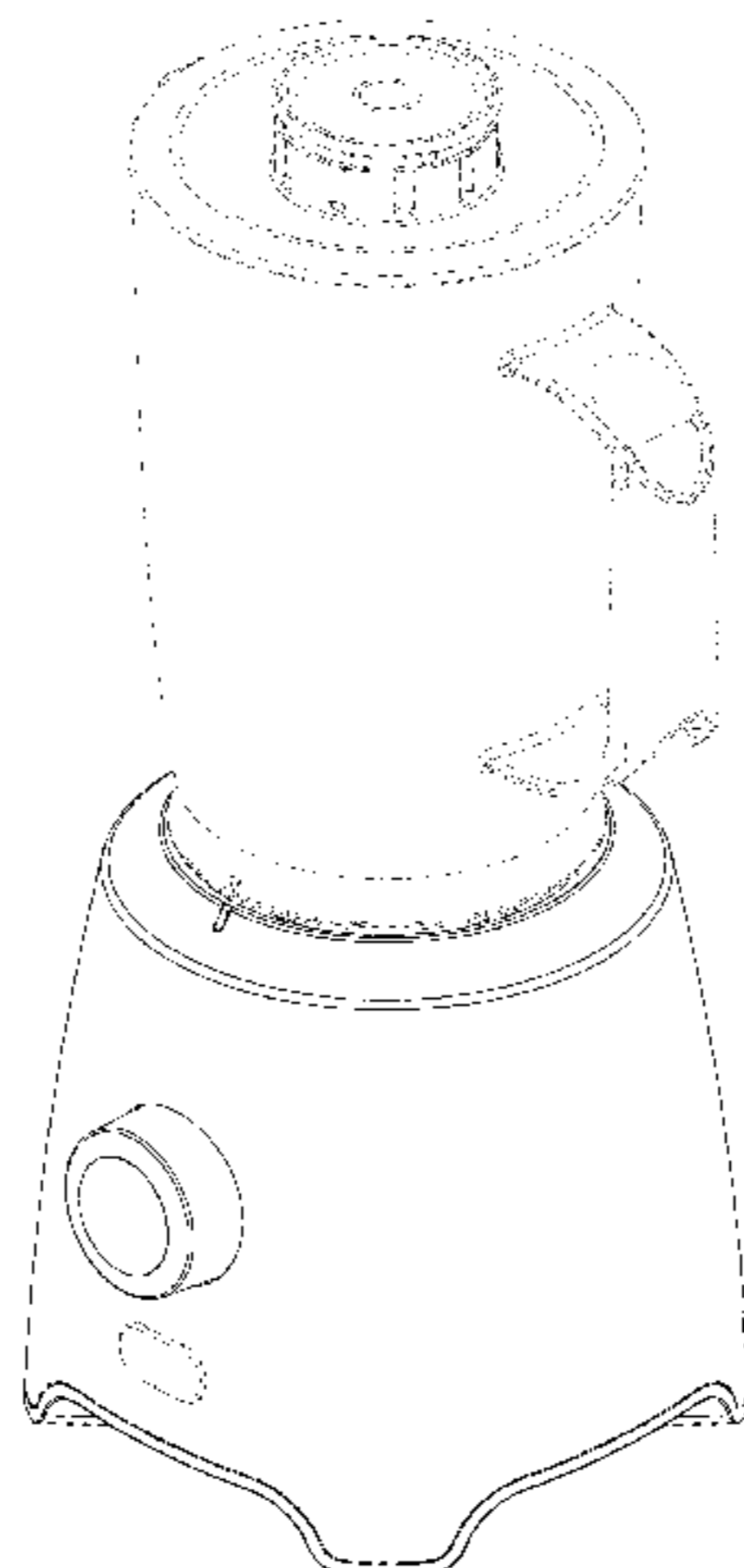


FIG. 25 is a first side view of the blender of FIG. 22;  
 FIG. 26 is a second side view of the blender of FIG. 22,  
 opposite the first side view;  
 FIG. 27 is a top view of the blender of FIG. 22; and,  
 FIG. 28 is a bottom view of the blender of FIG. 22.  
 The broken lines shown in the drawings represent unclaimed  
 portions and form no part of the claimed design.

**1 Claim, 28 Drawing Sheets**

(58) **Field of Classification Search**

CPC .... A21C 1/02; A21C 1/04; A23N 1/00; A23N  
 1/02; A47J 43/04; A47J 43/25; A47J  
 43/27; A47J 43/042; A47J 43/044; A47J  
 43/046; A47J 43/075; A47J 43/0722;  
 A47J 43/0727; B01F 3/00; B01F 3/0807;  
 B01F 3/0853; B01F 13/0059; B01F  
 13/0064; B02C 1/08; B02C 2/04; B02C  
 4/42; B02C 4/142; B02C 4/143; B02C  
 4/423; B02C 13/1835; B28C 5/10; B28C  
 5/12; B28C 5/14; B28C 5/16

See application file for complete search history.

(56) **References Cited**

U.S. PATENT DOCUMENTS

D489,570	S	*	5/2004	Feil	.....	D7/386
D493,329	S	*	7/2004	Feil	.....	D7/378
D498,643	S	*	11/2004	Pryor, Jr.	.....	D7/386
D499,602	S	*	12/2004	Feil	.....	D7/378
D502,358	S	*	3/2005	Weaden	.....	D7/378
D512,265	S	*	12/2005	McCurrach	.....	D7/378
D533,020	S	*	12/2006	Kassenaar	.....	D7/378

D543,072	S	*	5/2007	Ting	.....	D7/378
D553,425	S	*	10/2007	Steiner	.....	D7/378
D568,096	S	*	5/2008	Sun	.....	D7/378
D578,340	S	*	10/2008	Picozza	.....	D7/378
D597,372	S	*	8/2009	Nordwall	.....	D7/378
D613,547	S	*	4/2010	Day	.....	D7/378
D613,550	S	*	4/2010	Picozza	.....	D7/378
D629,643	S	*	12/2010	Bower	.....	D7/376
D670,531	S	*	11/2012	Carlson	.....	D7/376
D670,958	S	*	11/2012	Picozza	.....	D7/376
D728,303	S	*	5/2015	Vu	.....	D7/376
D731,234	S	*	6/2015	Weaden	.....	D7/376
D742,683	S	*	11/2015	Kim	.....	D7/376
D747,135	S	*	1/2016	Ha	.....	D7/376
D749,893	S	*	2/2016	Bazzicalupo	.....	D7/376
D758,787	S	*	6/2016	Ou	.....	D7/376
D759,424	S	*	6/2016	Ou	.....	D7/376

OTHER PUBLICATIONS

Korean Office Action dated Jul. 15, 2015 from corresponding Korean Application No. Design 30-2015-0009902 and Serial No. M003 (3 pages including English translation).  
 Korean Office Action dated Jul. 15, 2015 from corresponding Korean Application No. Design 30-2015-0009902 and Serial No. M010 (3 pages including English translation).  
 Korean Office Action dated Jul. 15, 2015 from corresponding Korean Application No. Design 30-2015-0009902 and Serial No. M011 (3 pages including English translation).  
 Korean Office Action dated Jul. 15, 2015 from corresponding Korean Application No. Design 30-2015-0009902 and Serial No. M012 (3 pages including English translation).  
 Présentation du blender Blend-X Pro de Kenwood [online] YouTube [retrieved on Aug. 13, 2014], Retrieved from the Internet <URL: [www.youtube.com/watch?v=md0qgGbNNdA&list=PLEFolio04mJ9M9hrTerQAiwwQkQM\\_RBSM](http://www.youtube.com/watch?v=md0qgGbNNdA&list=PLEFolio04mJ9M9hrTerQAiwwQkQM_RBSM)>.

\* cited by examiner

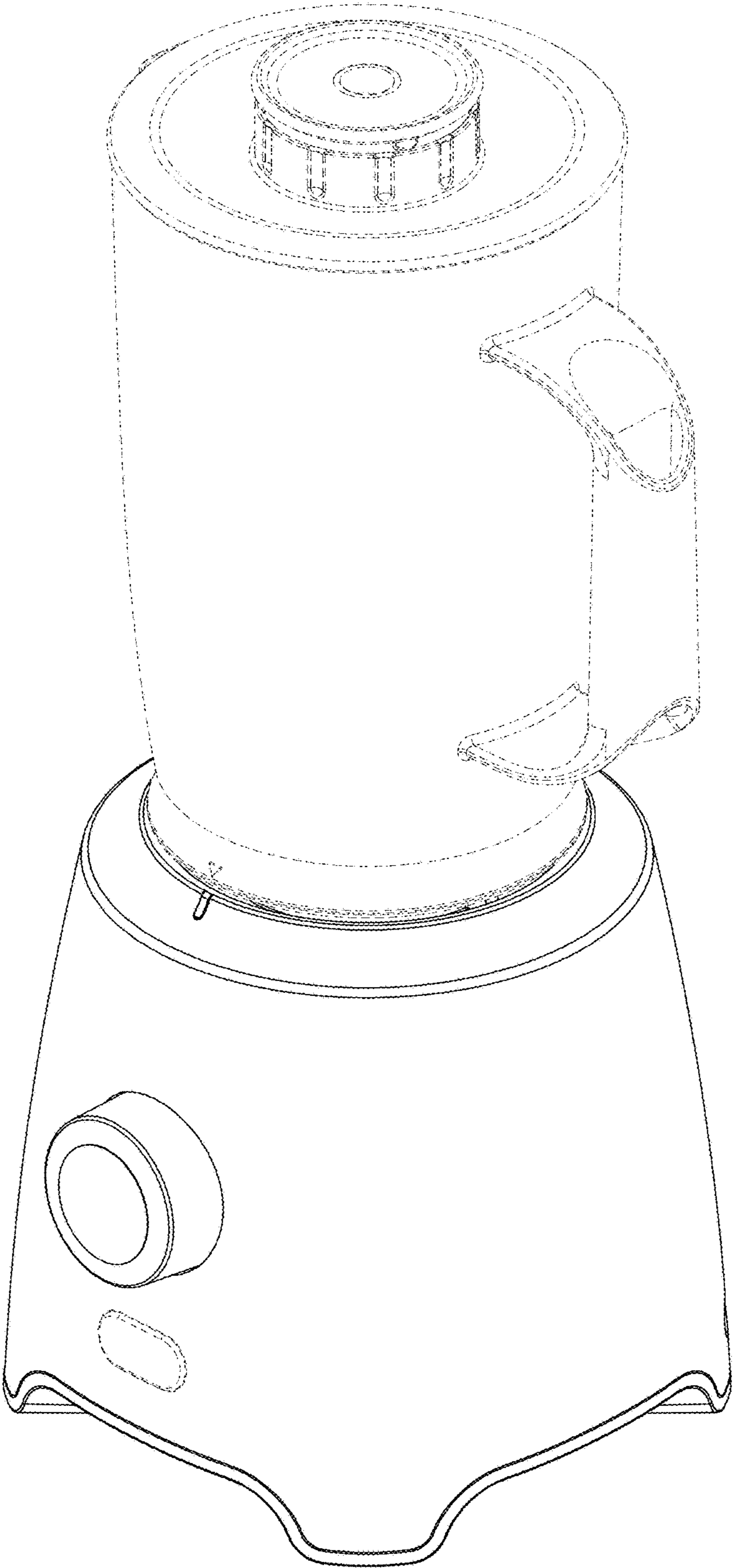


FIG. 1



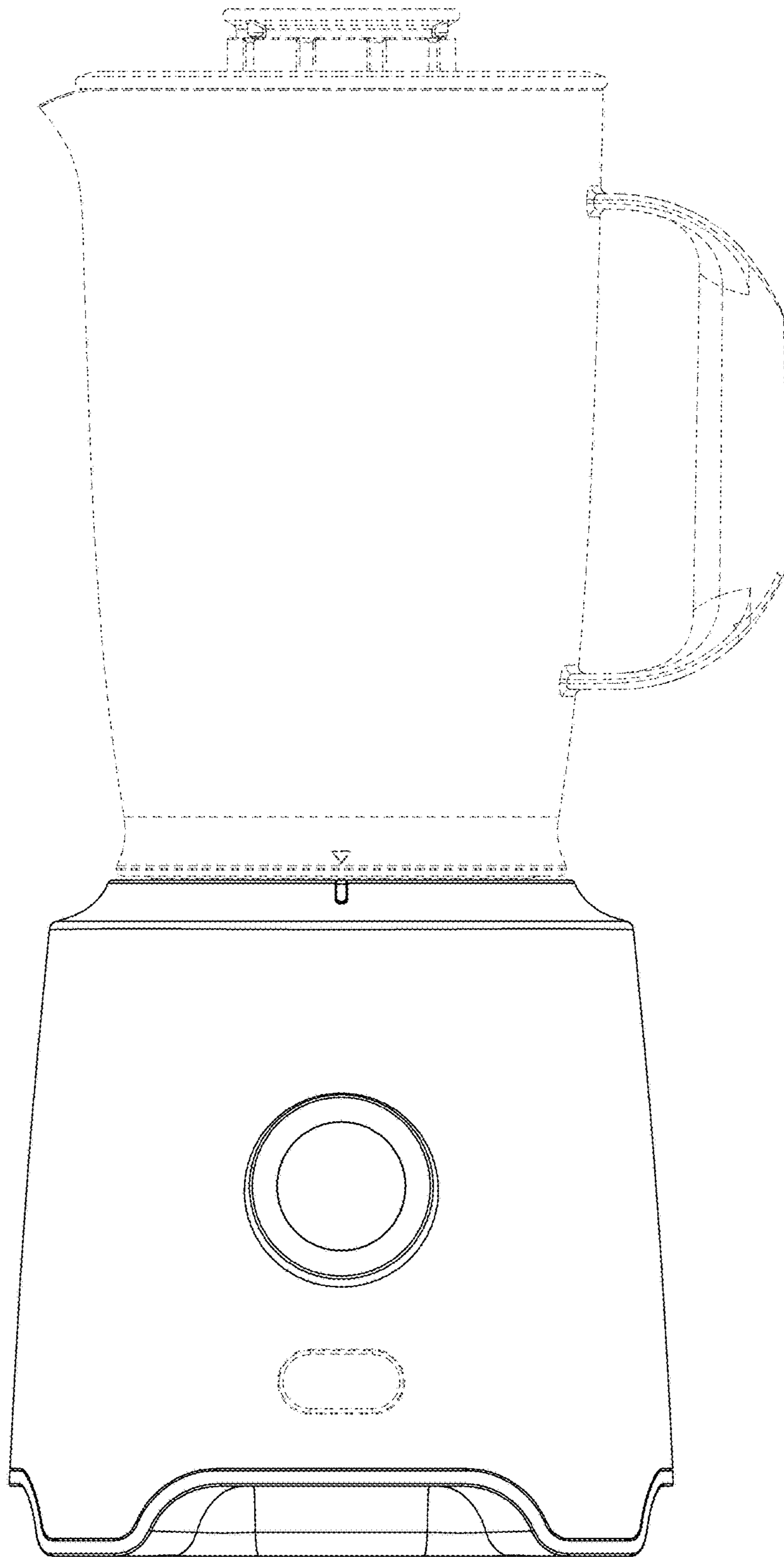


FIG. 2

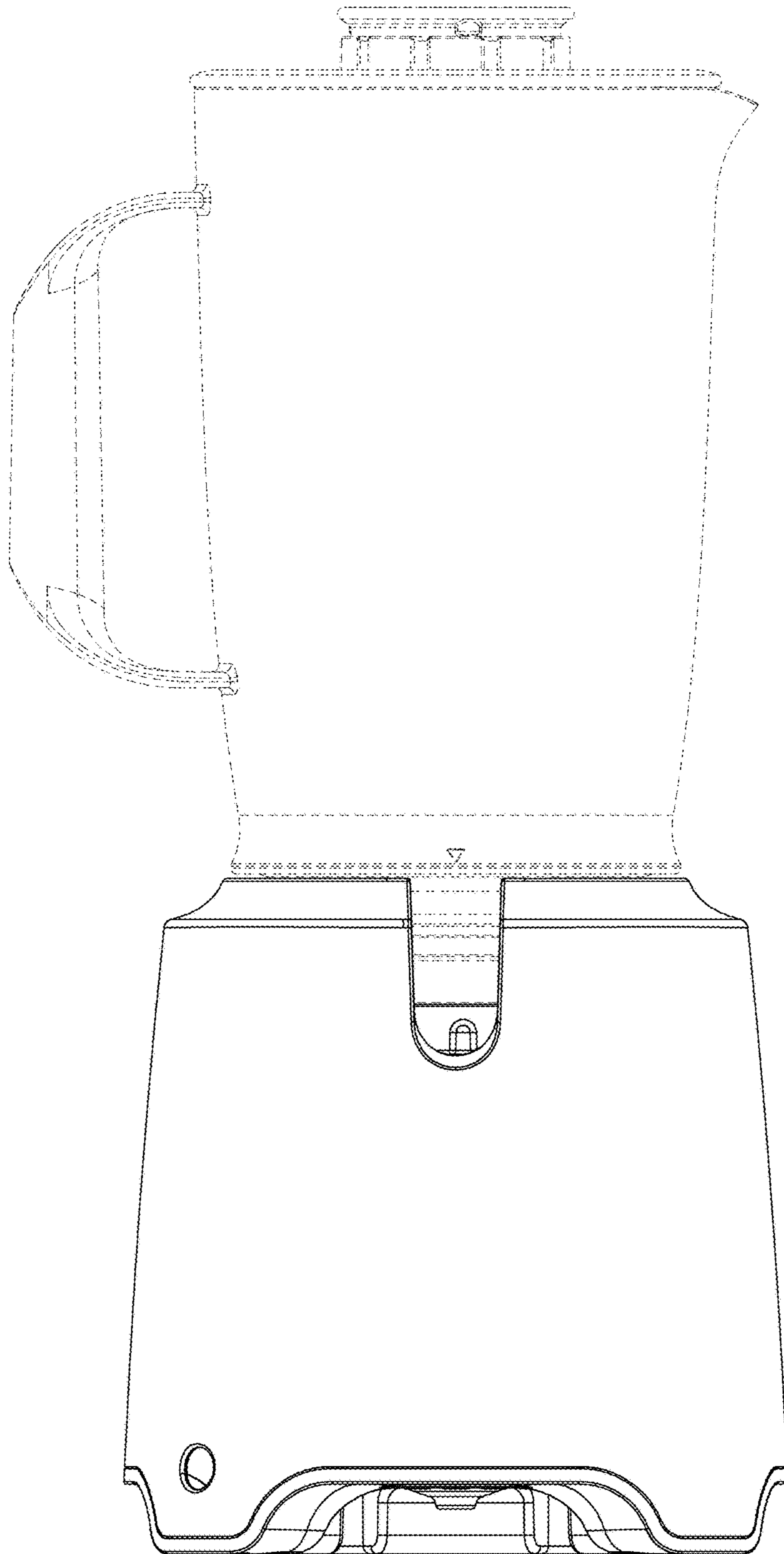


FIG. 3

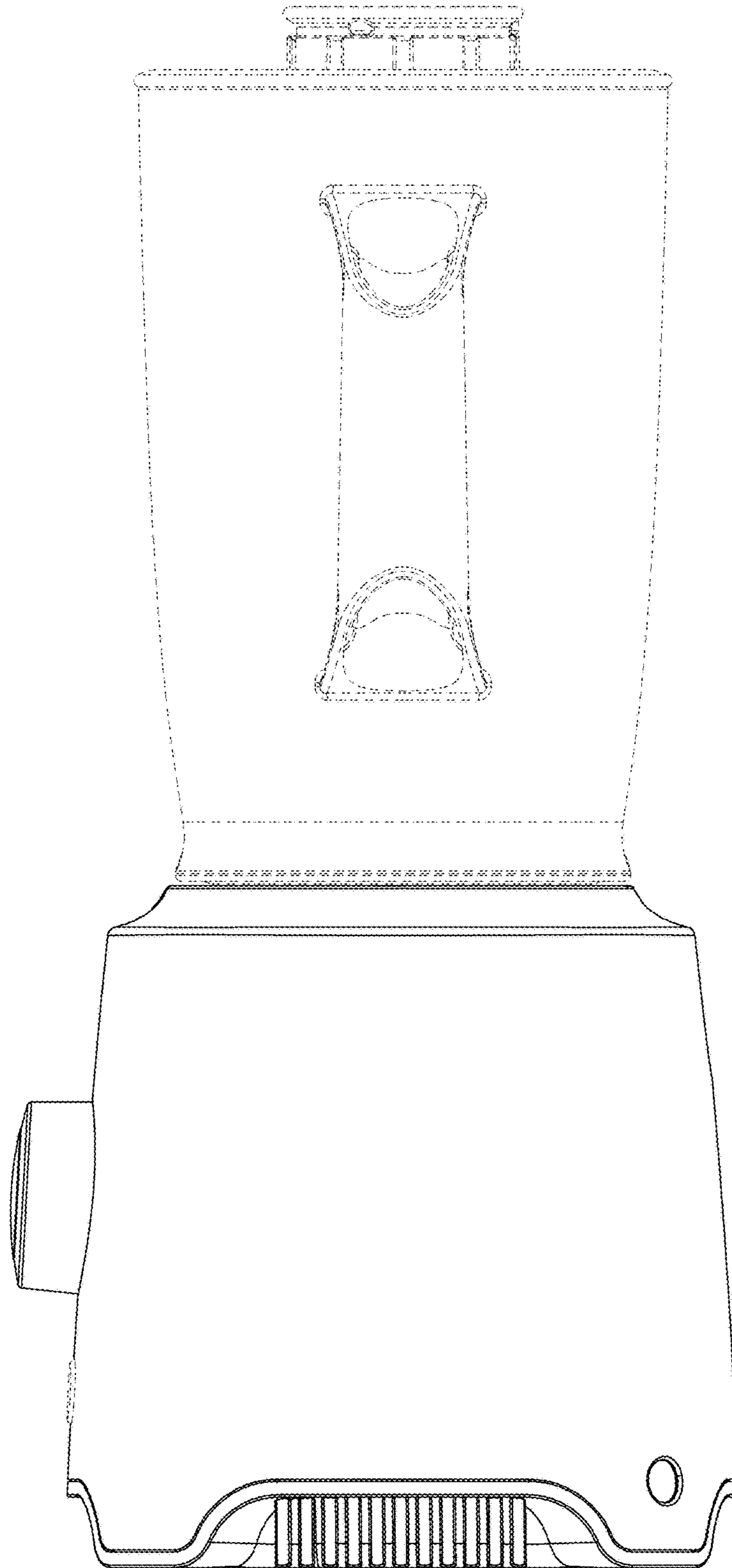


FIG. 4

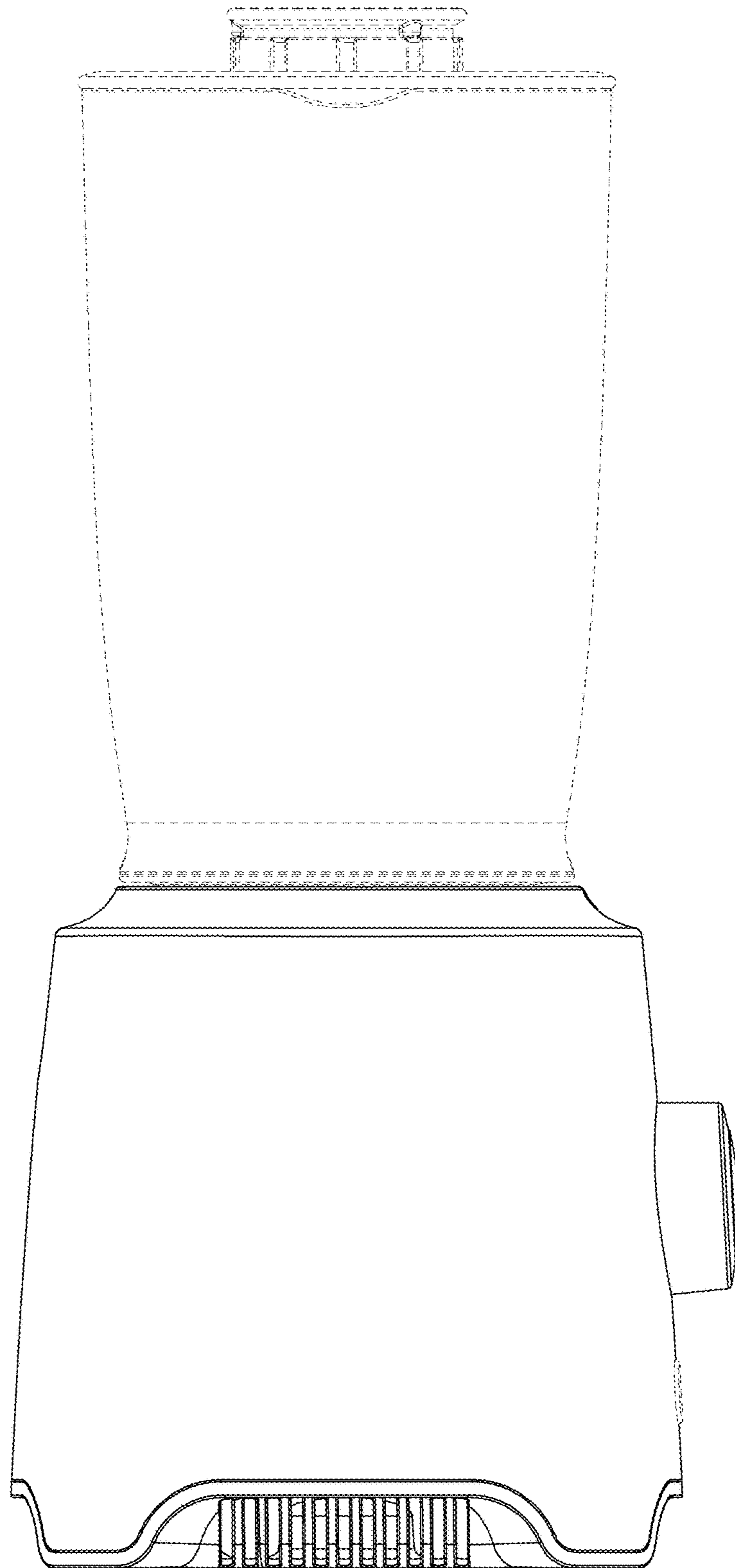
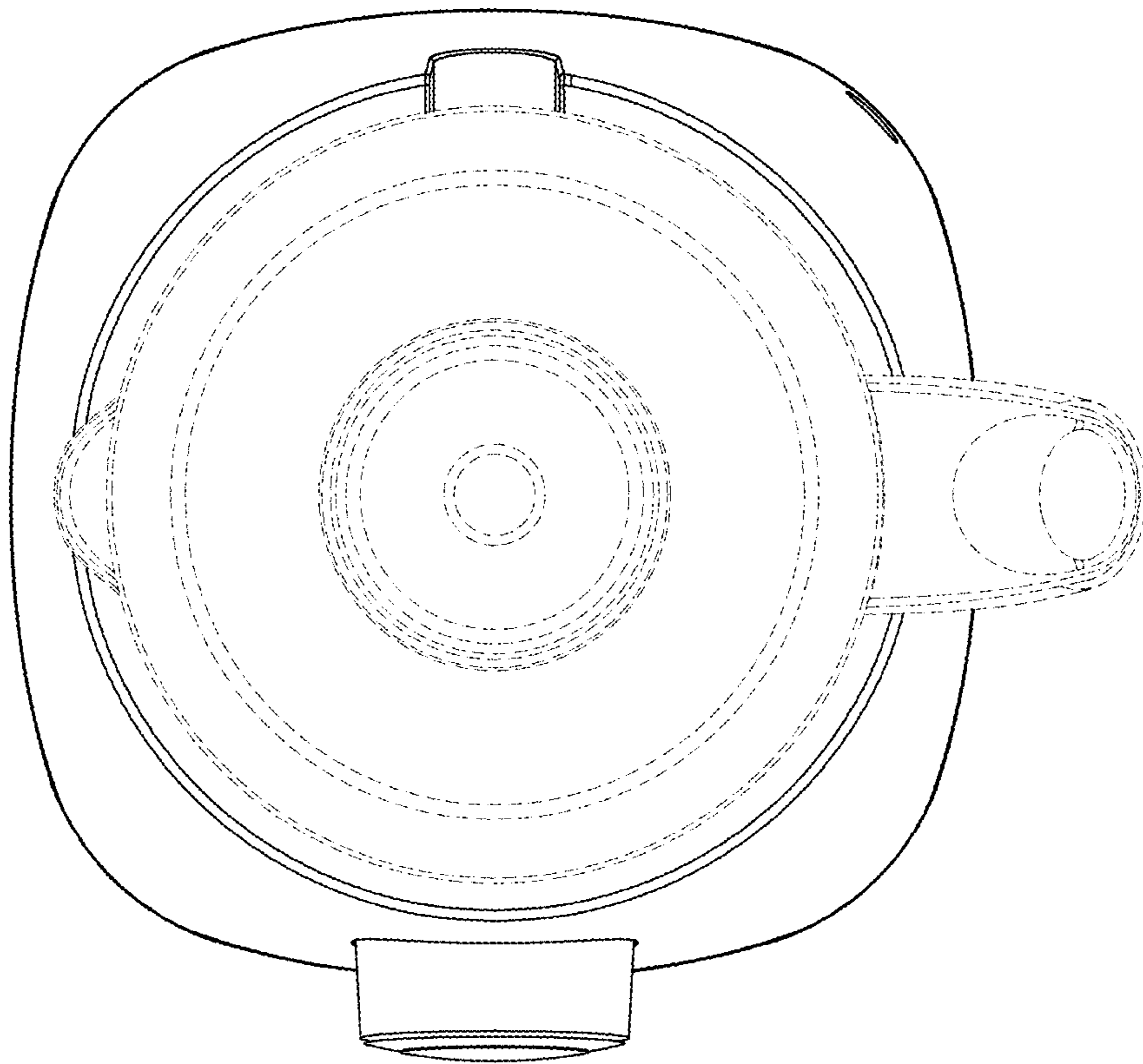


FIG. 5



*FIG. 6*



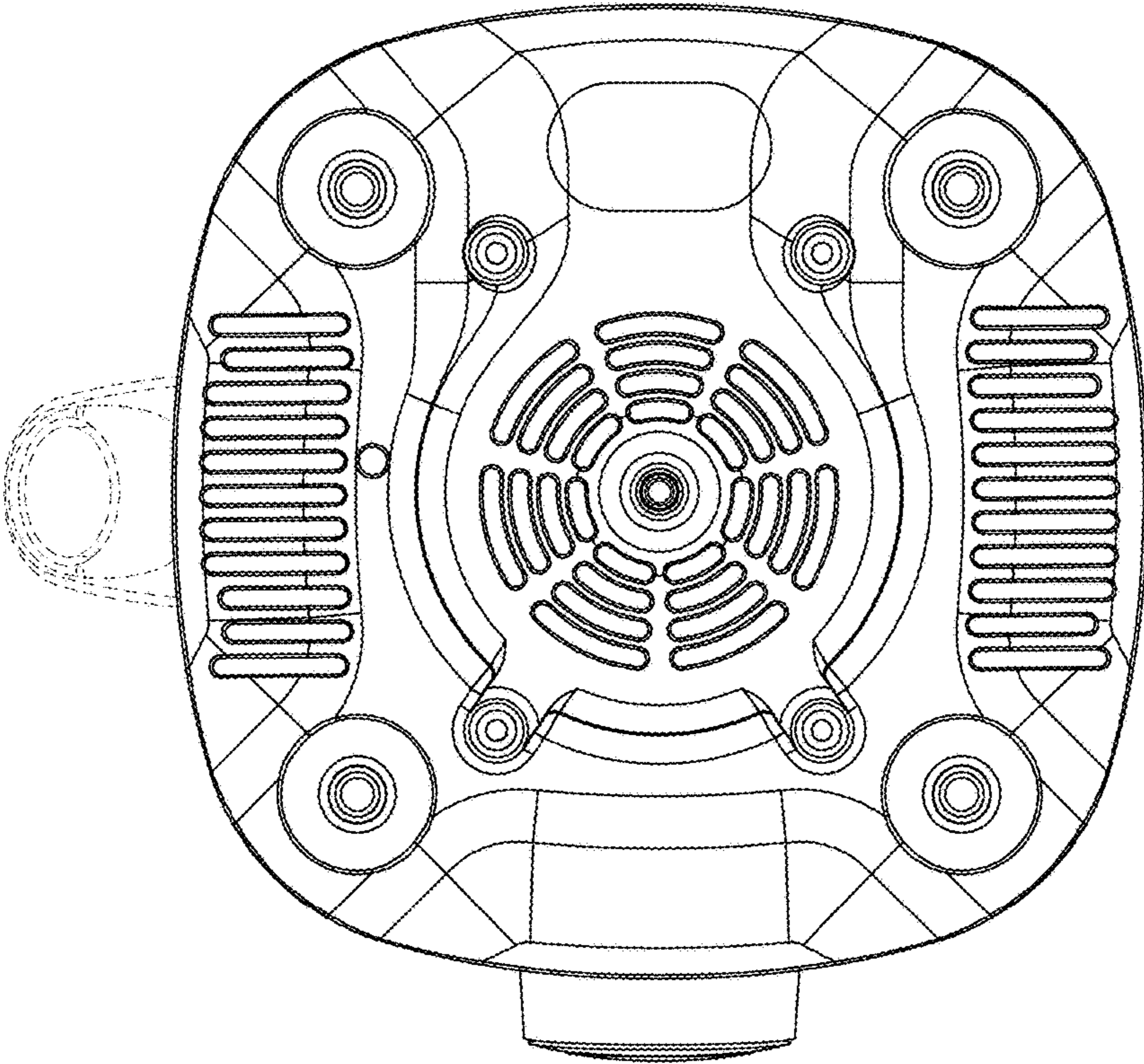


FIG. 7

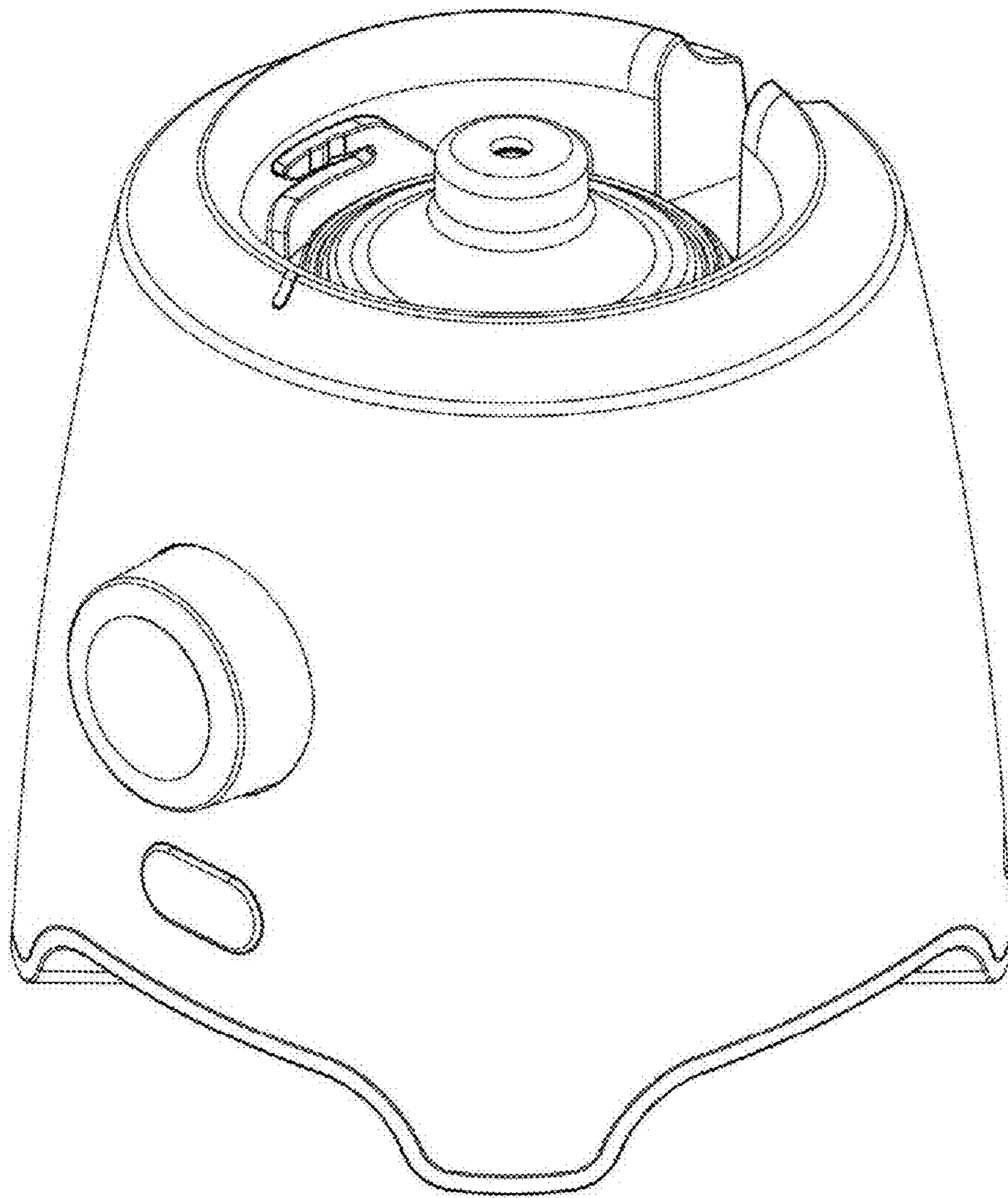
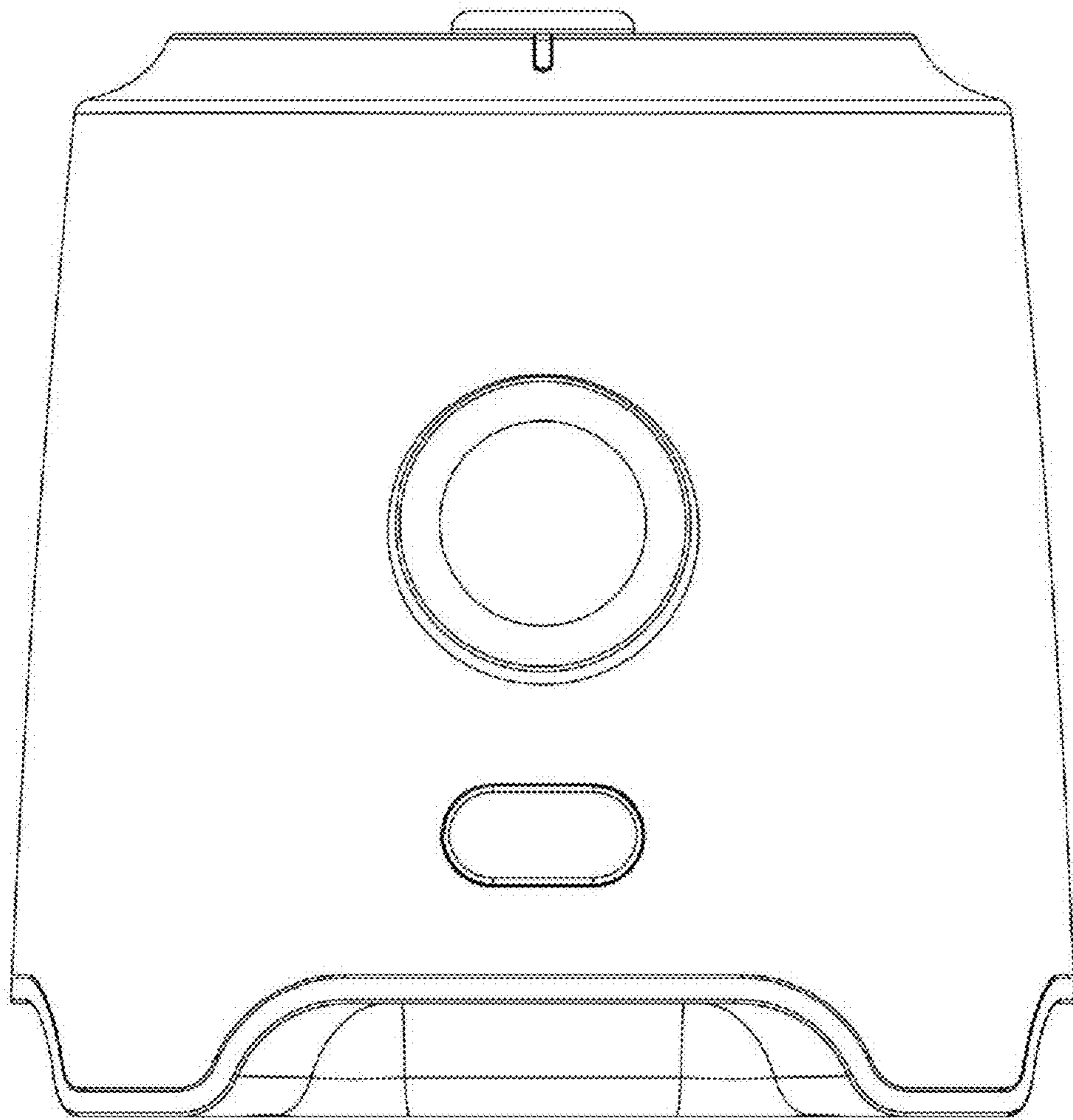
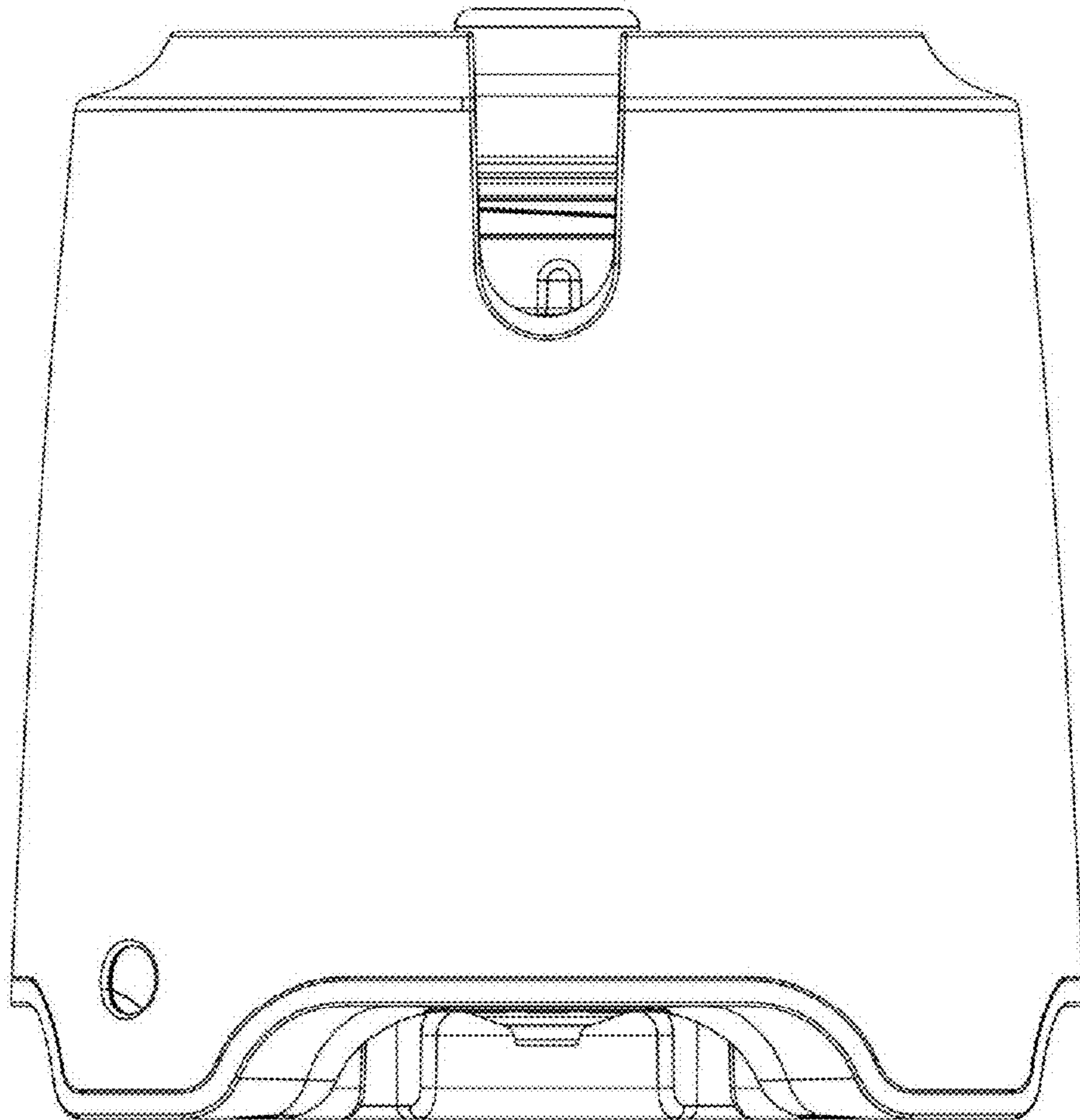


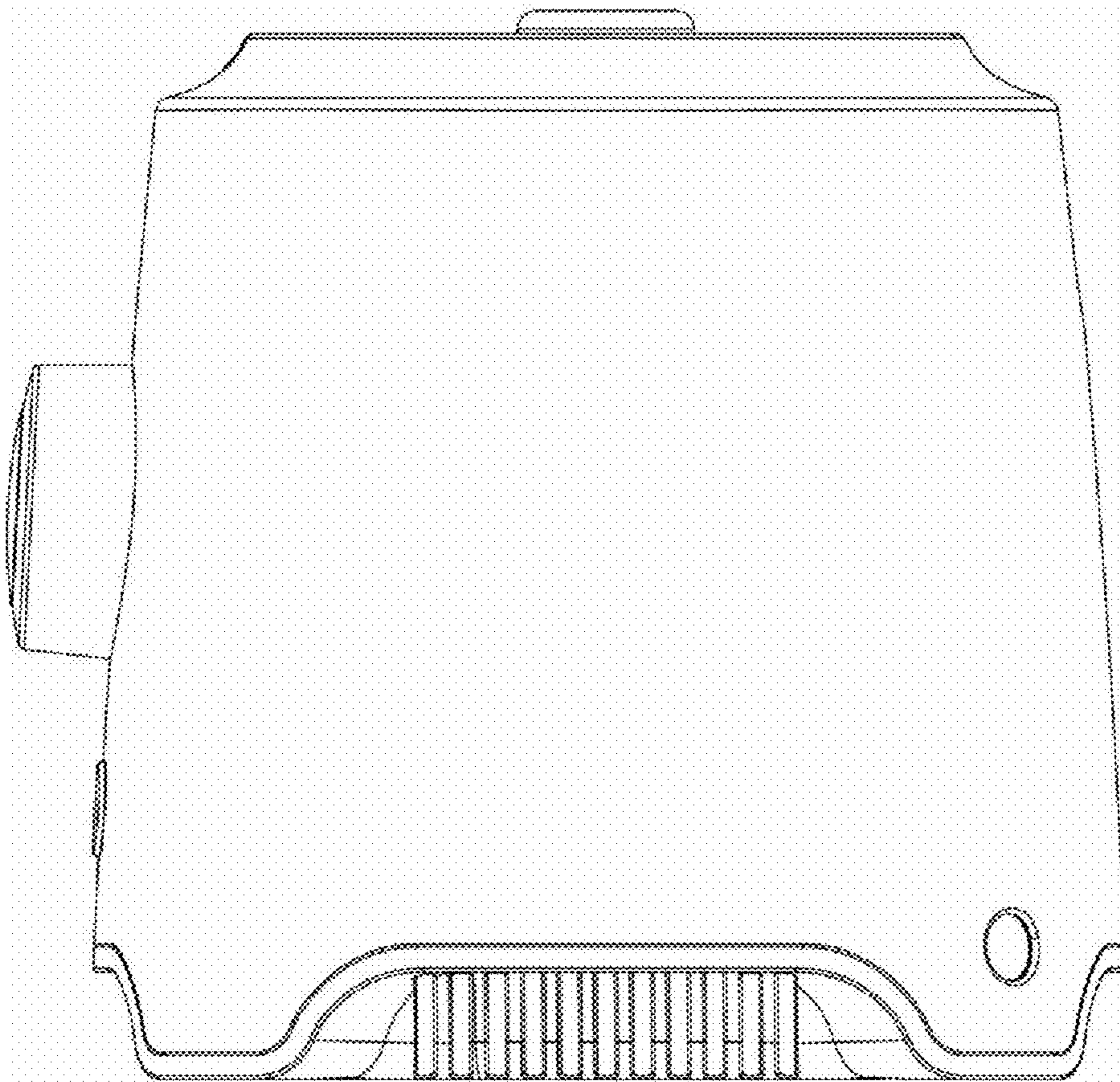
FIG. 8



**FIG. 9**

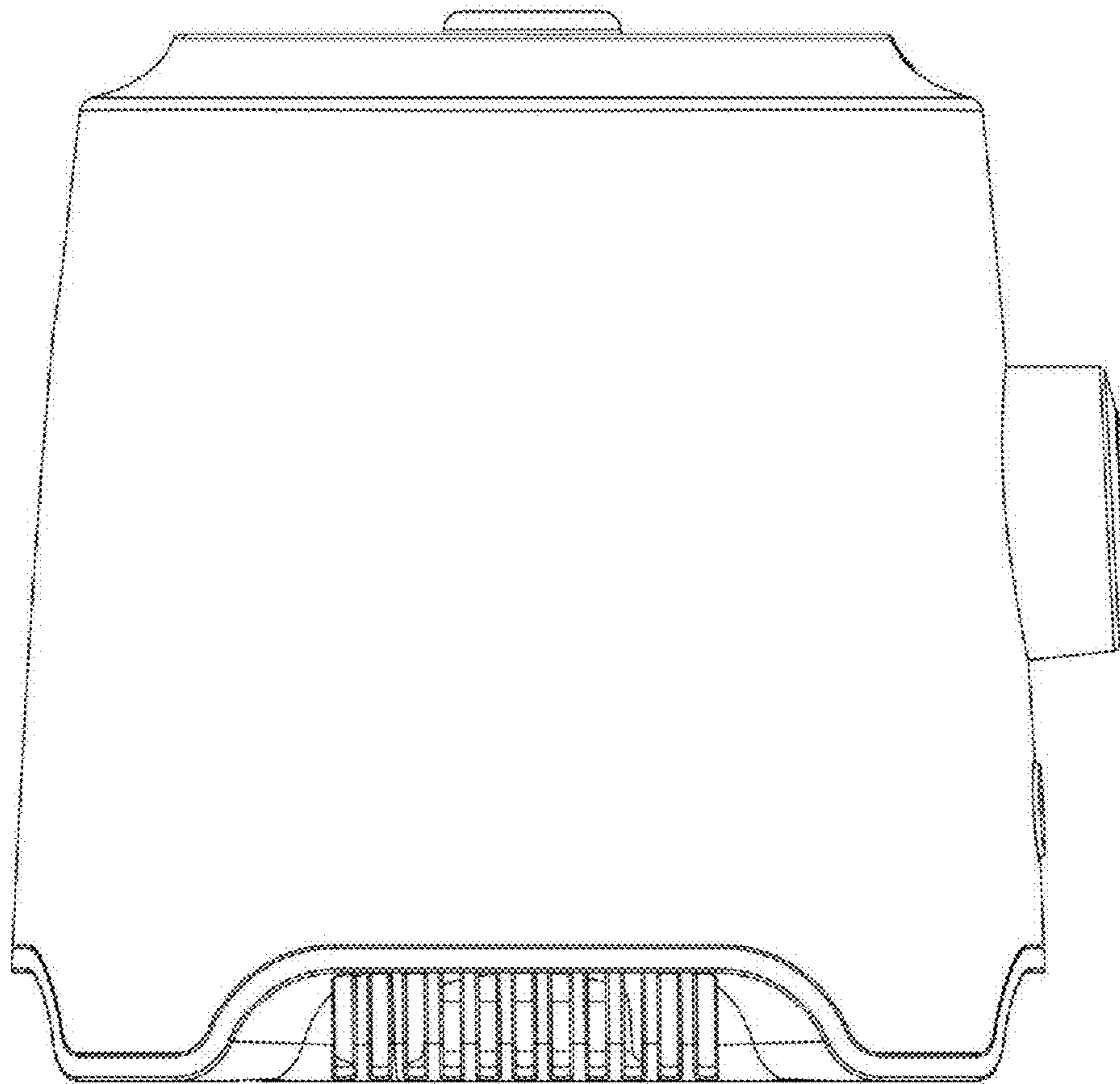


*FIG. 10*



*FIG. 11*





*FIG. 12*

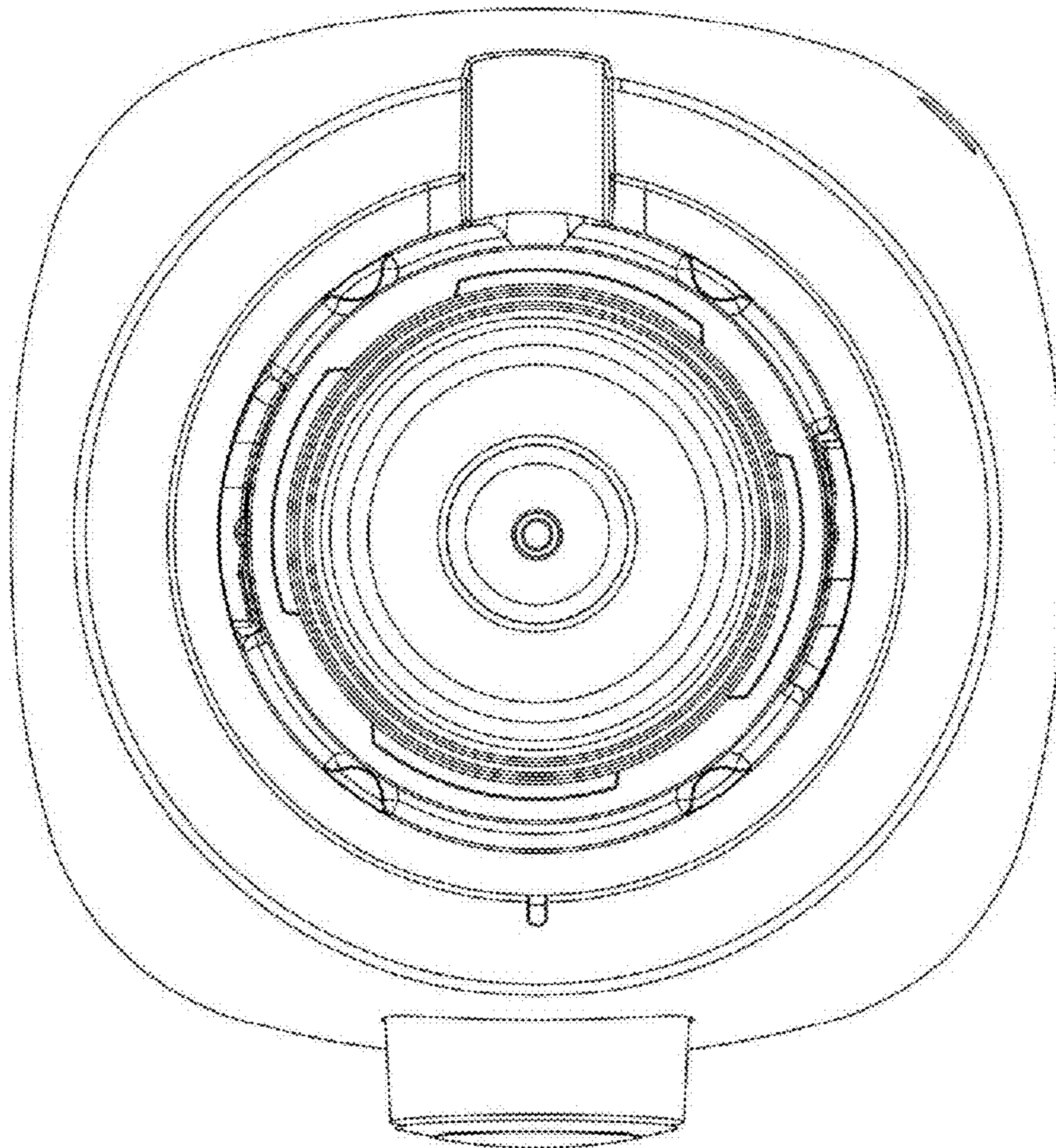


FIG. 13

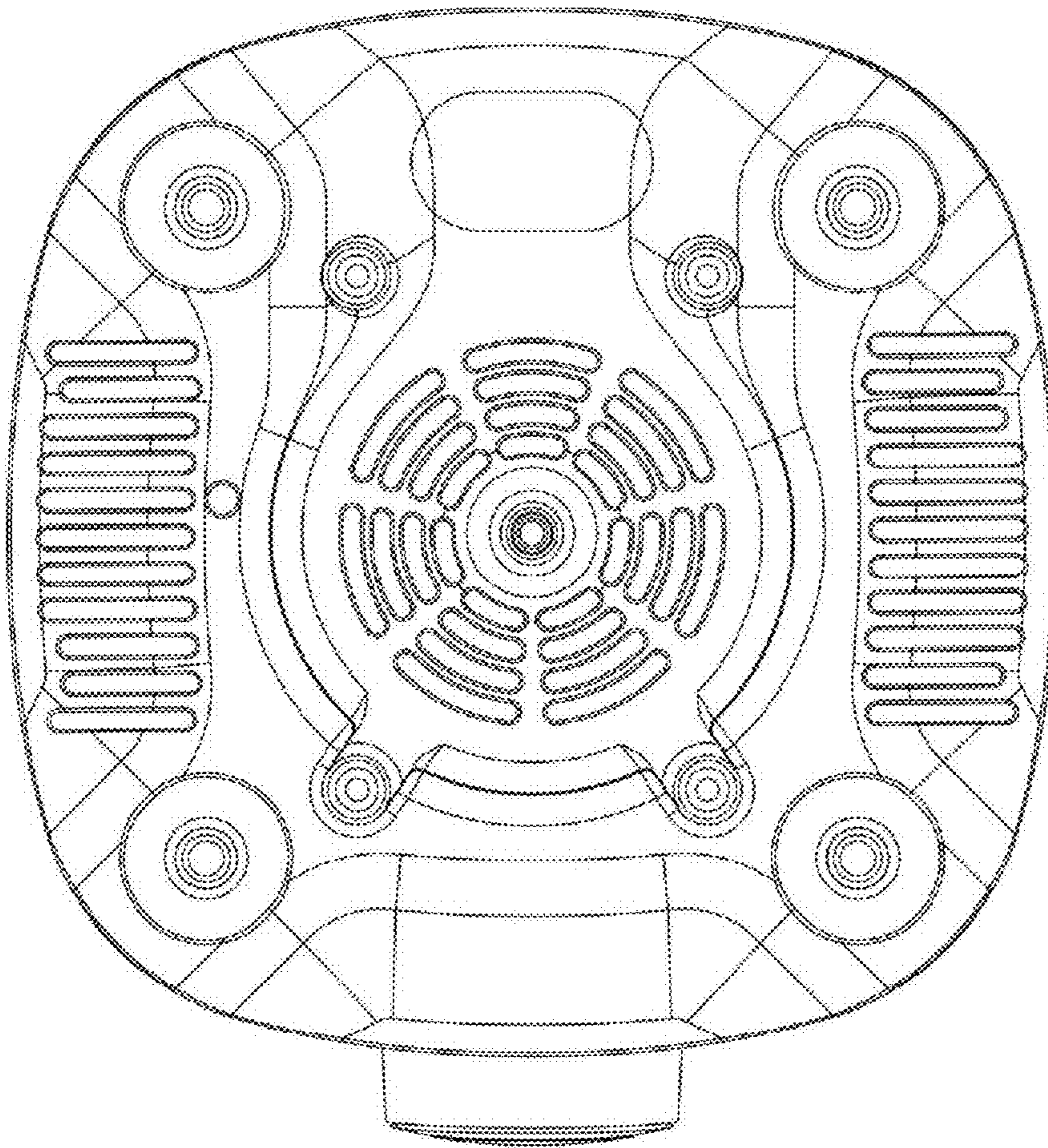


FIG. 14



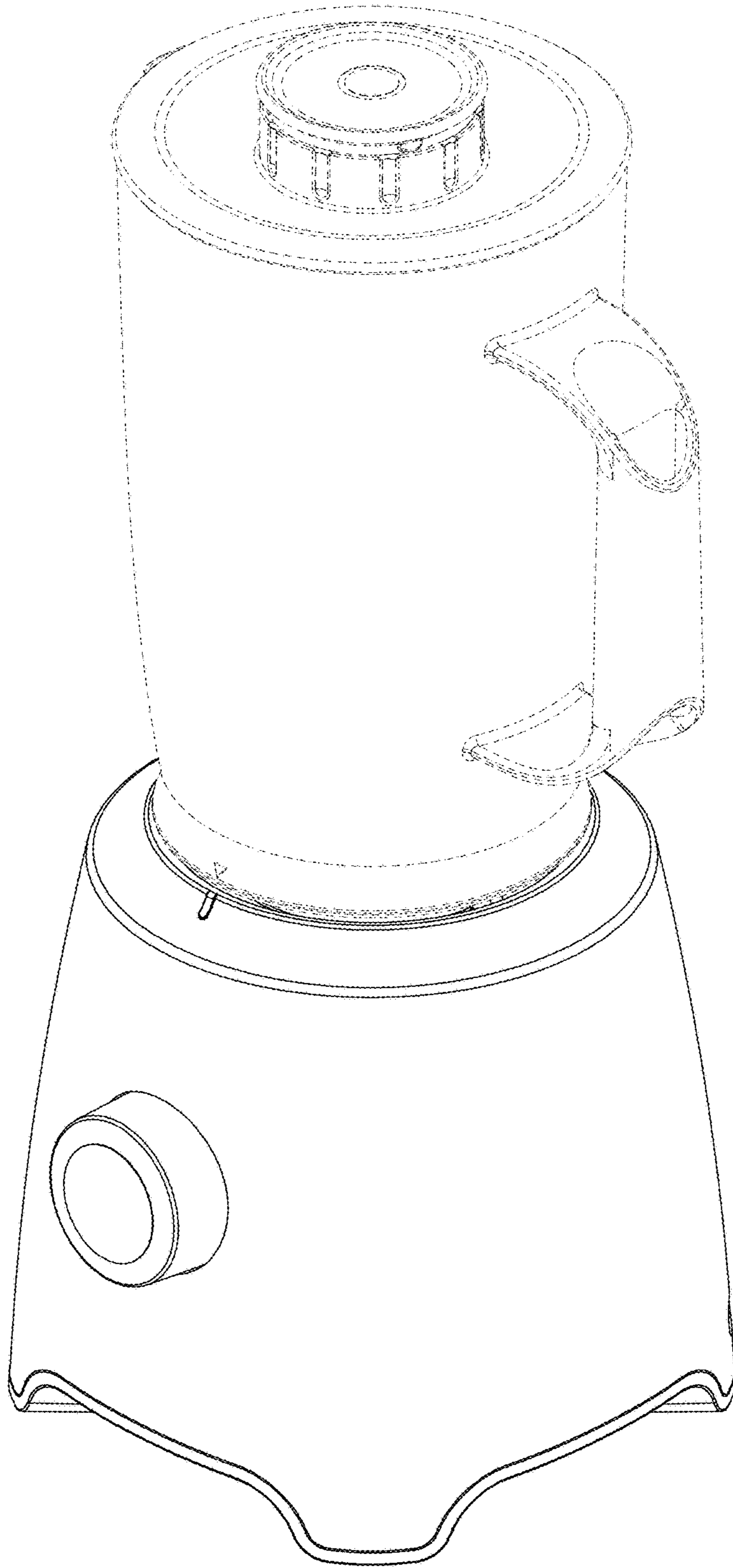


FIG. 15

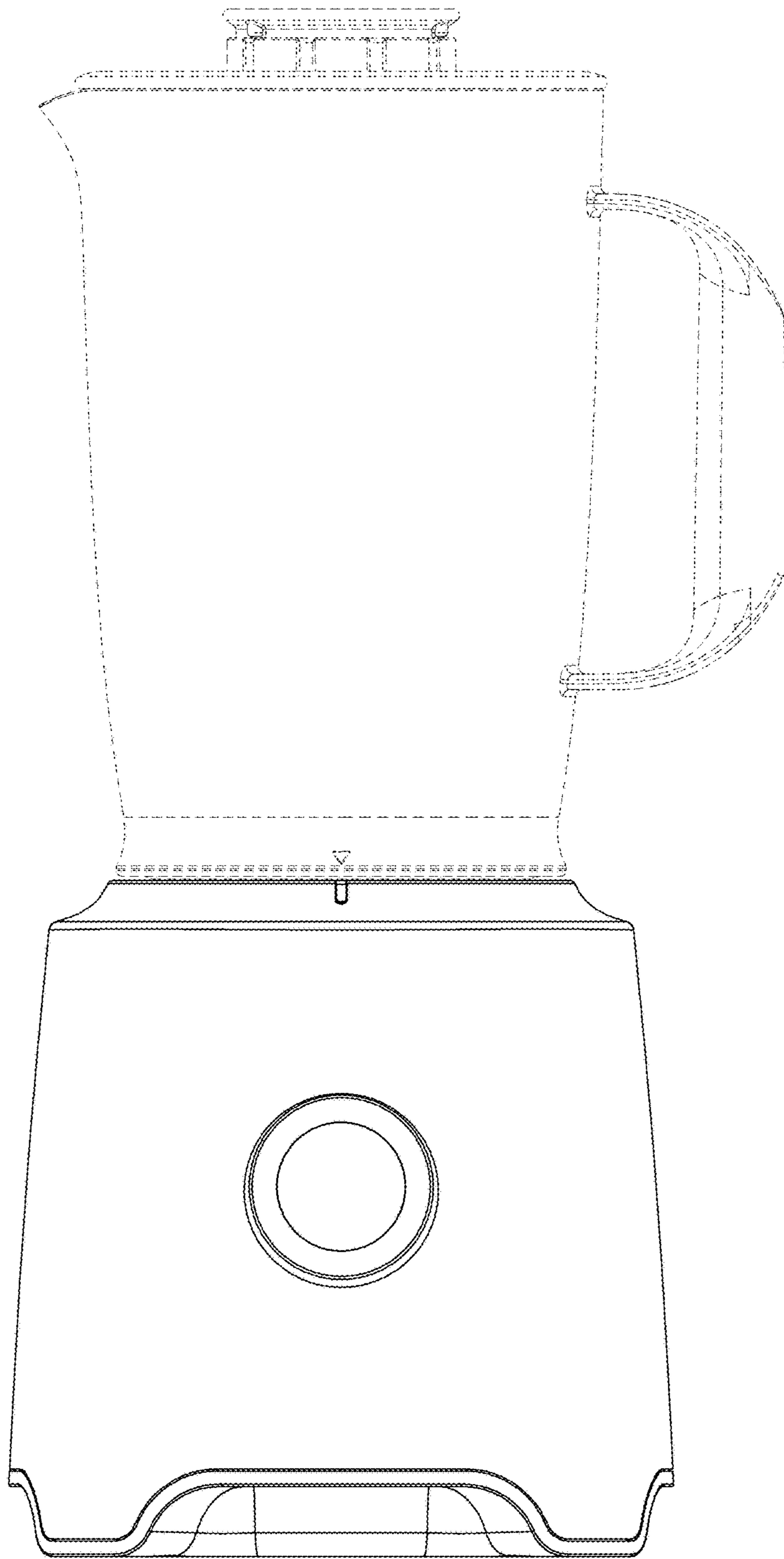


FIG. 16



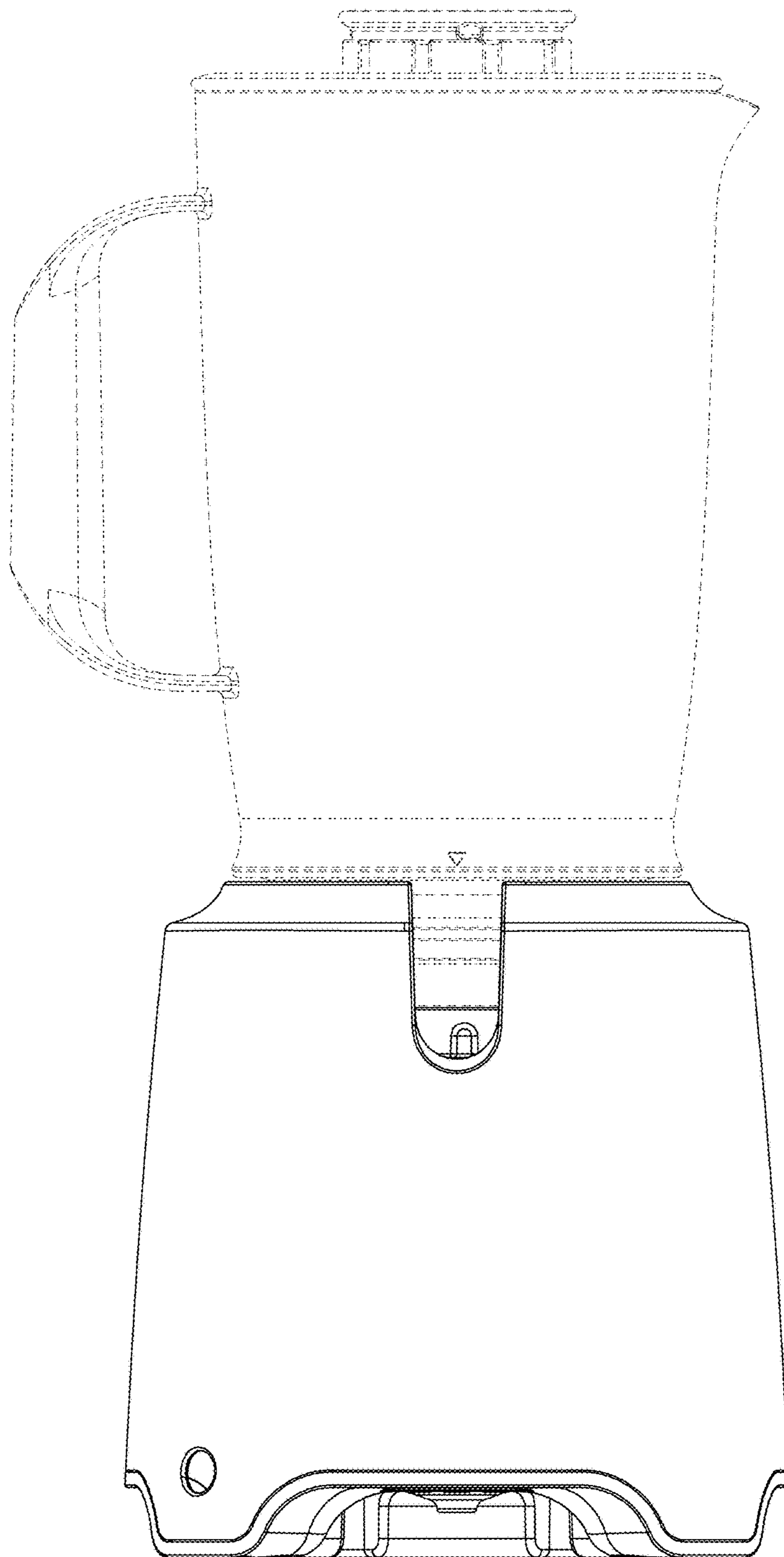


FIG. 17

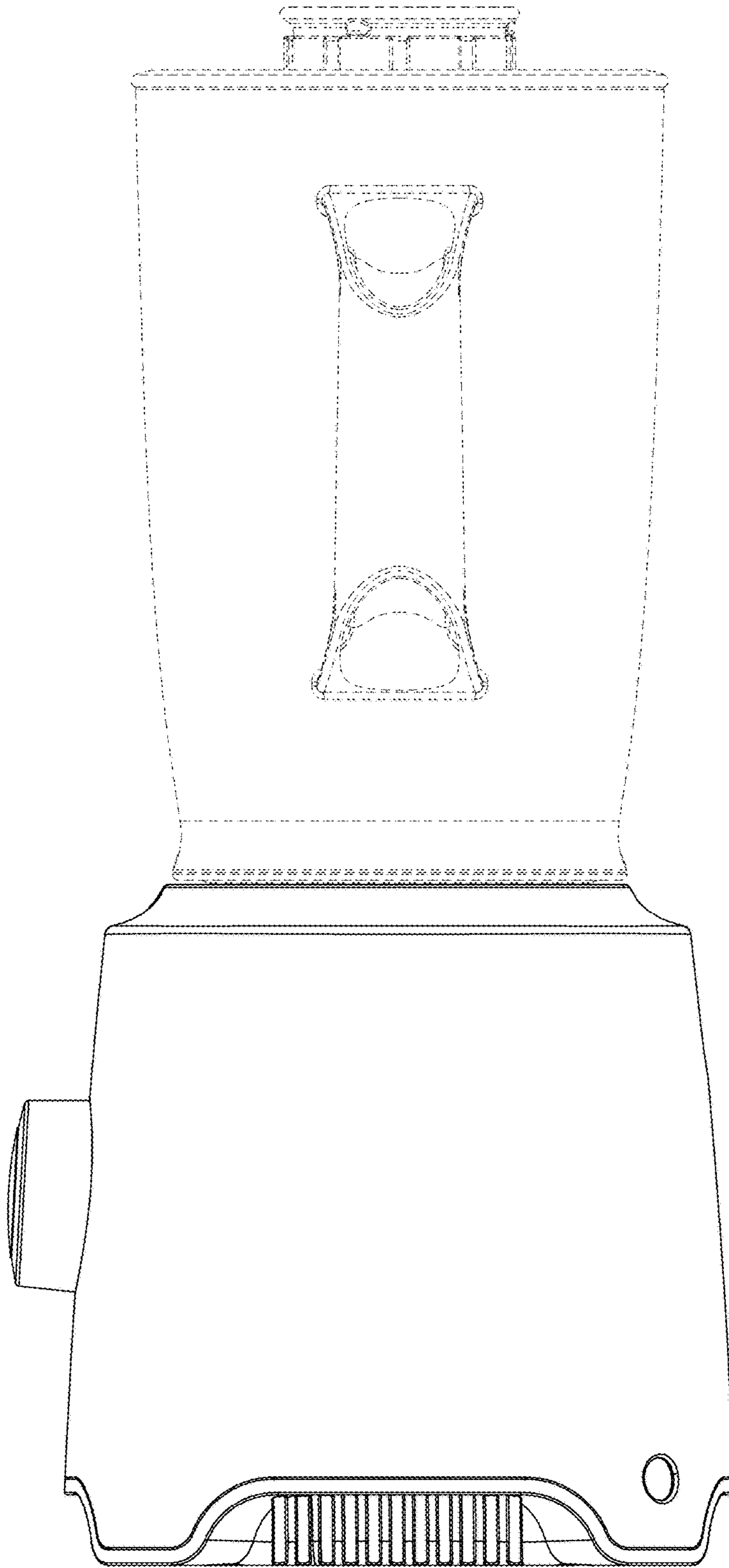
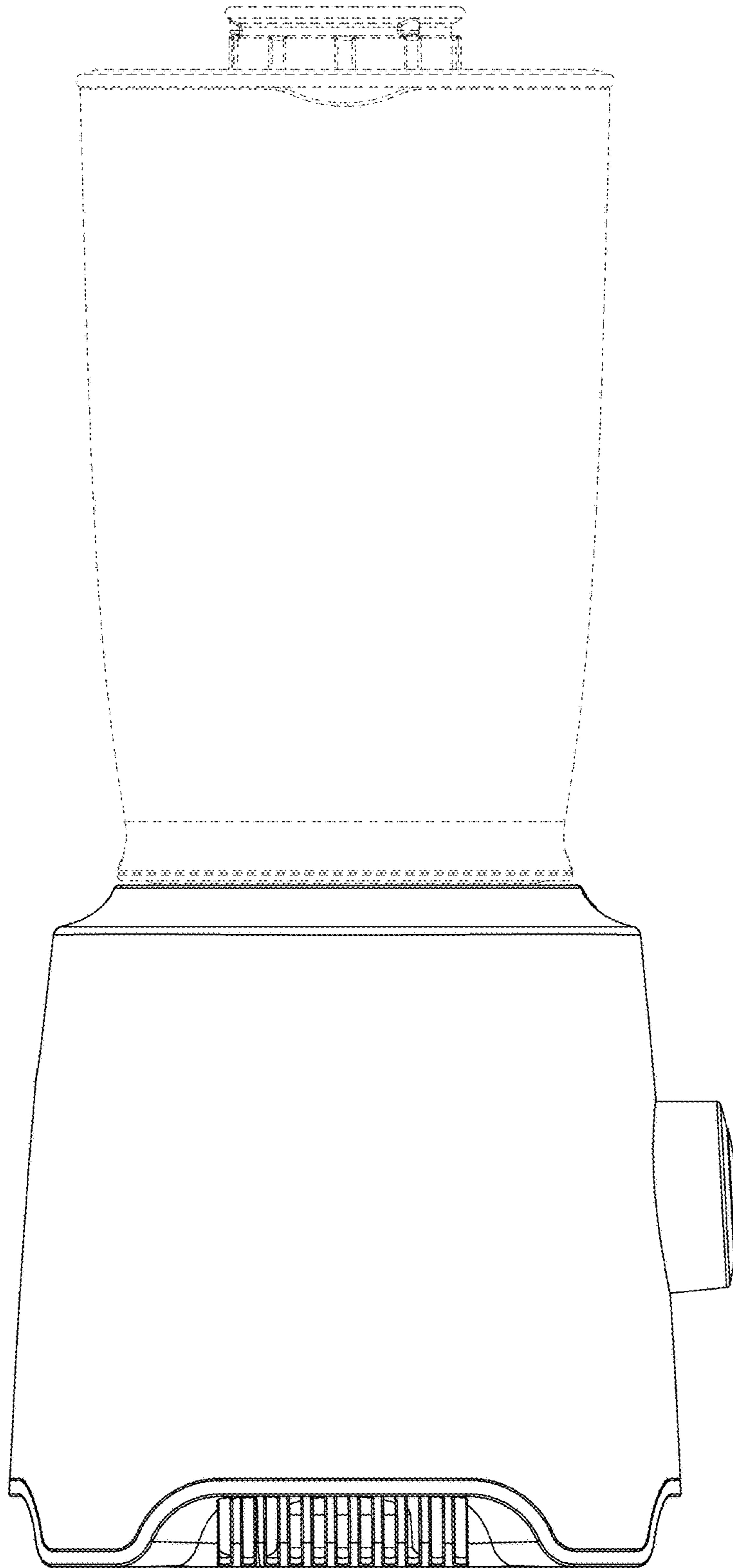
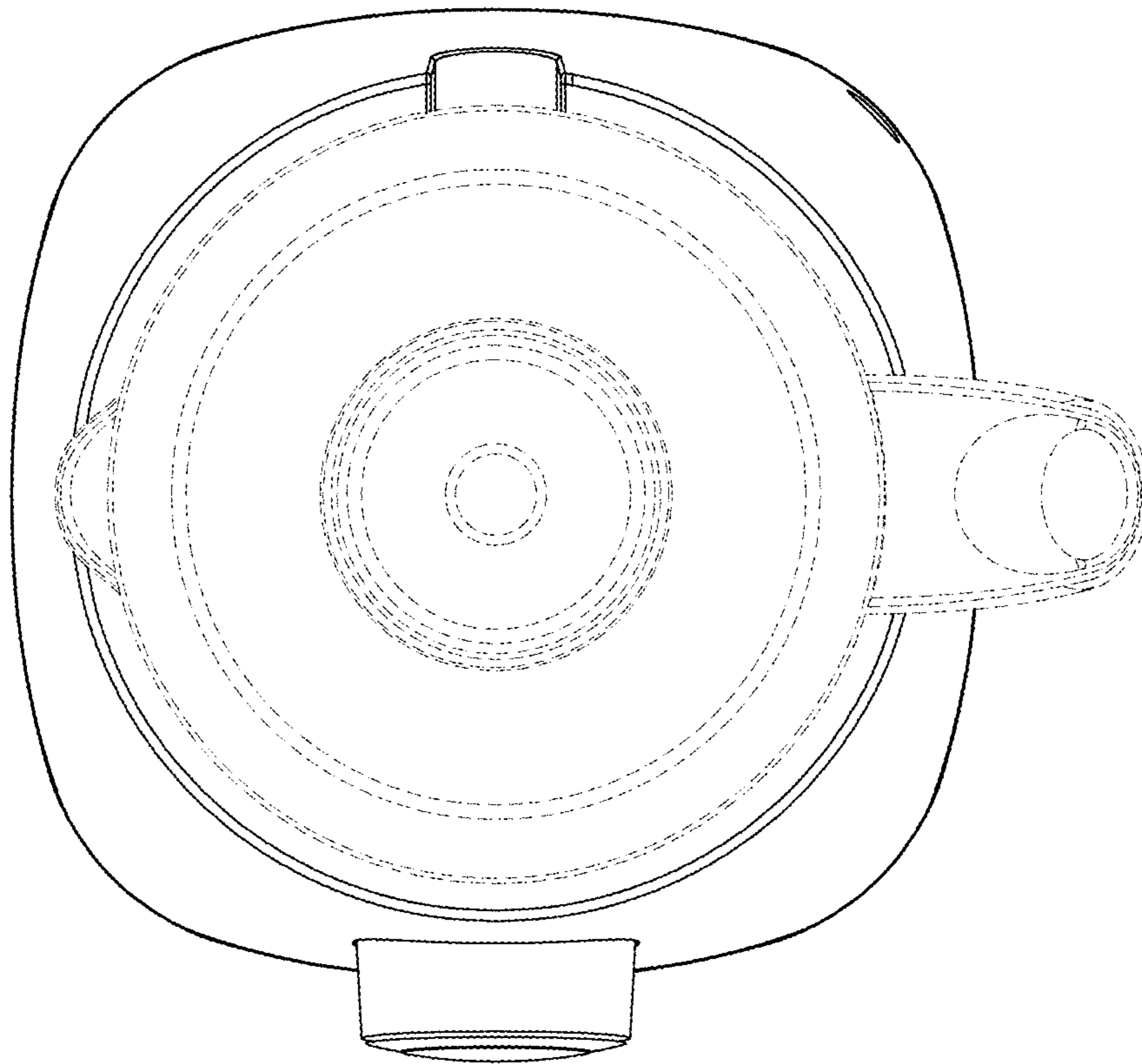


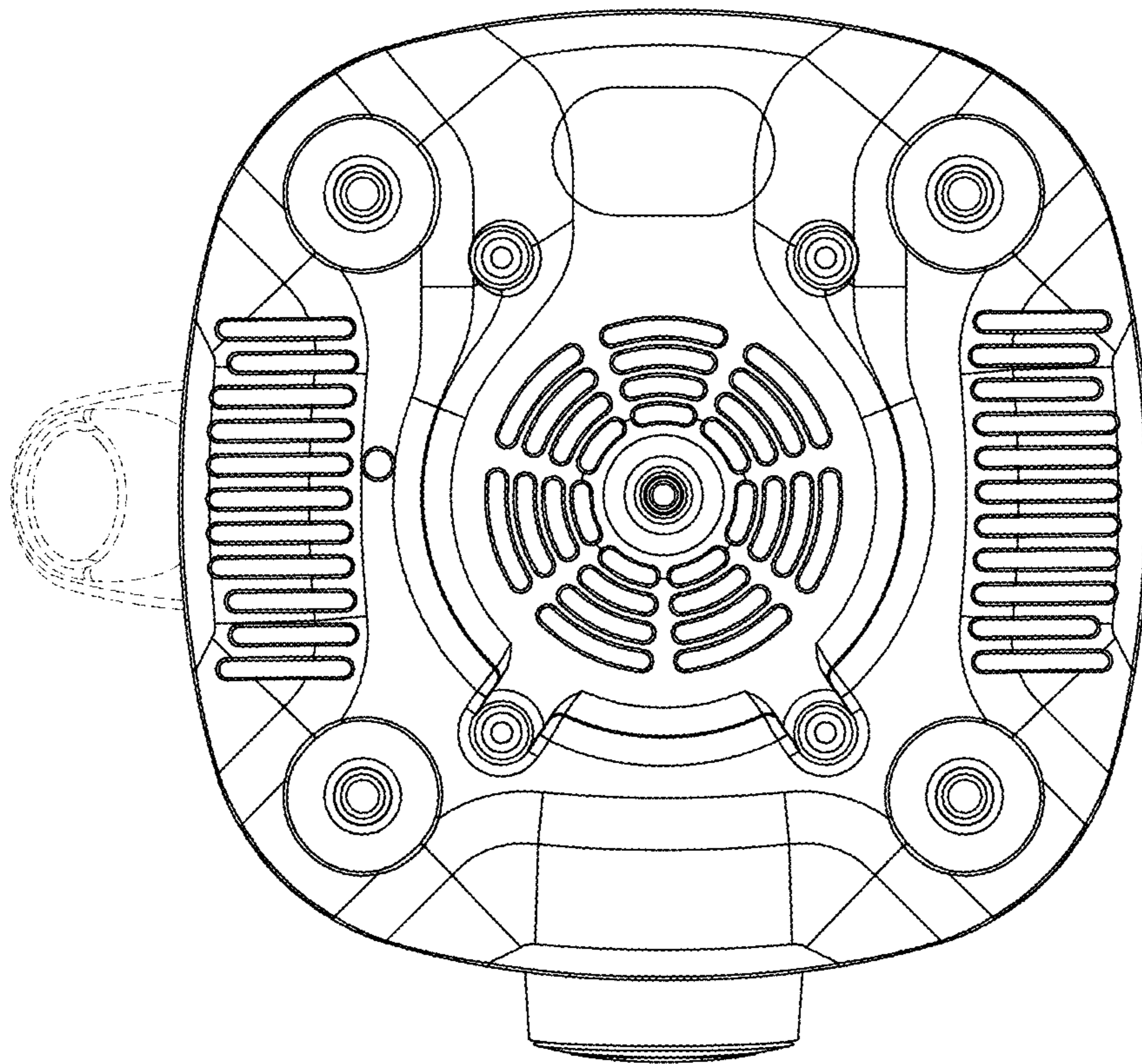
FIG. 18



**FIG. 19**

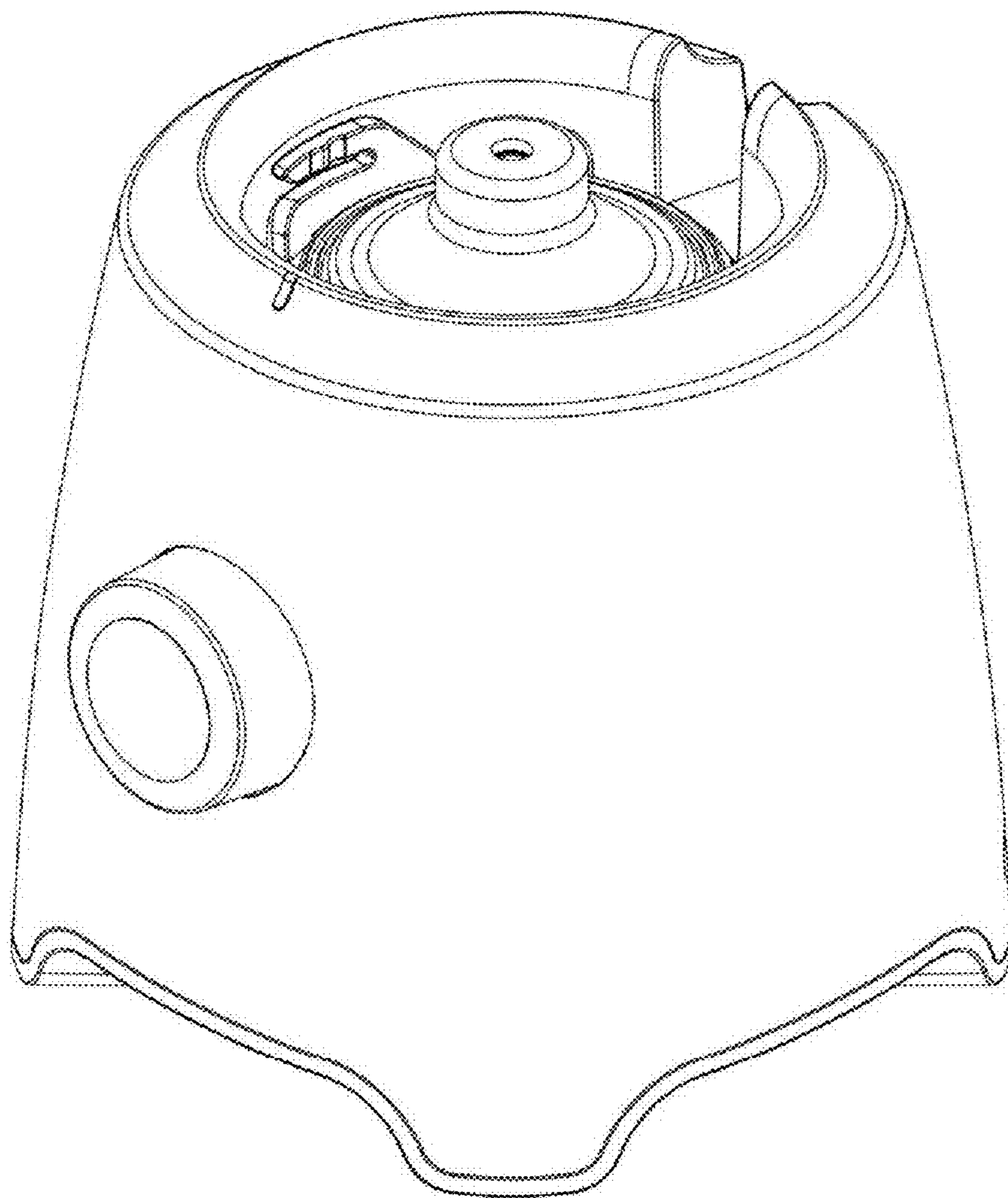


*FIG. 20*

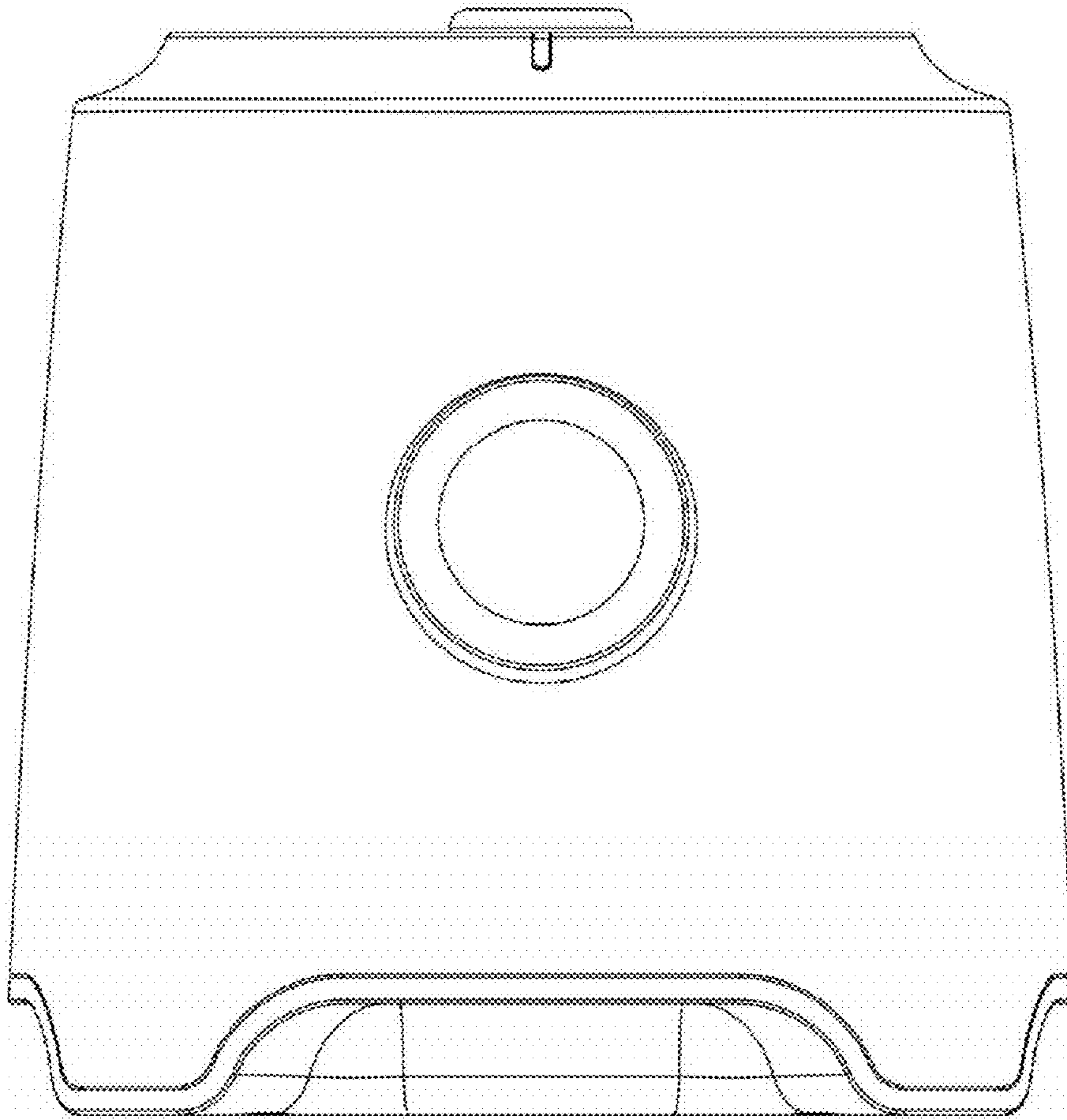


*FIG. 21*





**FIG. 22**



*FIG. 23*

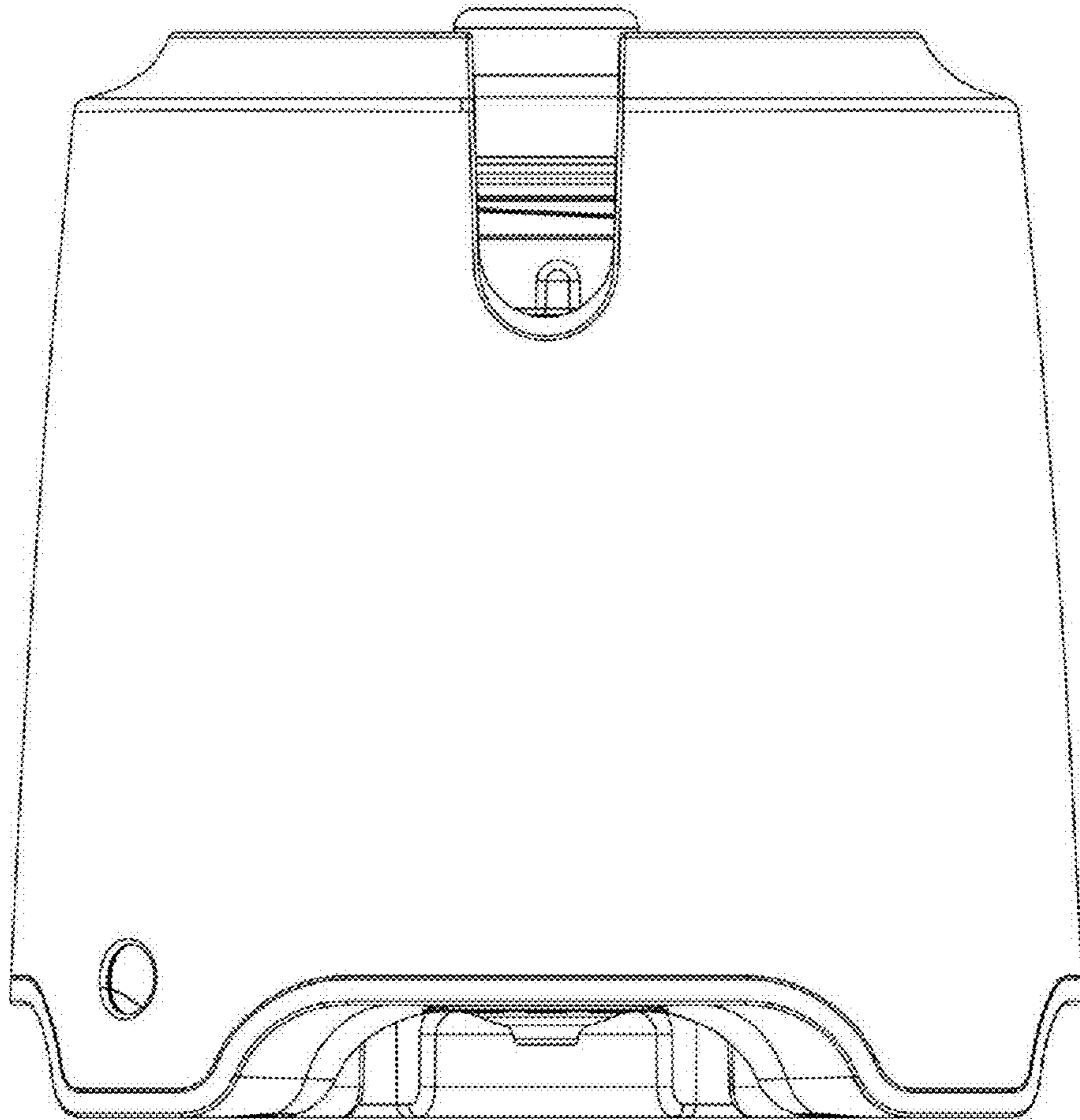
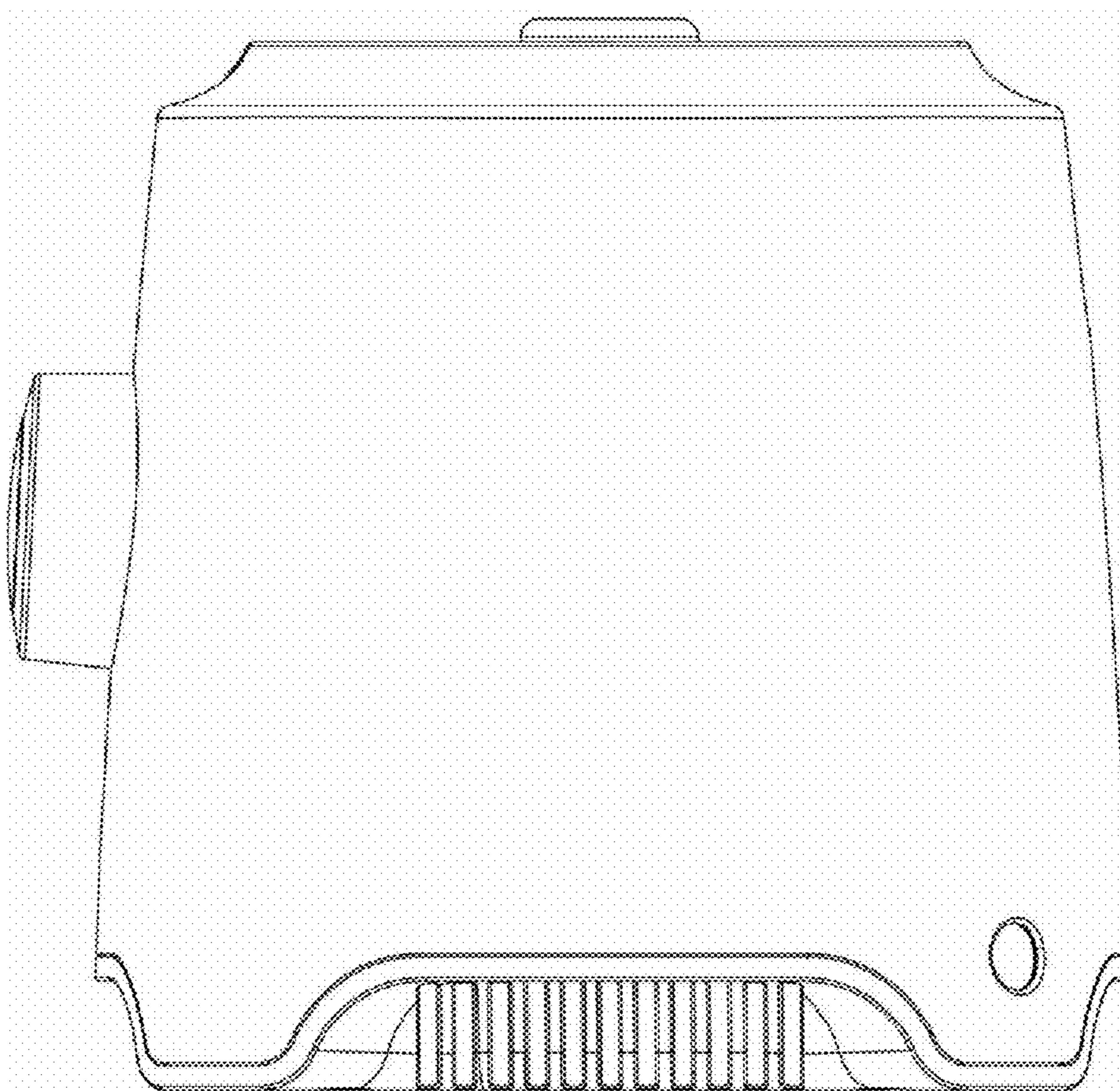
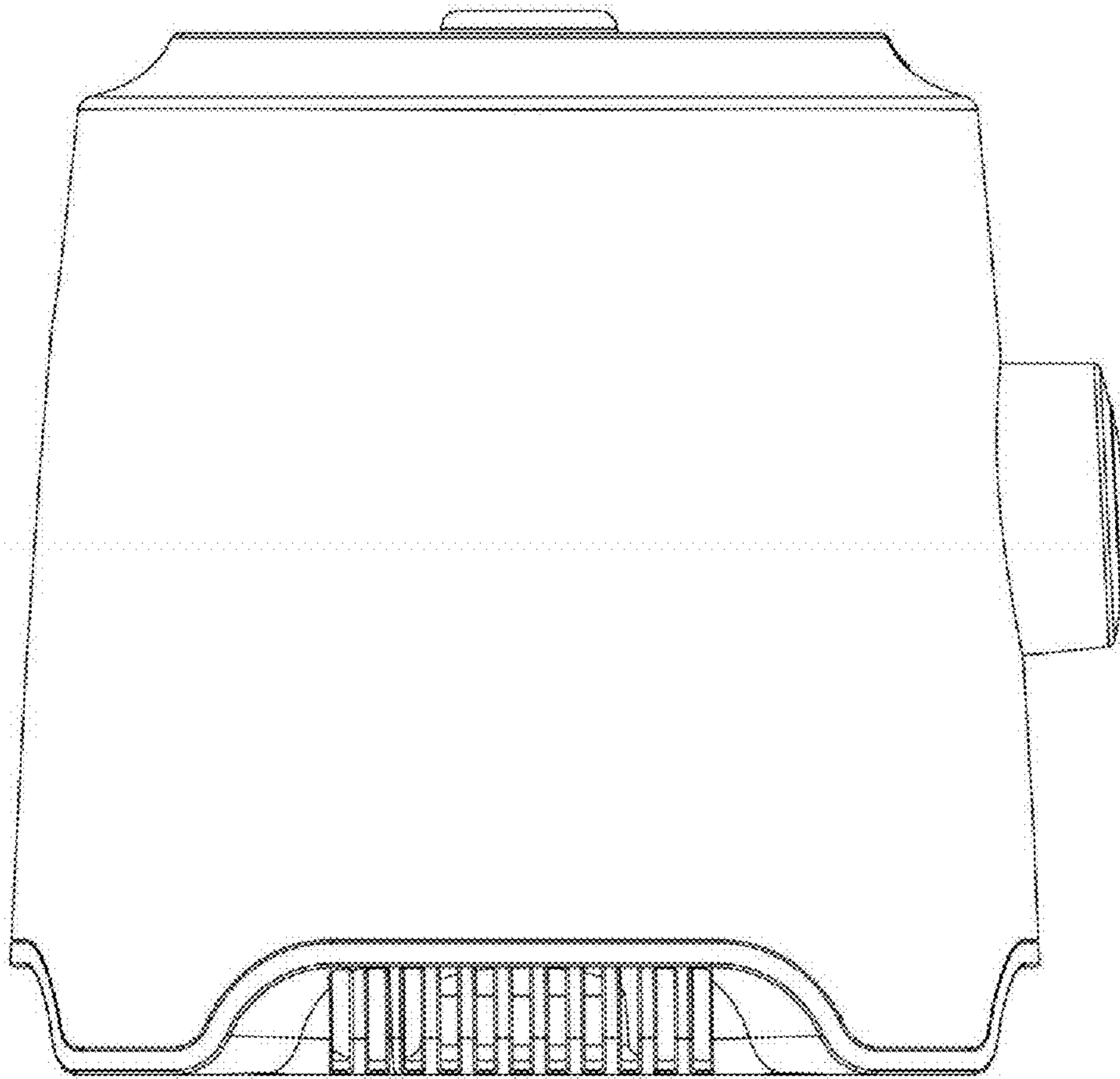


FIG. 24



*FIG. 25*



*FIG. 26*



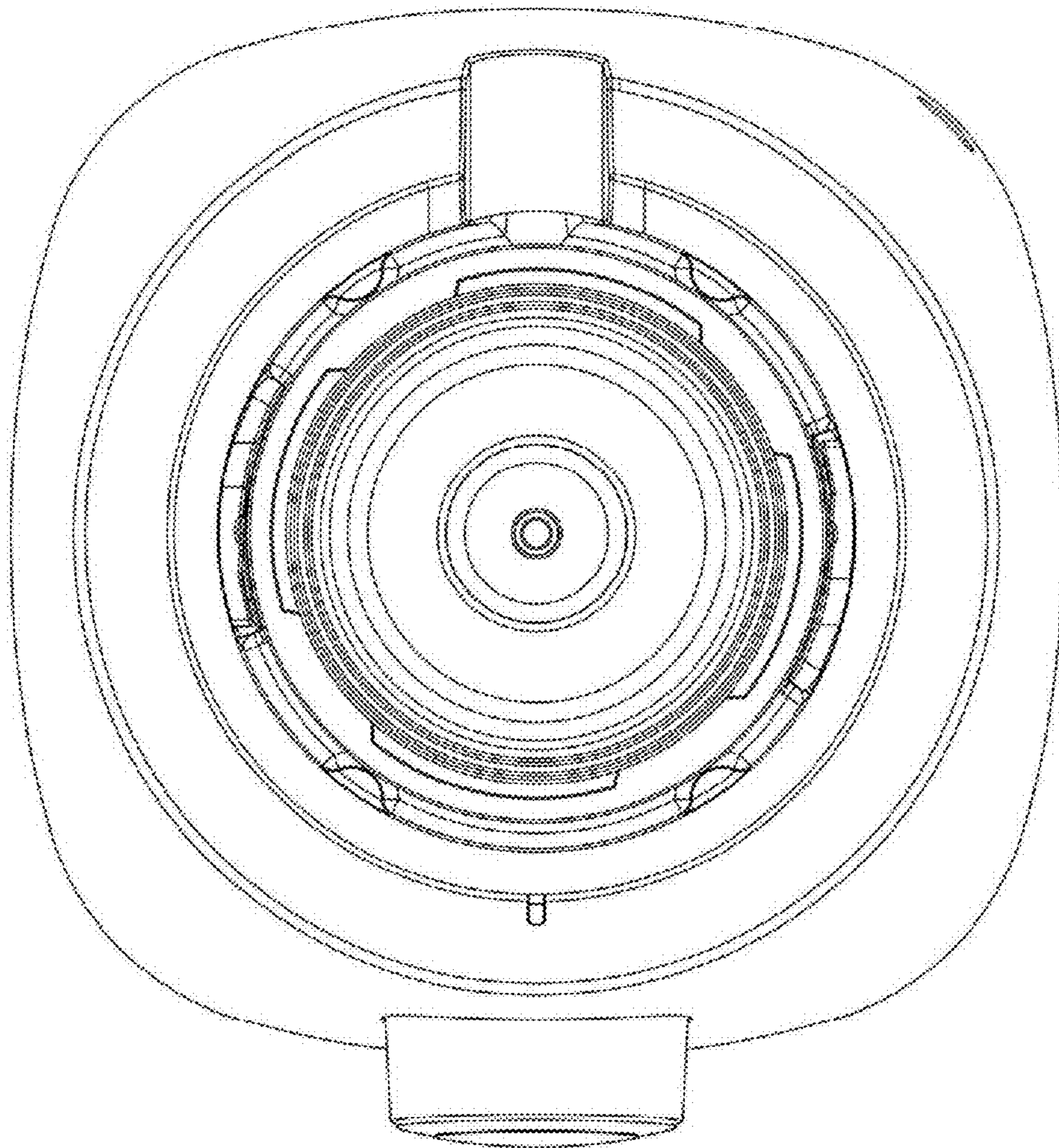


FIG. 27

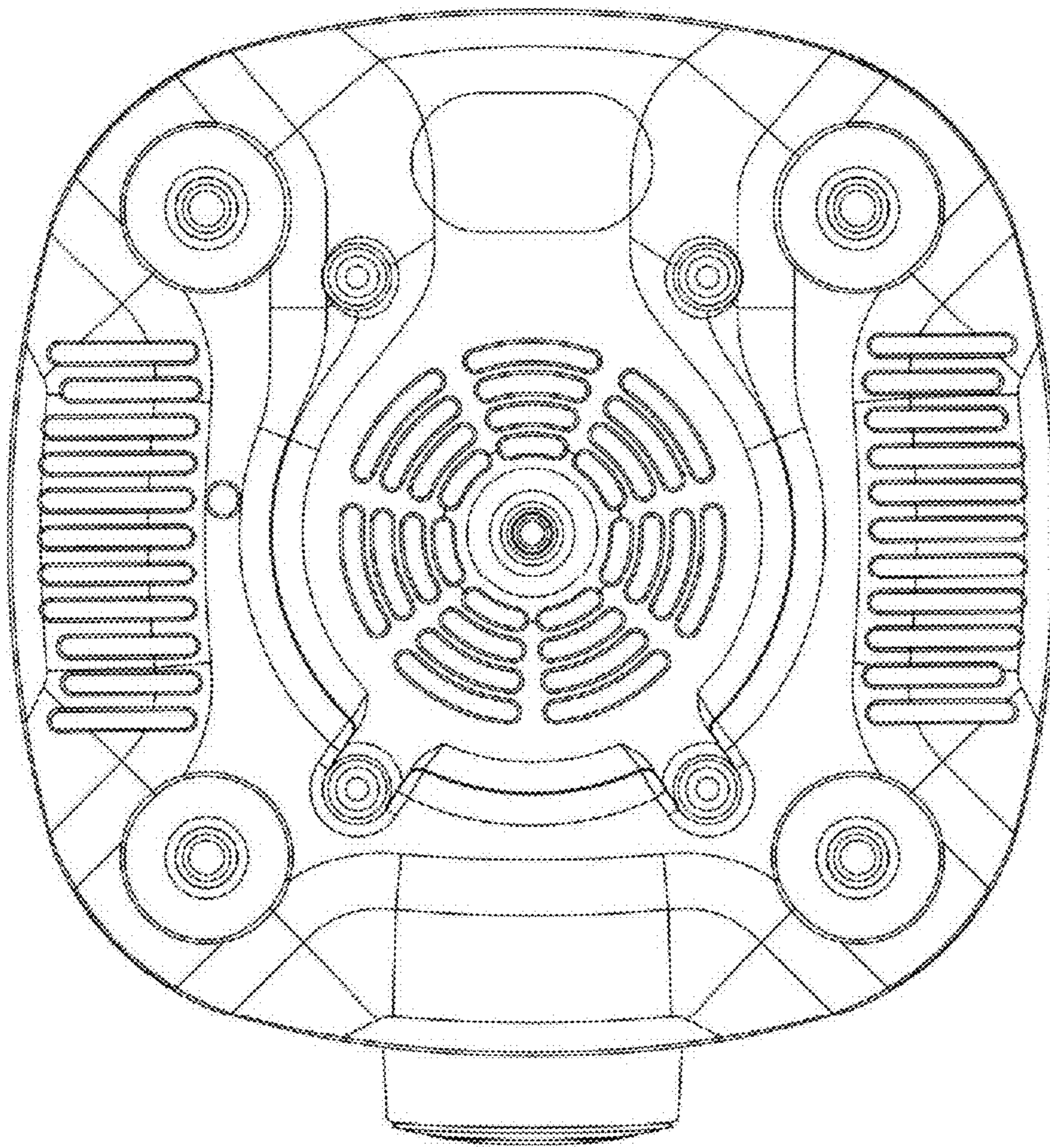


FIG. 28