



US00D784069S

(12) **United States Design Patent** (10) **Patent No.:** **US D784,069 S**
Blaise (45) **Date of Patent:** **** Apr. 18, 2017**

(54) **ELECTRIC BLENDER**

B28C 5/10; B28C 5/12; B28C 5/14;
B28C 5/16

(71) Applicant: **SEB DO BRASIL PRODUTOS**
DOMÉSTICOS LTDA, São Bernardo
do Campo (BR)

See application file for complete search history.

(72) Inventor: **Nicolas Blaise**, Caen (FR)

(73) Assignee: **SEB DO BRASIL PRODUTOS**
DOMÉSTICOS LTDA, São Bernardo
do Campo, SP (BR)

(56) **References Cited**

U.S. PATENT DOCUMENTS

D181,541 S	11/1957	Madl et al.	
D187,684 S	4/1960	Hauser	
D200,494 S	3/1965	Bezark	
D204,117 S	3/1966	Di Sesa	
3,548,280 A	12/1970	Cockroft	
D450,978 S *	11/2001	Smith	D7/378
D489,570 S *	5/2004	Feil	D7/386
D493,329 S *	7/2004	Feil	D7/378
D499,602 S *	12/2004	Feil	D7/378
D512,265 S *	12/2005	McCurrach	D7/378
D533,395 S *	12/2006	Drees	D7/378
D552,419 S *	10/2007	Picozza	D7/412
D568,096 S *	5/2008	Sun	D7/378
D605,462 S *	12/2009	Picozza	D7/378

(Continued)

(**) Term: **15 Years**

(21) Appl. No.: **29/550,732**

(22) Filed: **Jan. 6, 2016**

(30) **Foreign Application Priority Data**

Jul. 29, 2015 (BR) 30 2015 003540 4

(51) **LOC (10) Cl.** **31-00**

(52) **U.S. Cl.**
USPC **D7/378; D7/376; D7/384; D7/386;**
D7/413

(58) **Field of Classification Search**

USPC D7/326, 372, 376-386, 412-413, 602,
D7/629, 665-666, 669, 679, 693-694
CPC A21C 1/02; A21C 1/04; A23N 1/00; A23N
1/02; A47J 43/04; A47J 43/25; A47J
43/27; A47J 43/042; A47J 43/044; A47J
43/046; A47J 43/075; A47J 43/0716;
A47J 43/0722; A47J 43/0727; B01F 3/00;
B01F 3/0807; B01F 3/0853; B01F
13/0059; B01F 13/0064; B02C 1/08;
B02C 2/04; B02C 4/42; B02C 4/142;
B02C 4/143; B02C 4/423; B02C 13/1835;

Primary Examiner — Ricky Pham

(74) *Attorney, Agent, or Firm* — Loeb & Loeb LLP

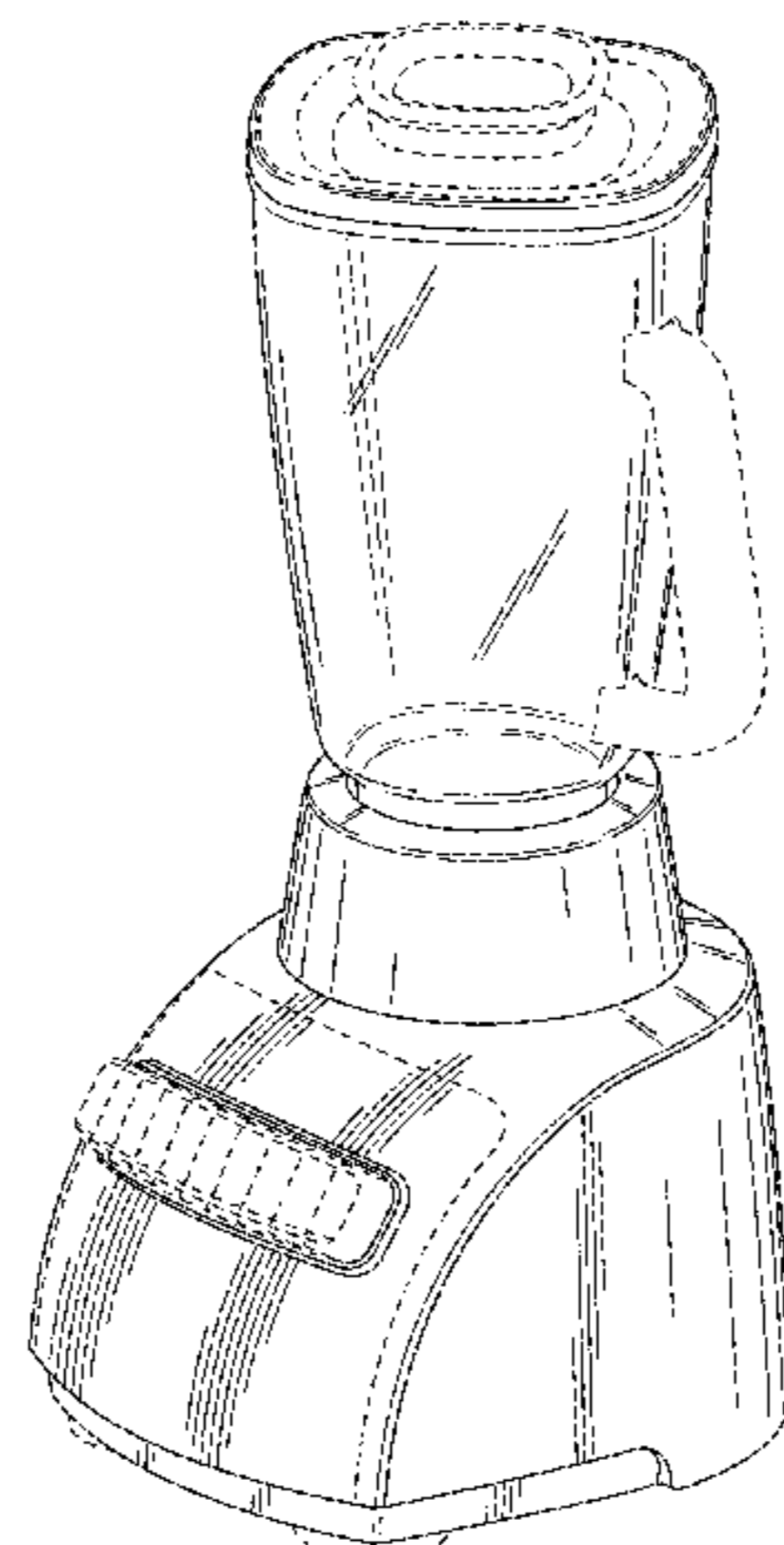
(57) **CLAIM**

The ornamental design for an electric blender, as shown and described.

DESCRIPTION

FIG. 1 is a perspective view of an embodiment of an electric blender showing my new design;
FIG. 2 is a front elevational view of the electric blender of FIG. 1;
FIG. 3 is a rear elevational view of the electric blender of FIG. 1;
FIG. 4 is a right side elevational view of the electric blender of FIG. 1;
FIG. 5 is a left side elevational view of the electric blender of FIG. 1;
FIG. 6 is a top view of the electric blender of FIG. 1; and,
FIG. 7 is a bottom view of the electric blender of FIG. 1.

(Continued)



The broken lines shown in the figure drawings are for the purpose of illustration and form no part of the claimed design.

1 Claim, 7 Drawing Sheets

(56)

References Cited

U.S. PATENT DOCUMENTS

D613,550 S * 4/2010 Picozza D7/378
 D616,244 S 5/2010 Thai et al.
 D617,136 S * 6/2010 Bock D7/378
 D617,145 S * 6/2010 Picozza D7/378
 7,871,195 B2 * 1/2011 Larsen A47J 43/046
 366/194
 D642,857 S 8/2011 Bodum
 D642,858 S 8/2011 Lazzer

D644,480 S * 9/2011 Czach D7/376
 D674,658 S * 1/2013 Fouquet D7/376
 D677,976 S * 3/2013 Palermo D7/376
 D690,152 S 9/2013 Palermo et al.
 D694,574 S * 12/2013 Norland D7/376
 D694,582 S * 12/2013 Norland D7/376
 D702,078 S 4/2014 Coakley et al.
 D730,682 S * 6/2015 Tu D7/376
 D731,234 S 6/2015 Weaden et al.
 D733,488 S * 7/2015 Tu D7/376
 D745,317 S * 12/2015 Dichraff D7/376
 D747,135 S 1/2016 Ha
 D755,003 S * 5/2016 Palermo D7/376
 D758,787 S 6/2016 Ou
 D765,462 S * 9/2016 Davies D7/376
 D765,465 S * 9/2016 Du D7/376
 D771,999 S * 11/2016 Kettavong D7/376
 2008/0089171 A1 * 4/2008 Larsen A47J 43/046
 366/206

* cited by examiner

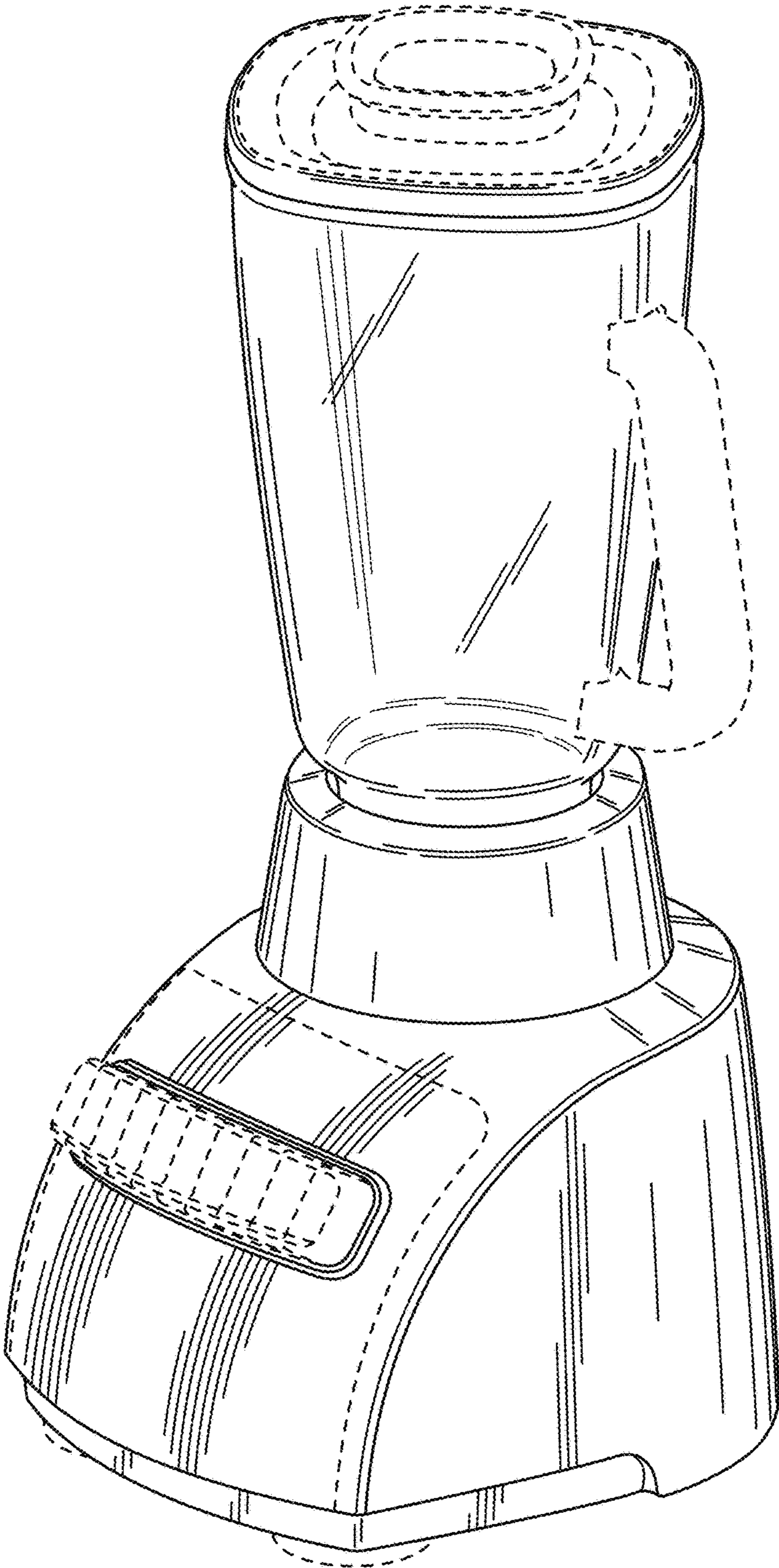


FIG. 1

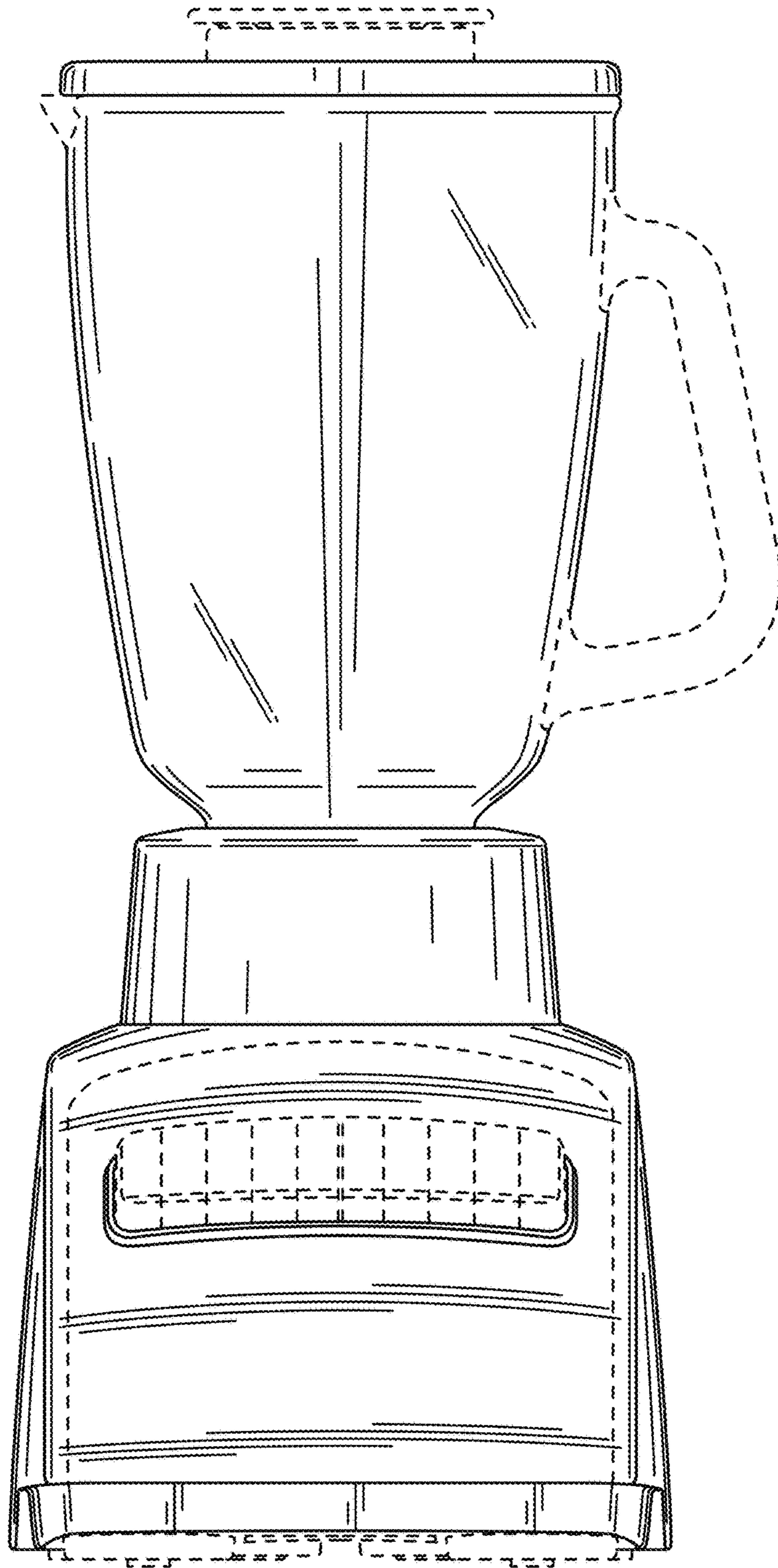


FIG. 2

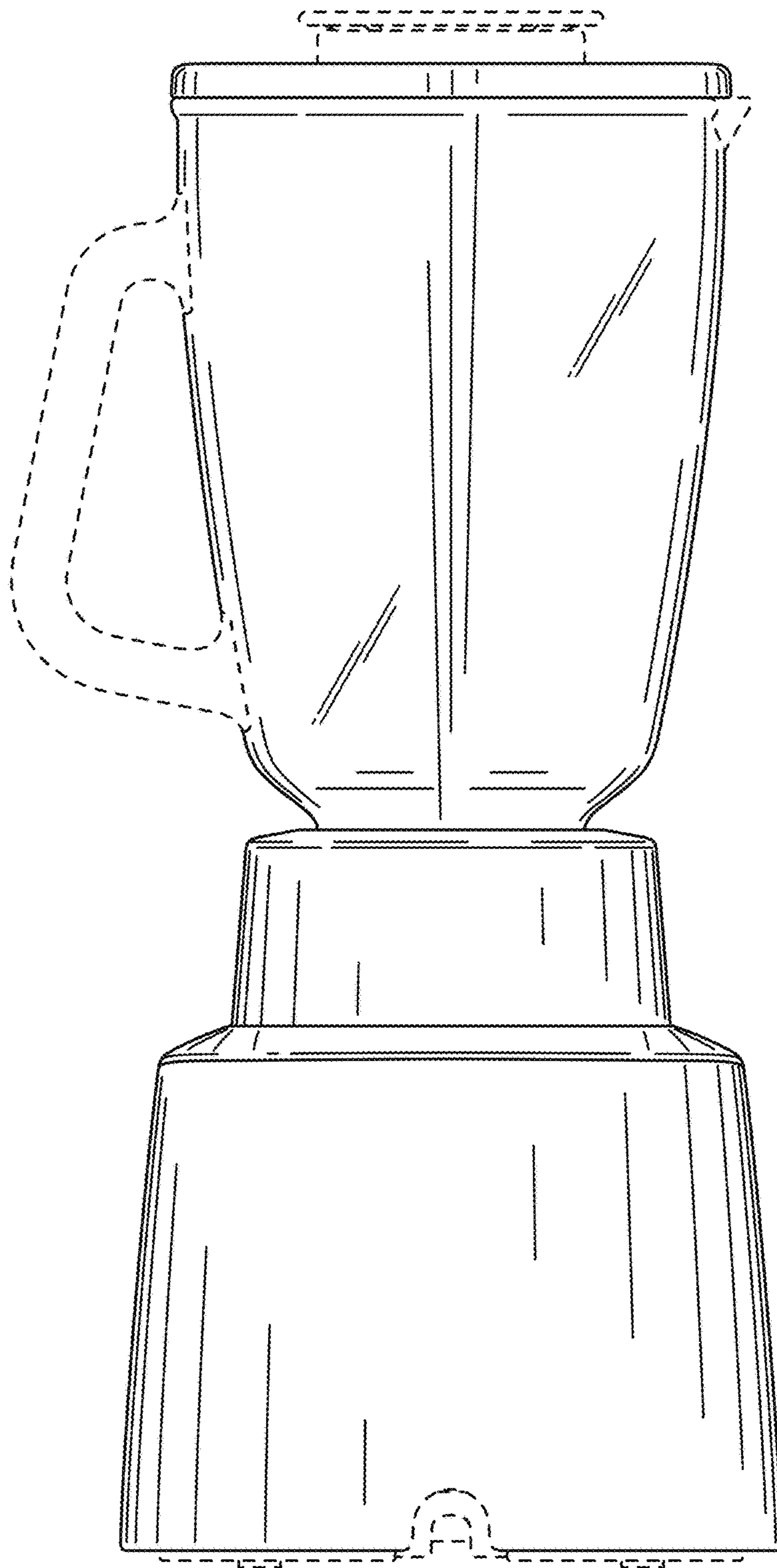


FIG. 3

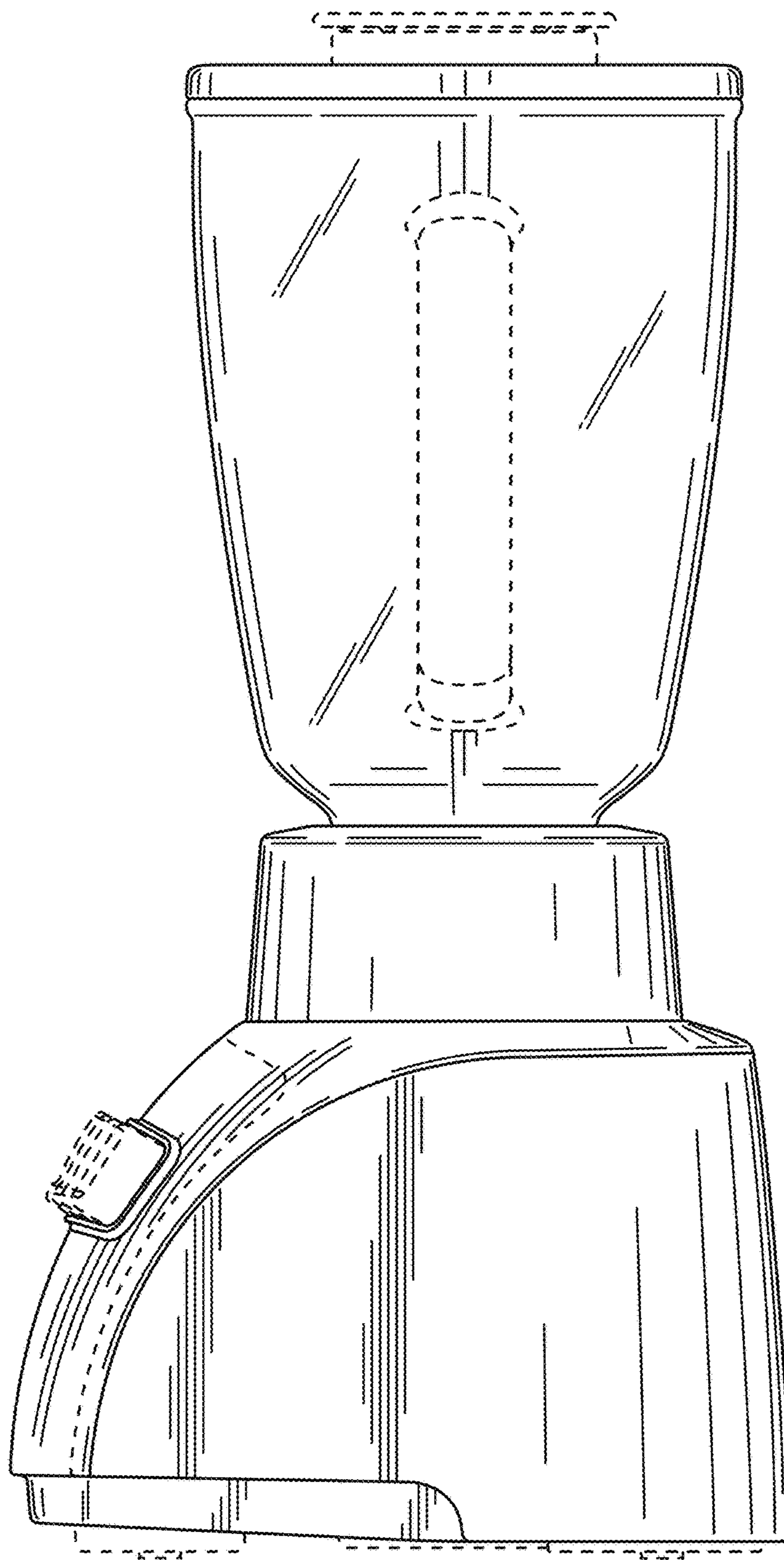


FIG. 4

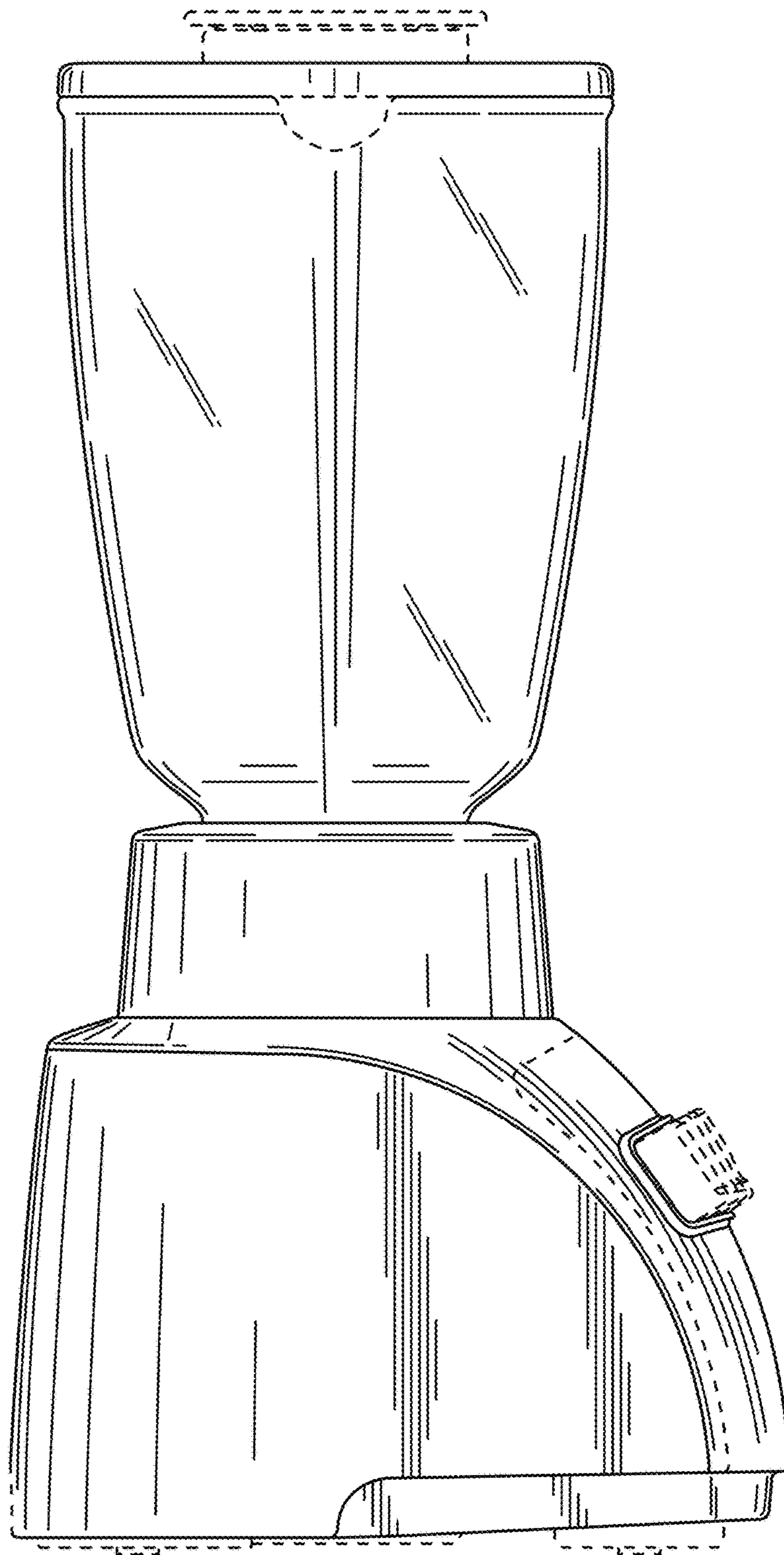


FIG. 5

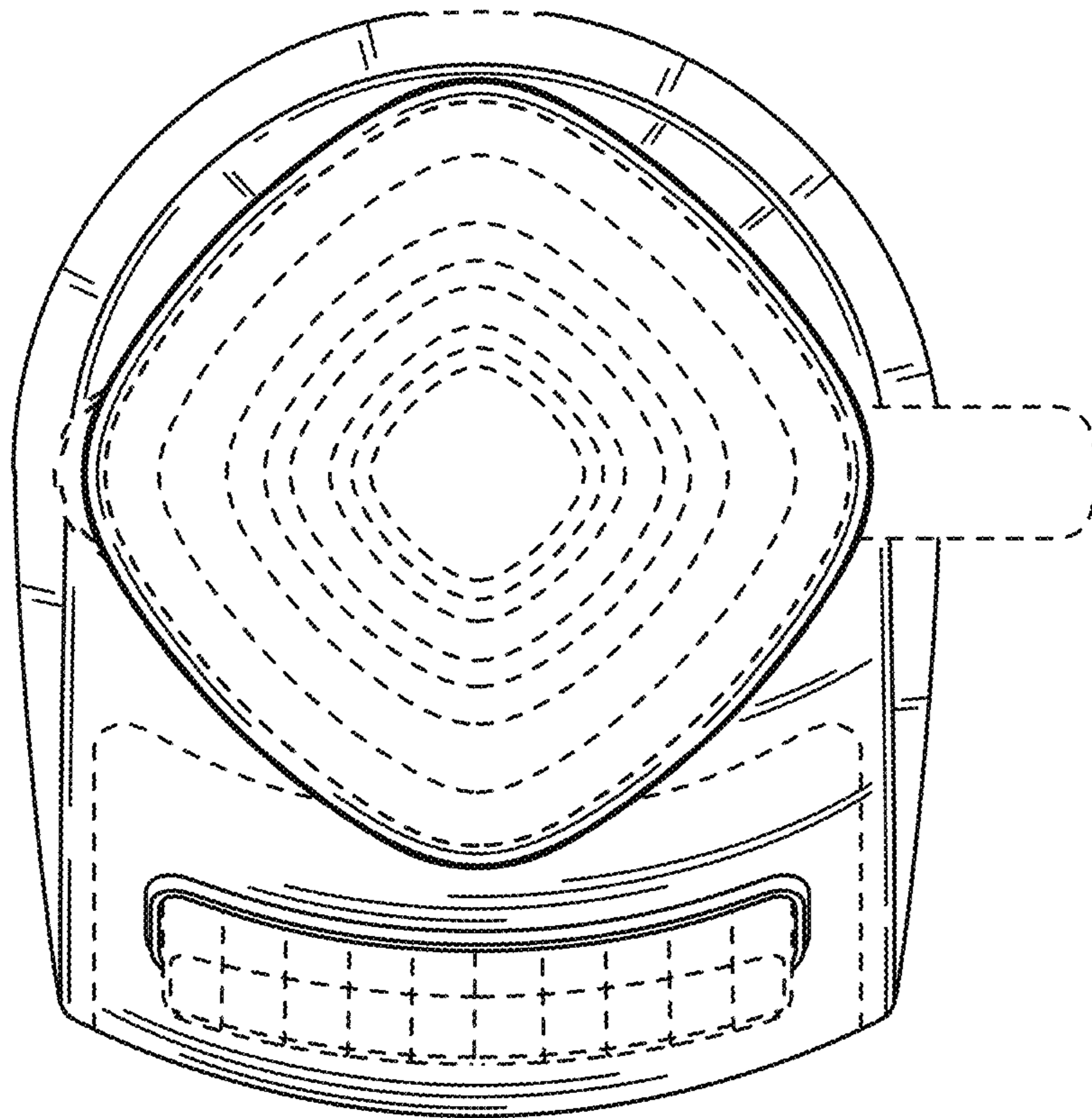


FIG. 6

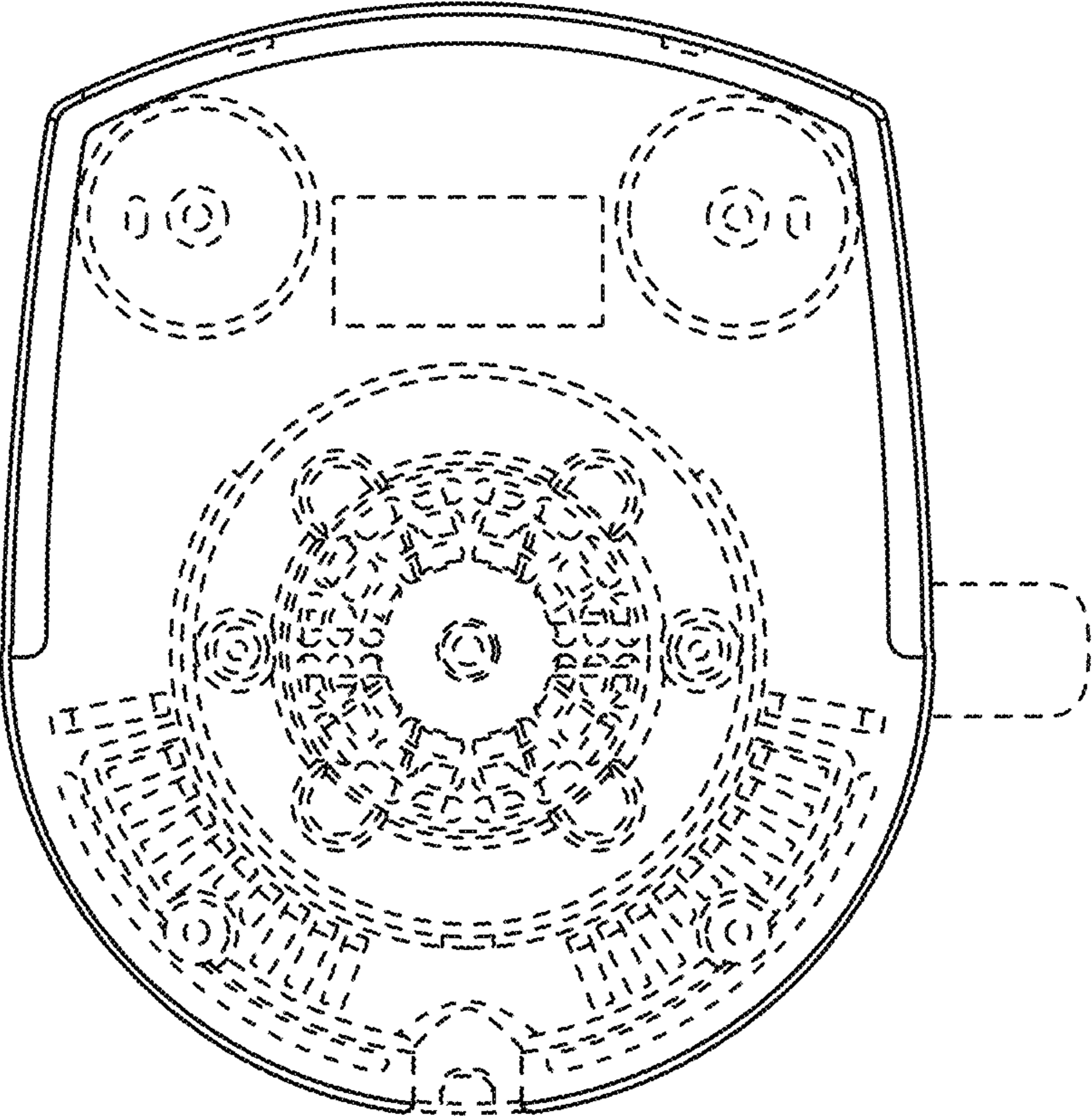


FIG. 7