



US00D784068S

(12) **United States Design Patent**  
**Barth**

(10) **Patent No.:** **US D784,068 S**

(45) **Date of Patent:** **\*\* Apr. 18, 2017**

(54) **OVAL PAN**

(71) Applicant: **BRADSHAW INTERNATIONAL, INC.**, Rancho Cucamonga, CA (US)

(72) Inventor: **Leah Barth**, Rancho Cucamonga, CA (US)

(73) Assignee: **BRADSHAW INTERNATIONAL, INC.**, Rancho Cucamonga, CA (US)

(\*\*) Term: **15 Years**

(21) Appl. No.: **29/552,292**

(22) Filed: **Jan. 21, 2016**

(51) **LOC (10) Cl.** ..... **07-02**

(52) **U.S. Cl.**  
USPC ..... **D7/361; D7/354**

(58) **Field of Classification Search**  
USPC ..... D7/323, 354-363, 391, 393-396, 409, D7/560, 587; D30/129  
CPC ..... A47G 19/12; A47J 27/00; A47J 27/002; A47J 27/08; A47J 27/21; A47J 27/58; A47J 36/025; A47J 36/06; A47J 36/12; A47J 37/00; A47J 37/10; A47J 37/101; A47J 37/103; A47J 37/12; A47J 37/1204; A47J 45/061; A47J 45/071; A47J 45/08; H05B 6/12

See application file for complete search history.

(56) **References Cited**

**U.S. PATENT DOCUMENTS**

D470,716 S \* 2/2003 Kloppsteck ..... D7/361  
D482,563 S \* 11/2003 Candianides ..... D7/361

D499,930 S \* 12/2004 Bodum ..... D7/361  
D544,294 S \* 6/2007 Lee ..... D7/354  
D545,630 S \* 7/2007 Serra ..... D7/545  
D579,715 S \* 11/2008 Pawson ..... D7/361  
D586,611 S \* 2/2009 Solis ..... D7/354  
D587,063 S \* 2/2009 Solis ..... D7/361  
D598,702 S \* 8/2009 Hoekstra ..... D7/361  
D626,791 S \* 11/2010 Sierra ..... D7/587  
D693,627 S \* 11/2013 Moon ..... D7/354  
D777,506 S \* 1/2017 Mirchandani ..... D7/354  
D777,992 S \* 1/2017 Tsengas ..... D30/129

\* cited by examiner

*Primary Examiner* — Ricky Pham

(74) *Attorney, Agent, or Firm* — Birch, Stewart, Kolasch & Birch, LLP

(57) **CLAIM**

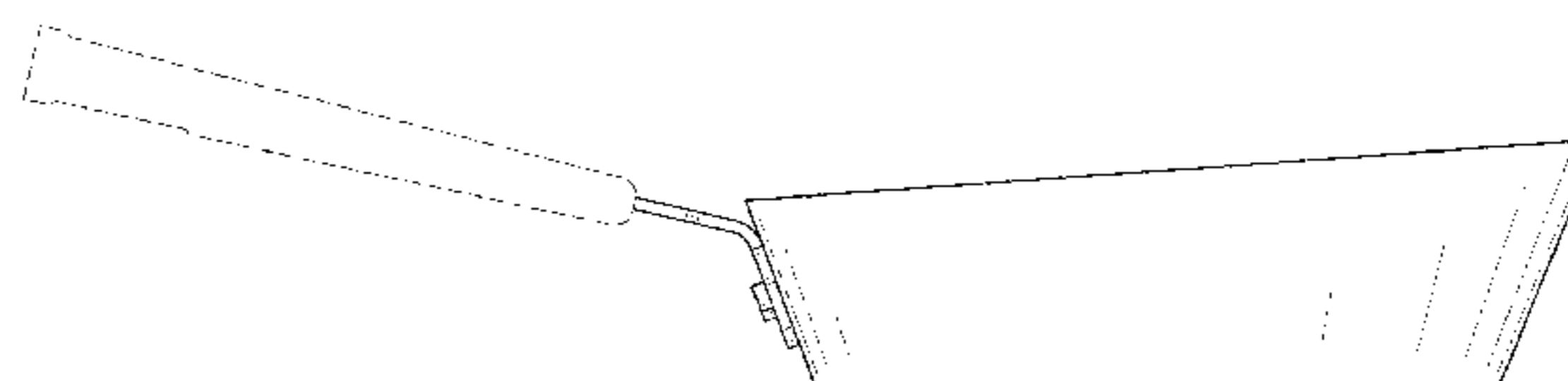
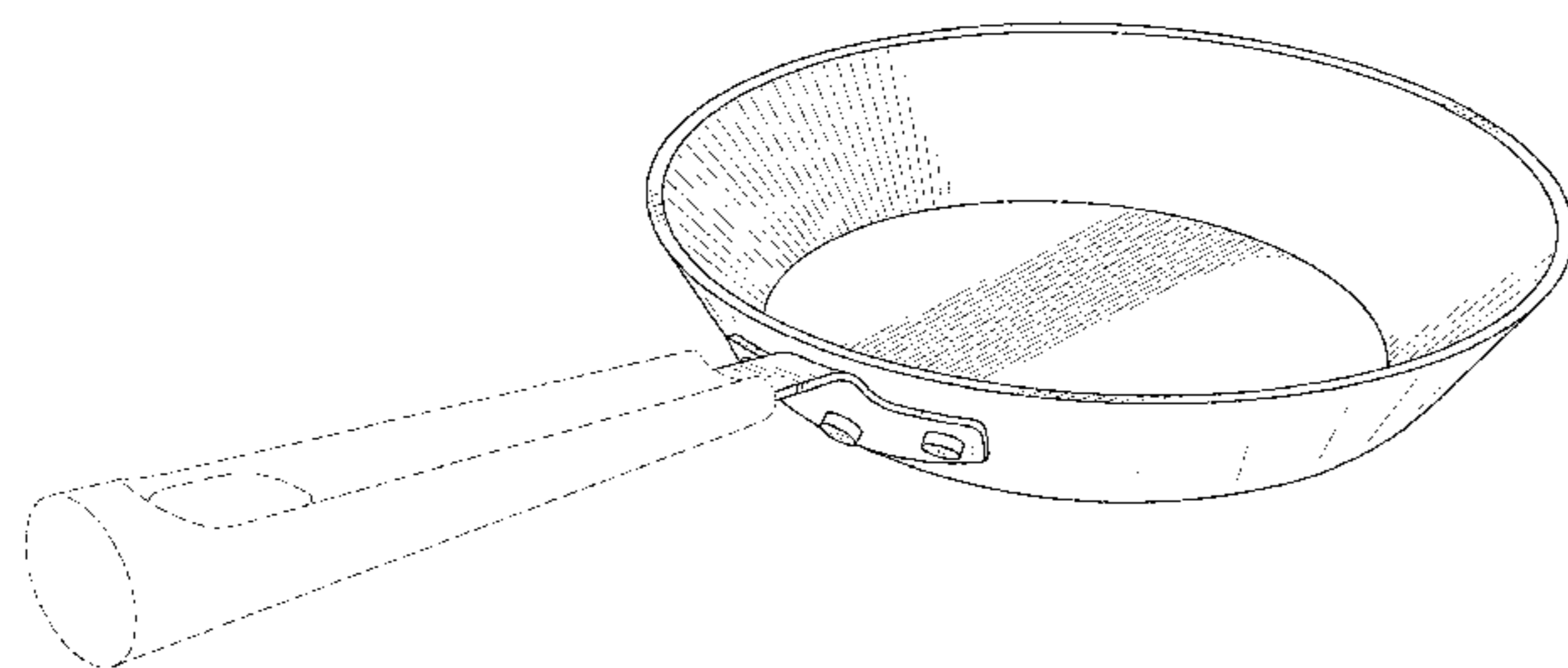
The ornamental design for an oval pan, as shown and described.

**DESCRIPTION**

FIG. 1 is a front, right perspective view of an oval pan showing my new design;  
FIG. 2 is a top view thereof;  
FIG. 3 is a bottom view thereof;  
FIG. 4 is a right side view thereof;  
FIG. 5 is a left side view thereof;  
FIG. 6 is a front view thereof; and,  
FIG. 7 is a rear view thereof.

The portions of the drawings illustrated in broken lines are directed to the boundary of the design and form no part of the claimed design.

**1 Claim, 7 Drawing Sheets**



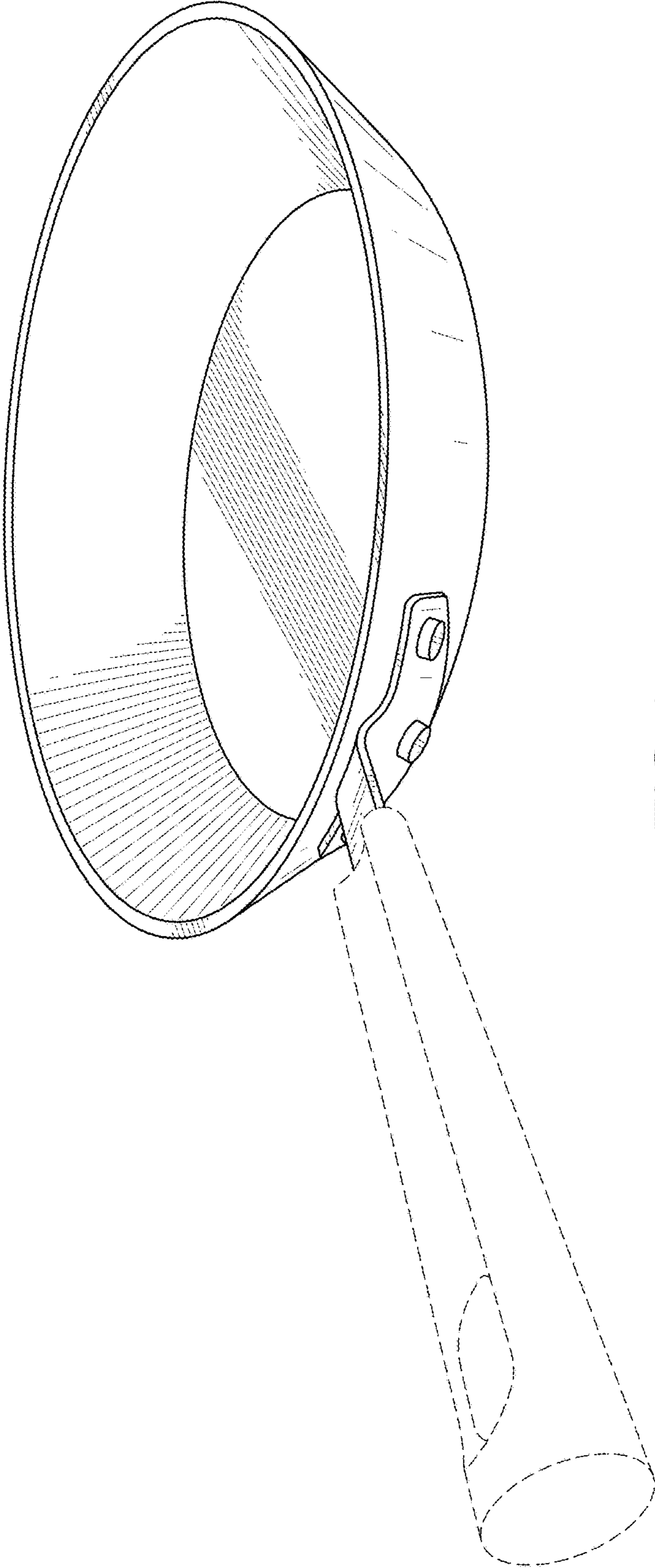


FIG.1

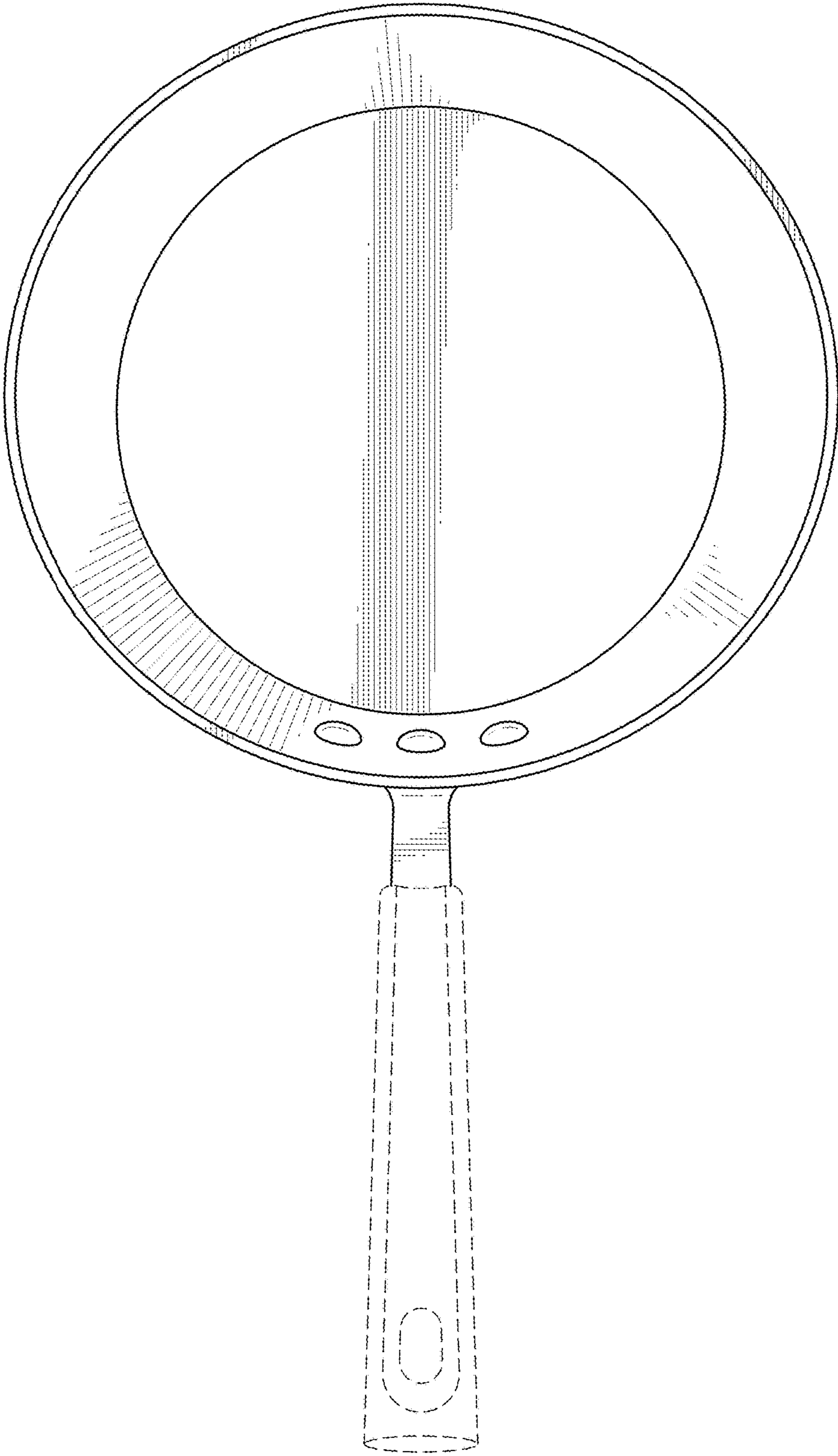


FIG.2

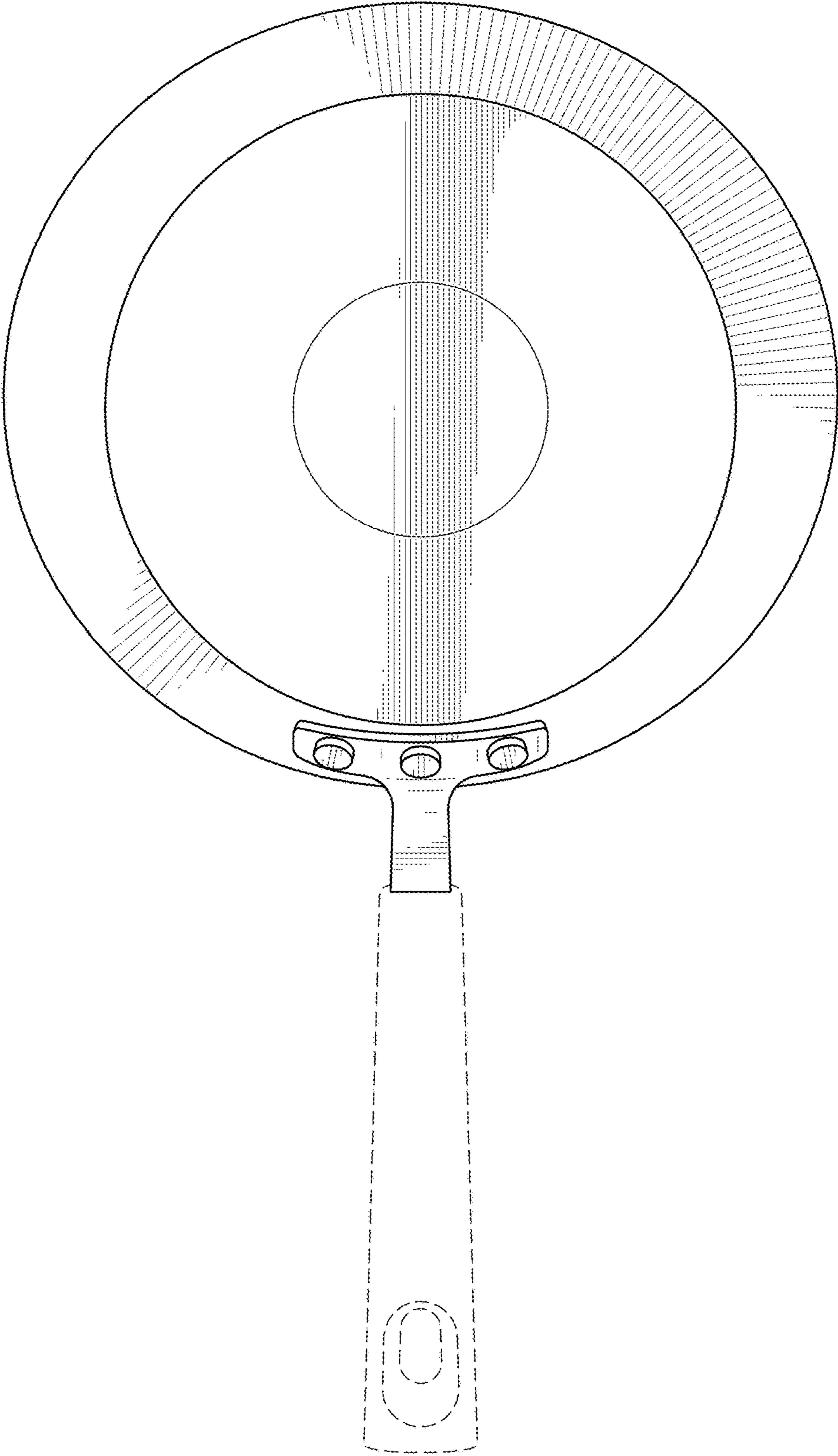


FIG.3

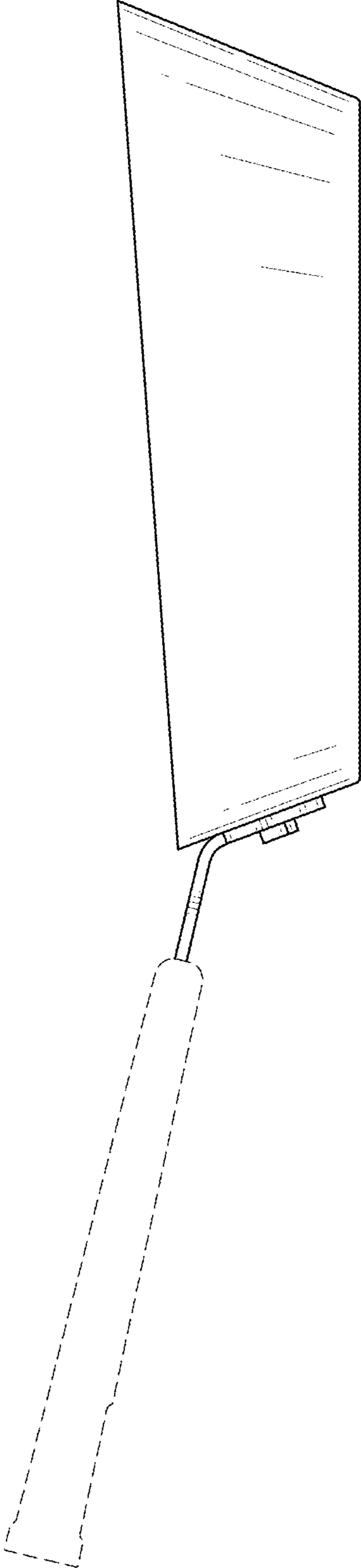


FIG.4

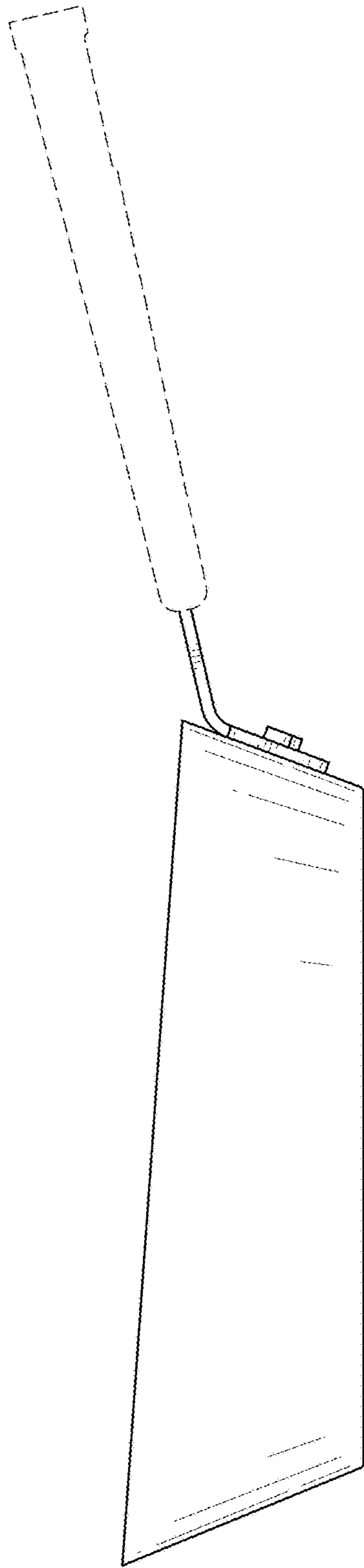


FIG.5



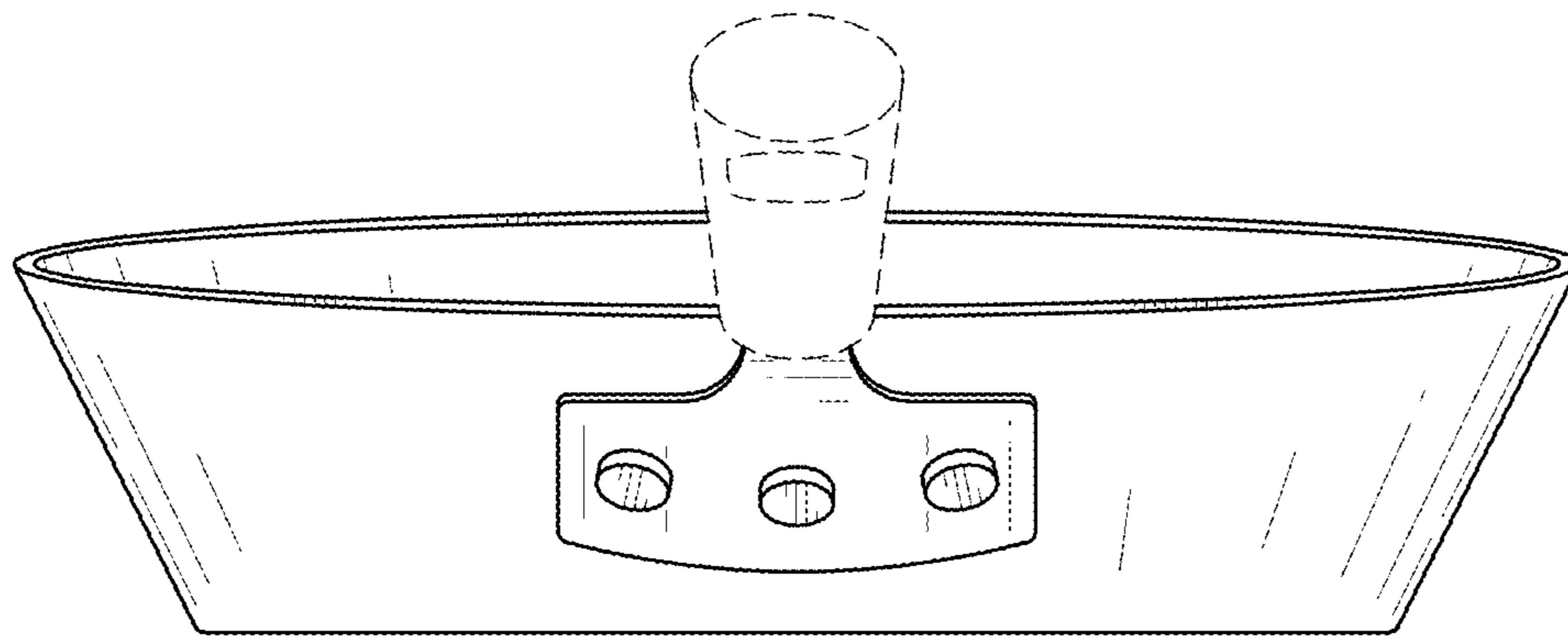


FIG.6

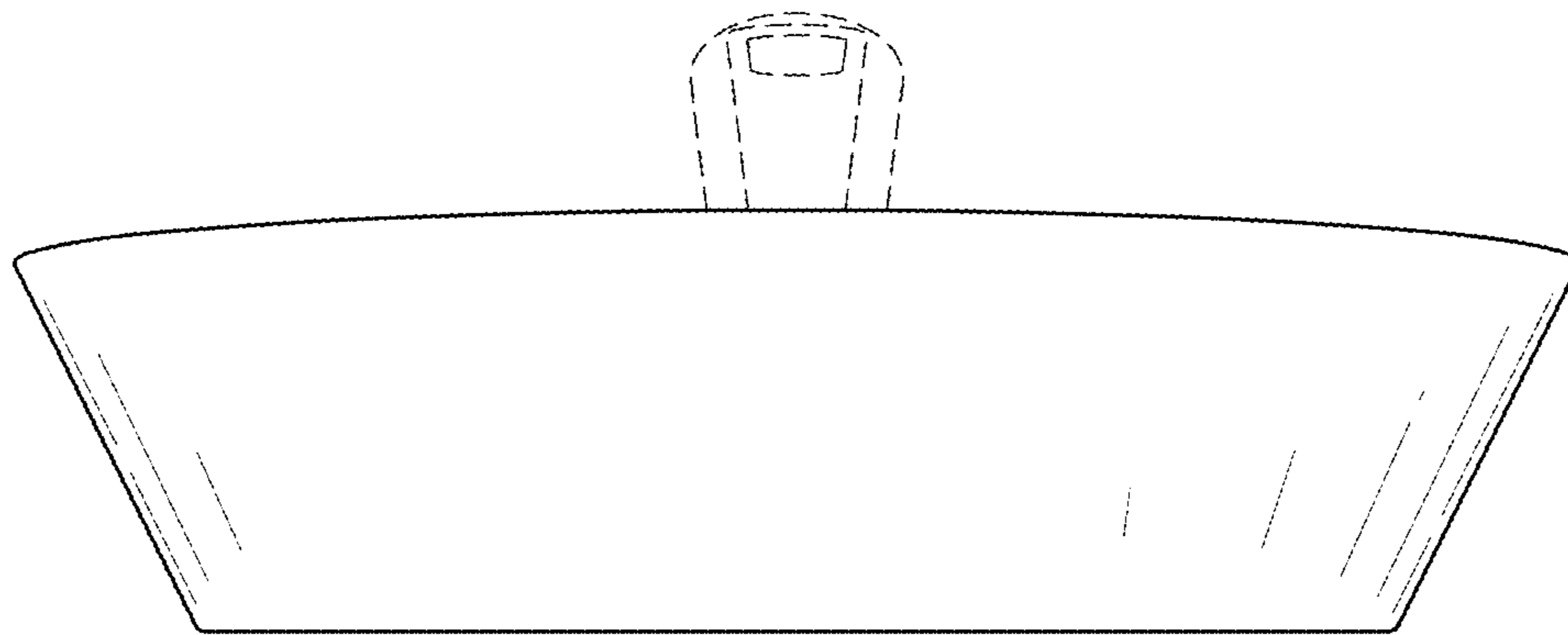


FIG.7