



US00D784066S

(12) **United States Design Patent** (10) **Patent No.:** **US D784,066 S**  
**Keating** (45) **Date of Patent:** **\*\* Apr. 18, 2017**

(54) **BAKING PAN INSERT**

FOREIGN PATENT DOCUMENTS

(71) Applicant: **TUESDAY MORNING PARTNERS, LTD.**, Dallas, TX (US)

CA 2592805 A1 6/2006  
CN 202941328 U 5/2013  
EP 0801899 A2 10/1997

(72) Inventor: **Daniel S. Keating**, Colorado Springs, CO (US)

OTHER PUBLICATIONS

(73) Assignee: **TUESDAY MORNING PARTNERS, LTD.**, Dallas, TX (US)

“Slice Solutions 9-Inch Sectioned Pie Pan Set”, printed from www.m.amazon.com/dp/B00186YXLM?encoding=UTF8&colid=455FRJ702I4G&coliid=I3HBTHZ0ZBQEFH, publicly available at least as early as Jan. 9, 2009 (5 pages).

(\*\*) Term: **15 Years**

(Continued)

(21) Appl. No.: **29/541,874**

Primary Examiner — Ricky Pham

(22) Filed: **Oct. 8, 2015**

(74) Attorney, Agent, or Firm — Haynes and Boone LLP

(51) **LOC (10) Cl.** ..... **07-02**

(52) **U.S. Cl.**  
USPC ..... **D7/354**

(57) **CLAIM**

The ornamental design for a baking pan insert, as shown and described.

(58) **Field of Classification Search**

**DESCRIPTION**

USPC ..... D7/323, 354–361, 543, 545, 549, 550.1, D7/553.1–553.8, 554.1–554.4, 555, 584, D7/586; D9/430–433, 455–456, 737, D9/756–762

CPC .... A21B 3/00; A21B 3/13; A21B 3/15; A21B 3/134; A21B 3/136; A21B 5/00; A21B 5/02; A47G 19/12; A47J 36/022; A47J 36/025; A47J 36/027; A47J 36/16; A47J 36/24; A47J 37/00; A47J 37/04; A47J 37/0763; B65D 1/22; B65D 1/24; B65D 1/34; B65D 1/36; B65D 81/343; B65D 85/36

See application file for complete search history.

FIG. 1 is a front perspective view of a baking pan insert showing a first embodiment of our new design; FIG. 2 is a front view thereof; FIG. 3 is a rear view thereof; FIG. 4 is a right side view thereof; FIG. 5 is a left side view thereof; FIG. 6 is a top view thereof; FIG. 7 is a bottom view thereof; FIG. 8 is a front perspective view of the baking pan insert of FIG. 1 shown in use with a baking pan; FIG. 9 is a front view thereof; FIG. 10 is a rear view thereof; FIG. 11 is a right side view thereof; FIG. 12 is a left side view thereof; FIG. 13 is a top view thereof; and, FIG. 14 is a bottom view thereof.

(56) **References Cited**

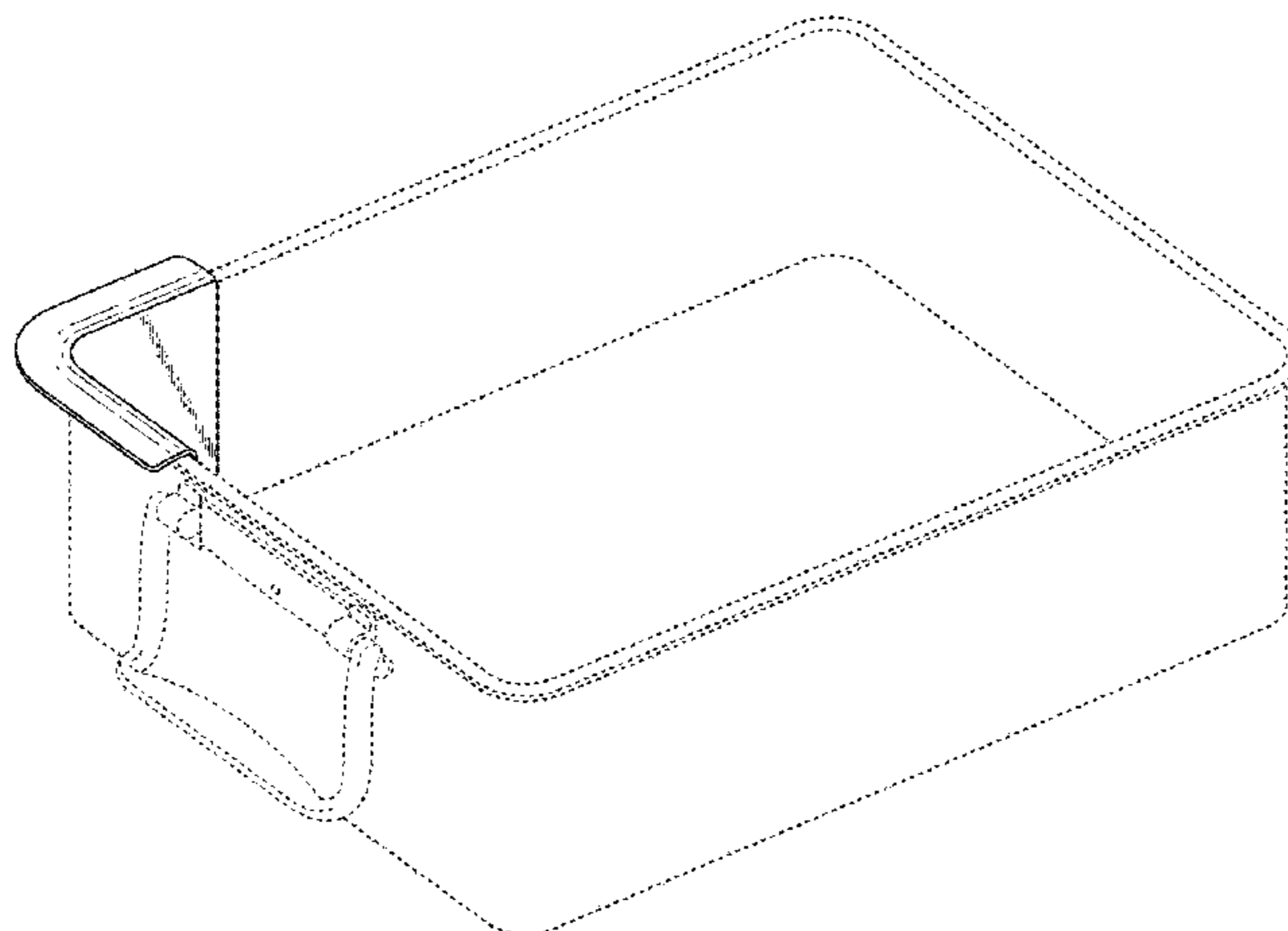
**U.S. PATENT DOCUMENTS**

597,217 A 1/1898 Loery  
D168,339 S 12/1952 Ferar

(Continued)

The features shown in broken lines are portions of the baking pan insert or baking pan or environmental subject matter thereof forming no part of the claimed design. The features shown in long dash-short dash bolded broken lines

(Continued)



indicate the bounds of the claimed design and otherwise form no part of the claimed design.

**1 Claim, 14 Drawing Sheets**

(56)

**References Cited**

U.S. PATENT DOCUMENTS

3,248,750	A	5/1966	Black	
3,416,184	A	12/1968	Deadrick	
3,769,655	A	11/1973	Cartwright	
4,113,225	A	9/1978	Corse	
4,245,750	A	1/1981	Stemen	
4,773,320	A	9/1988	Stock et al.	
D340,614	S	10/1993	Kaeding	
D459,144	S	6/2002	Brady	
6,421,882	B1	7/2002	Liao et al.	
6,546,850	B1	4/2003	Akiyama-Warren	
6,684,760	B1	2/2004	Rajusth	
6,705,210	B2 *	3/2004	Leonard	A47J 36/24 126/384.1
D543,412	S	5/2007	Munson	
D569,169	S *	5/2008	Munson	D7/354
D569,676	S *	5/2008	Millsap	D7/354
D597,817	S	8/2009	Menzies	
D606,361	S	12/2009	Ruffoni	
D616,698	S	6/2010	Lion et al.	
7,770,751	B2	8/2010	Henry et al.	
D630,884	S	1/2011	Stein	
D630,885	S	1/2011	Stein	
D656,778	S *	4/2012	Bolgert	D7/354
D657,187	S	4/2012	Schneider et al.	
D657,996	S	4/2012	Rae	
D677,973	S	3/2013	Smallegan	
D700,002	S *	2/2014	Lupo, Jr.	D7/354
D707,077	S	6/2014	Sarnoff et al.	
D708,006	S	7/2014	Smallegan	
D713,196	S	9/2014	Sarnoff et al.	
D714,583	S	10/2014	Kwon et al.	
8,887,943	B1 *	11/2014	Miller	B65D 1/34 206/557
D762,083	S *	7/2016	Librus	D7/354
9,510,699	B1 *	12/2016	Miller	A47G 19/12
2006/0225725	A1 *	10/2006	Rinaldo	A47J 37/0763 126/9 R
2007/0284505	A1 *	12/2007	Kaposi	A21B 3/136 249/144
2008/0248173	A1 *	10/2008	Hopkins, Sr.	A47J 36/027 426/243
2013/0047380	A1	2/2013	Huang et al.	
2013/0341335	A1	12/2013	Sitabkhan et al.	
2015/0069215	A1 *	3/2015	Kohnen	A21B 3/13 249/203
2015/0201802	A1 *	7/2015	Moore	A47J 36/16 426/389

OTHER PUBLICATIONS

“Chicago Metallic Non Stick Healthy Meatloaf Set”, printed from [www.amazon.com/Chicago-Metallic-Stick-Healthy-Meatloaf/dp/B006AEVRB6/ref=pd\\_bxgy\\_79\\_img\\_y](http://www.amazon.com/Chicago-Metallic-Stick-Healthy-Meatloaf/dp/B006AEVRB6/ref=pd_bxgy_79_img_y), publicly available at least as early as May 17, 2012 (7 pages).

“Chicago Metallic Lasagna Pan Trio”, printed from [www.amazon.com/Chicago-Metallic-Lasagna-12-Inch-Cavities/dp/B0028RY0VI](http://www.amazon.com/Chicago-Metallic-Lasagna-12-Inch-Cavities/dp/B0028RY0VI), publicly available at least as early as Sep. 28, 2009 (7 pages).

“Baker’s Edge—Simple Lasagna Pan”, printed from [www.amazon.com/gp/product/B002C5K7RM/ref=pd\\_lpo\\_sbs\\_dp...B0028RY0VI&pf\\_rd\\_m=ATVPDKIKX0DER&pf\\_rd\\_r=1GES7W86G9GJ2F6QNHQ4](http://www.amazon.com/gp/product/B002C5K7RM/ref=pd_lpo_sbs_dp...B0028RY0VI&pf_rd_m=ATVPDKIKX0DER&pf_rd_r=1GES7W86G9GJ2F6QNHQ4), publicly available at least as early as Dec. 7, 2009 (7 pages).

“52 Pies Project: Cast Iron Chocolate Pecan Wedge Pie”, printed from <http://aimeebroussard.com/52-pies-project-cast-iron-chocolate-pecan-wedge-pie/>, posted on Feb. 1, 2015 (21 pages).

“Stainless Steel Lasagna Pan by Chefs”, printed from [www.cooking.com/15x11-in-stainless-steel-lasagna-pan-by-chefs\\_622492\\_11/](http://www.cooking.com/15x11-in-stainless-steel-lasagna-pan-by-chefs_622492_11/), publicly available at least as early as Jun. 27, 2014 (4 pages).

“13.5 inch Lasagna Pan”, printed from [www.cuisinart.com/products/cookware/roasting\\_lasagna\\_pans](http://www.cuisinart.com/products/cookware/roasting_lasagna_pans), publicly available at least as early as Jun. 15, 2015 (2 pages).

“Stainless Steel Roaster Lasagna Pan”, printed from [www.houzz.com/photos/5834408/Stainless-Steel-Roaster-Lasagna-Pan-4pc-contemporary-roasting-pans-and-racks](http://www.houzz.com/photos/5834408/Stainless-Steel-Roaster-Lasagna-Pan-4pc-contemporary-roasting-pans-and-racks), publicly available at least as early as Mar. 12, 2015 (1 page).

“Invitations® 2-Piece Stainless Steel Lasagna Pan Set”, printed from [www.bedbathandbeyond.com/1/1/219063-invitations-2-piece-stainless-steel-lasagna-pan-set.html](http://www.bedbathandbeyond.com/1/1/219063-invitations-2-piece-stainless-steel-lasagna-pan-set.html), publicly available at least as early as Jun. 16, 2015 (4 pages).

“Pie Lifter, Bake-In”, printed from [www.kitchenkrafts.com/product/pie-lifter-bake-in/pie-makin...2792&cvsfe=2&cvsfhu=424530363330&gclid=CJG02duRpMgCFYVCaQodilcKLQ](http://www.kitchenkrafts.com/product/pie-lifter-bake-in/pie-makin...2792&cvsfe=2&cvsfhu=424530363330&gclid=CJG02duRpMgCFYVCaQodilcKLQ), publicly available at least as early as Oct. 6, 2015 (2 pages).

“Paderno Roast Pan”, printed from [www.ebay.com.au/itm/261824301958?clk\\_rvr\\_id=866573928657&rmvSB=true](http://www.ebay.com.au/itm/261824301958?clk_rvr_id=866573928657&rmvSB=true), publicly available at least as early as at least as early as Jul. 13, 2015 (2 pages).

“Pie Divider” printed from [www.kitchenkrafts.com/product/pie-divider](http://www.kitchenkrafts.com/product/pie-divider), publicly available at least as early as Jul. 8, 2015 (2 pages).

“Pie Saver”, printed from [www.kitchenkrafts.com/product/pie-saver/pie-making-and-ta...92&cvsfe=2&cvsfhu=425035343236&gclid=CJjd14mhZMYCFQYoaQodspoOsQ](http://www.kitchenkrafts.com/product/pie-saver/pie-making-and-ta...92&cvsfe=2&cvsfhu=425035343236&gclid=CJjd14mhZMYCFQYoaQodspoOsQ), publicly available at least as early as Jul. 8, 2015 (2 pages).

“Restorers 4 1/8 Inch Trunk Lifter Handle”, printed from [www.vandykes.com/black-iron-trunk-lifter-handle/p/209903/](http://www.vandykes.com/black-iron-trunk-lifter-handle/p/209903/), publicly available at least as early as Jul. 13, 2015 (2 pages).

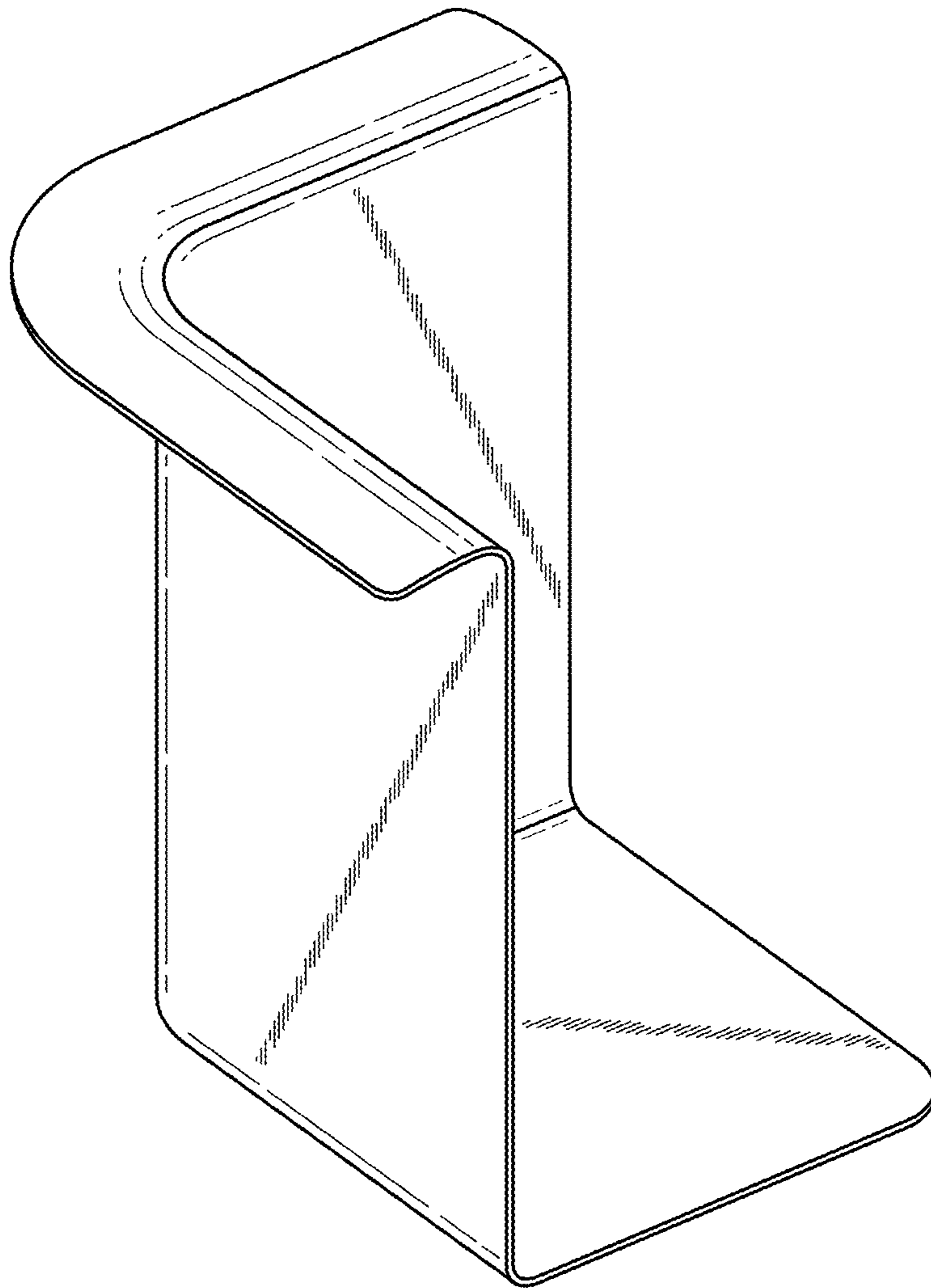
“Heavy-Duty Trunk Handle, Nickel-Plated”, printed from [www.rockler.com/heavy-duty-trunk-handle-nickel-plated](http://www.rockler.com/heavy-duty-trunk-handle-nickel-plated), publicly available at least as early as Feb. 18, 2015, per <http://web.archive.org> (5 pages).

“Cook Pro 4-Piece Stainless Steel Roaster/Lasagna Pan”, printed from [www.walmart.com/ip/Cook-Pro-4pc-Stainless-Steel-Roaster-Lasagna-Pan/16541275](http://www.walmart.com/ip/Cook-Pro-4pc-Stainless-Steel-Roaster-Lasagna-Pan/16541275), publicly available at least as early as Oct. 26, 2012 (8 pages).

“1.5 inch Drop Handle by Gado Gado Hardware”, printed from [www.wayfair.com/Gado-Gado-Hardware-1.5-Drop-Handle-HBA7014-GADO1140.html](http://www.wayfair.com/Gado-Gado-Hardware-1.5-Drop-Handle-HBA7014-GADO1140.html), publicly available at least as early as Jul. 13, 2015 (3 pages).

“Wholesale 14 inch Stainless Steel Casserole Pan”, printed from [/www.wholesalmart.com/Wholesale-14-Stainless-Steel-Casserole](http://www.wholesalmart.com/Wholesale-14-Stainless-Steel-Casserole), publicly available at least as early as Jul. 13, 2015 (2 pages).

\* cited by examiner



**FIG. 1**

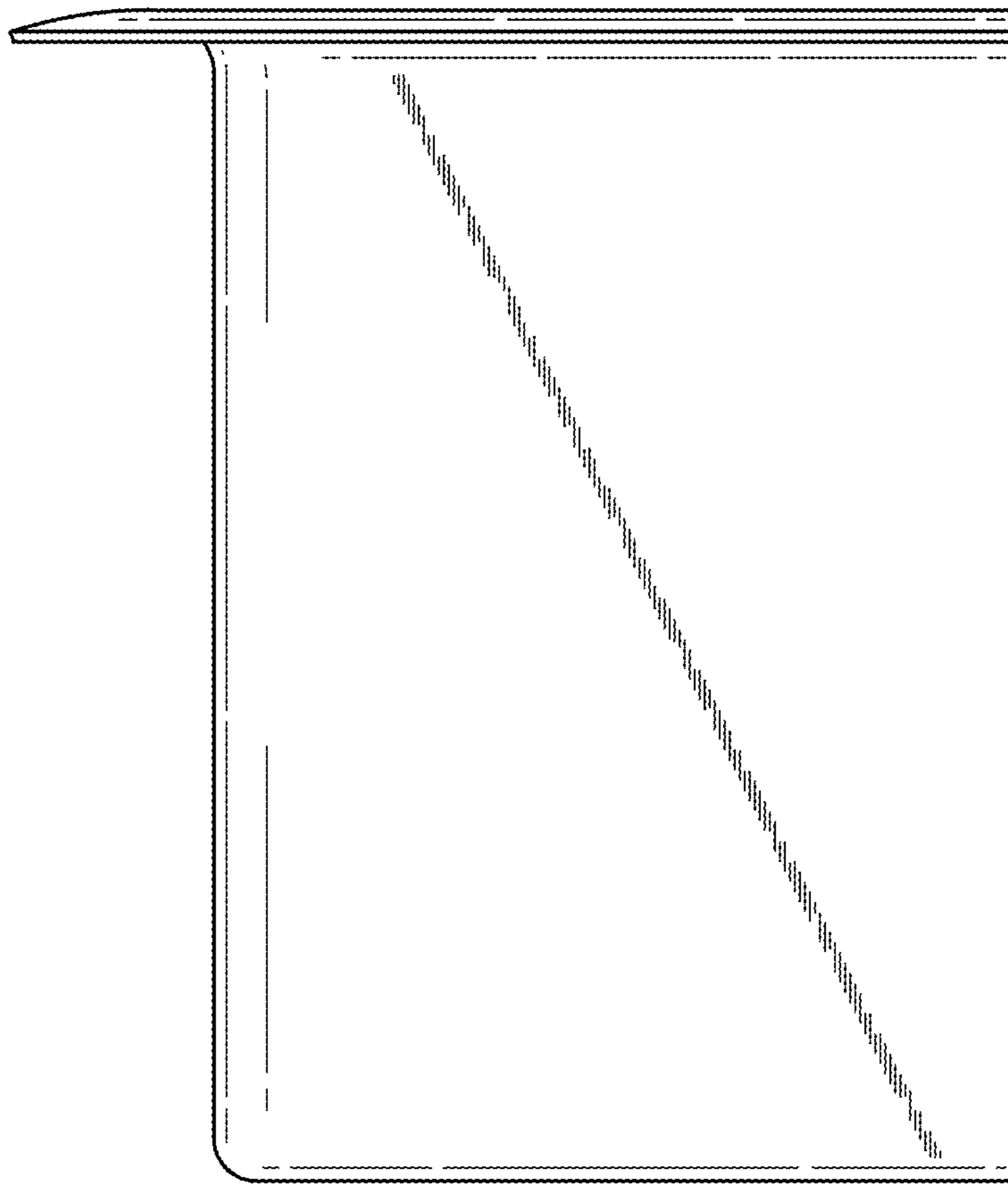


FIG. 2

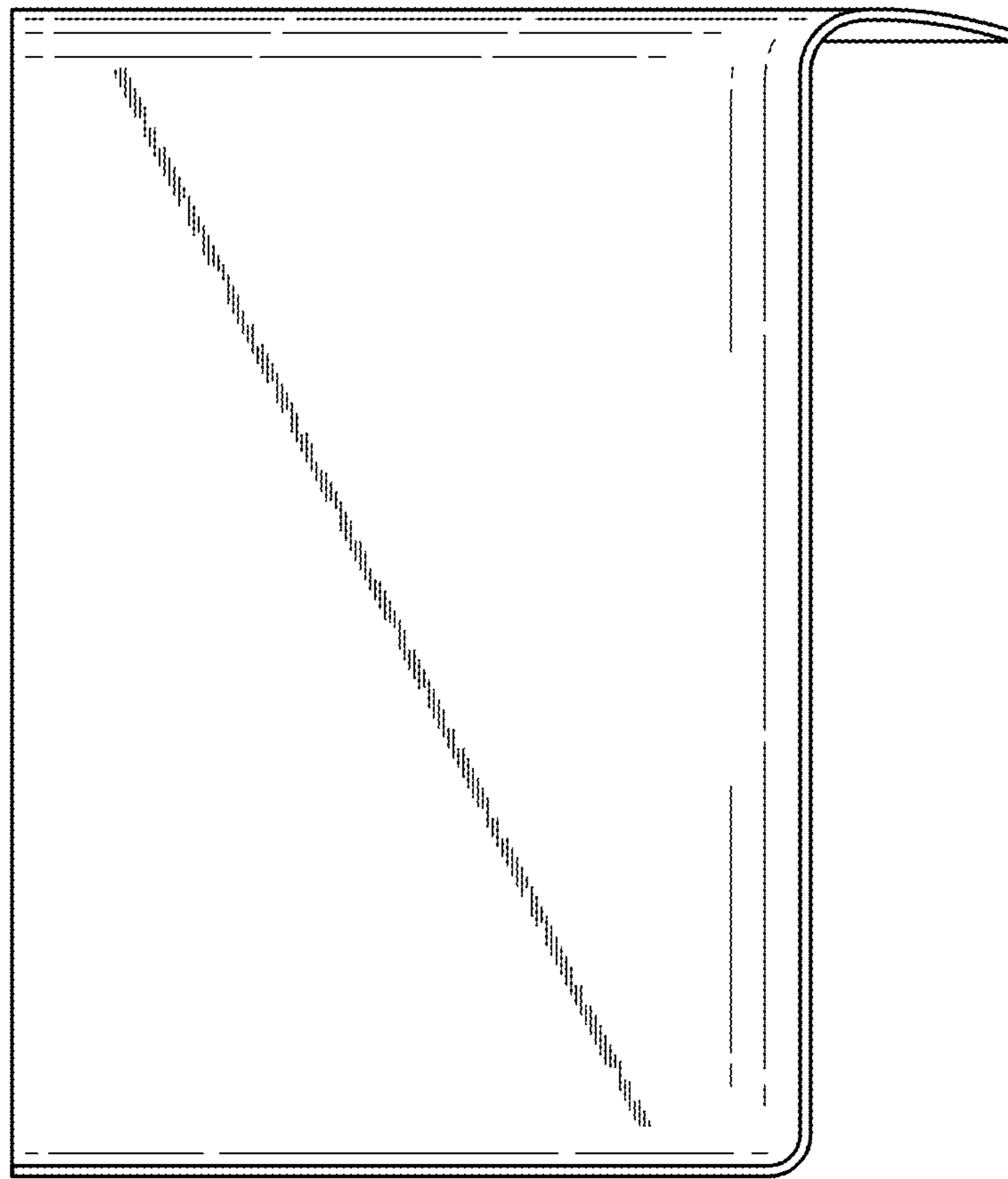
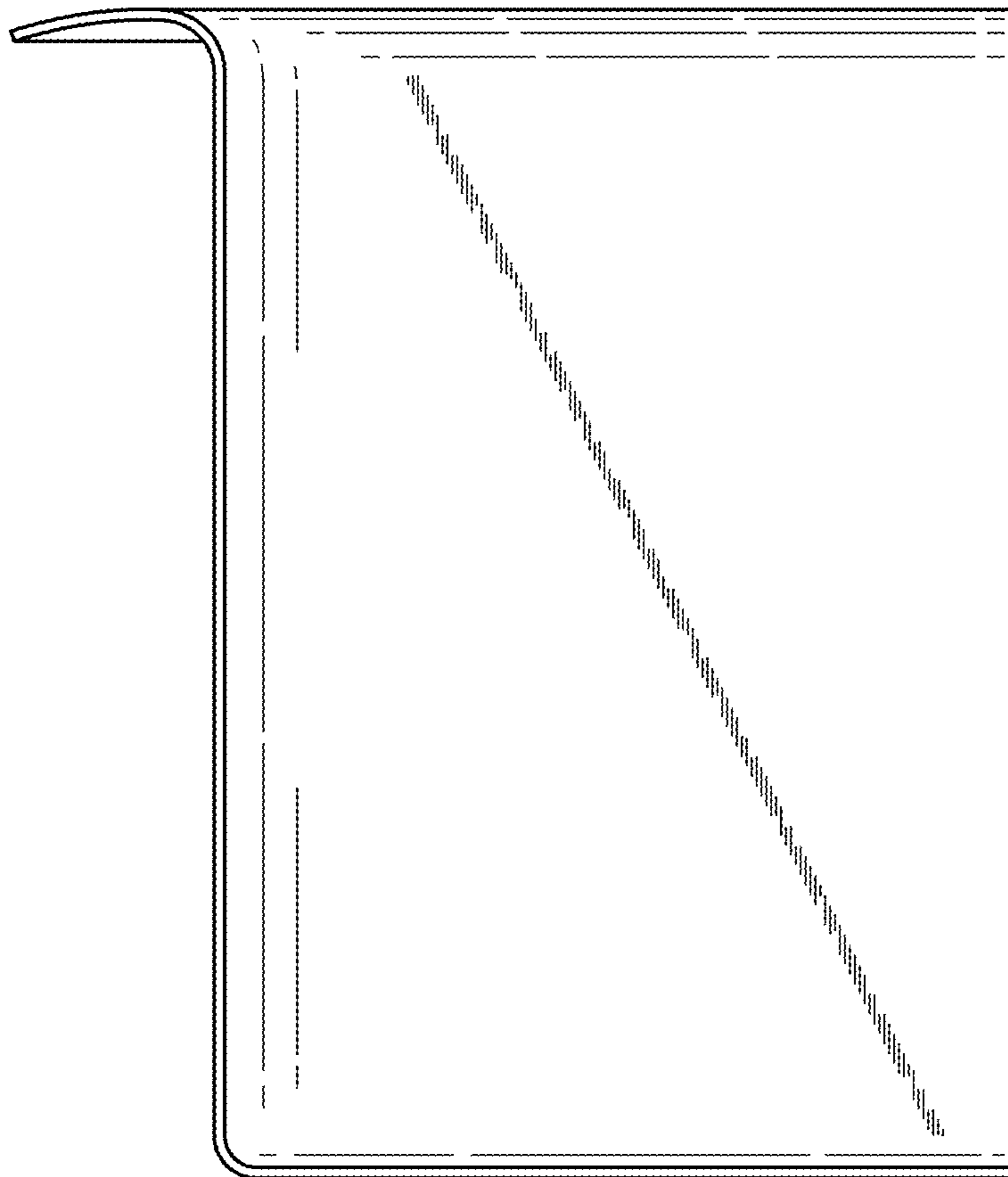
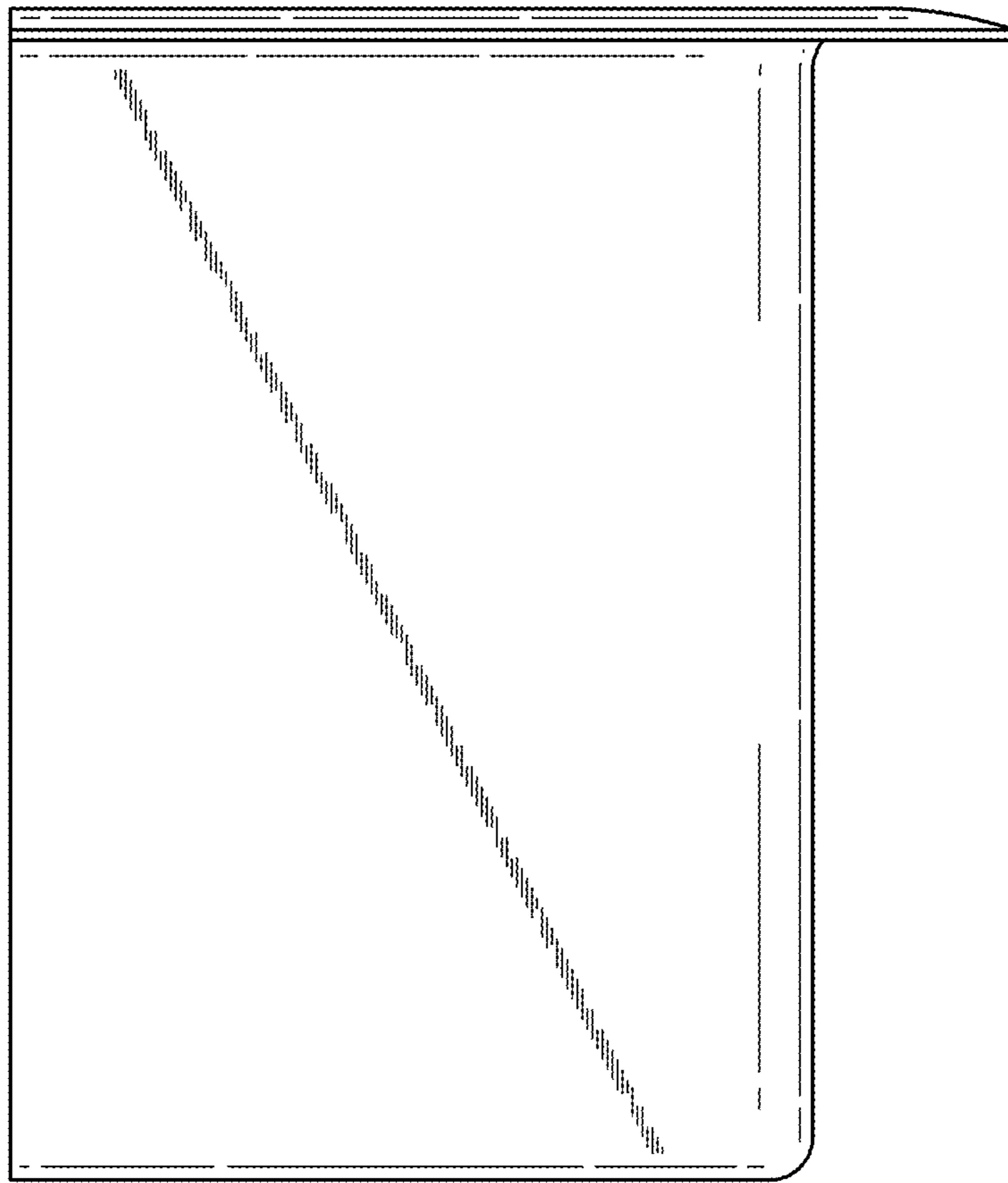


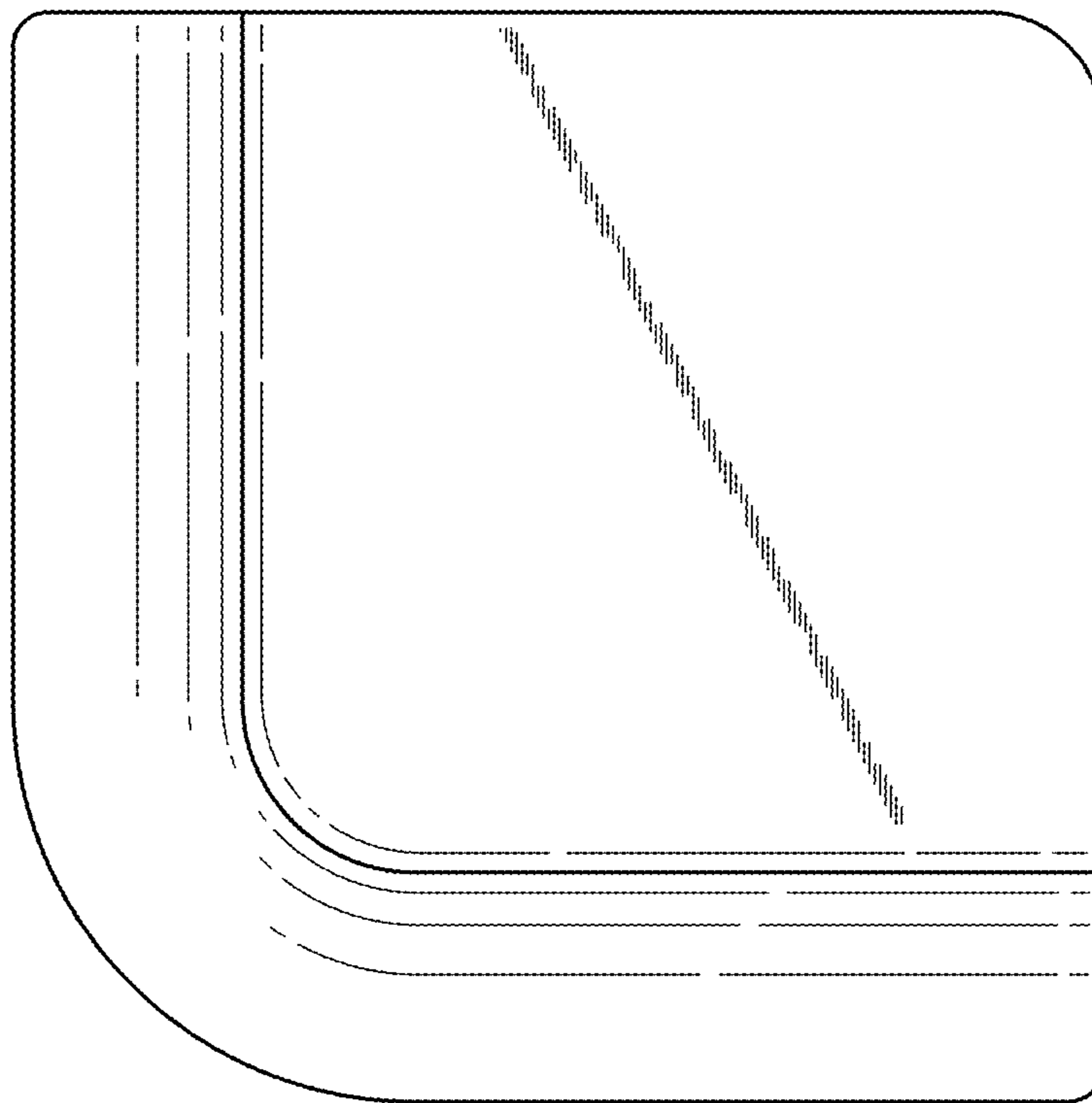
FIG. 3



**FIG. 4**

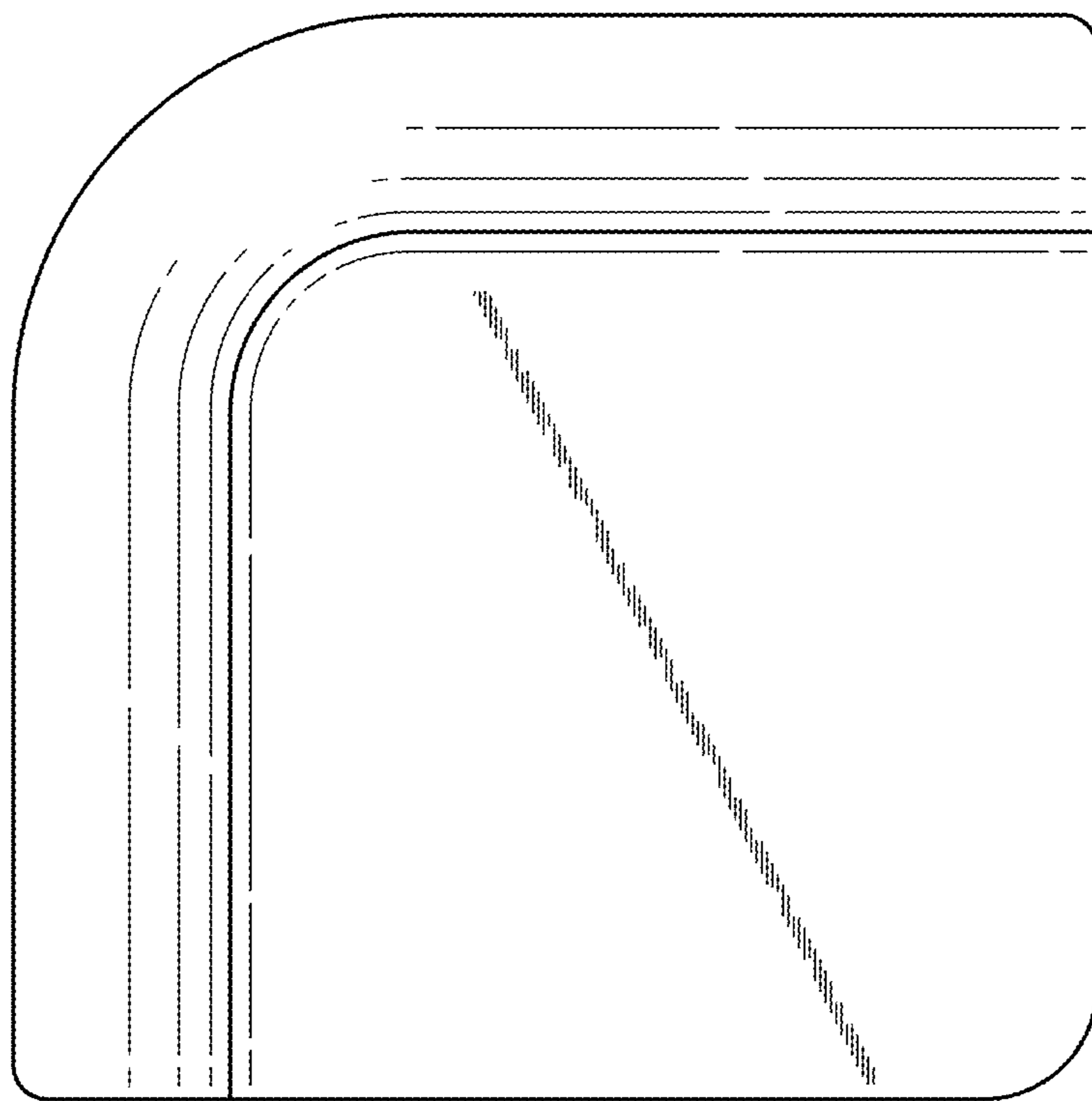


**FIG. 5**



**FIG. 6**





**FIG. 7**

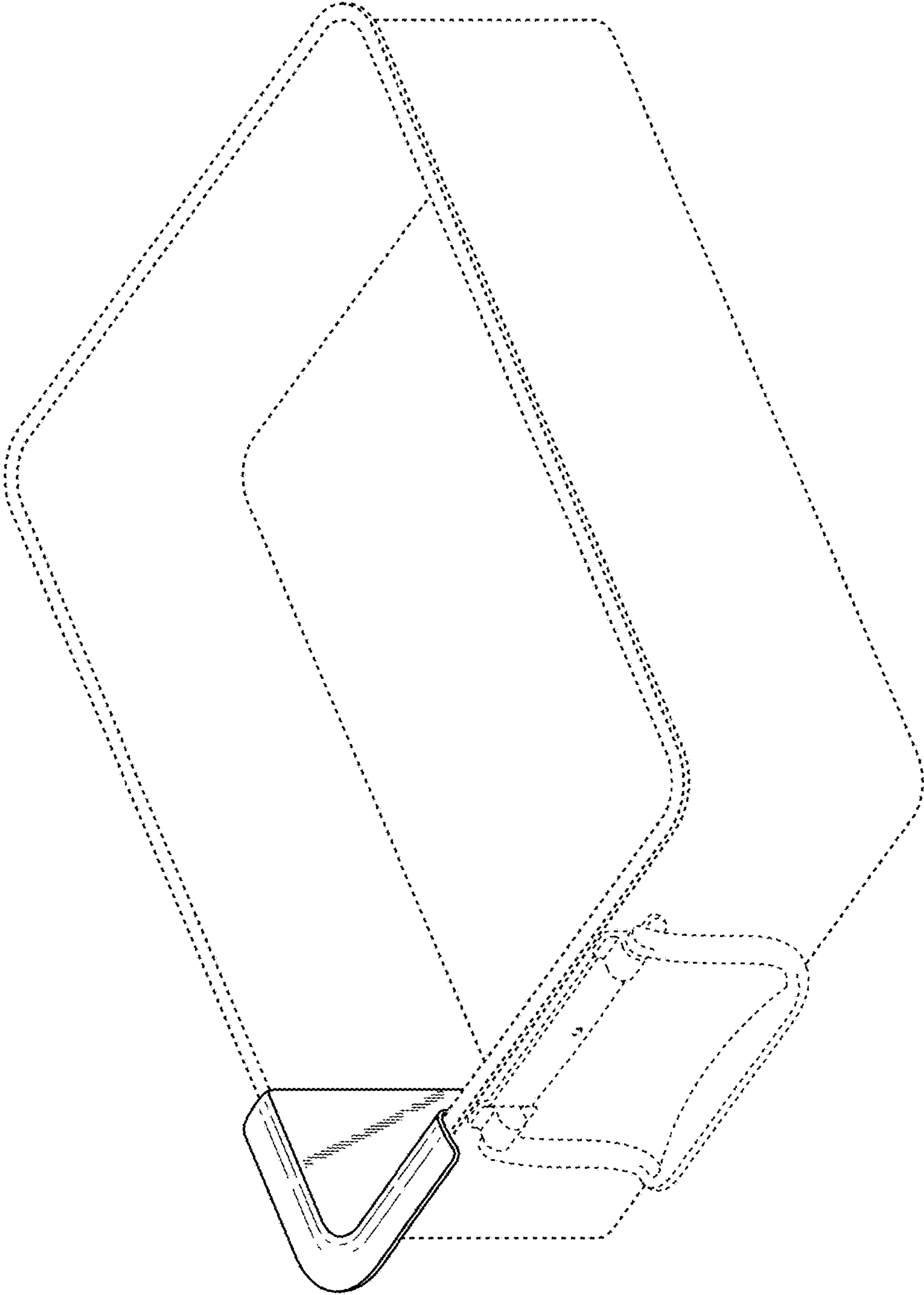
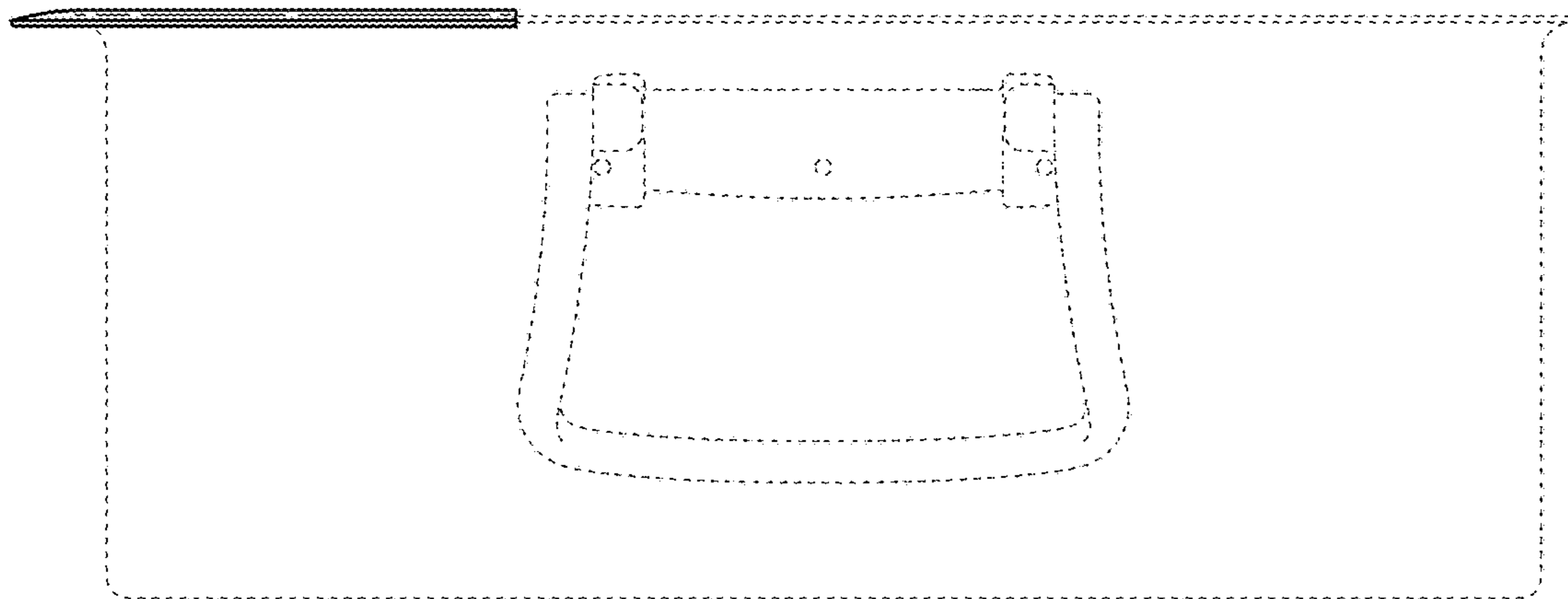
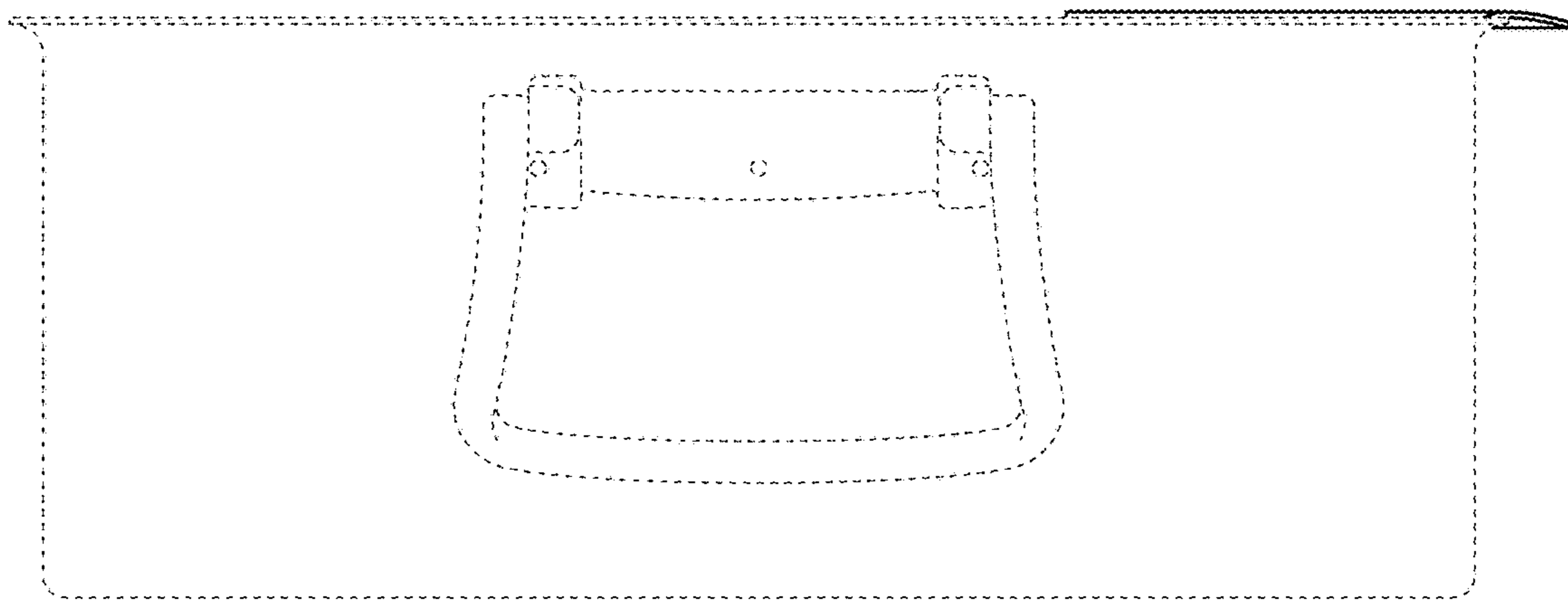


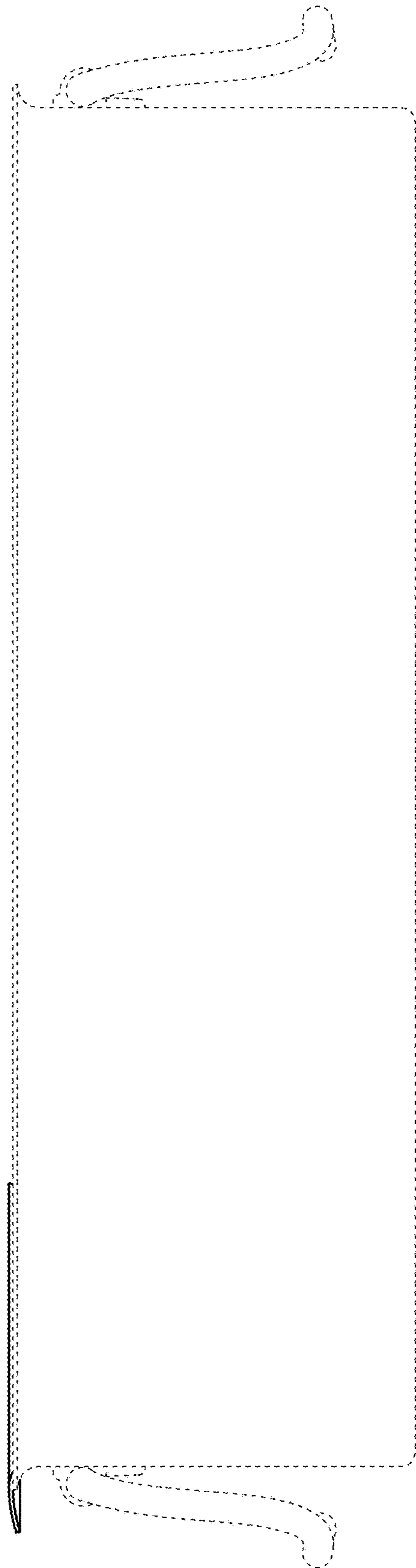
FIG. 8



**FIG. 9**



**FIG. 10**



**FIG. 11**

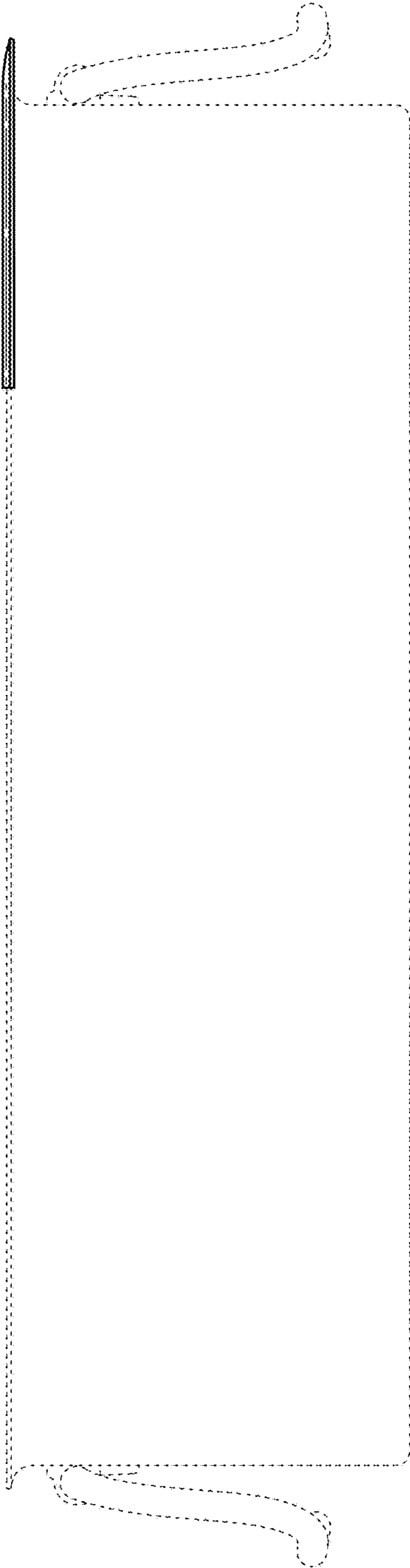


FIG. 12

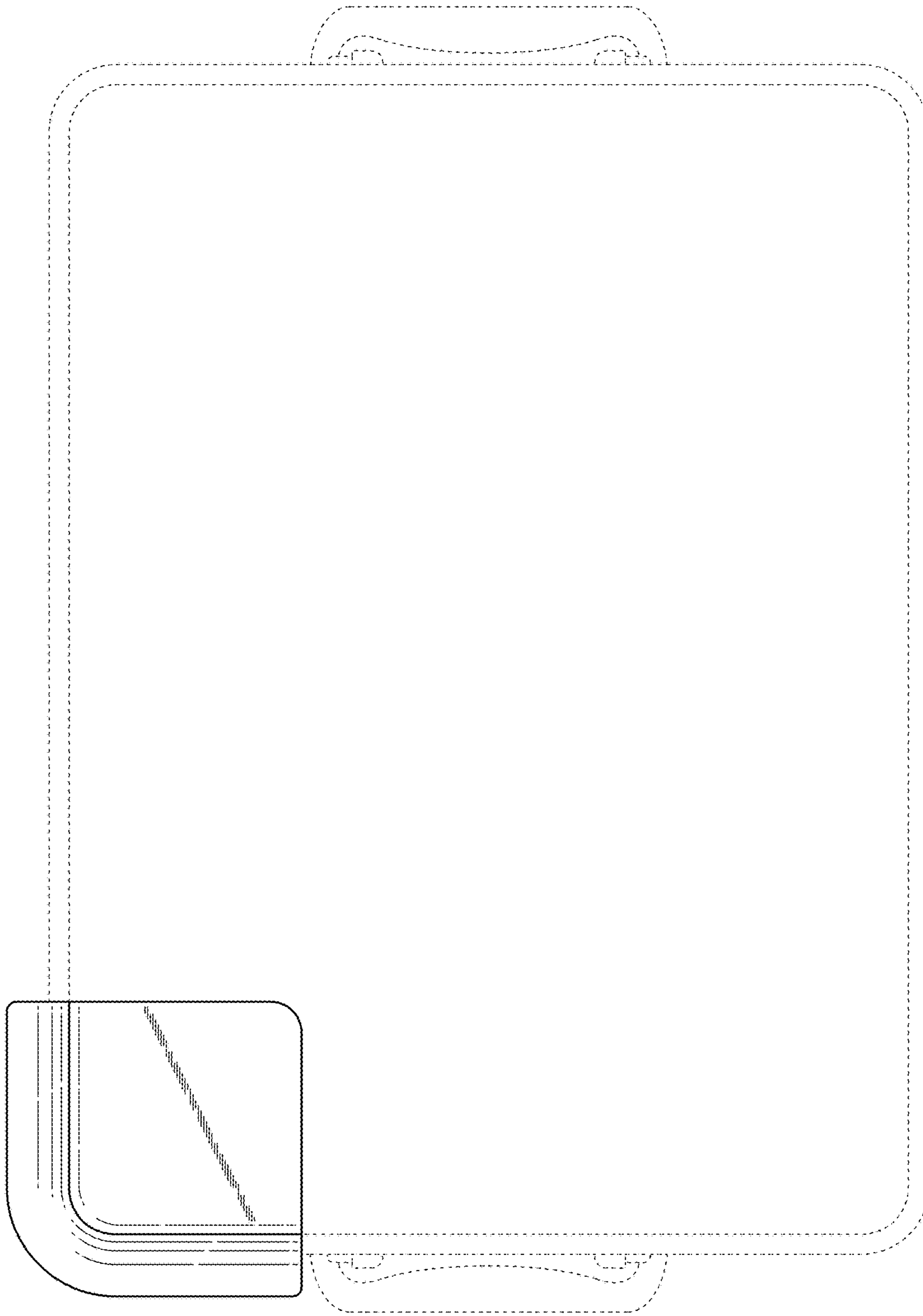


FIG. 13

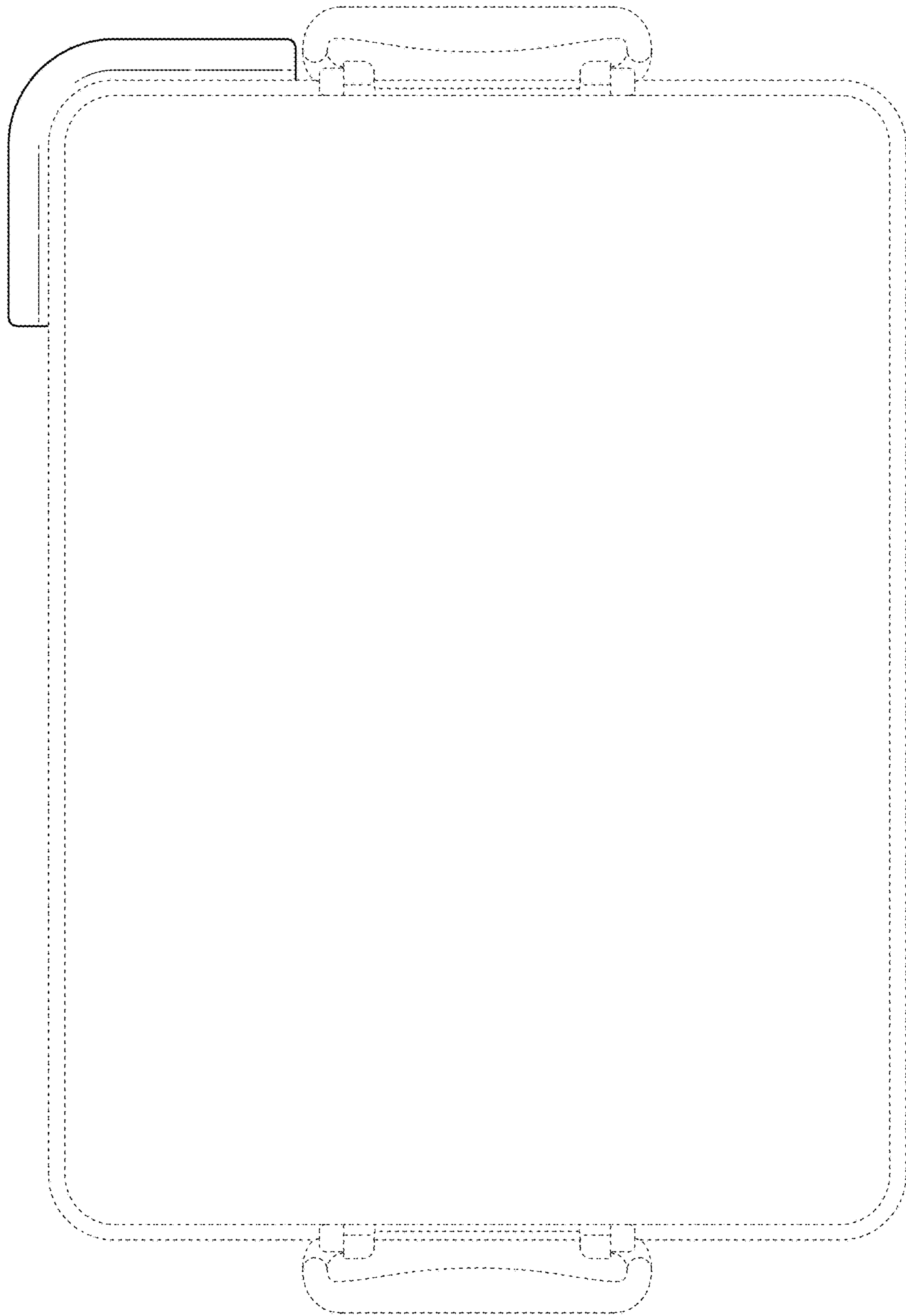


FIG. 14