

US00D784064S

(12) **United States Design Patent** (10) **Patent No.:** **US D784,064 S**  
**Hebert, Jr. et al.** (45) **Date of Patent:** **\*\* Apr. 18, 2017**

(54) **PORTABLE STOVE**

(71) Applicants: **Michael E. Hebert, Jr.**, Milford, NH (US); **Adam E. Wilcox**, Candia, NH (US); **Jeffrey M. Megivern**, Manchester, NH (US)

(72) Inventors: **Michael E. Hebert, Jr.**, Milford, NH (US); **Adam E. Wilcox**, Candia, NH (US); **Jeffrey M. Megivern**, Manchester, NH (US)

(73) Assignee: **Johnson Outdoors Inc.**, Racine, WI (US)

(\*\*) Term: **15 Years**

(21) Appl. No.: **29/529,237**

(22) Filed: **Jun. 4, 2015**

(51) **LOC (10) Cl.** ..... **07-02**

(52) **U.S. Cl.**  
USPC ..... **D7/337**

(58) **Field of Classification Search**  
USPC ..... D7/352, 353, 327-337, 362, 363, 409;  
126/25 R, 9 R; D3/272, 273, 294, 276,  
D3/204  
CPC ..... A47J 37/0611; A47J 37/0676; A47J  
37/0763; A47J 37/0713; A47J 2037/0777  
See application file for complete search history.

(56) **References Cited**

**U.S. PATENT DOCUMENTS**

189,787 A	4/1877	Rothschild, Jr.	
2,278,734 A	4/1942	Perry	
3,140,740 A	7/1964	Lagreid et al.	
D216,233 S *	12/1969	Gruver	D7/337
D227,850 S *	7/1973	Benson	D7/337
D229,448 S *	11/1973	Traclet	D7/337
3,783,856 A	1/1974	Amos	
3,789,821 A	2/1974	Fick et al.	

(Continued)

**OTHER PUBLICATIONS**

U.S. Appl. No. 29/529,226, filed Jun. 4, 2015, Hebert et al.  
U.S. Appl. No. 14/730,790, filed Jun. 4, 2015, Hebert et al.

*Primary Examiner* — Susan Bennett Hattan  
*Assistant Examiner* — Brett Miller

(74) *Attorney, Agent, or Firm* — Reinhart Boerner Van Deuren P.C.

(57) **CLAIM**

We claim the ornamental design for the portable stove, as shown and described.

**DESCRIPTION**

FIG. 1 is a perspective view of one embodiment of the portable stove;

FIGS. 2-4 are additional perspective views thereof;

FIG. 5 is a front view thereof;

FIG. 6 is a back view thereof;

FIG. 7 is a side view thereof;

FIG. 8 is a side view thereof showing the side opposite that shown in FIG. 7;

FIG. 9 is a top view thereof; and

FIG. 10 is a bottom view thereof.

FIG. 11 is a perspective view of another embodiment of a portable stove;

FIGS. 12-14 are additional perspective views thereof;

FIG. 15 is a front view thereof;

FIG. 16 is a back view thereof;

FIG. 17 is a side view thereof;

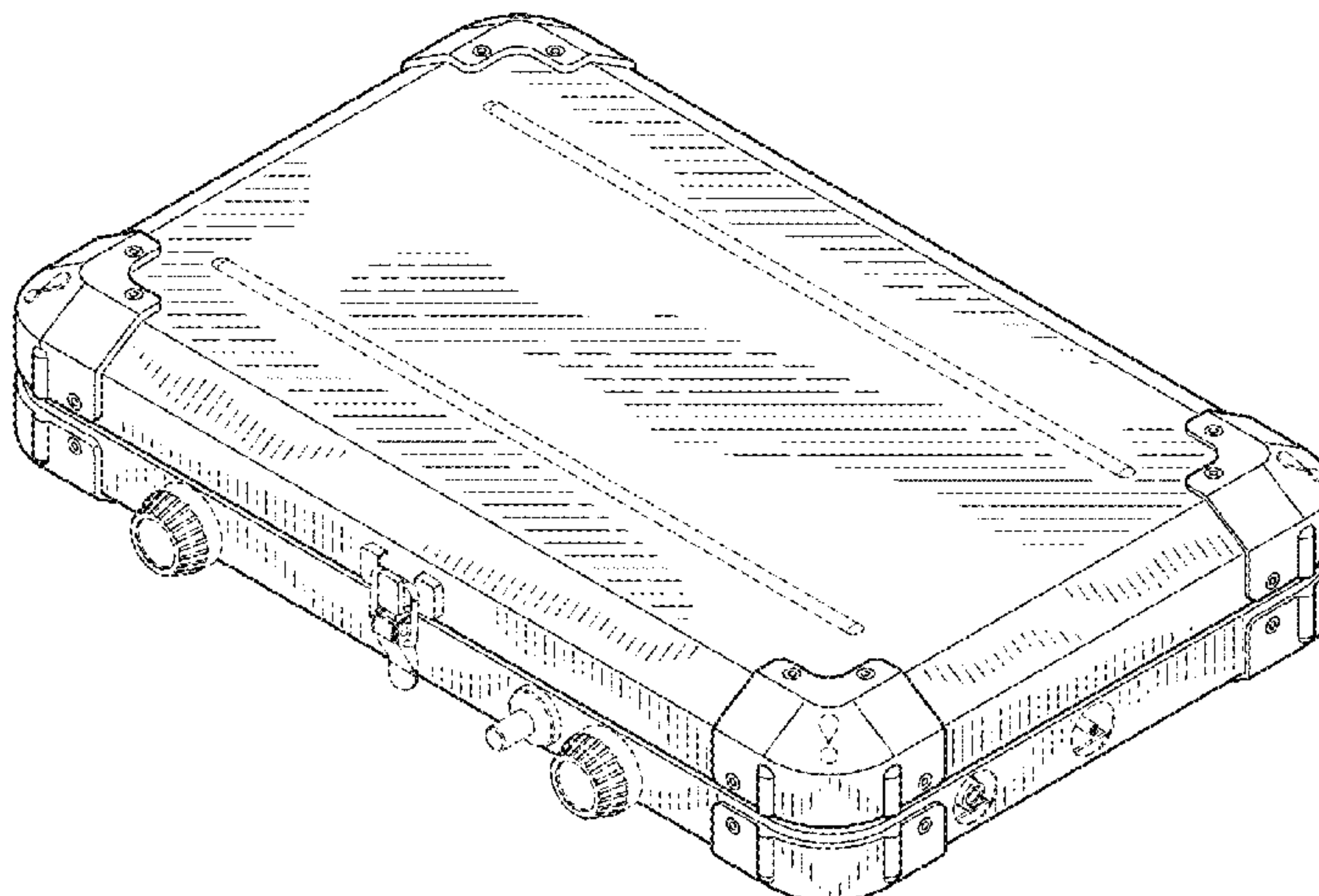
FIG. 18 is a side view thereof showing the side opposite that shown in FIG. 7;

FIG. 19 is a top view thereof; and,

FIG. 20 is a bottom view thereof.

The broken lines depict portions of the portable stove that form no part of the claim. The claim terminates at the outermost edge of the broken lines and does not include surfaces that may be behind, under, or hidden by the broken lines.

**1 Claim, 10 Drawing Sheets**



(56)

**References Cited**

U.S. PATENT DOCUMENTS

D245,220	S *	8/1977	Chan .....	D7/337
D247,993	S *	5/1978	Calzone, III .....	D3/204
D251,893	S *	5/1979	Chan .....	D7/337
D251,894	S *	5/1979	Chan .....	D7/337
D295,818	S *	5/1988	Chan .....	D7/332
4,954,075	A	9/1990	Francino	
5,860,410	A	1/1999	Hollingsworth, Jr.	
D406,722	S *	3/1999	Benton .....	D7/337
6,038,965	A	3/2000	Thorndyke	
6,202,640	B1	3/2001	Naperola et al.	
D469,298	S *	1/2003	Hinton .....	D7/332
D499,883	S *	12/2004	Perella .....	D3/276
D576,444	S *	9/2008	Chung .....	D7/337
7,806,138	B1	10/2010	Frantz	
D642,373	S *	8/2011	Decarlo .....	D3/204
2006/0185660	A1	8/2006	Sords	
2007/0087297	A1	4/2007	Long	
2009/0280447	A1	11/2009	Long	
2012/0125317	A1	5/2012	Caprathe	

\* cited by examiner

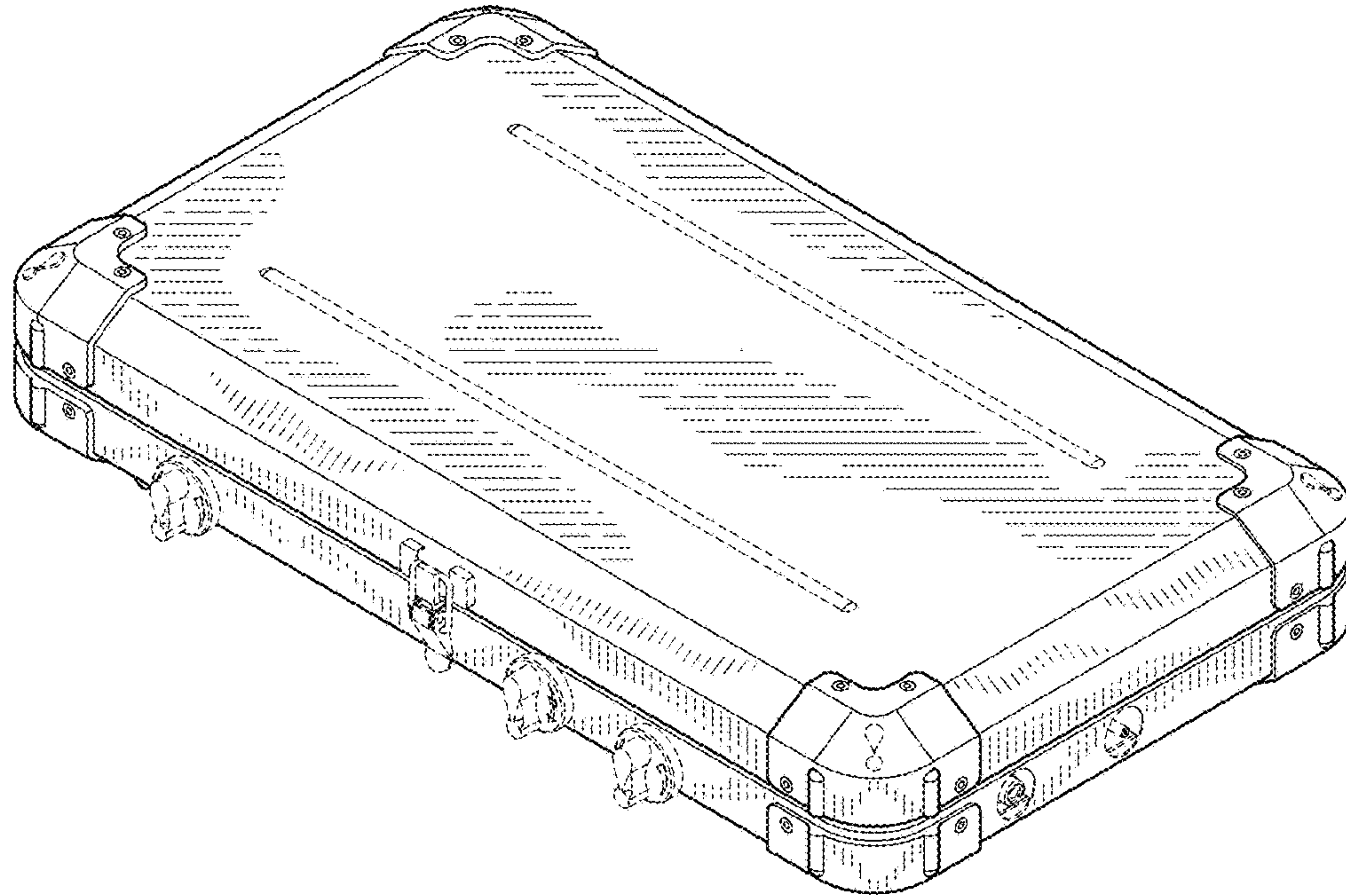


FIG. 1

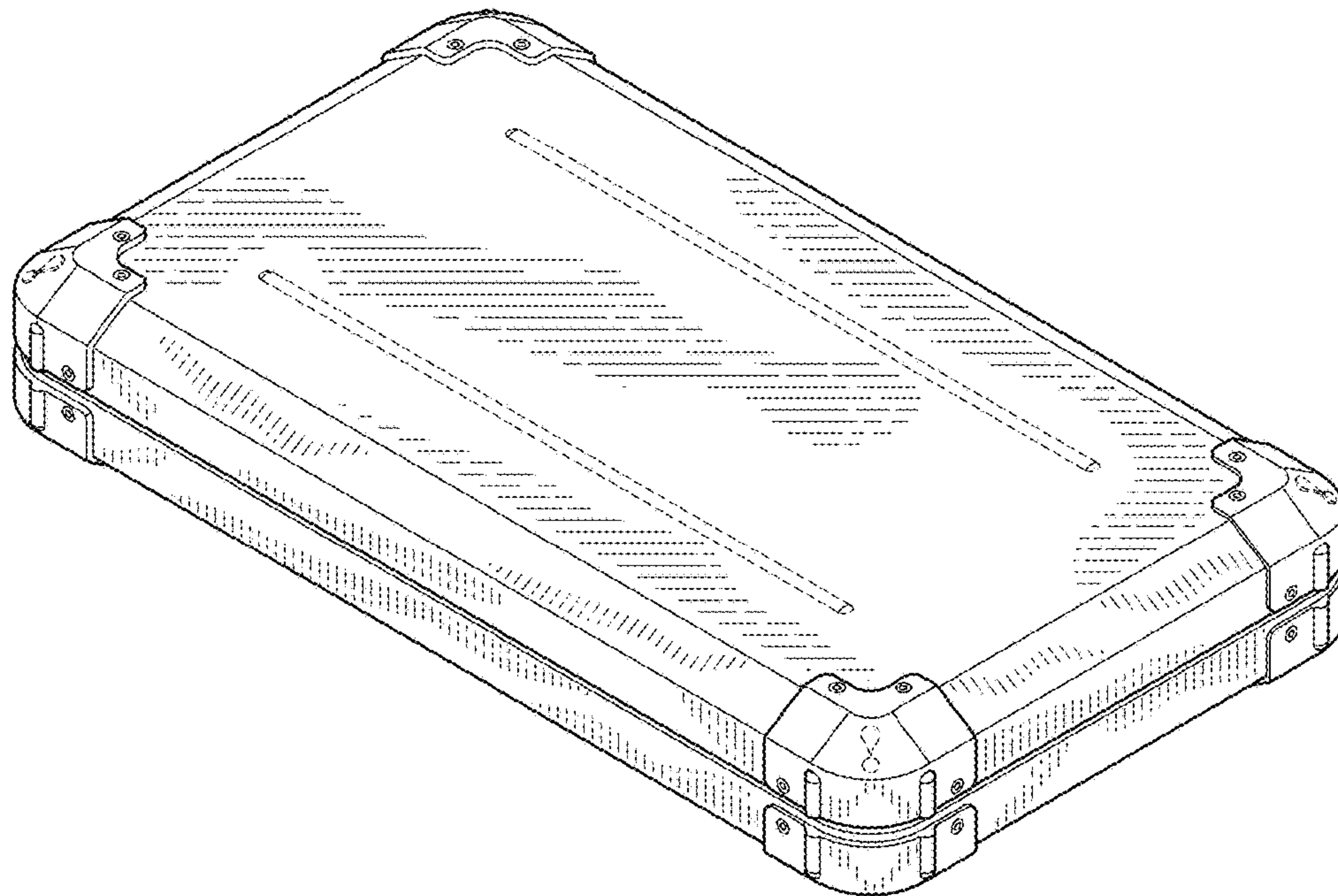


FIG. 2



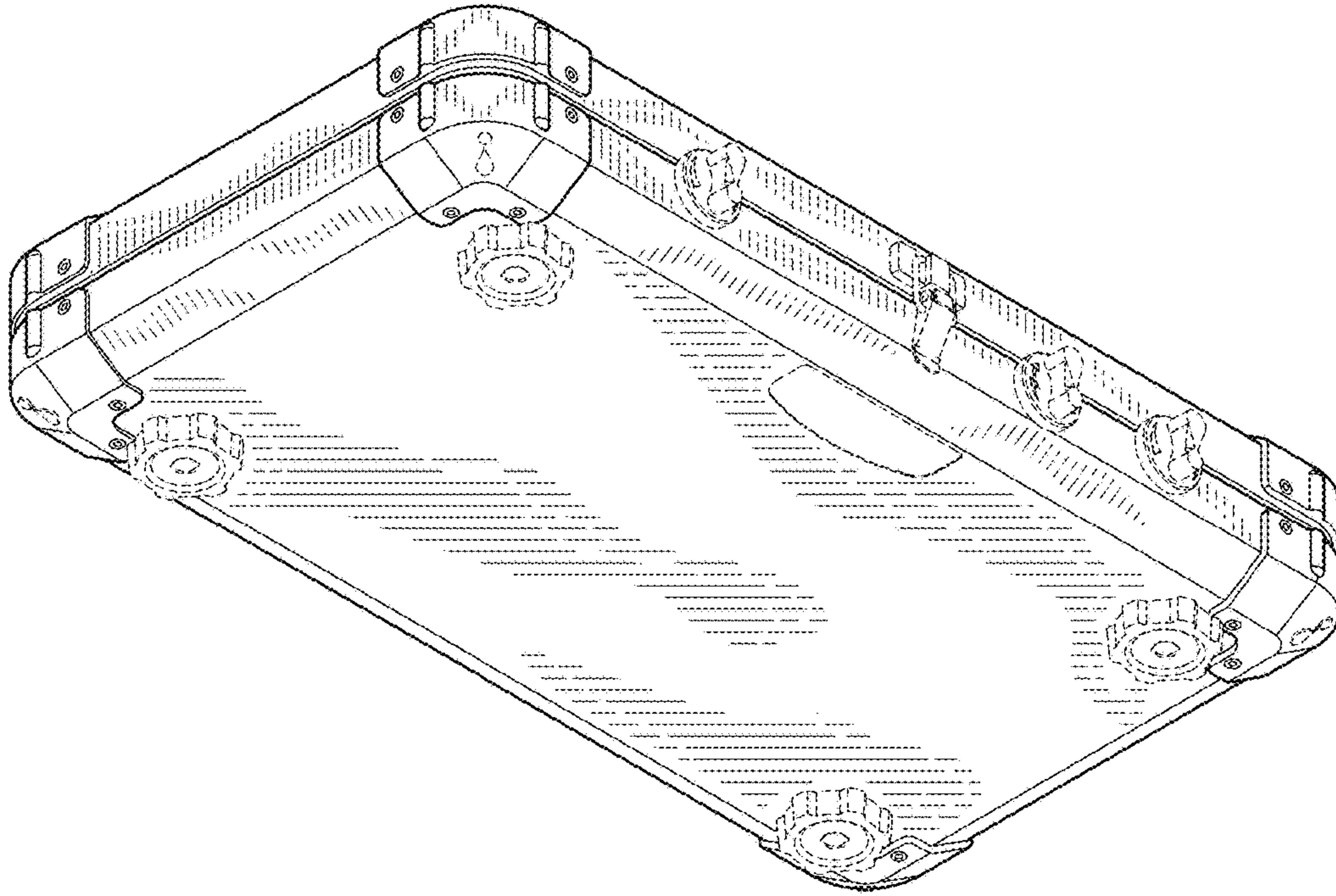


FIG. 3

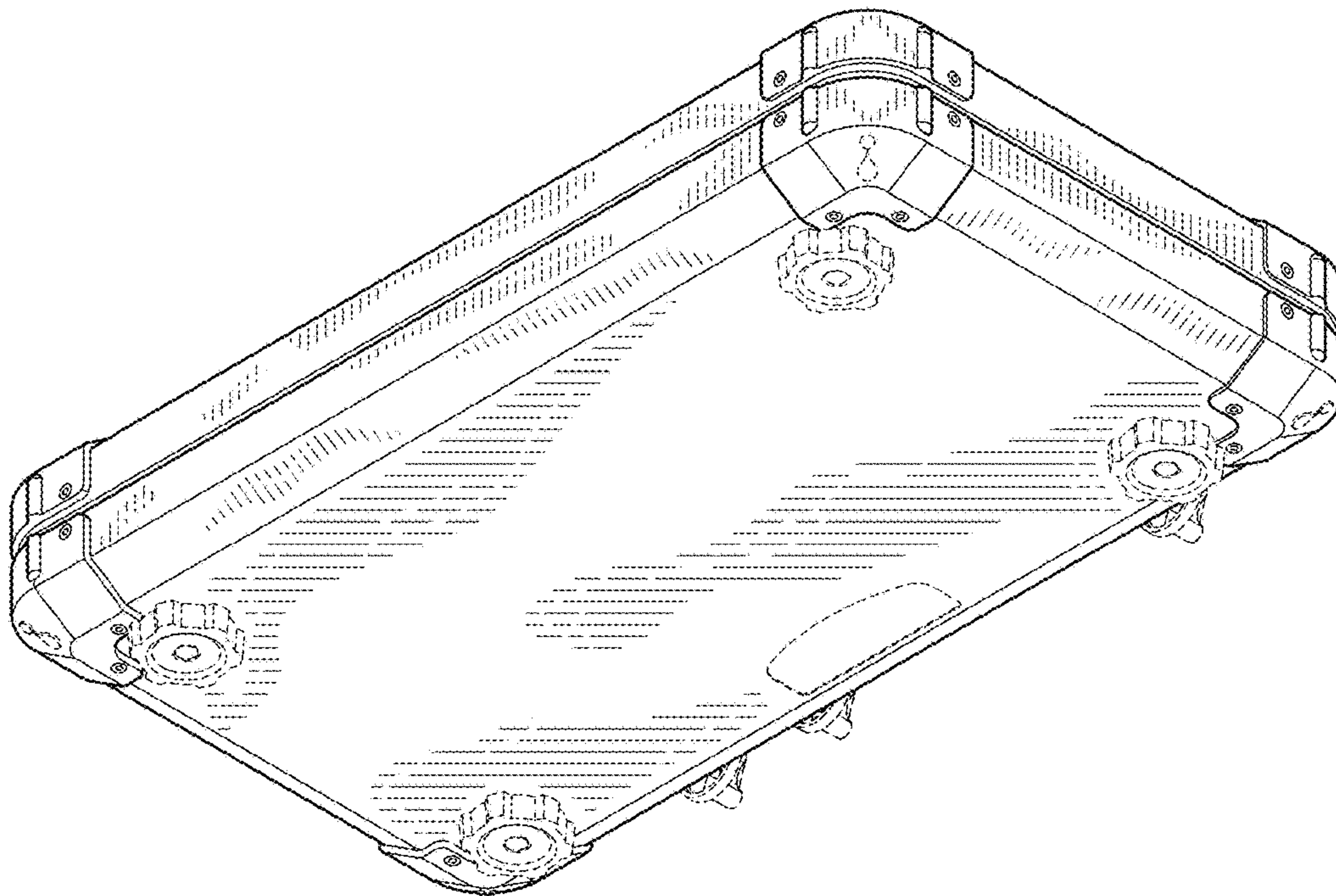


FIG. 4

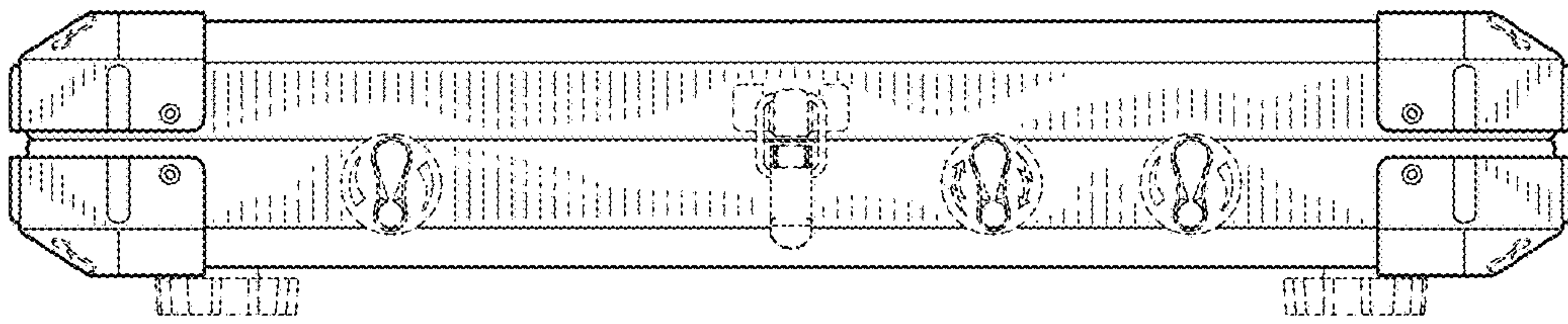


FIG. 5

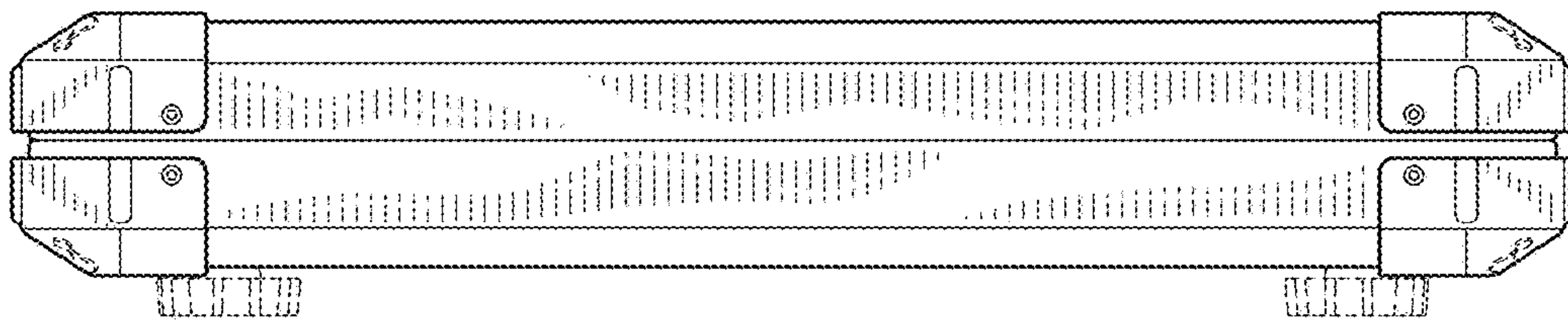


FIG. 6

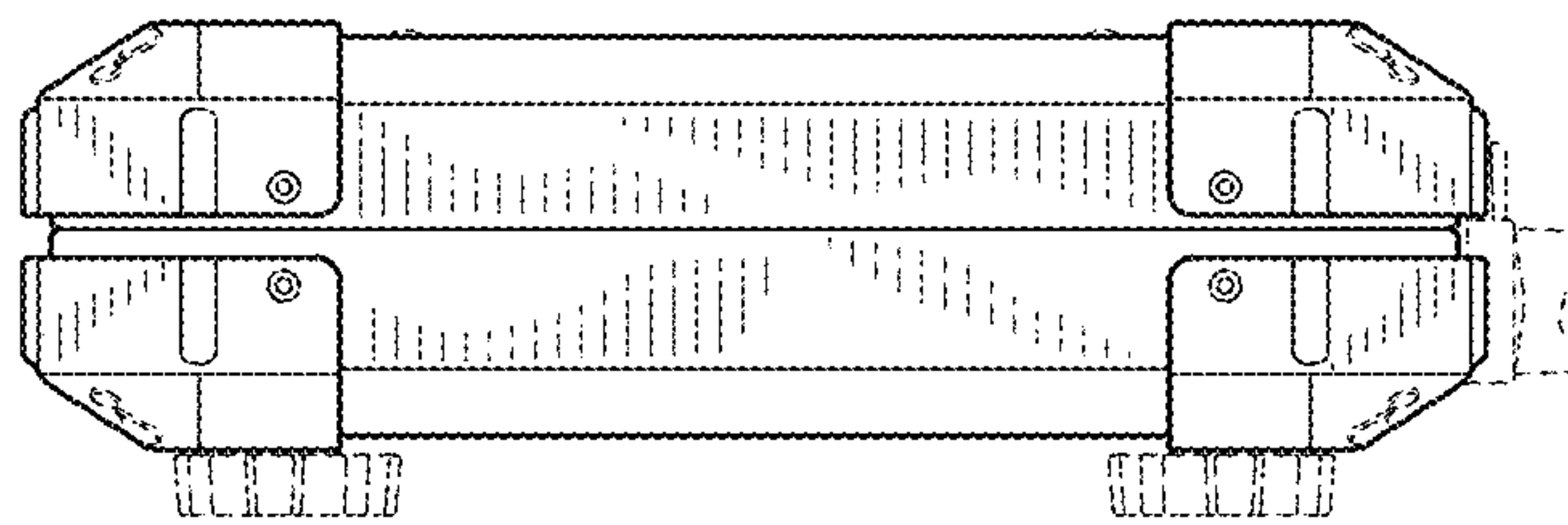


FIG. 7

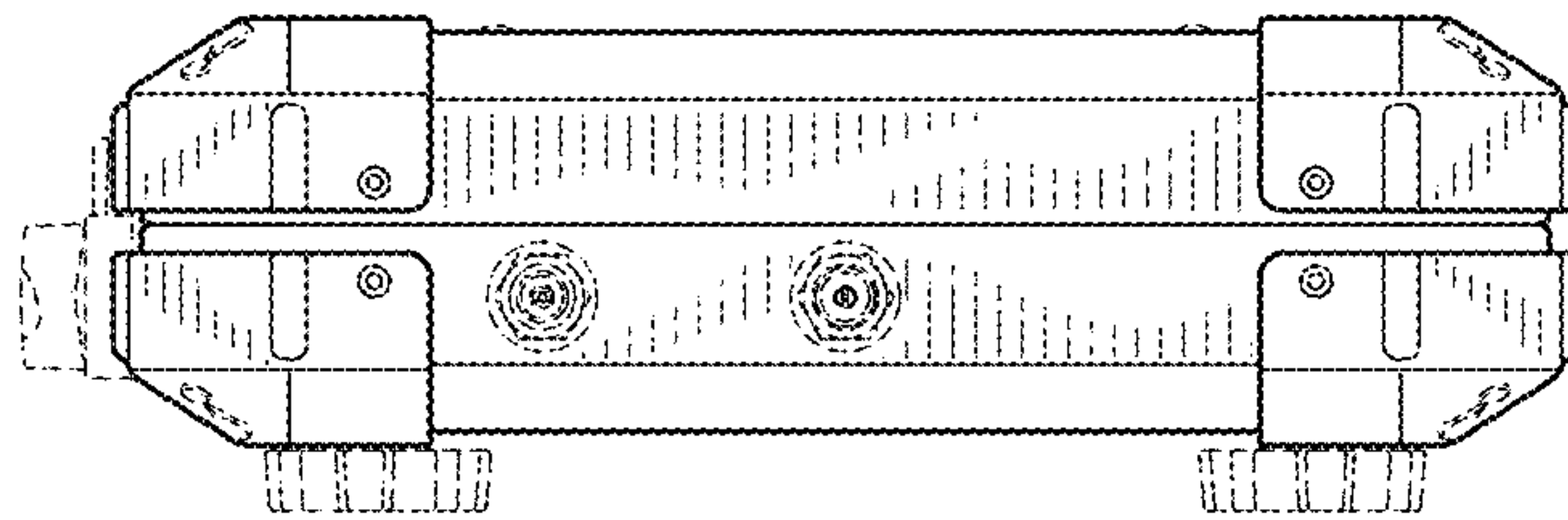


FIG. 8

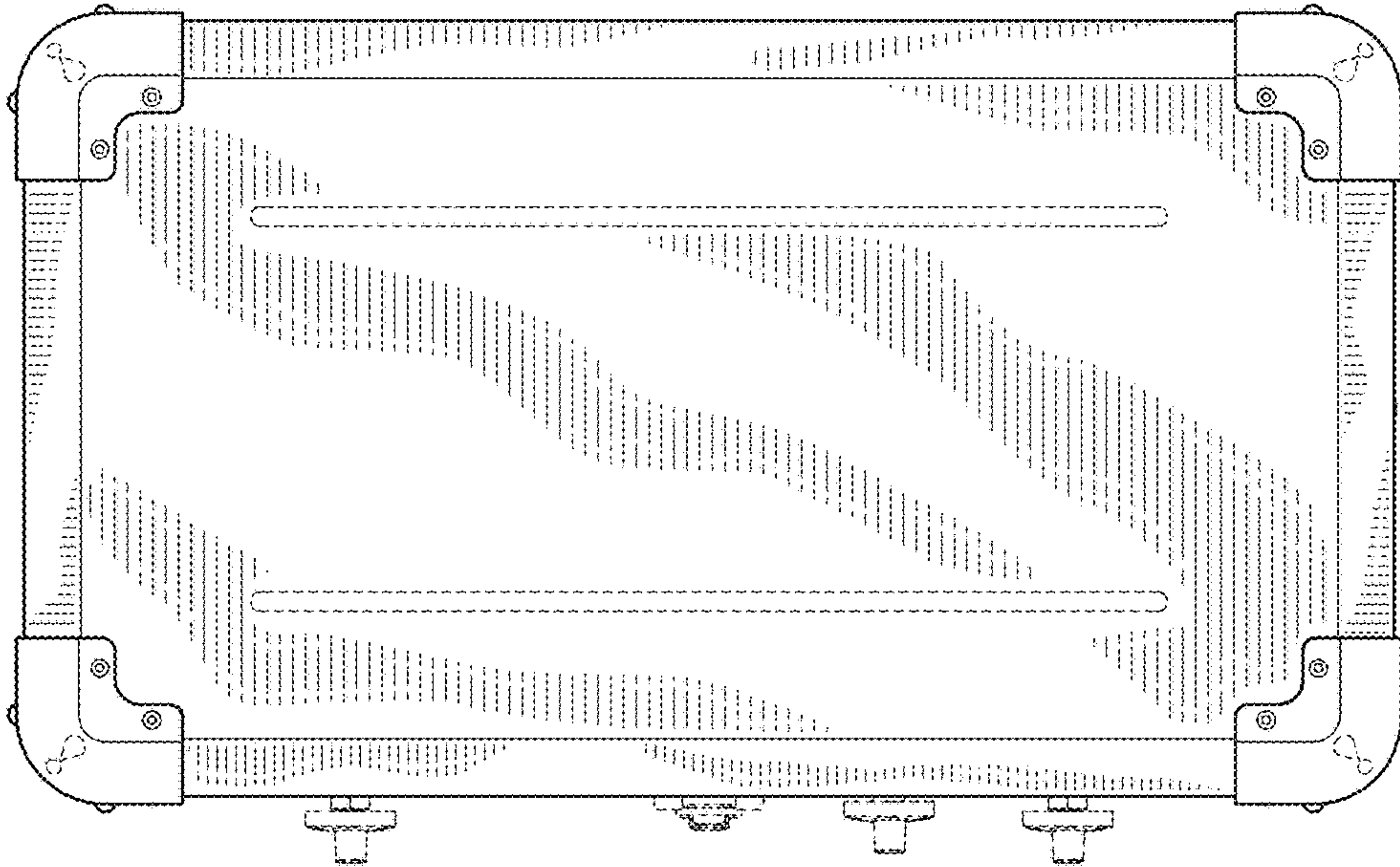


FIG. 9

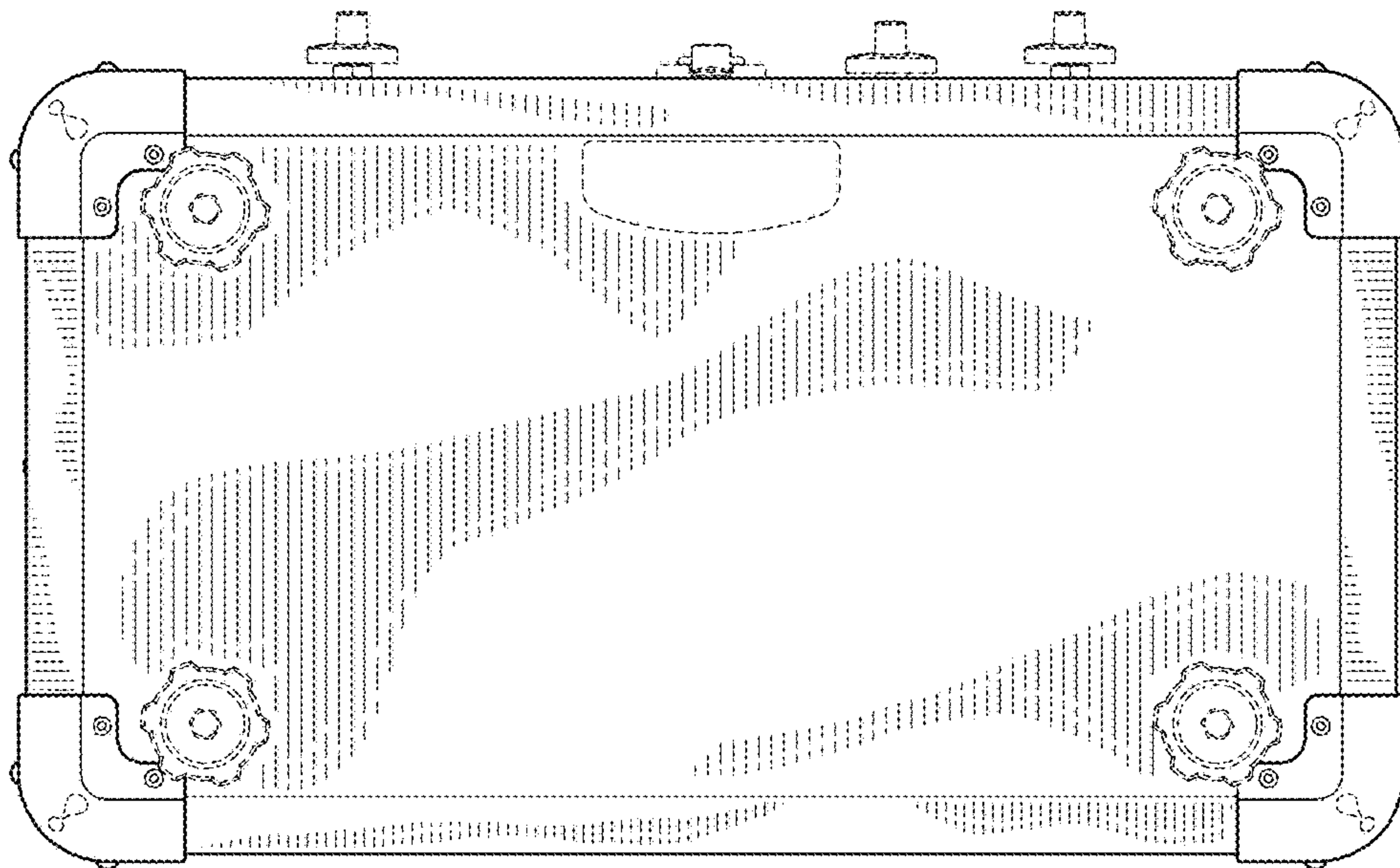


FIG. 10



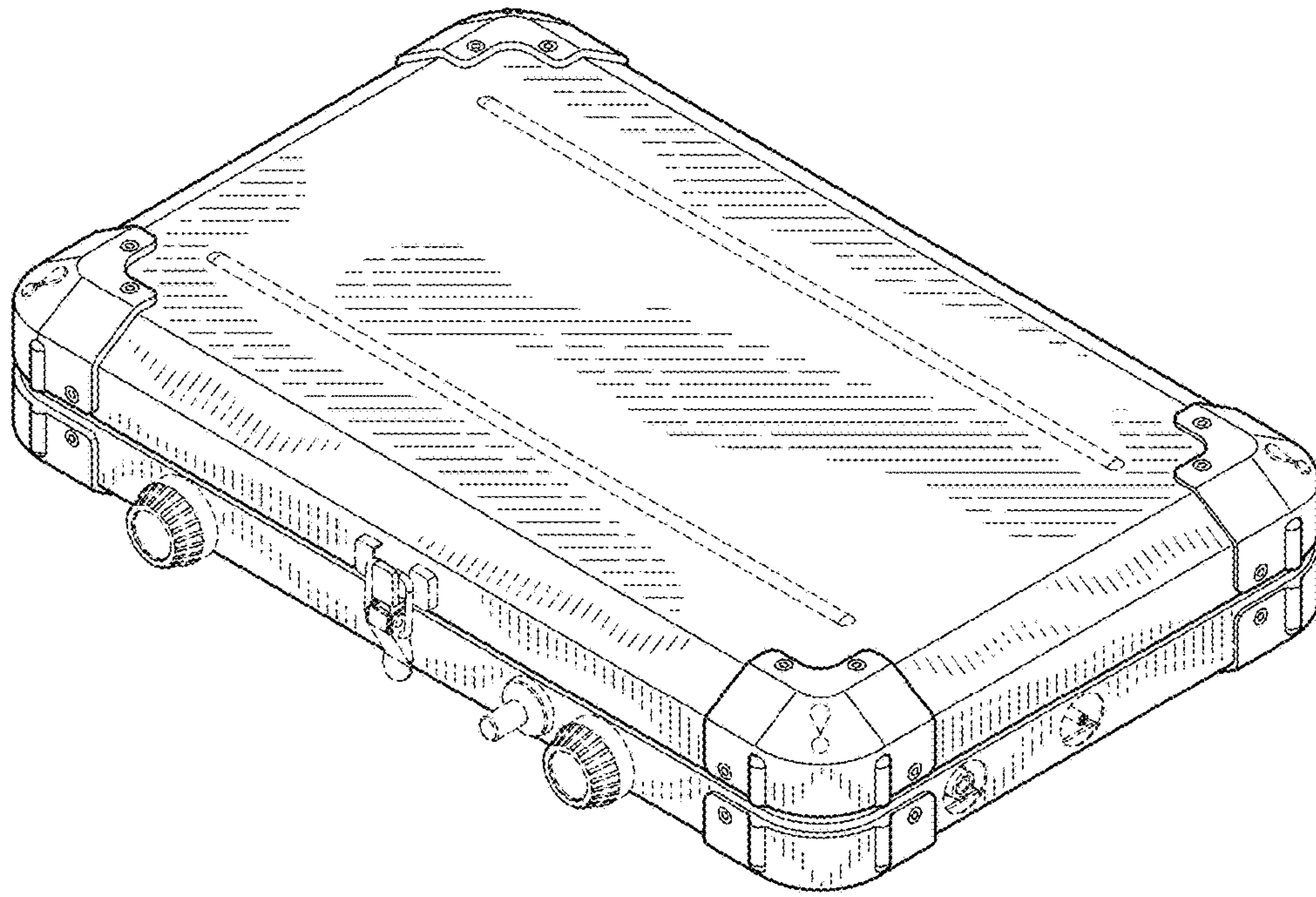


FIG. 11

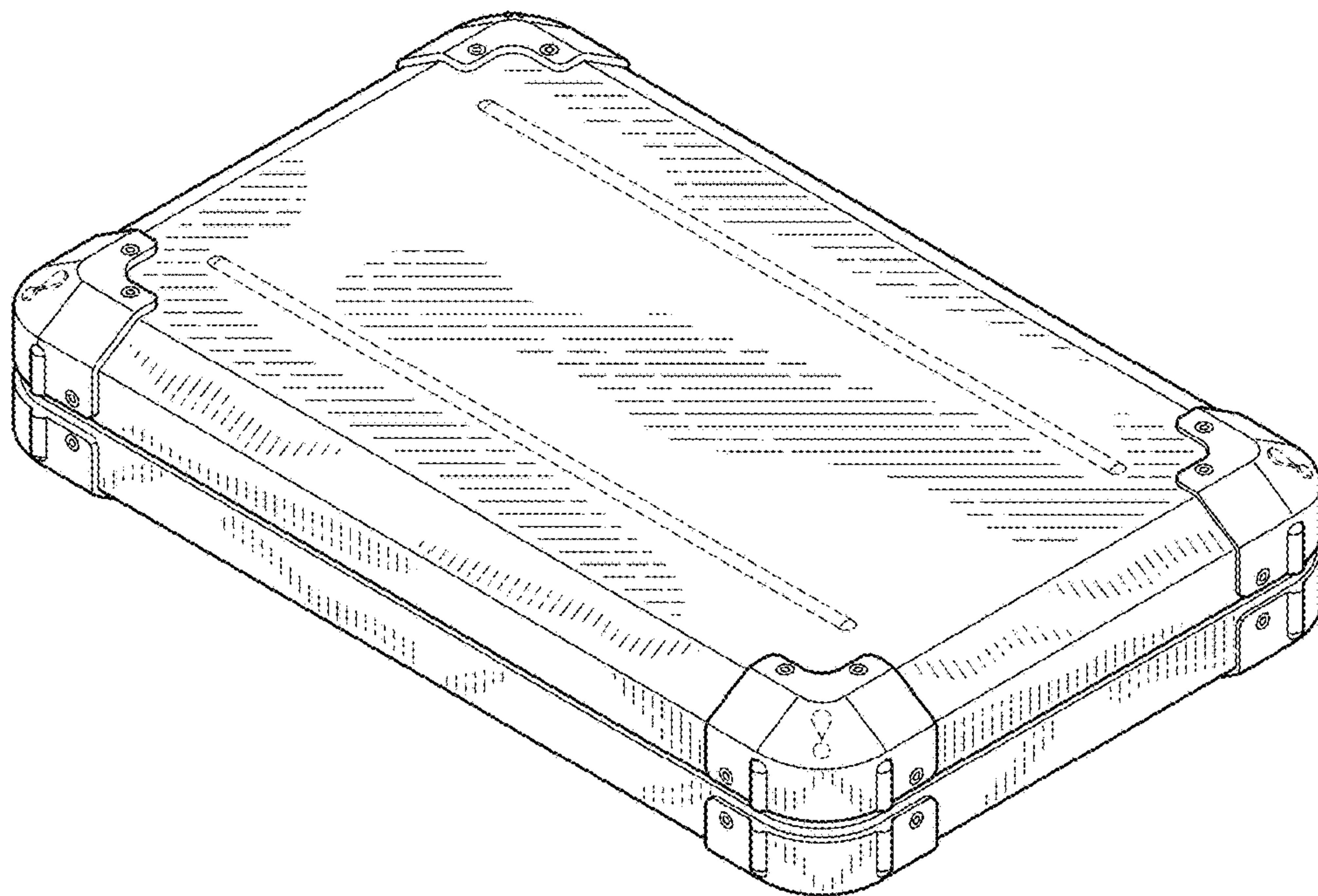


FIG. 12



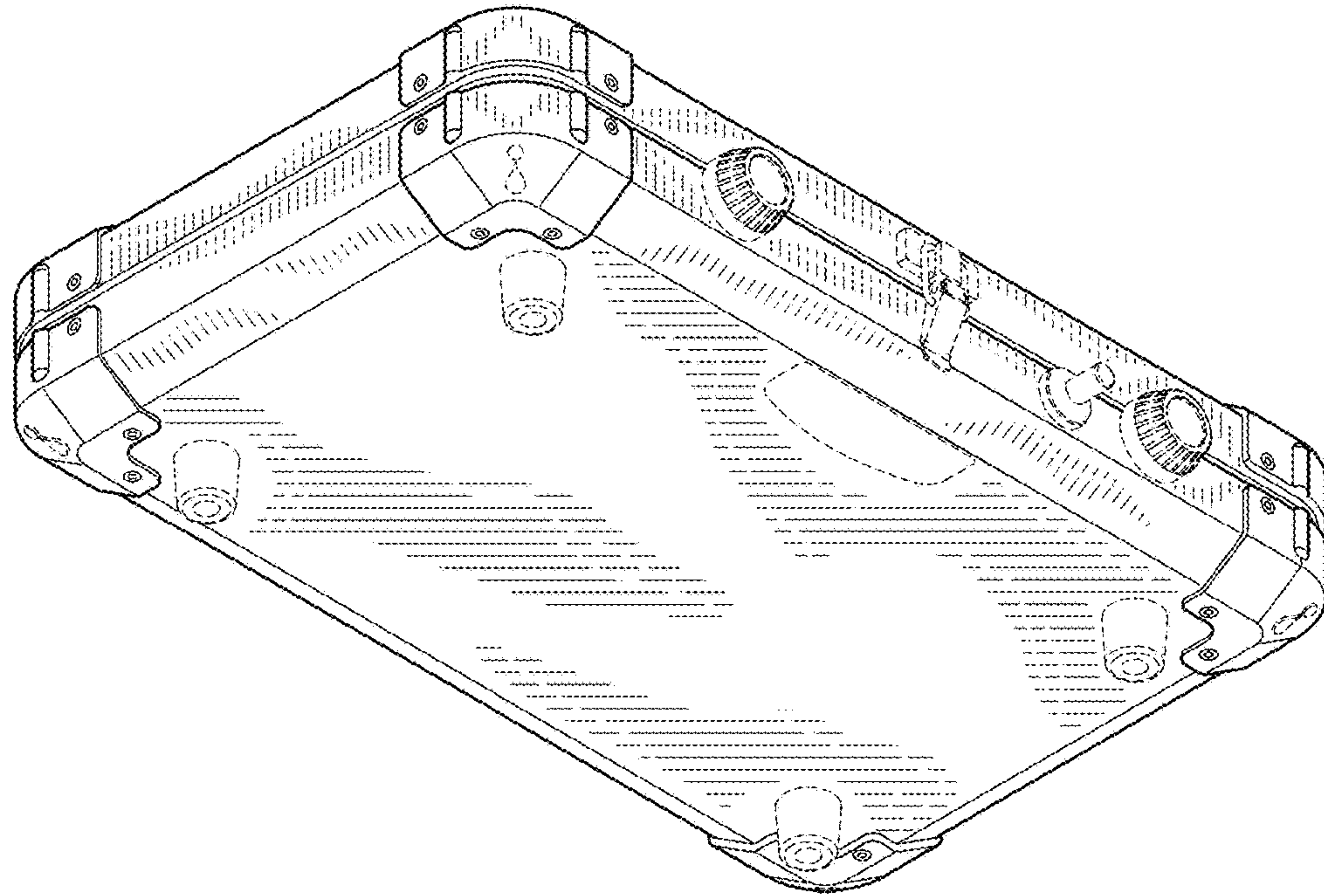


FIG. 13

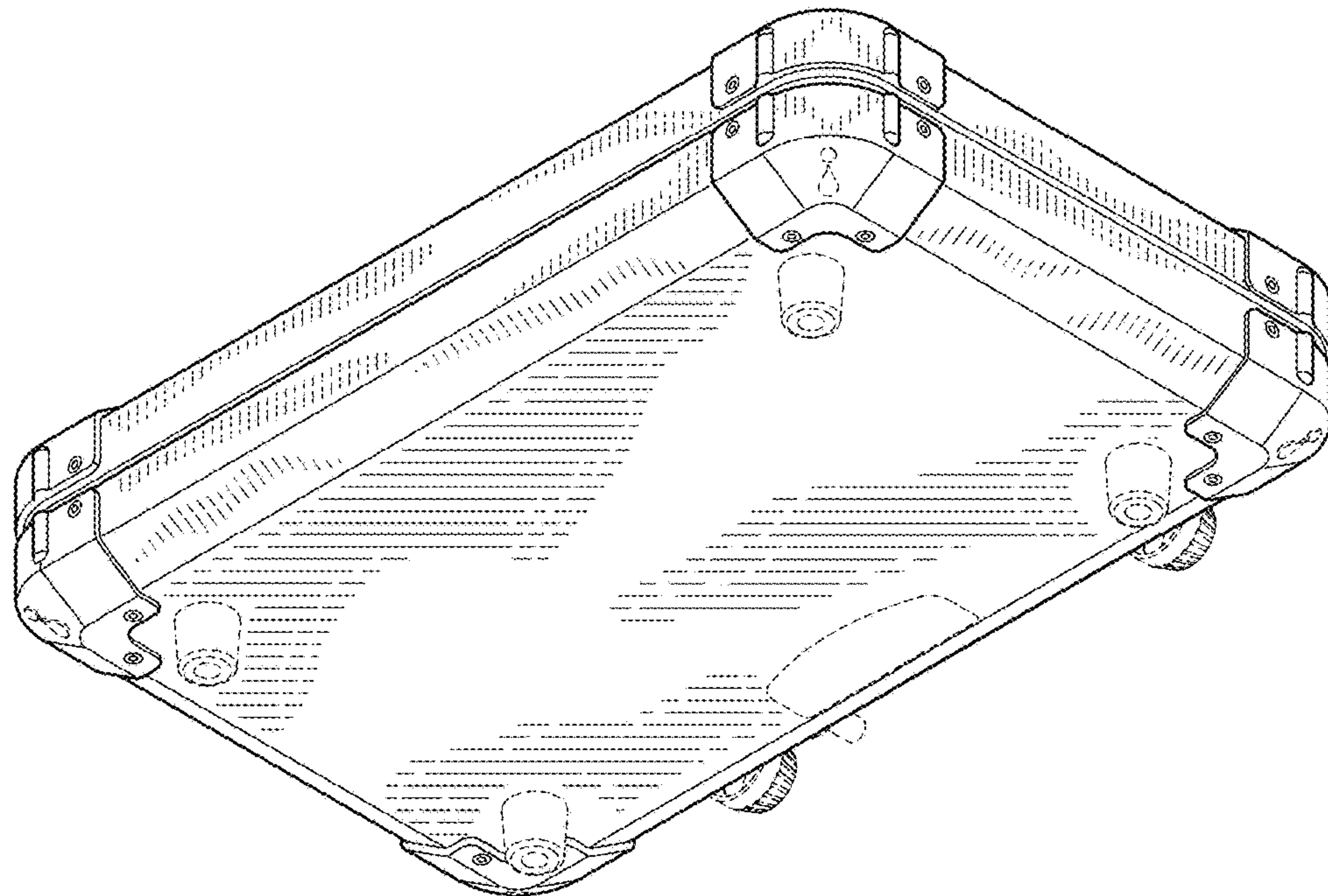


FIG. 14

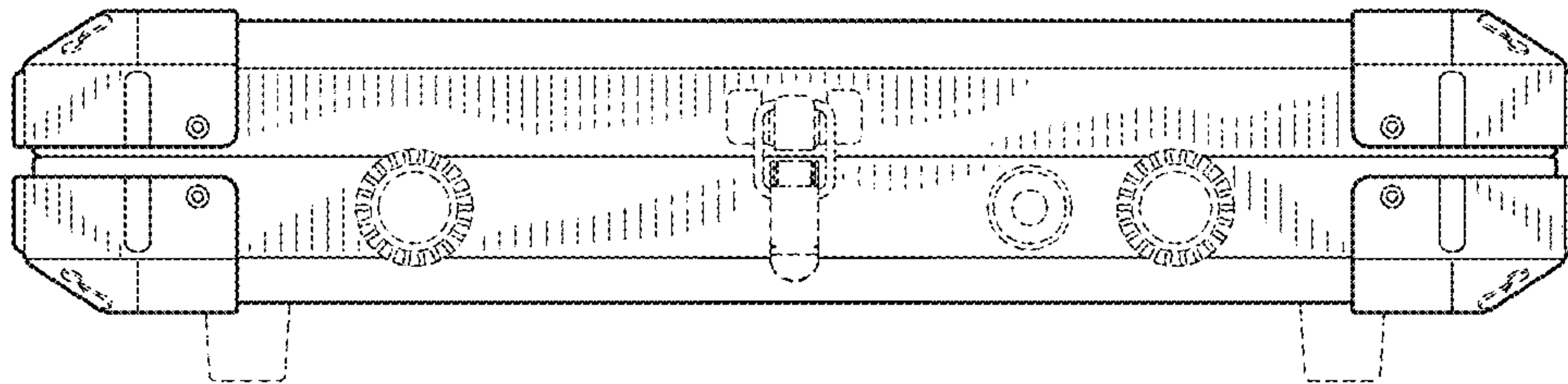


FIG. 15

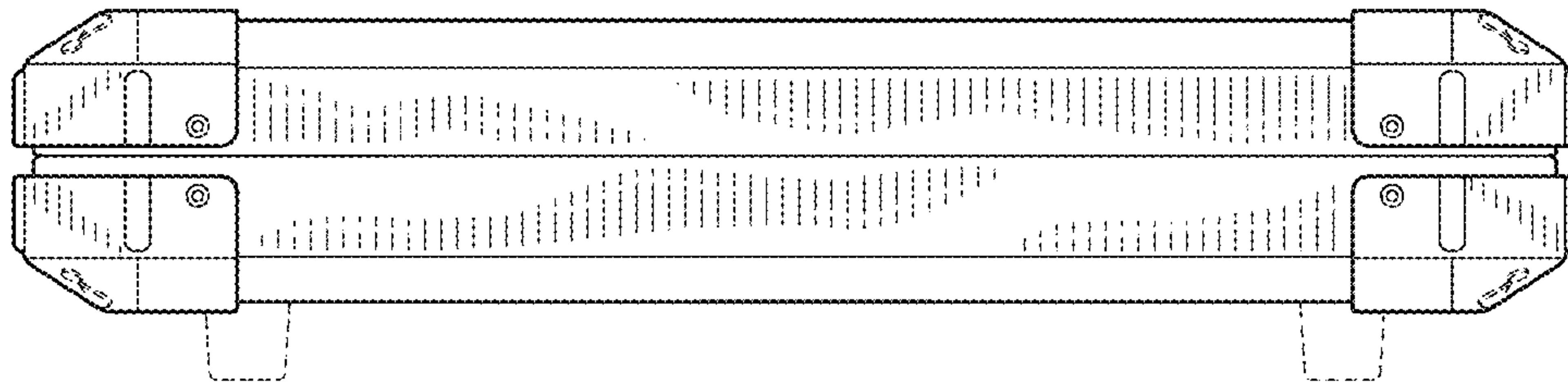


FIG. 16

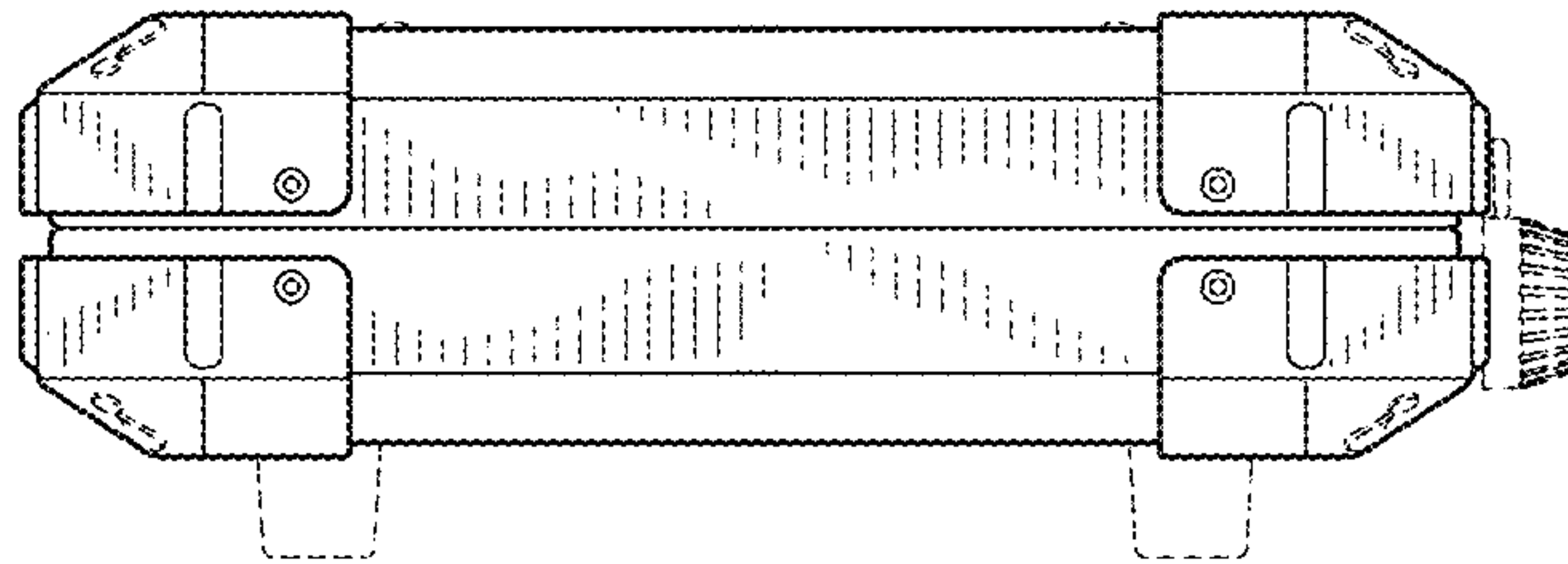


FIG. 17

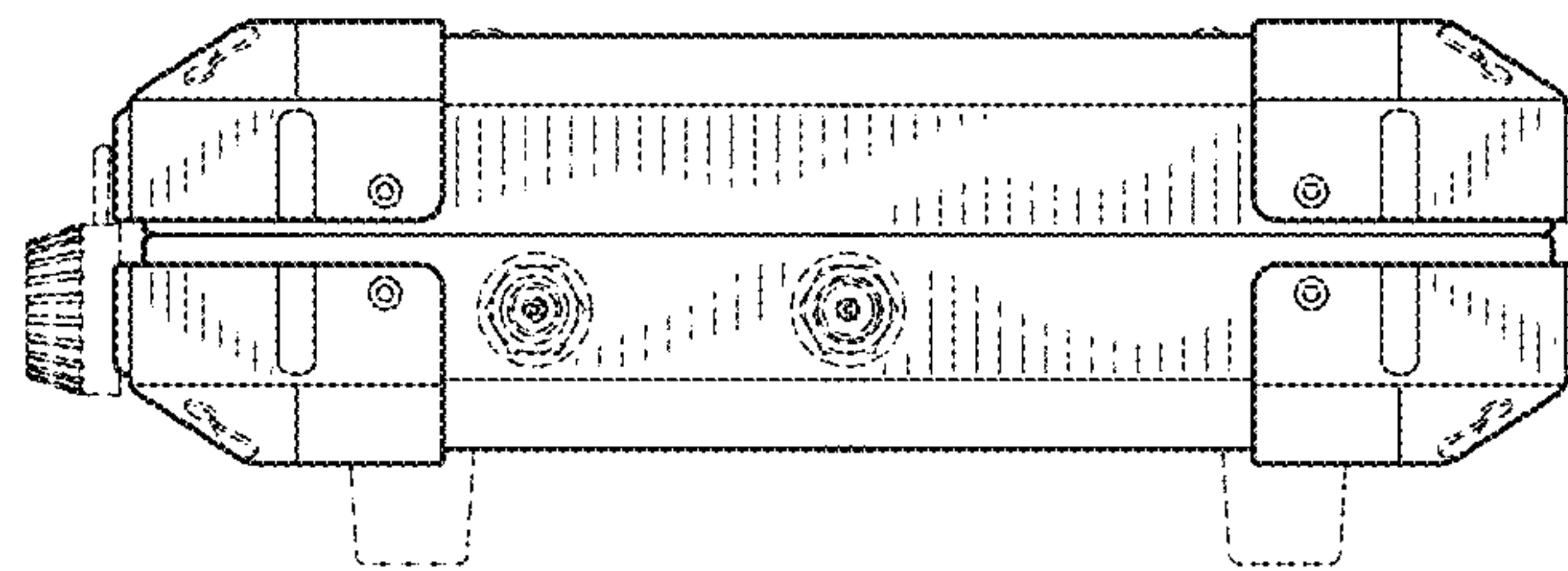


FIG. 18



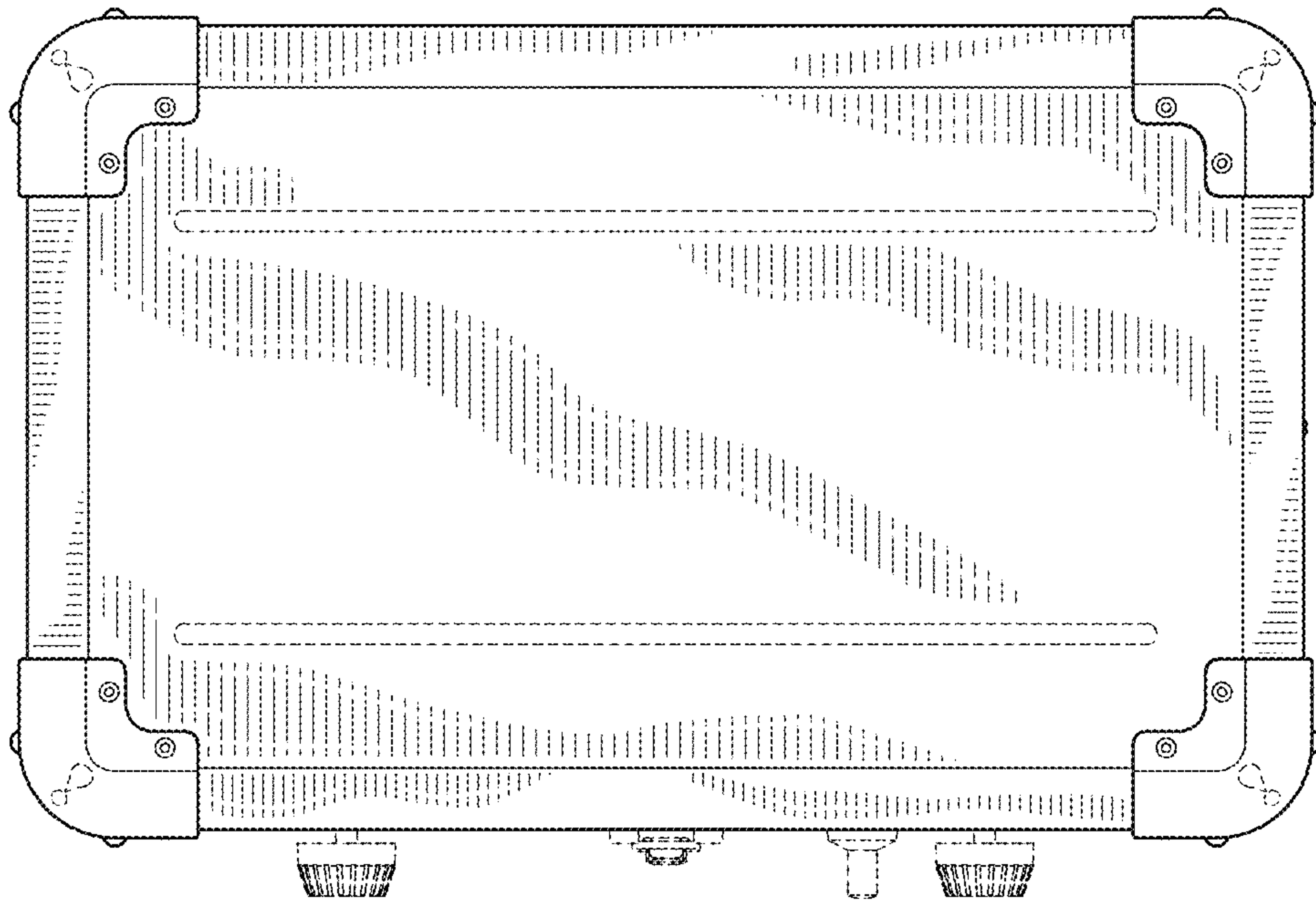


FIG. 19

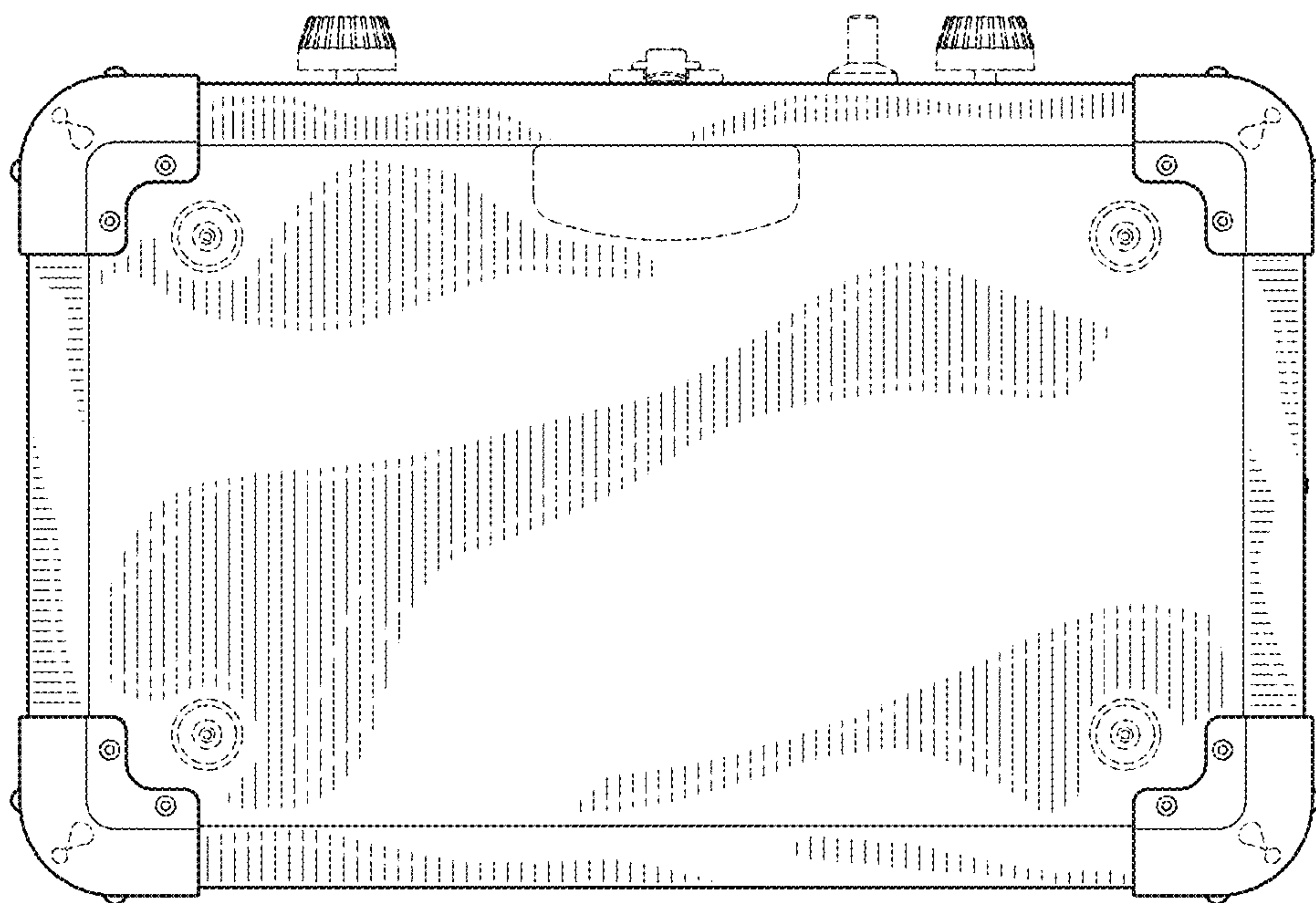


FIG. 20