



US00D784063S

(12) **United States Design Patent**  
**Bond et al.**

(10) **Patent No.:** **US D784,063 S**

(45) **Date of Patent:** **\*\* Apr. 18, 2017**

(54) **TEA KETTLE**

(71) Applicant: **Nostalgia Products LLC**, Green Bay, WI (US)

(72) Inventors: **Gregg Bond**, Beverly Hills, CA (US);  
**Edward E. Boughton, III**, Ventura, CA (US)

(73) Assignee: **NOSTALGIA PRODUCTS LLC**, Green Bay, WI (US)

(\*\*) Term: **15 Years**

(21) Appl. No.: **29/544,193**

(22) Filed: **Oct. 30, 2015**

(51) **LOC (10) Cl.** ..... **07-01**

(52) **U.S. Cl.**  
USPC ..... **D7/317; D7/318**

(58) **Field of Classification Search**  
USPC ..... D7/316–319.31, 312, 598, 600, 322;  
222/188, 465.1, 713; D23/209  
CPC .... A47J 41/0027; A47J 31/50; A47J 45/0077;  
A47J 31/053; A47G 19/22  
See application file for complete search history.

(56) **References Cited**

**U.S. PATENT DOCUMENTS**

D366,388 S *	1/1996	Alessi Anghini	.....	D7/317
D399,090 S *	10/1998	Green	.....	D7/318
D413,481 S *	9/1999	Choi	.....	D7/317
6,355,911 B2 *	3/2002	Chan	.....	A47J 31/4457
				116/227
D463,947 S *	10/2002	Choi	.....	D7/317
D599,161 S *	9/2009	Friel, Sr.	.....	D7/317
D602,304 S *	10/2009	Elissen	.....	D7/317
D613,988 S *	4/2010	Lane	.....	D7/317
D714,586 S *	10/2014	Grasselli	.....	D7/319
D718,974 S *	12/2014	De'Longhi	.....	D7/317
D720,175 S *	12/2014	Gort-Barten	.....	D7/312

(Continued)

*Primary Examiner* — Marianne Pandozzi

(74) *Attorney, Agent, or Firm* — Blakely Sokoloff Taylor & Zafman LLP

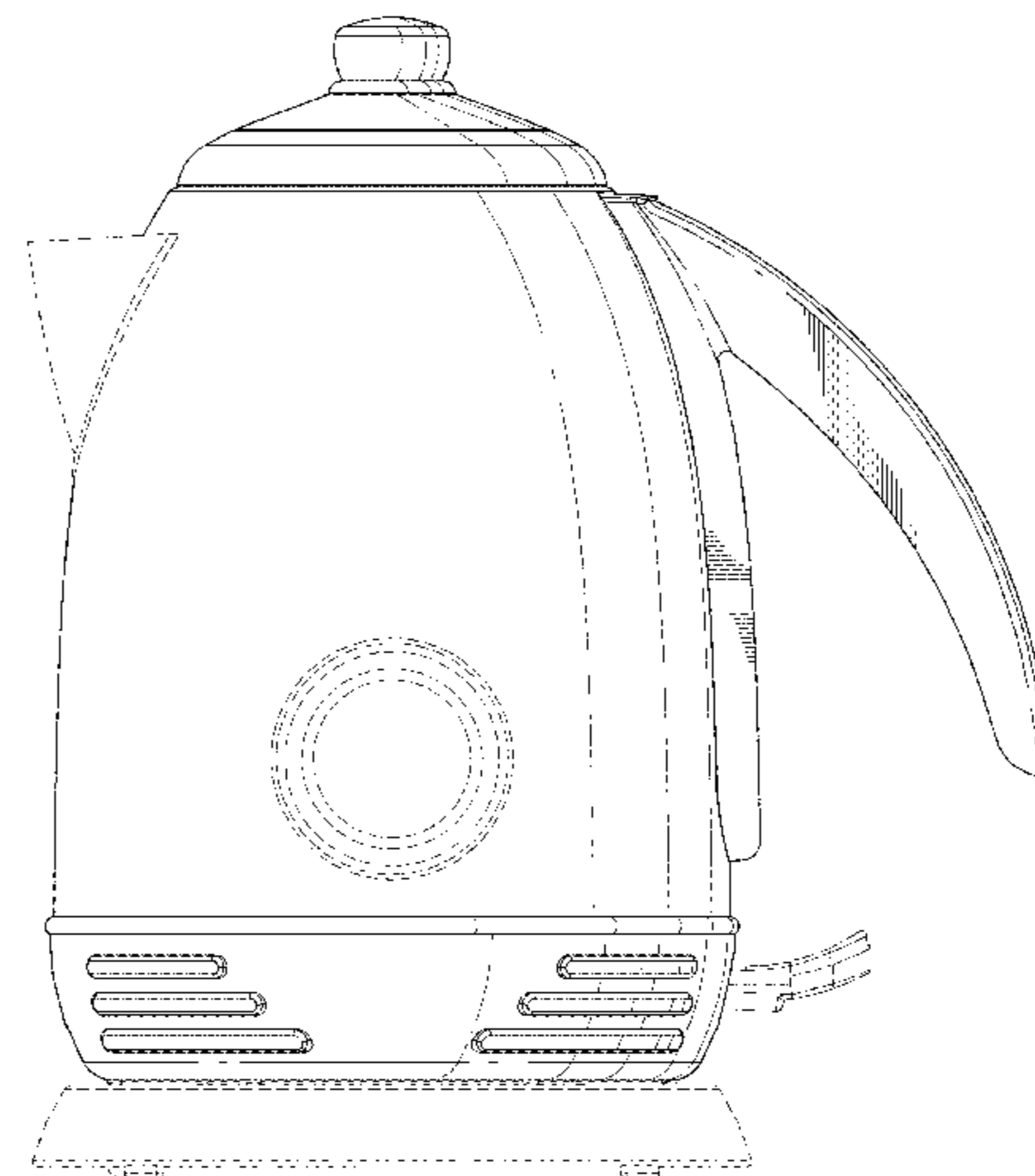
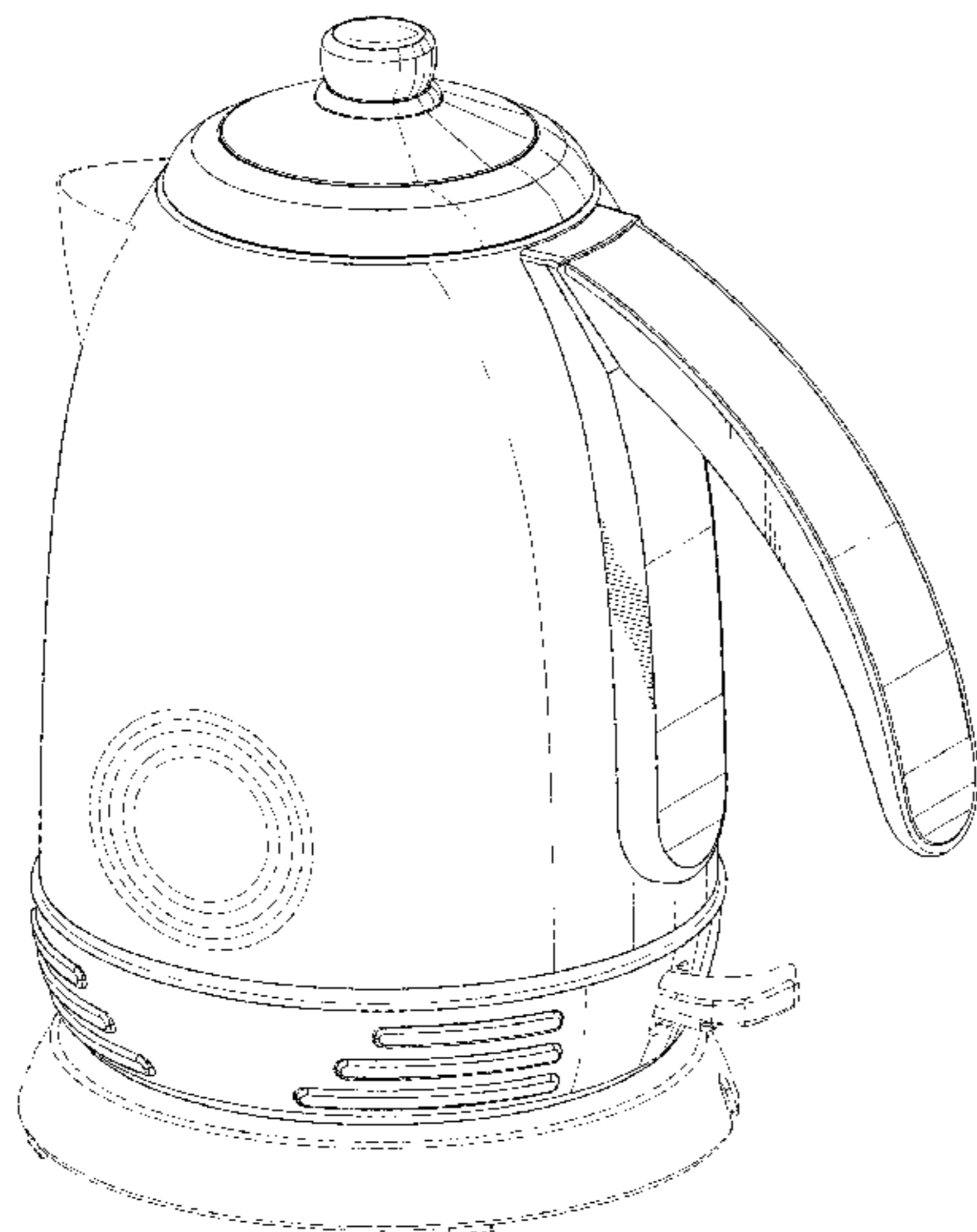
(57) **CLAIM**

The ornamental design for tea kettle, as shown and described.

**DESCRIPTION**

FIG. 1 is a perspective view of a tea kettle showing our new design;  
 FIG. 2 is a right side elevation view thereof.  
 FIG. 3 is a left side elevation view thereof.  
 FIG. 4 is a rear elevation view thereof.  
 FIG. 5 is a front elevation view thereof.  
 FIG. 6 is a top plan view thereof.  
 FIG. 7 is a bottom plan view thereof.  
 FIG. 8 is a perspective view of a tea kettle showing a second embodiment of our new design;  
 FIG. 9 is a right side elevational view thereof;  
 FIG. 10 is a left side elevation view thereof.  
 FIG. 11 is a rear elevation view thereof.  
 FIG. 12 is a front elevation view thereof.  
 FIG. 13 is a top plan view thereof.  
 FIG. 14 is a bottom plan view thereof.  
 FIG. 15 is a perspective view of a tea kettle showing a third embodiment of our new design;  
 FIG. 16 is a right side elevation view thereof.  
 FIG. 17 is a left side elevation view thereof.  
 FIG. 18 is a rear elevation view thereof.  
 FIG. 19 is a front elevation view thereof.  
 FIG. 20 is a top plan view thereof; and,  
 FIG. 21 is a bottom plan view thereof.  
 The broken lines in the drawing depict portions of the tea kettle that form no part of the claimed design.  
 All portions of the drawings shown in dashed lines are for illustrative purposes only and form no part of the claimed design.

**1 Claim, 18 Drawing Sheets**



(56)

**References Cited**

U.S. PATENT DOCUMENTS

D726,485 S \* 4/2015 Mullen ..... D7/317  
D752,911 S \* 4/2016 Bazzicalupo ..... D7/317

\* cited by examiner

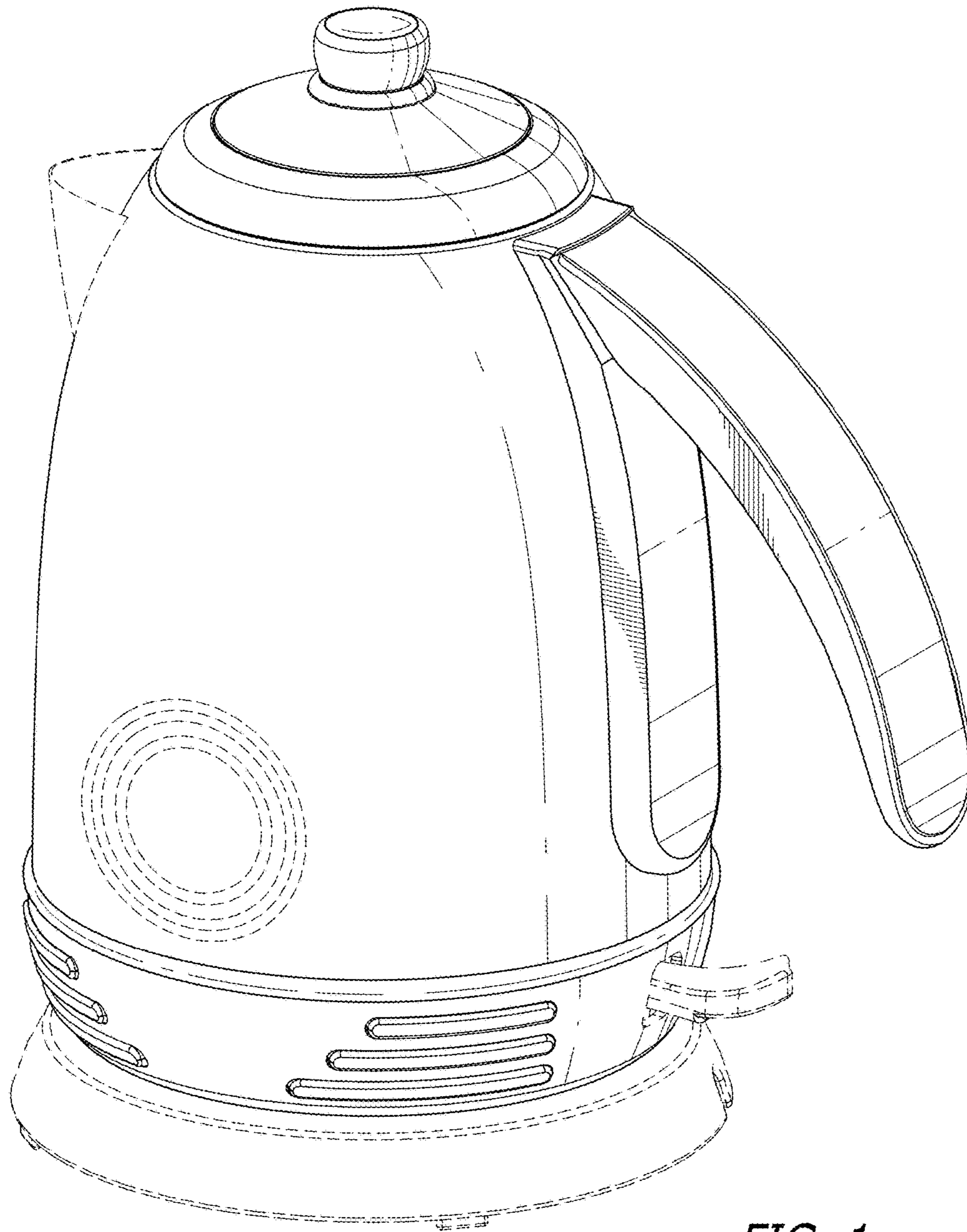


FIG. 1

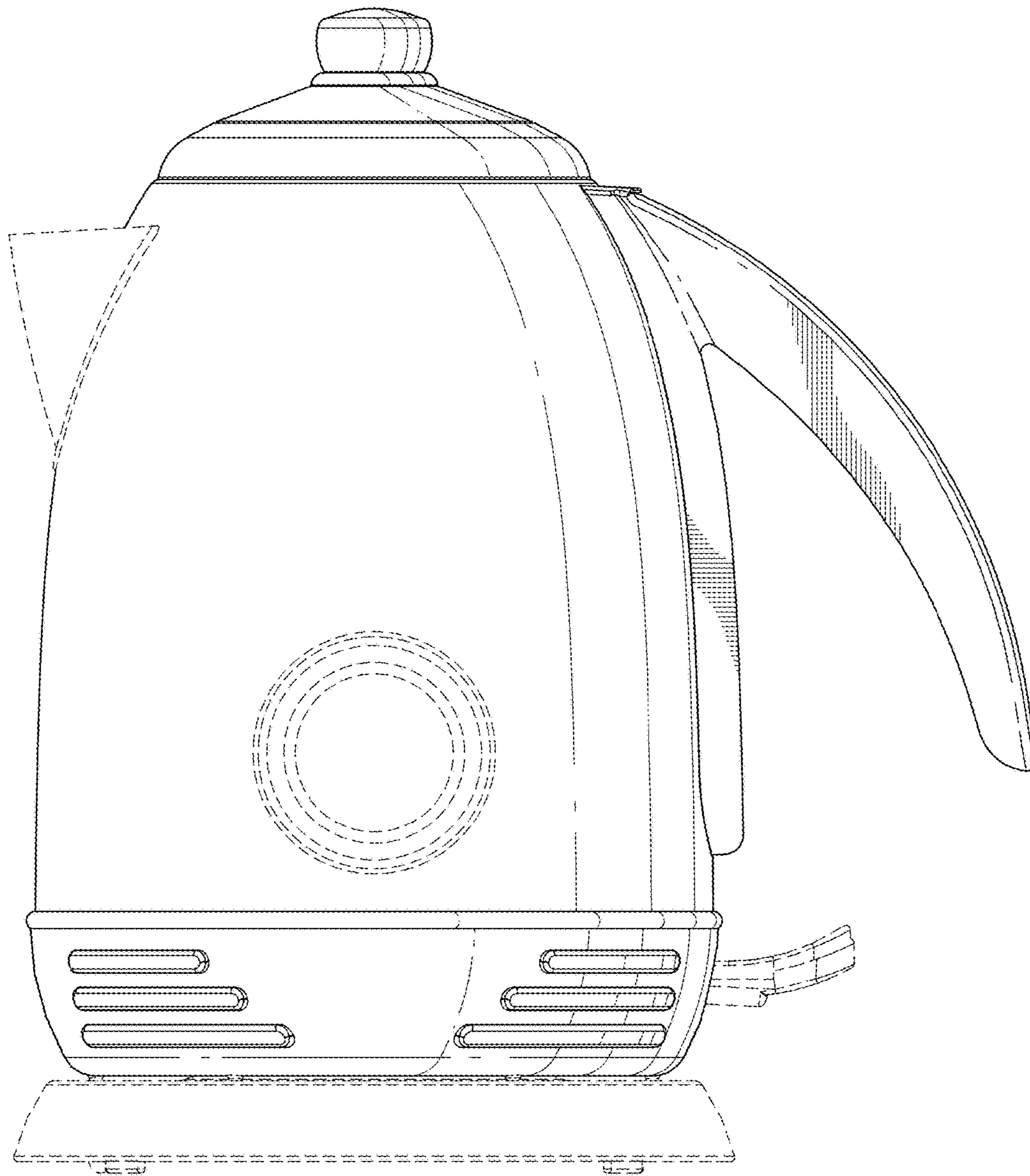


FIG. 2



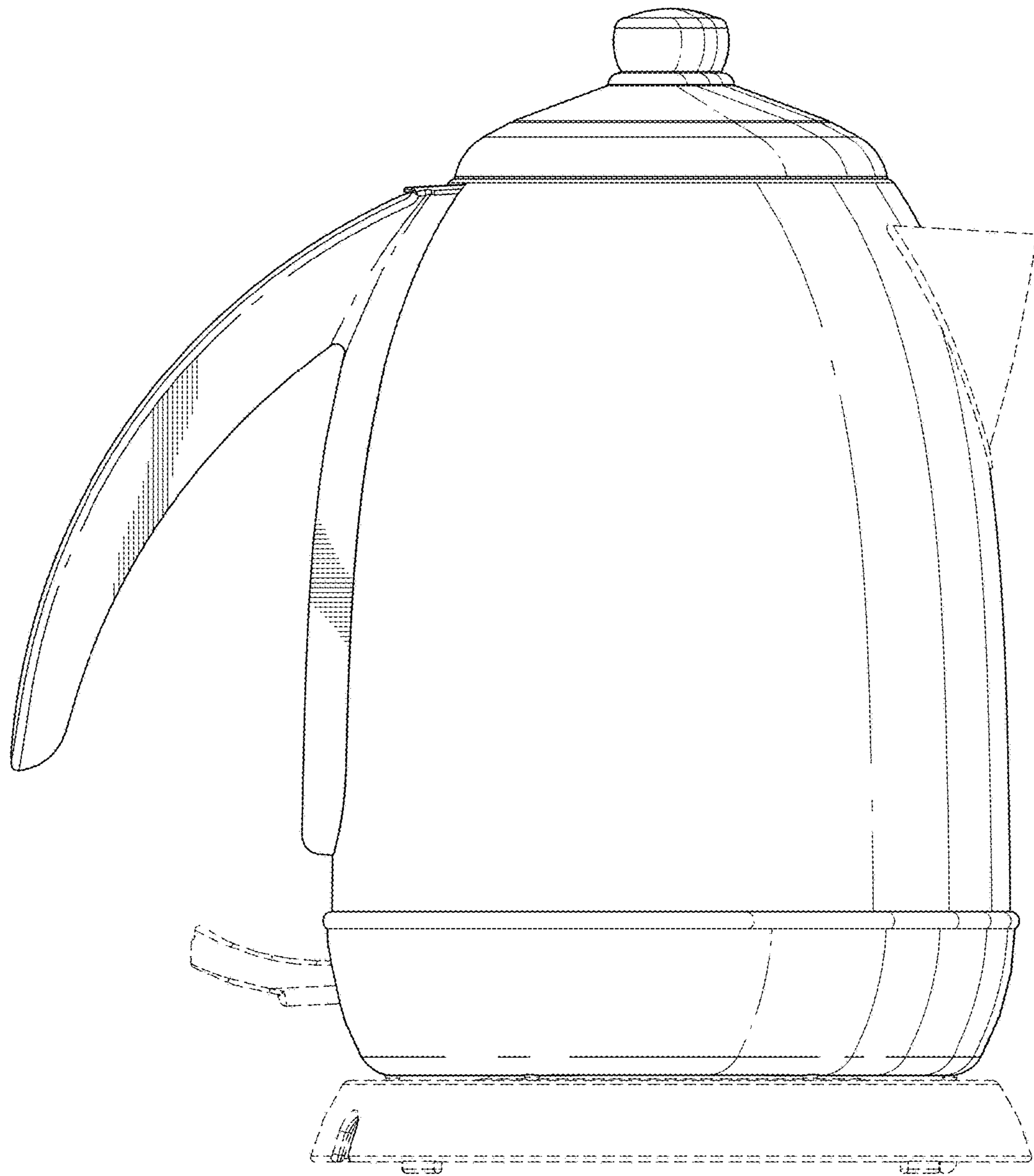


FIG. 3

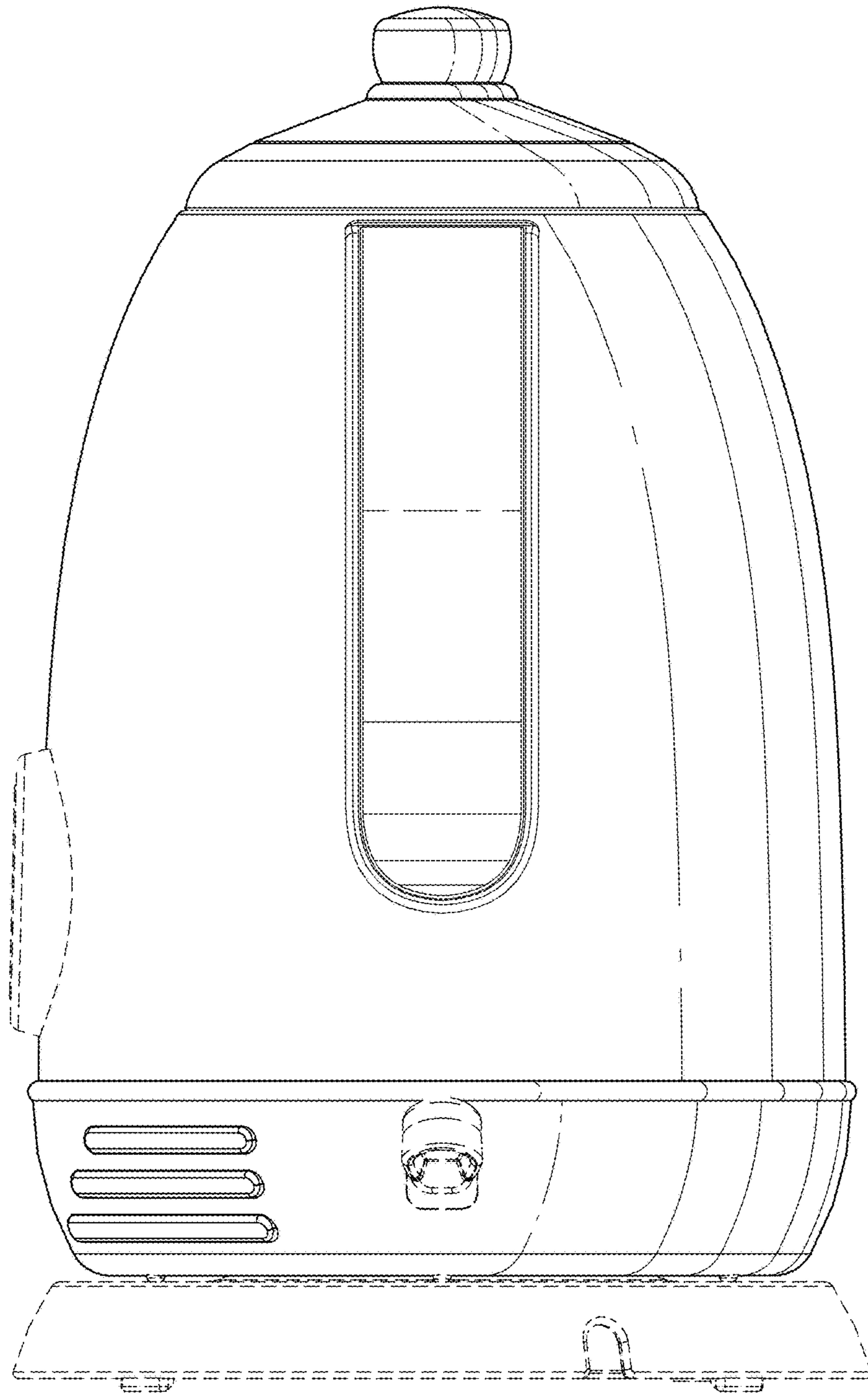
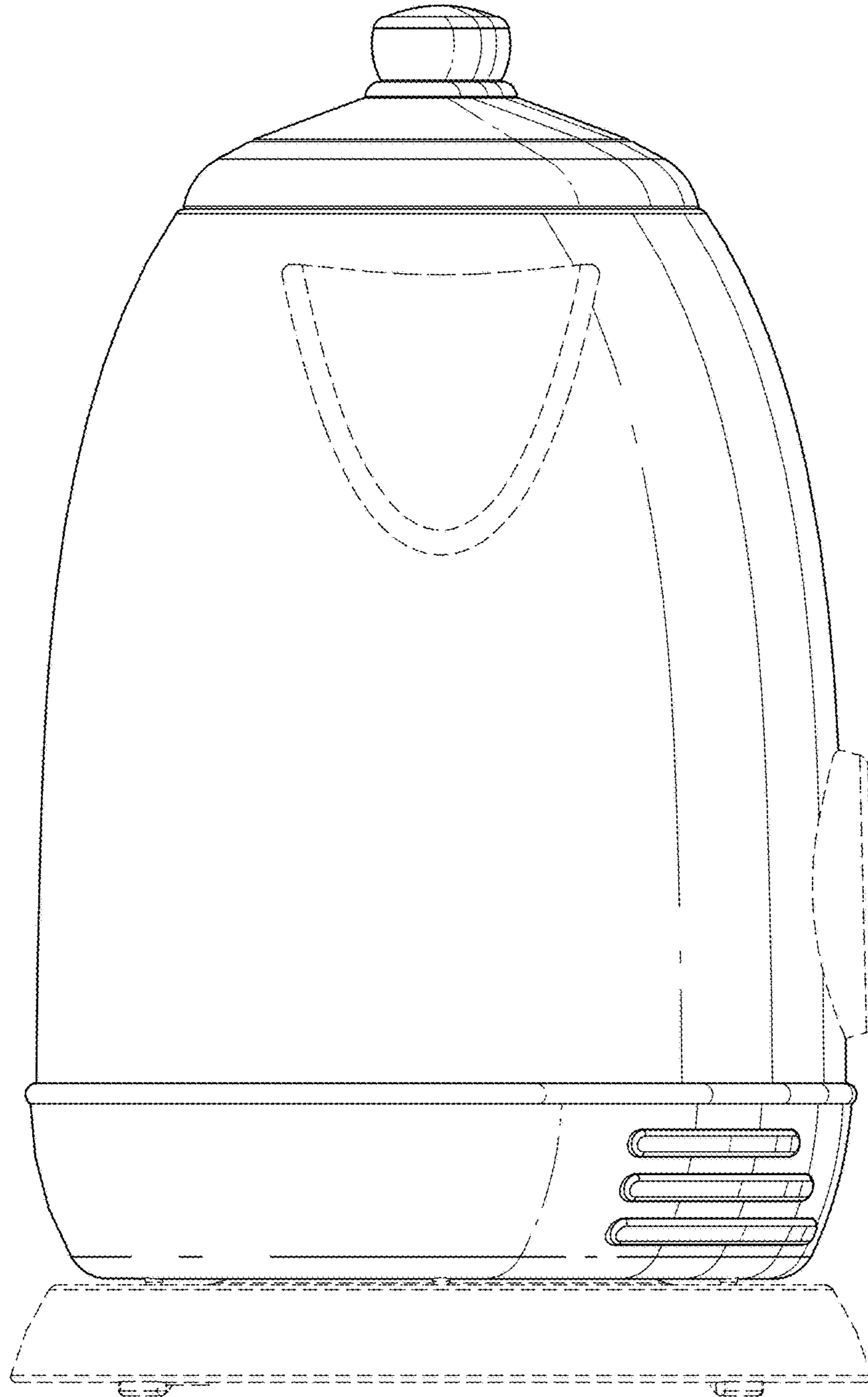


FIG. 4



*FIG. 5*

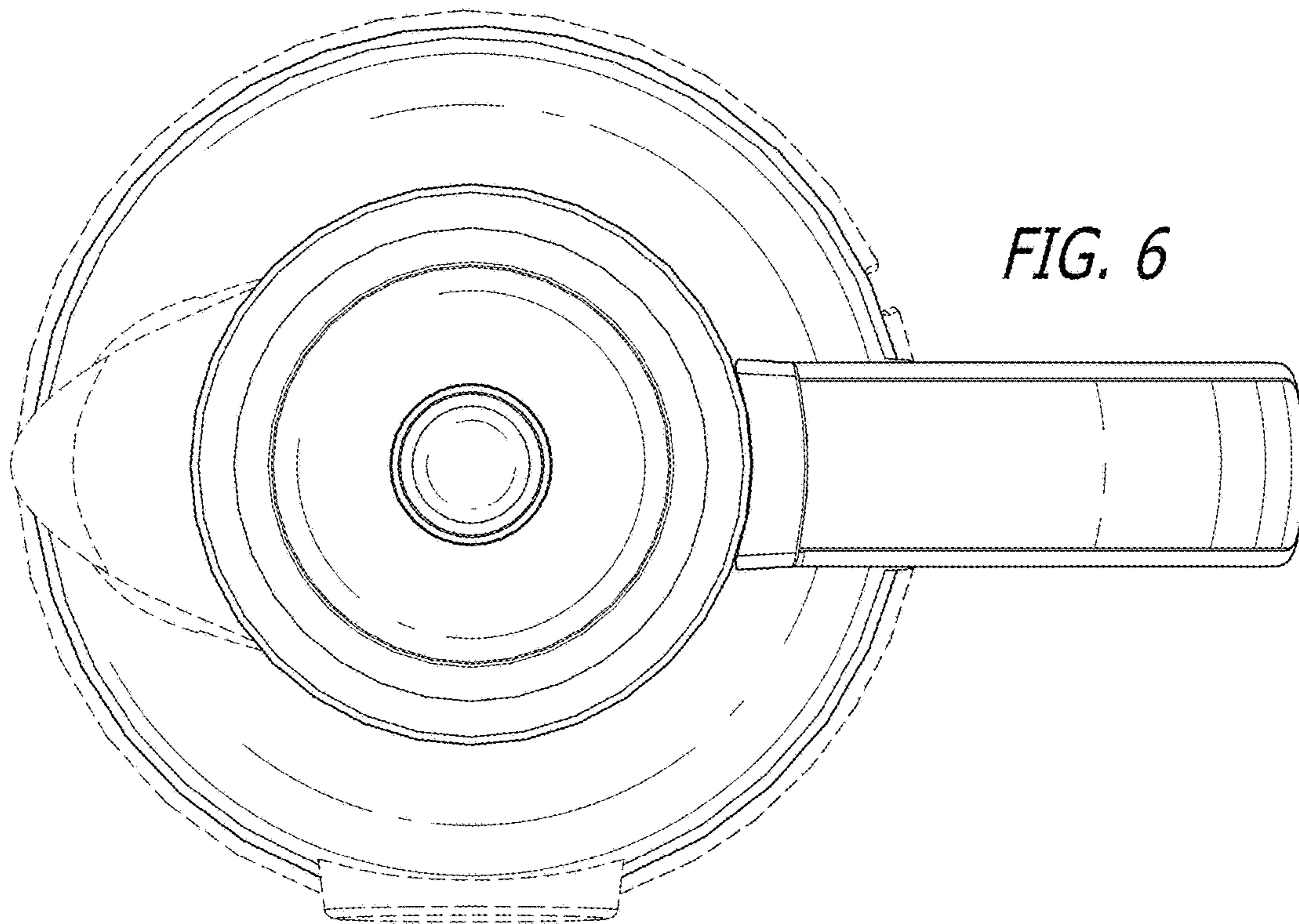


FIG. 6

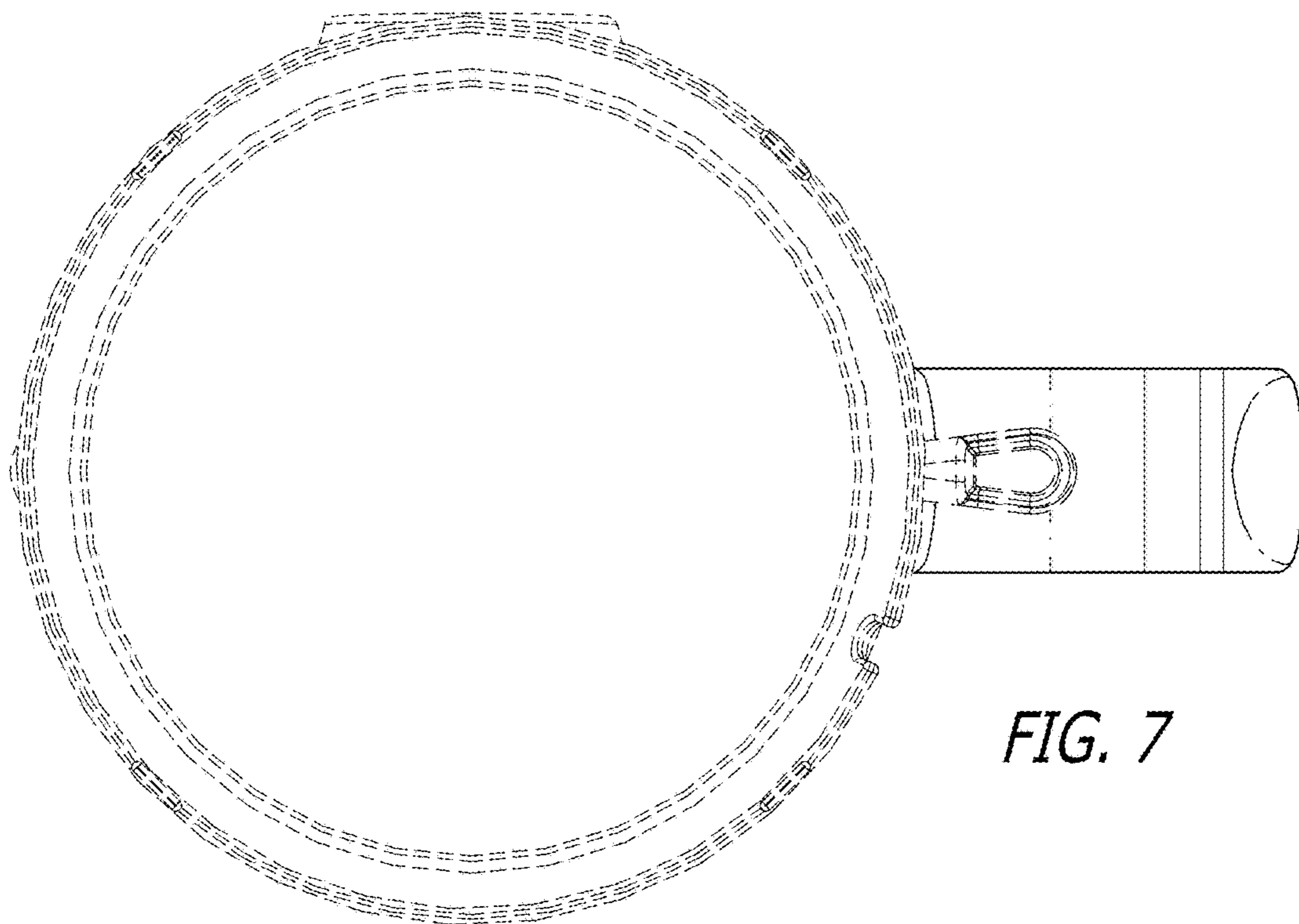


FIG. 7



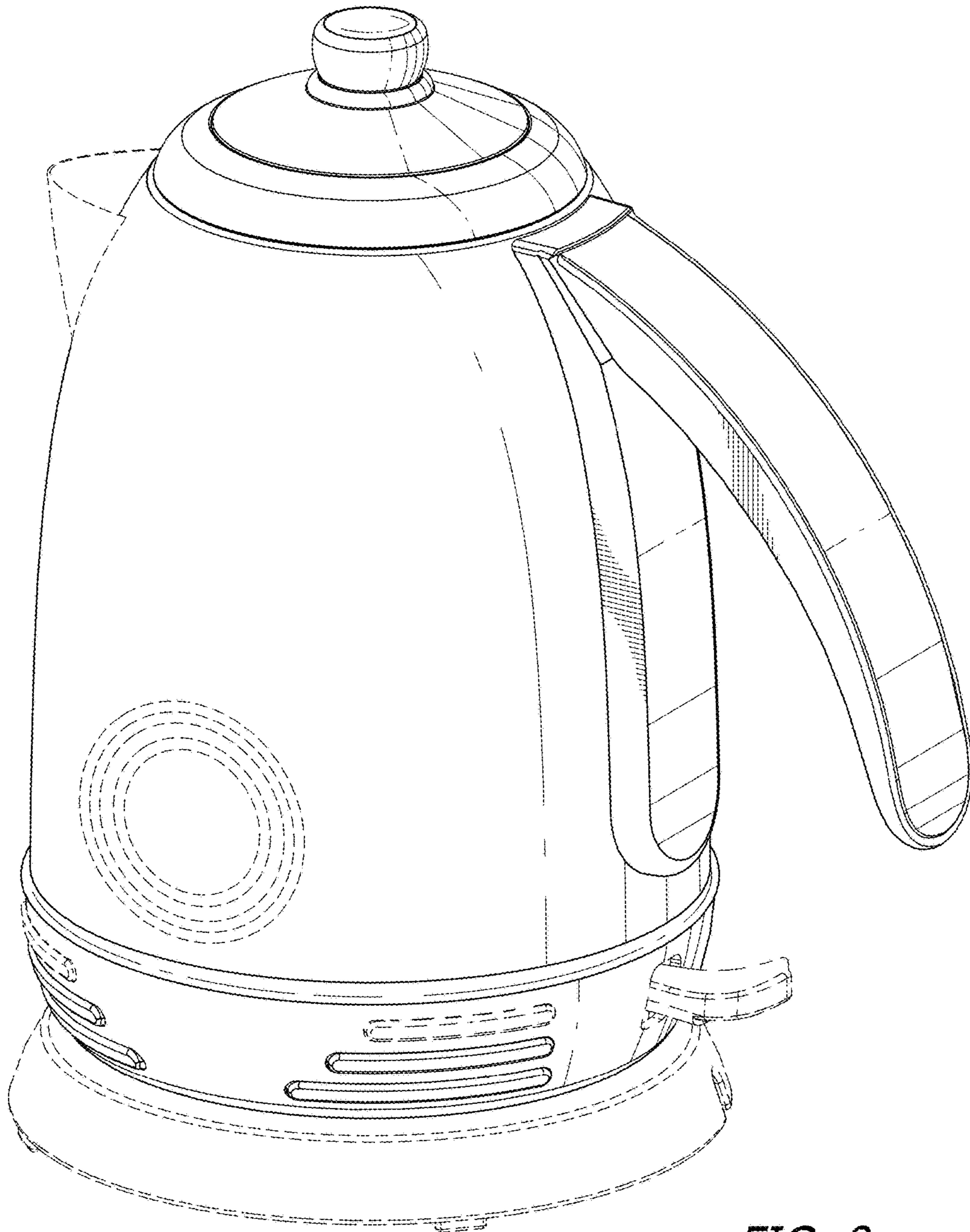


FIG. 8

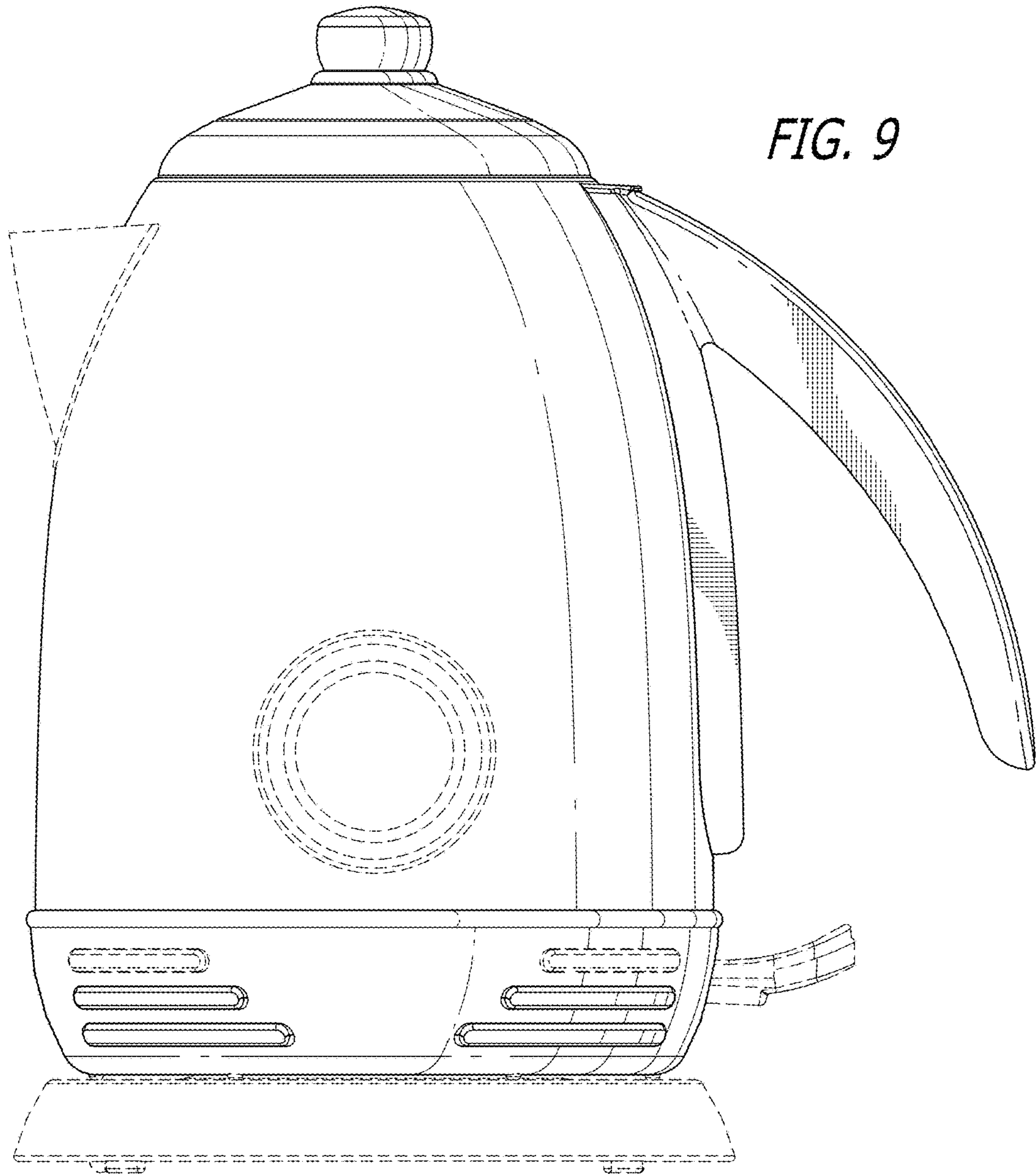
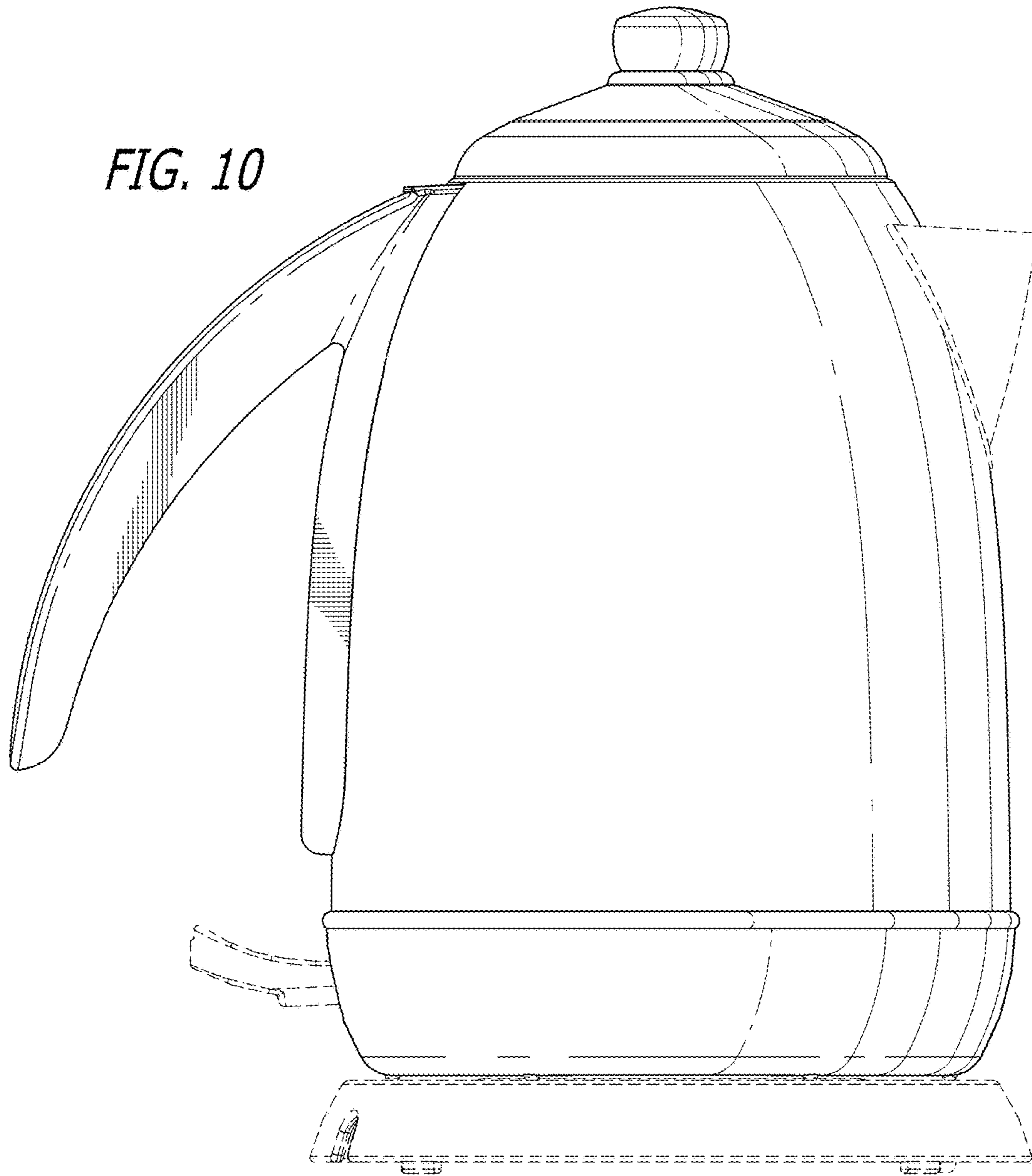
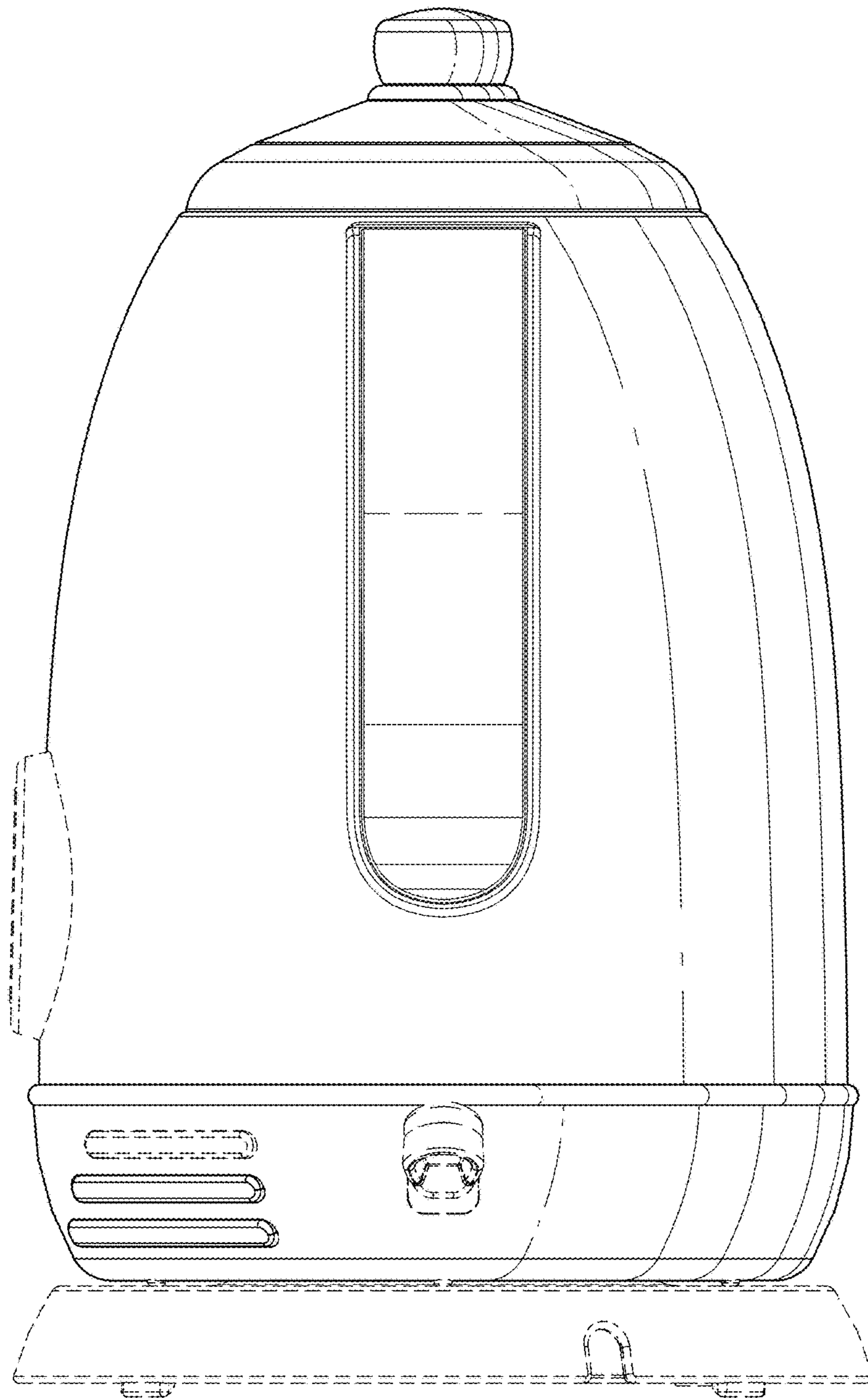


FIG. 9

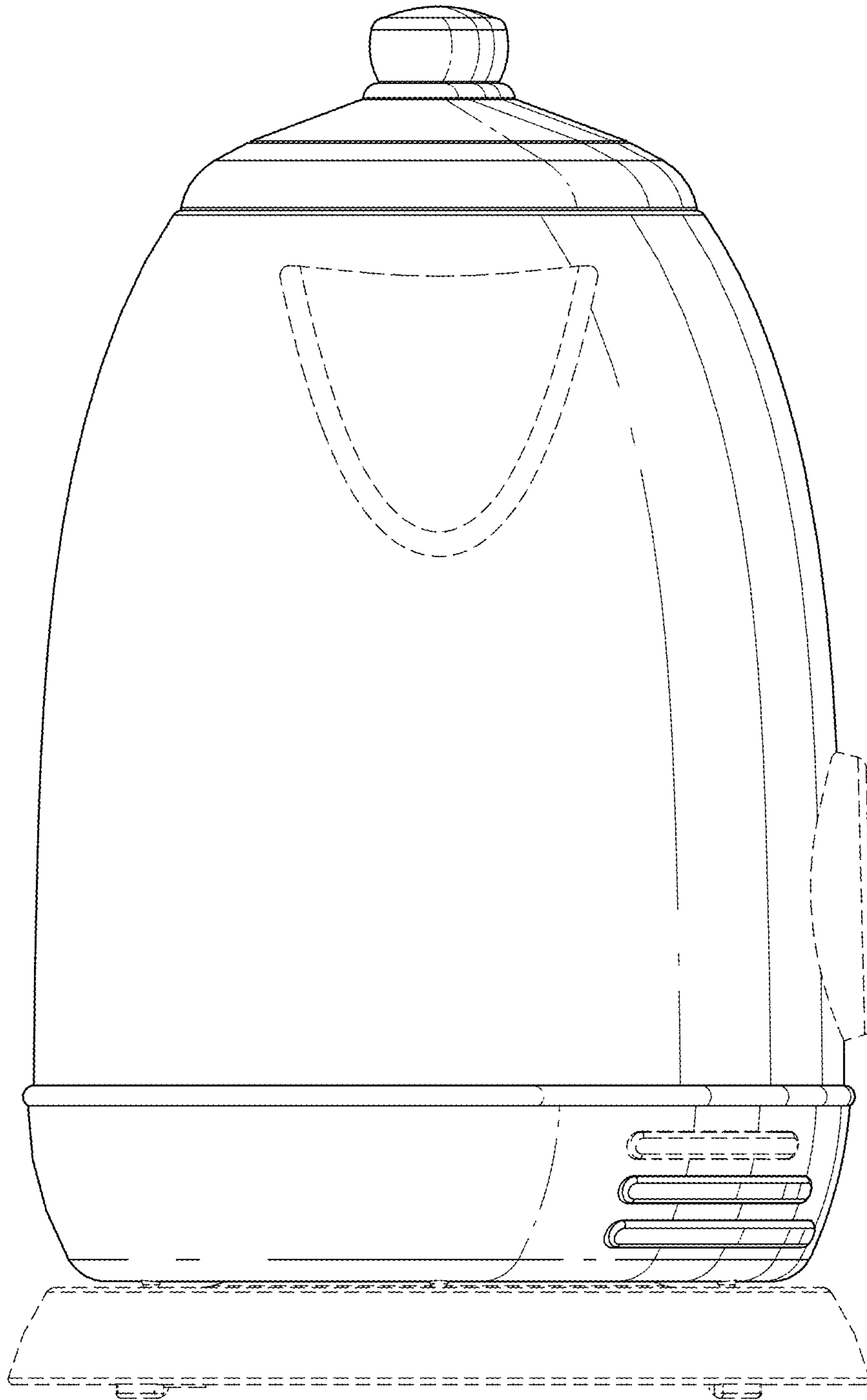
*FIG. 10*





*FIG. 11*





*FIG. 12*

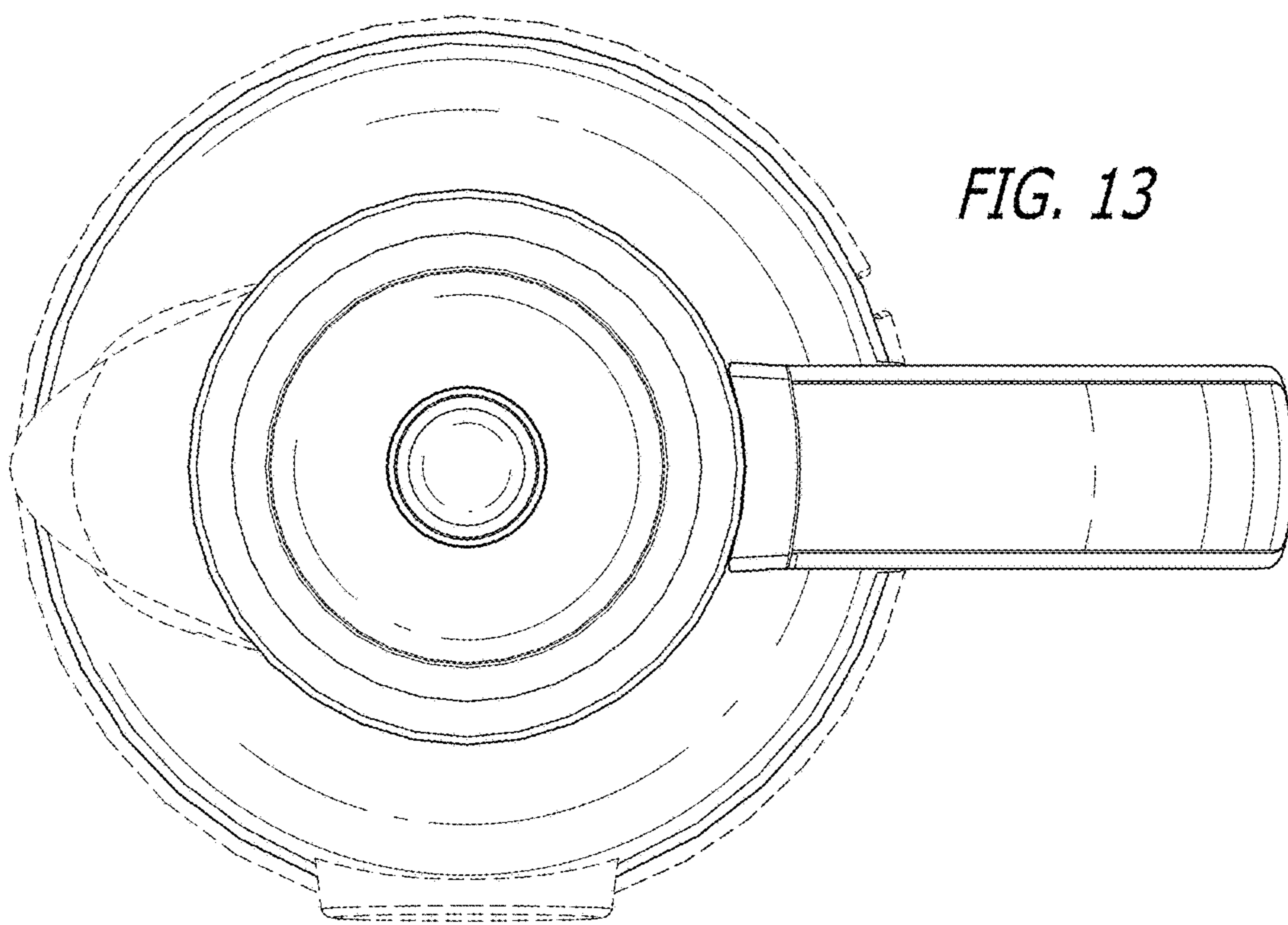


FIG. 13

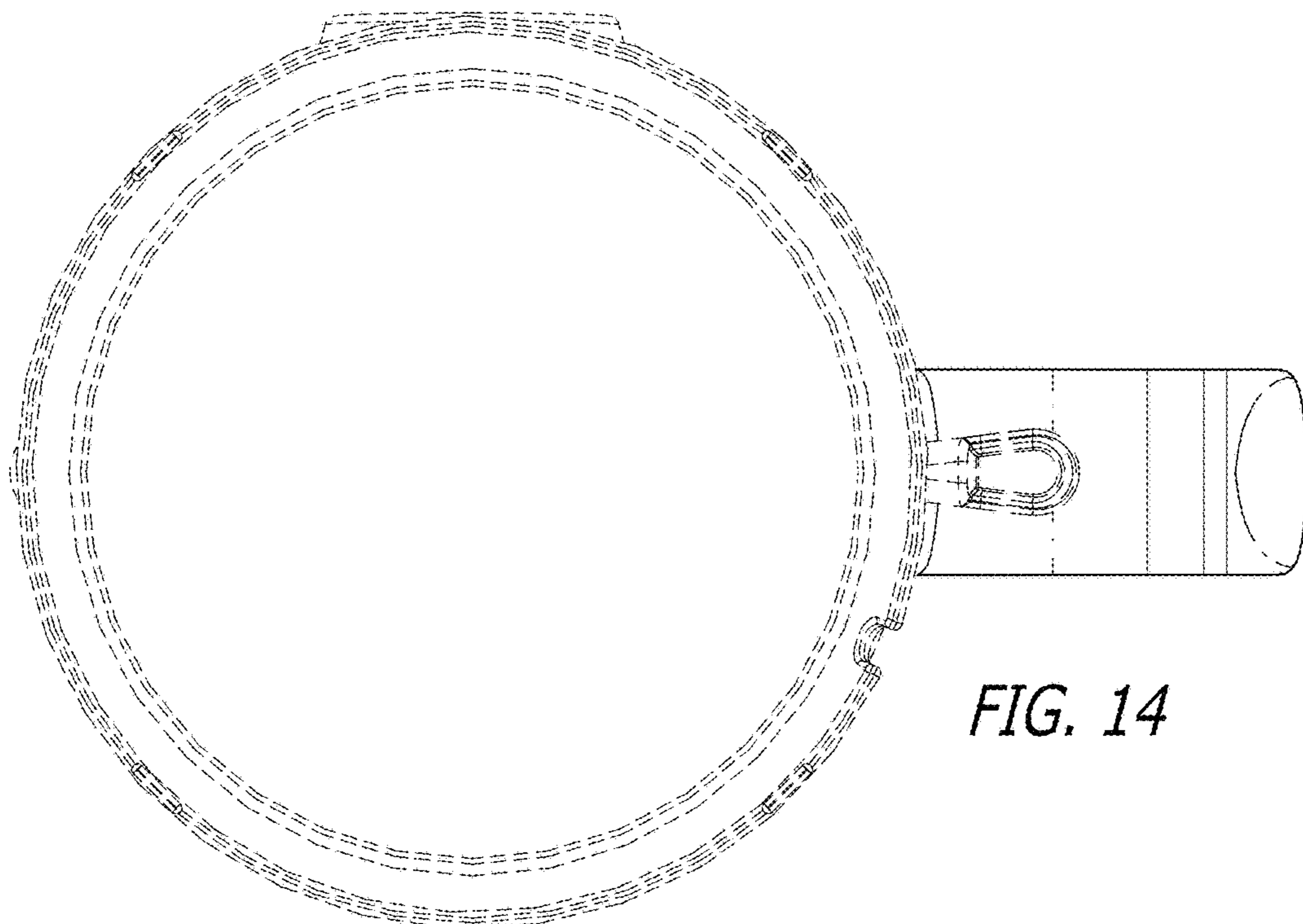
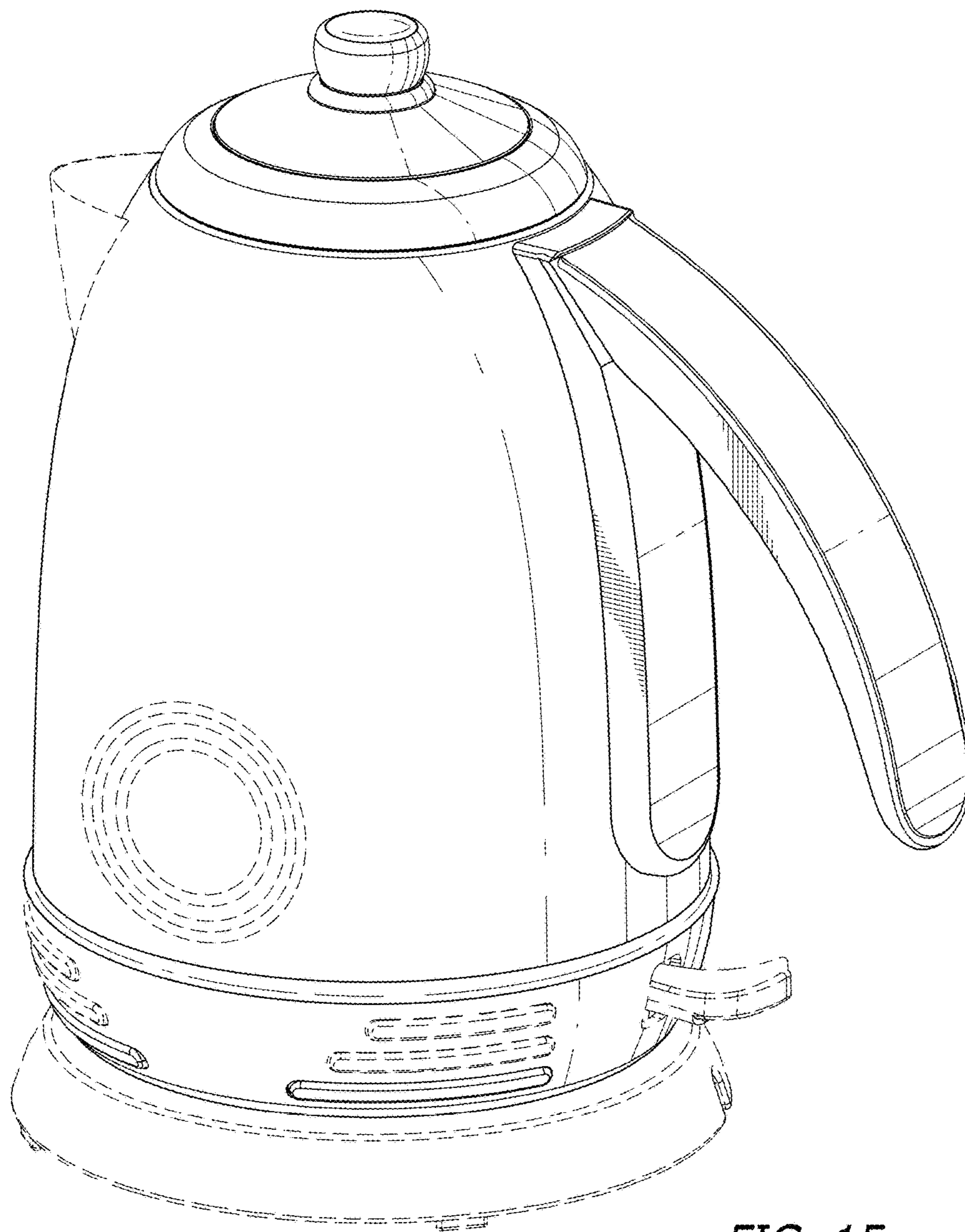


FIG. 14



*FIG. 15*

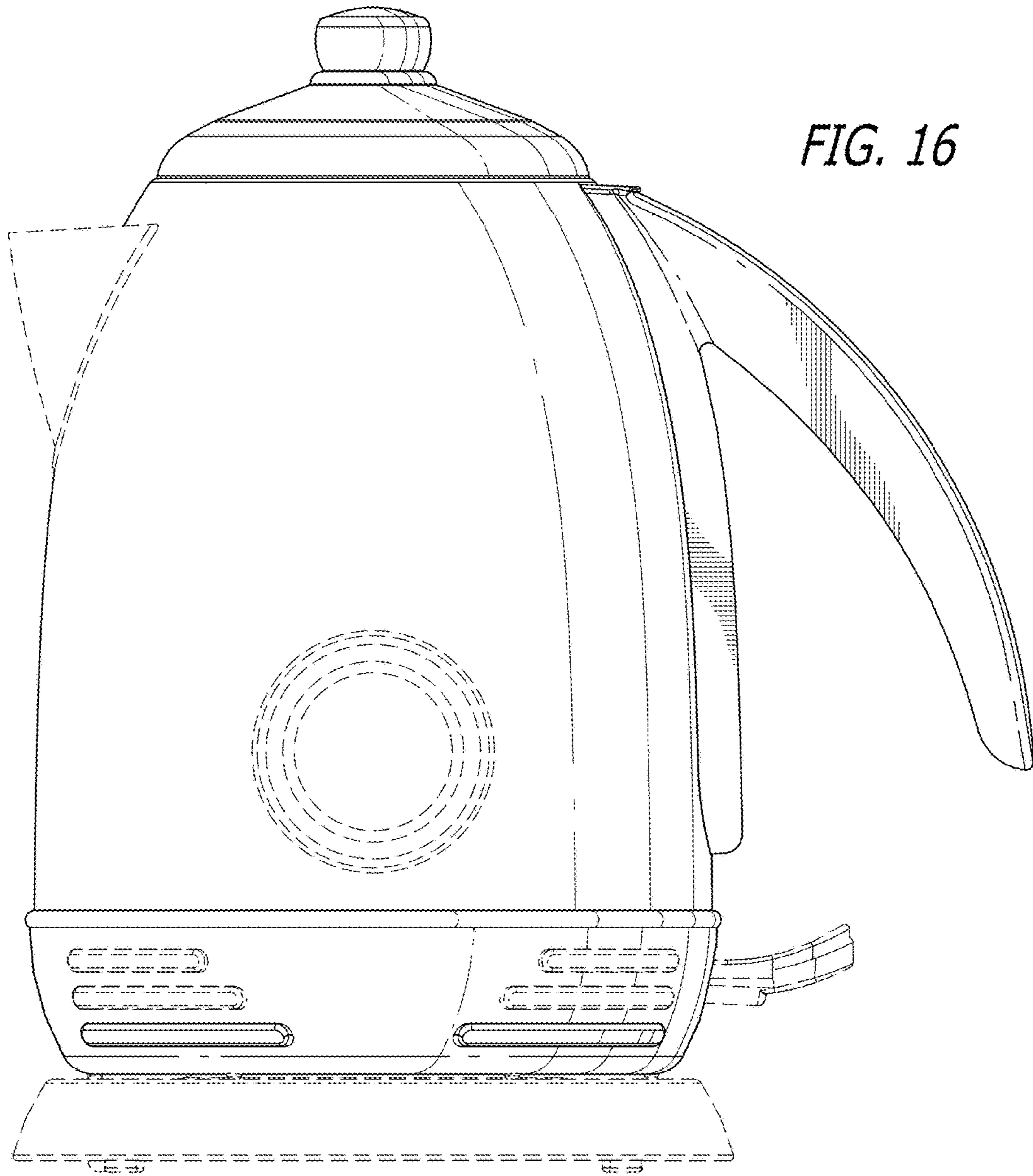
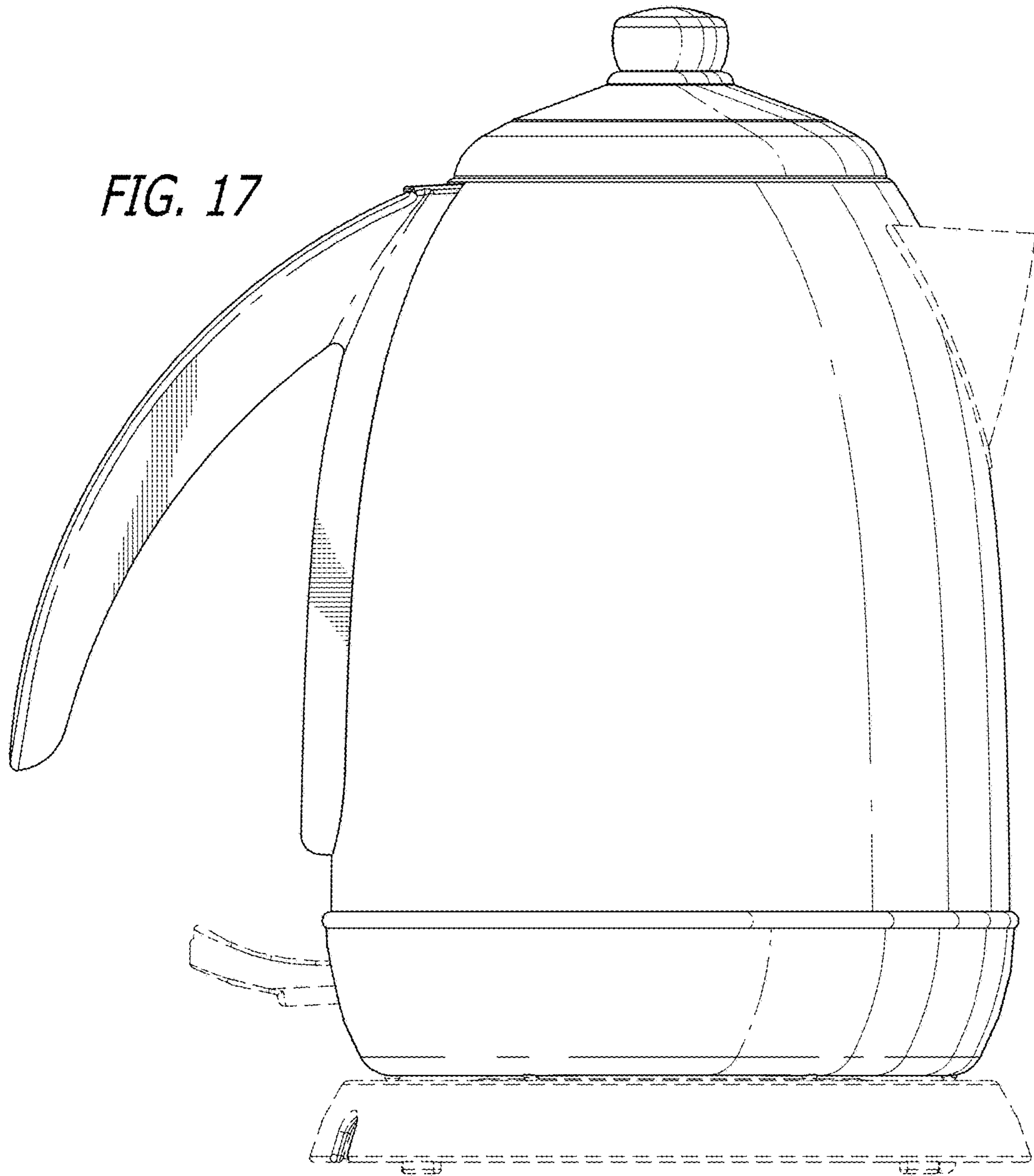
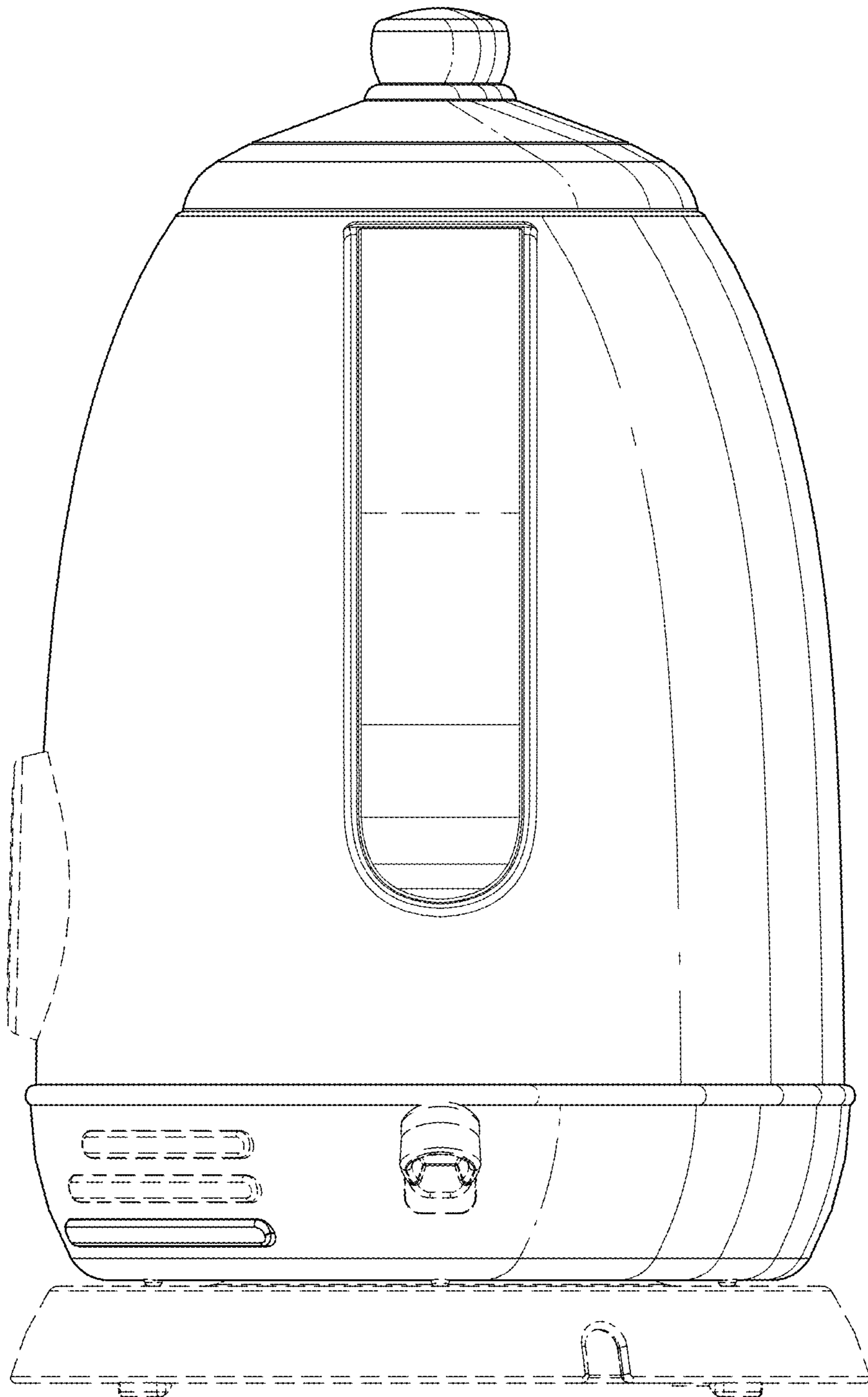


FIG. 16

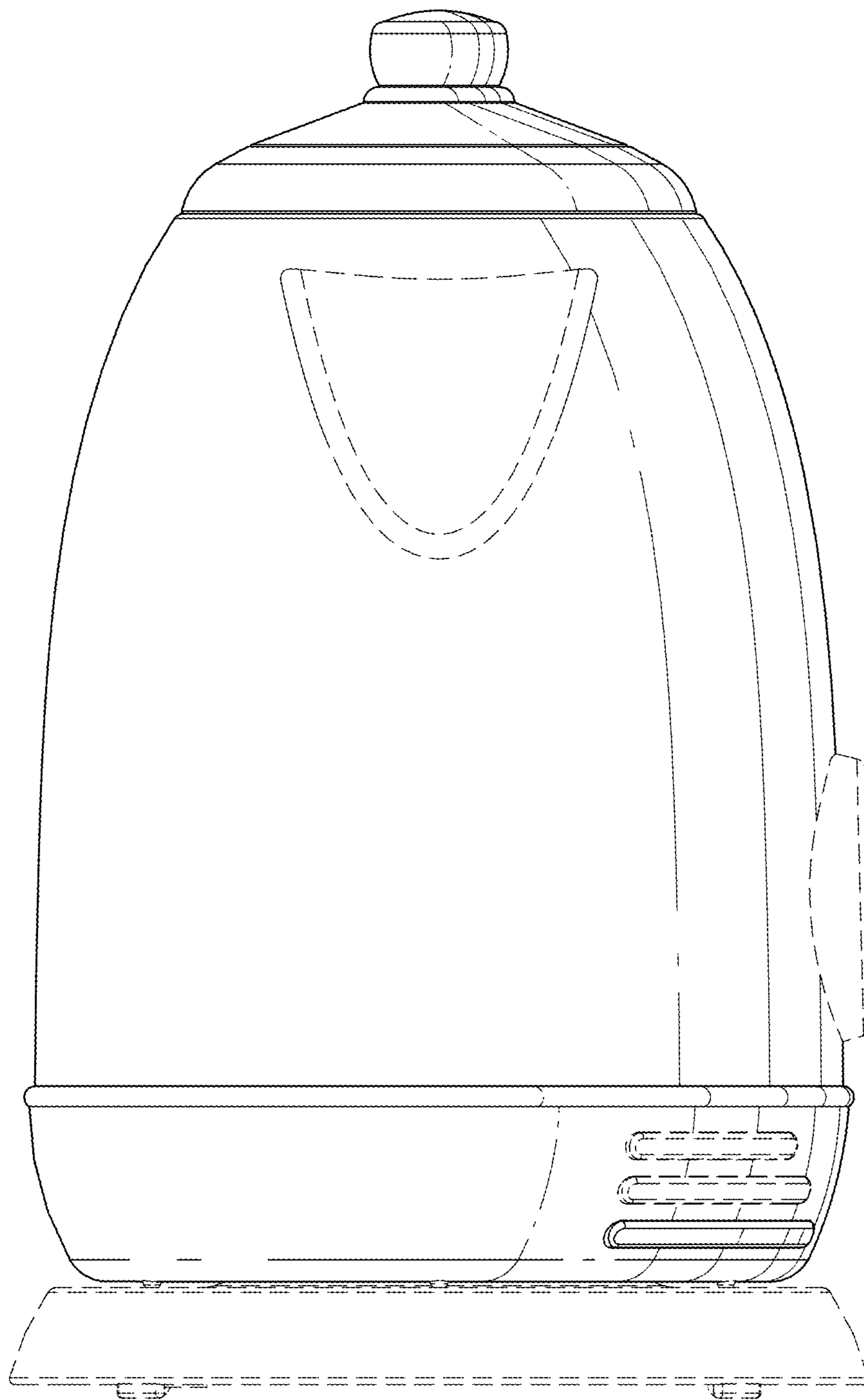


*FIG. 17*





*FIG. 18*



*FIG. 19*

