



US00D784062S

(12) **United States Design Patent**
Juarbe

(10) **Patent No.:** **US D784,062 S**

(45) **Date of Patent:** **** Apr. 18, 2017**

(54) **DRINKING STRAW**

(71) Applicant: **Israel Juarbe**, Bronx, NY (US)

(72) Inventor: **Israel Juarbe**, Bronx, NY (US)

(**) Term: **15 Years**

(21) Appl. No.: **29/545,868**

(22) Filed: **Nov. 17, 2015**

(51) **LOC (10) Cl.** **07-06**

(52) **U.S. Cl.**
USPC **D7/300.2**

(58) **Field of Classification Search**
USPC D7/300.2, 301, 305, 376, 688, 689;
D9/436, 716; D24/108, 110, 112;
215/388, 389; 239/16, 17, 21, 24, 33;
604/35; 433/91, 96

CPC A47G 21/186
See application file for complete search history.

(56) **References Cited**

U.S. PATENT DOCUMENTS

D243,817 S *	3/1977	Cloyd	D7/300.2
D290,213 S *	6/1987	Imotani	D7/300.2
D291,956 S *	9/1987	Fenner	D7/300.2
4,726,518 A *	2/1988	Martina	A47G 21/182 239/33
D301,104 S *	5/1989	Hammerquist	D7/300.2
5,151,720 A *	9/1992	Kanbar	G02C 7/165 351/46
5,427,315 A *	6/1995	Lipson	A47G 21/182 239/33
D382,759 S *	8/1997	Adaska	D7/300.2
D393,566 S *	4/1998	Buehner	D7/300.2
5,947,595 A *	9/1999	Eurisch	A47J 43/1093 366/129
D699,997 S *	2/2014	van der Lande	D7/300.2
D757,476 S *	5/2016	O'Neill	D7/300.2
2005/0087619 A1 *	4/2005	Nasr	A47G 21/18 239/33

OTHER PUBLICATIONS

“Wholesale 50pcs Straw Labels”. Found online Jul. 22, 2016 at aliexpress.com. Page dated Jan. 19, 2015. Retrieved from <http://web.archive.org/web/20150119030054/http://www.aliexpress.com/item/Wholesale-50pcs-Funny-Wedding-Birthday-Party-Decoration-Straw-Labels-Mixed-Color-Paper-Tag-Stickers-For-Food/2052055404.html>.*

“Self Adjusting Straw Holder”. Found online Jul. 19, 2016 at arthritissupplies.com. Page dated Mar. 20, 2012. Retrieved from <https://web.archive.org/web/20120320044844/http://www.arthritis-supplies.com/self-adjusting-straw-holder.html>.*

“Philly in Love: Wedding Drink Stirrers”. Found online Jul. 25, 2016 at phillyinlove.com. Page dated Oct. 27, 2014. Retrieved from <http://www.phillyinlove.com/wedding-inspiration-drink-stirrers/>.*

“10pcs Rotating Sternum Tube Clip Holder for Drinking Straw”. Found online Jul. 22, 2016 at dhgate.com. Page dated Jan. 21, 2015. Retrieved from <http://www.dhgate.com/product/10pcs-plastic-buckle-rotating-sternum-strap/172118262.html>.*

* cited by examiner

Primary Examiner — Robert M Spear

Assistant Examiner — Kendra L Hamilton

(74) *Attorney, Agent, or Firm* — Lawrence G. Fridman, Esq.; Feigin & Fridman, LLC

(57) **CLAIM**

The ornamental design for a drinking straw, as shown and described.

DESCRIPTION

FIG. 1 is a top-front perspective view of a drinking straw showing my new design;

FIG. 2 is a front elevational view thereof;

FIG. 3 is a rear elevational view thereof;

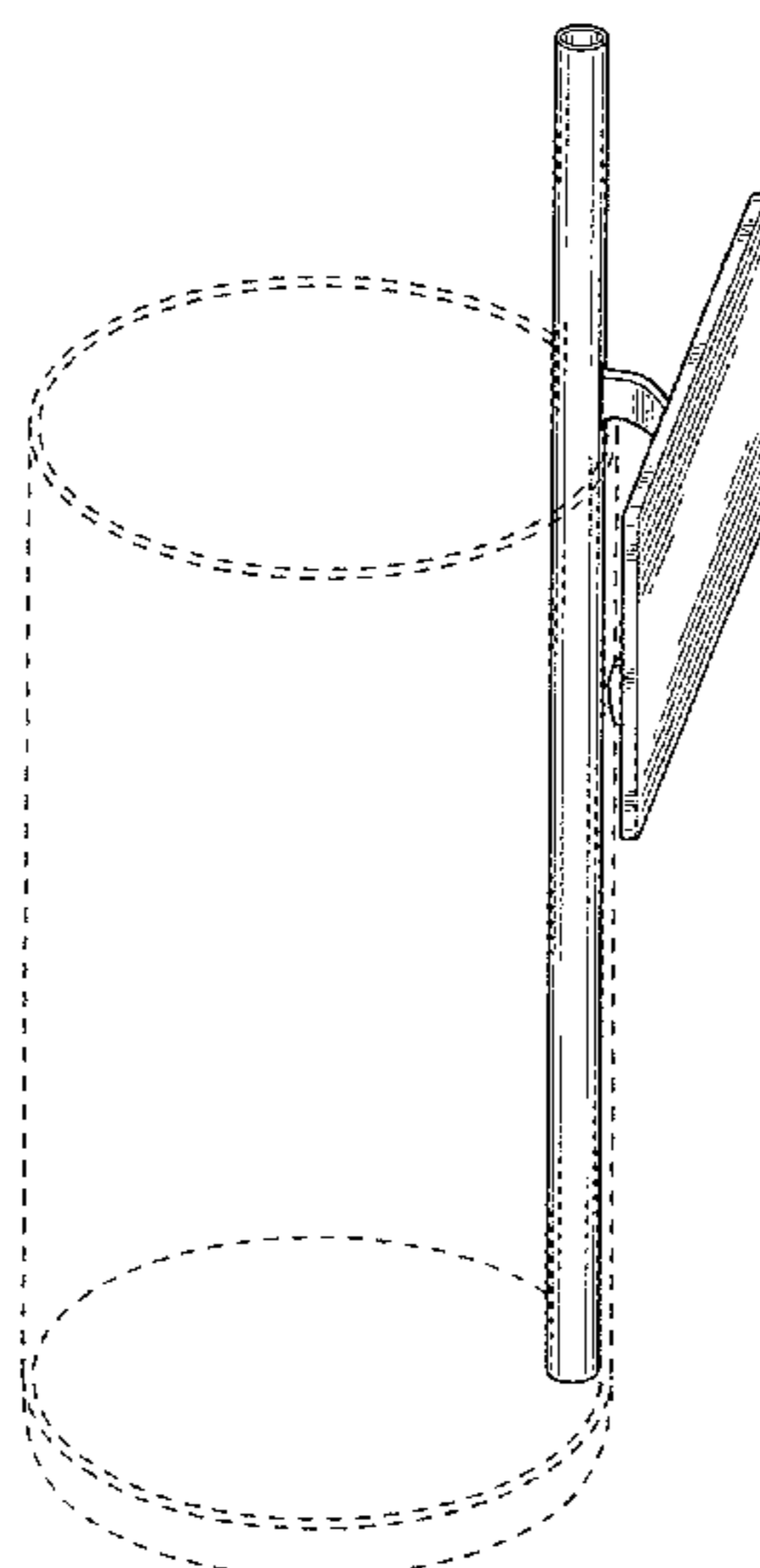
FIG. 4 is a right side elevational view thereof;

FIG. 5 is a top plan view thereof;

FIG. 6 is a bottom plan view thereof; and,

FIG. 7 is a bottom-rear perspective view thereof.

1 Claim, 3 Drawing Sheets



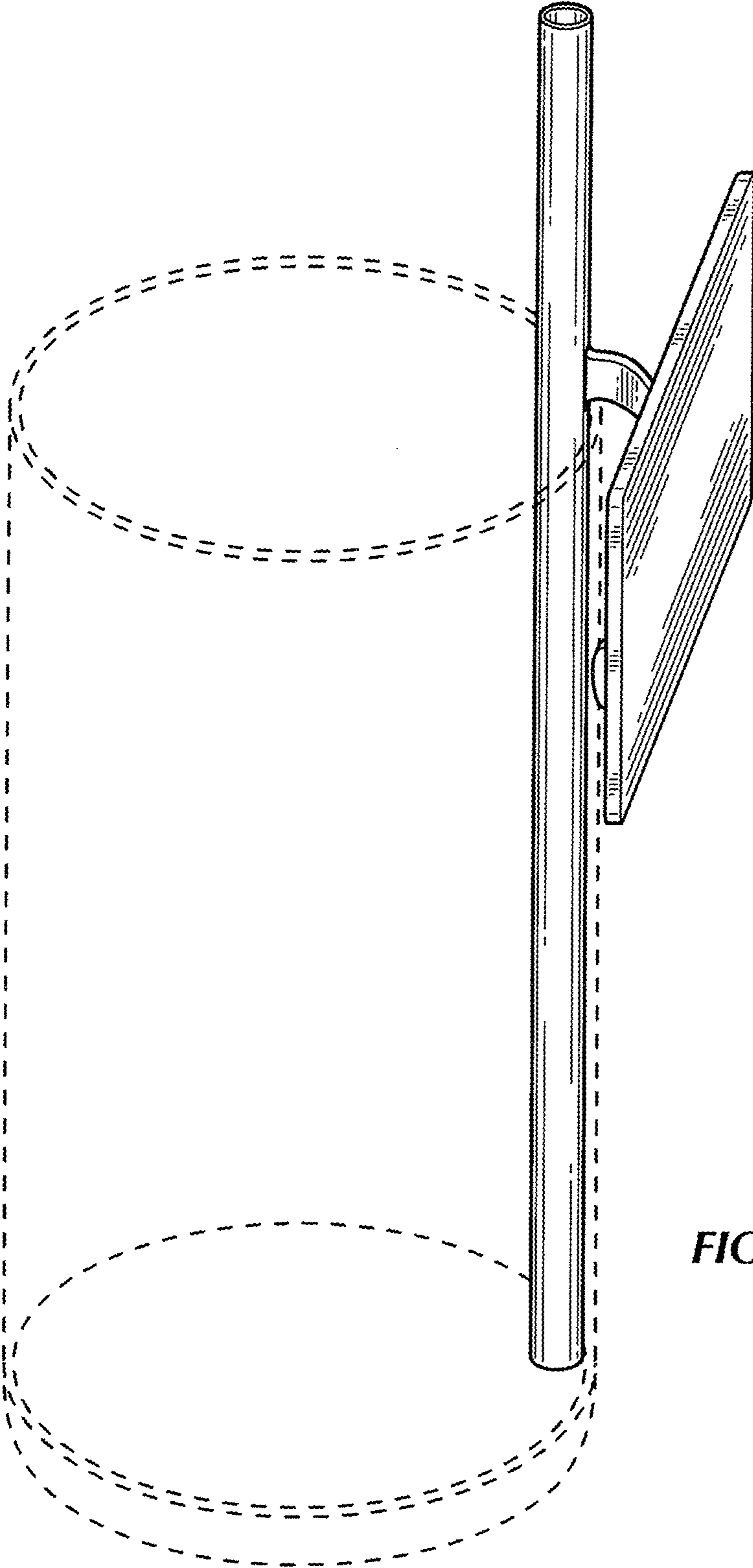


FIG. 1

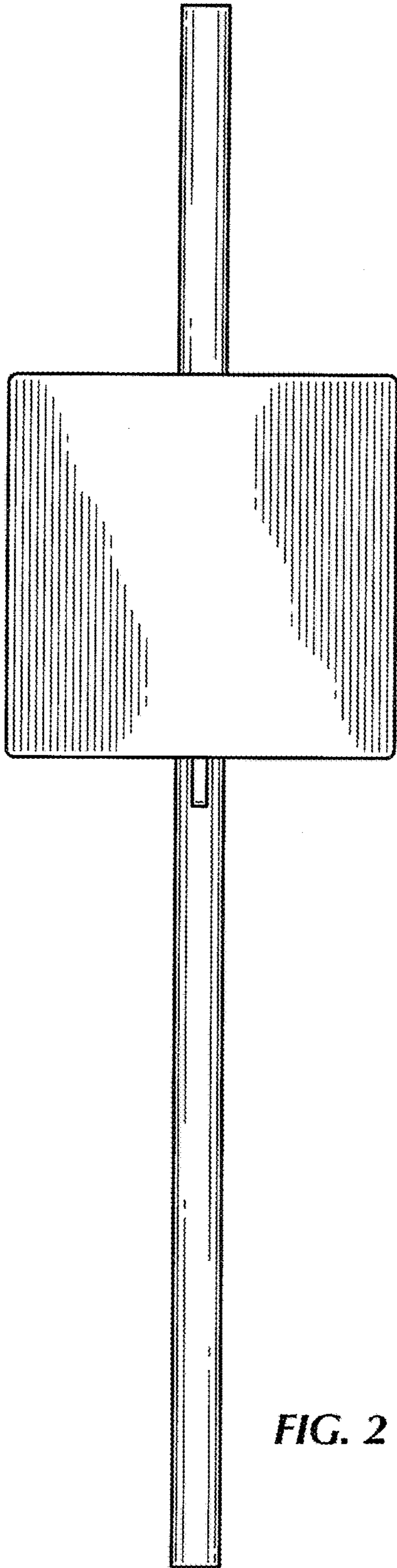


FIG. 2

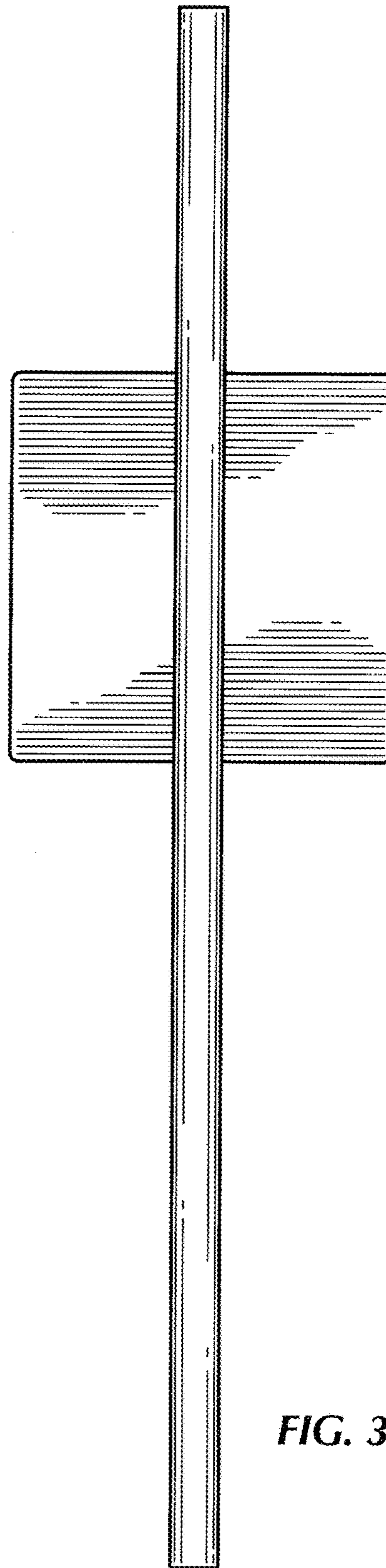


FIG. 3

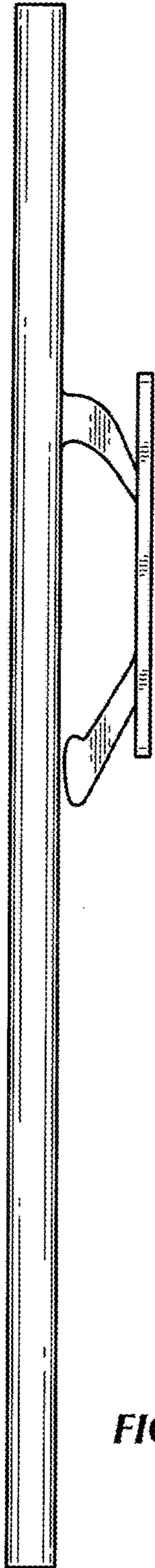


FIG. 4

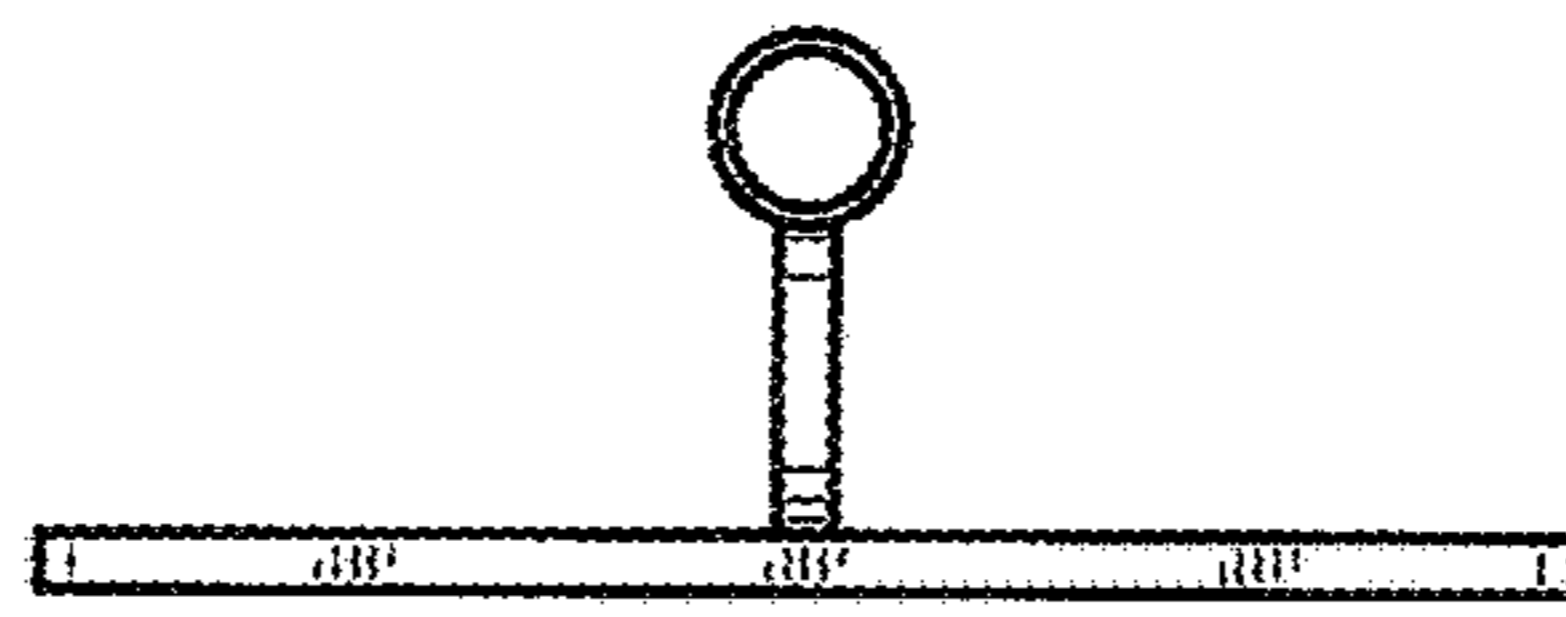


FIG. 5

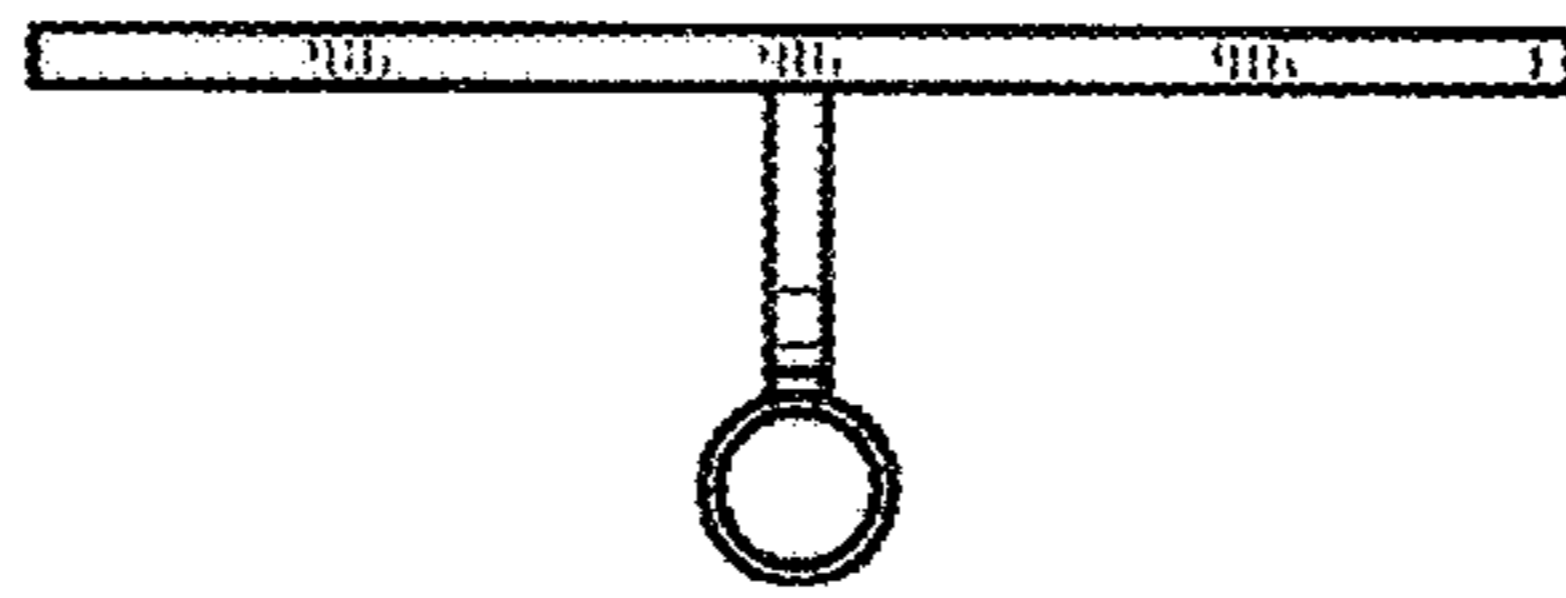


FIG. 6

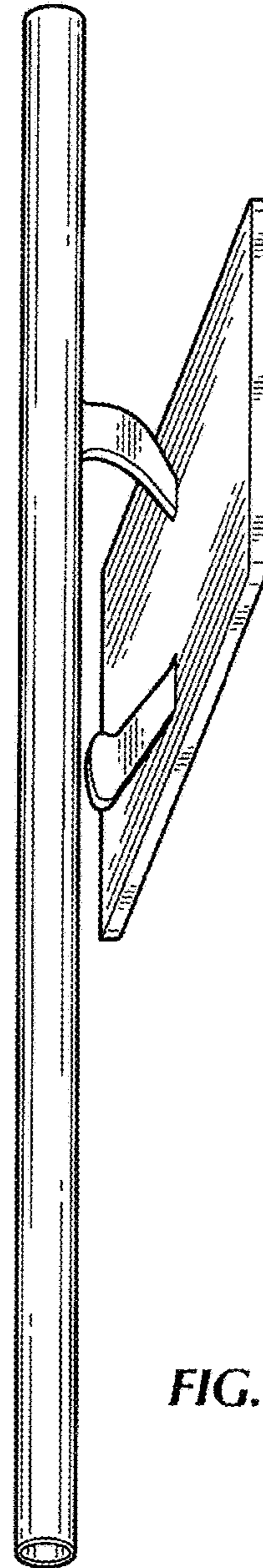


FIG. 7