



US00D784061S

(12) **United States Design Patent** (10) **Patent No.:** **US D784,061 S**  
**Kawai** (45) **Date of Patent:** **\*\* Apr. 18, 2017**

(54) **STADIUM SEAT**  
(71) Applicant: **DIC Corporation**, Tokyo (JP)  
(72) Inventor: **Toru Kawai**, Sendai (JP)  
(73) Assignee: **DIC CORPORATION**, Tokyo (JP)  
(\*\*) Term: **14 Years**  
(21) Appl. No.: **29/520,352**  
(22) Filed: **Mar. 13, 2015**  
(30) **Foreign Application Priority Data**

Sep. 18, 2014 (JP) ..... D2014-020603  
(51) **LOC (10) Cl.** ..... **06-04**  
(52) **U.S. Cl.**  
USPC ..... **D6/716.4**  
(58) **Field of Classification Search**  
USPC ..... D6/334-6, 362, 369, 371-6, 379, 380,  
D6/716, 716.1-716.4; 297/134  
CPC ..... A47C 1/12; A47C 1/121; A47C 1/124;  
A47C 1/16; A47C 3/16; A47C 7/56;  
B60N 2/02  
See application file for complete search history.

(56) **References Cited**  
U.S. PATENT DOCUMENTS  
646,095 A \* 3/1900 Murphy ..... B62C 11/00  
24/667  
172,218 A 5/1954 Burst  
D172,218 S \* 5/1954 Burst ..... D6/374  
D272,587 S \* 2/1984 Pamberg ..... D6/380  
4,871,209 A \* 10/1989 Handelman ..... A47C 3/16  
297/378.1  
427,820 A 7/2000 Chen  
D427,820 S \* 7/2000 Chen ..... D6/716  
450,944 A1 11/2001 Shepard et al.  
D450,944 S \* 11/2001 Shepard ..... D6/369  
D488,632 S \* 4/2004 Muller ..... D6/380

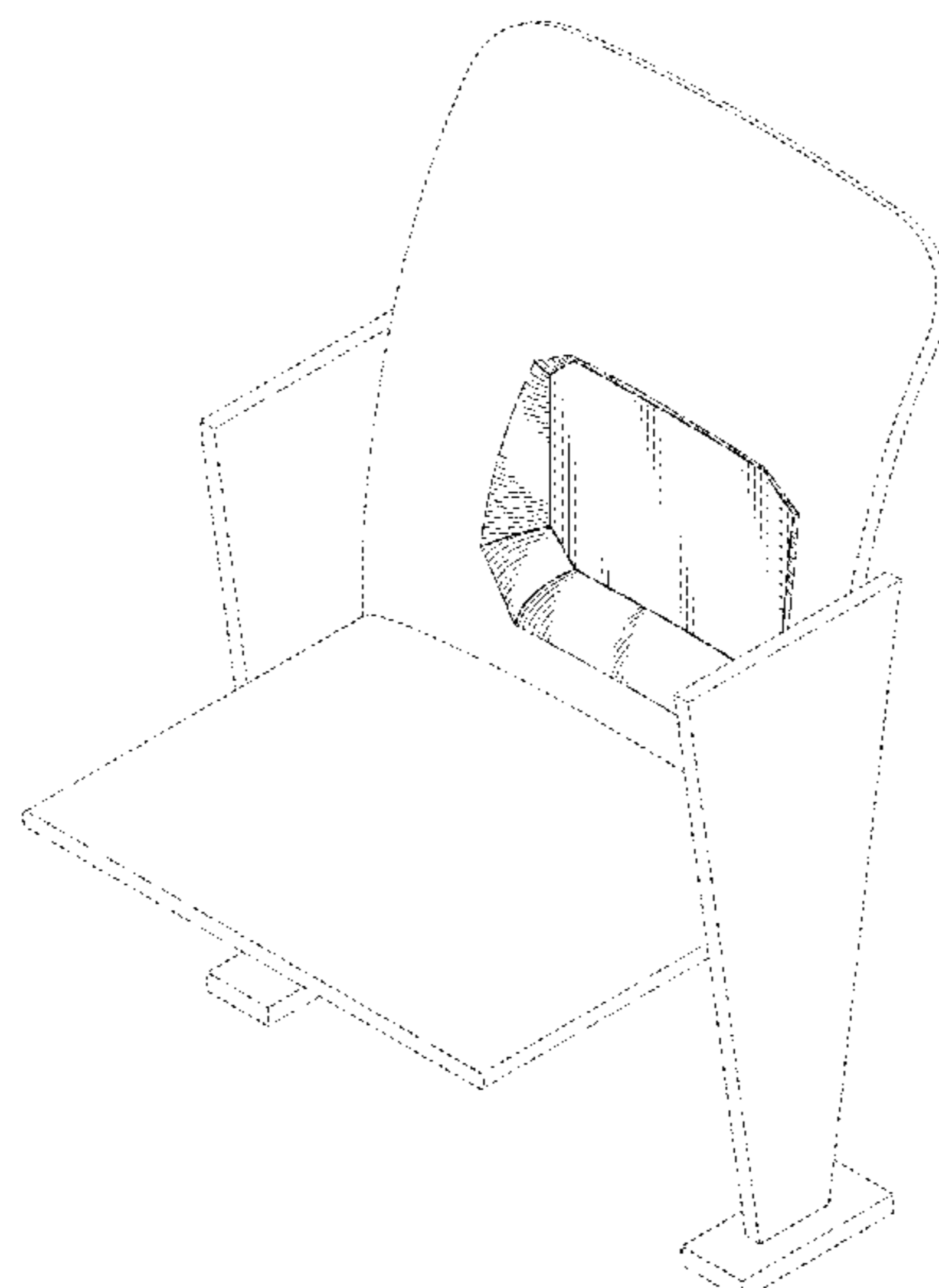
D489,193 S \* 5/2004 Muller ..... D6/380  
D540,096 S \* 4/2007 Fuksas ..... D6/601  
583,597 A1 12/2008 Egger  
604,968 A1 12/2009 True  
(Continued)

OTHER PUBLICATIONS  
Notice of Allowance and Fee(s) Due for U.S. Appl. No. 29/520,357,  
mailed Jun. 19, 2015.  
*Primary Examiner* — Eric Goodman  
*Assistant Examiner* — Fitzgerald Butac  
(74) *Attorney, Agent, or Firm* — Jeremy Jay

(57) **CLAIM**  
The ornamental design for a stadium seat, as shown and  
described.

**DESCRIPTION**  
FIG. 1 is a front view of a stadium seat of the present  
invention.  
FIG. 2 is a rear view of the stadium seat of FIG. 1.  
FIG. 3 is a top plan view of the stadium seat of FIG. 1.  
FIG. 4 is a bottom view of the stadium seat of FIG. 1.  
FIG. 5 is a right side view of the stadium seat of FIG. 1.  
FIG. 6 is a left side view of the stadium seat of FIG. 1.  
FIG. 7 is a front perspective view of the stadium seat of FIG.  
1.  
FIG. 8 is an enlarged sectional view in the direction indi-  
cated by the arrows 8-8 of the stadium seat of FIG. 1; and,  
FIG. 9 is an enlarged sectional view of the 9'-9' portion in the  
direction indicated by the arrows 9-9 of the stadium seat of  
FIG. 3.  
The features shown in dotted lines depict environmental  
subject matter only and form no part of the claimed design.  
The broken lines having alternating long and short segments  
define bounds of the claimed design and form no part  
thereof.

**1 Claim, 9 Drawing Sheets**



(56)

**References Cited**

U.S. PATENT DOCUMENTS

7,914,078	B2	3/2011	Hentges	
D646,095	S *	10/2011	Langbord .....	D6/716.4
D646,096	S *	10/2011	Langbord .....	D6/716.4
D646,097	S *	10/2011	Langbord .....	D6/716.4
D654,282	S *	2/2012	Lucci .....	D6/374
D676,690	S *	2/2013	Pheasant .....	D6/716.4
8,804,093	B2 *	8/2014	Haight .....	A47C 1/12 297/217.4
D737,088	S *	8/2015	Kawai .....	D6/716.4

\* cited by examiner

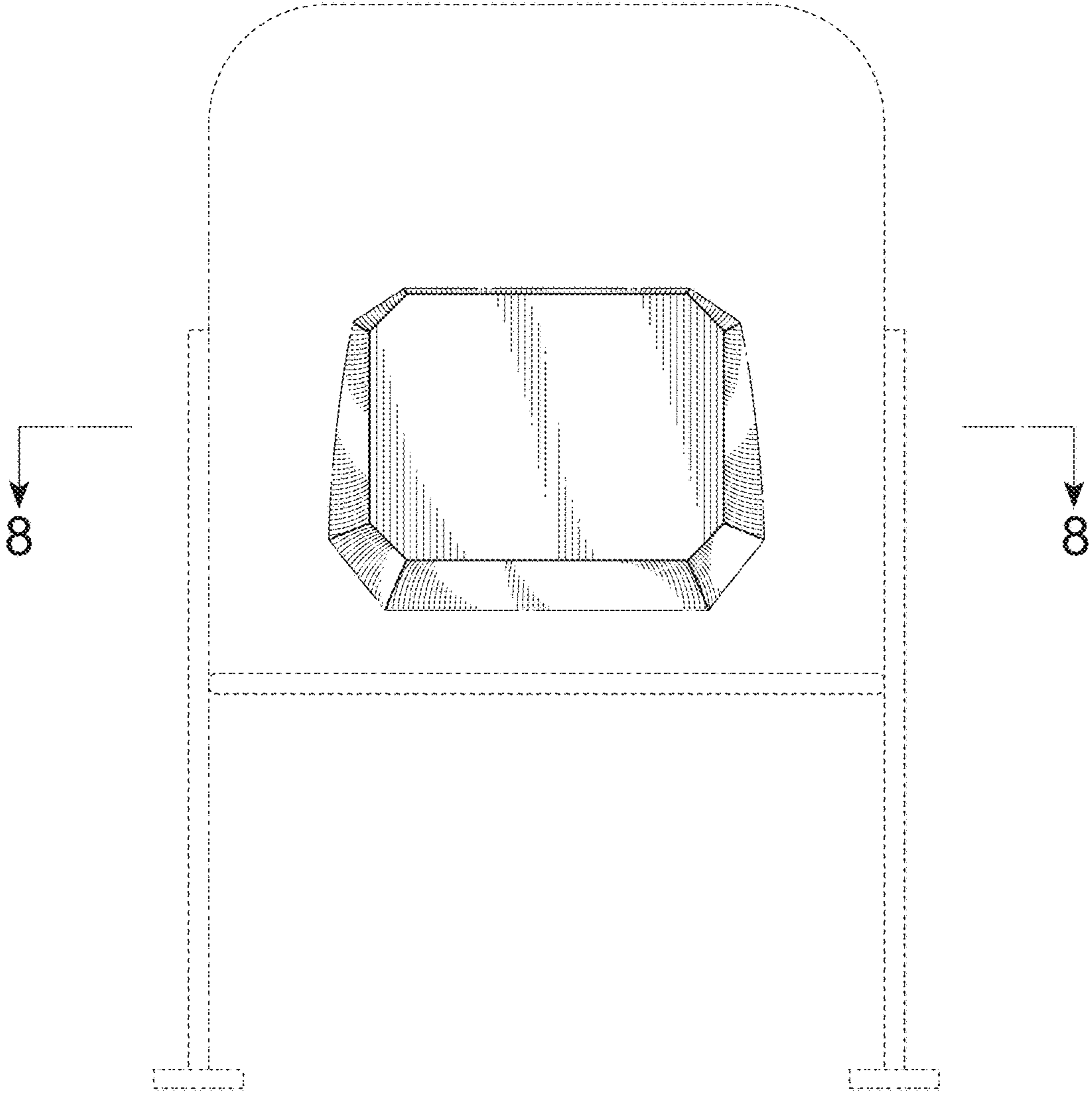


Fig. 1

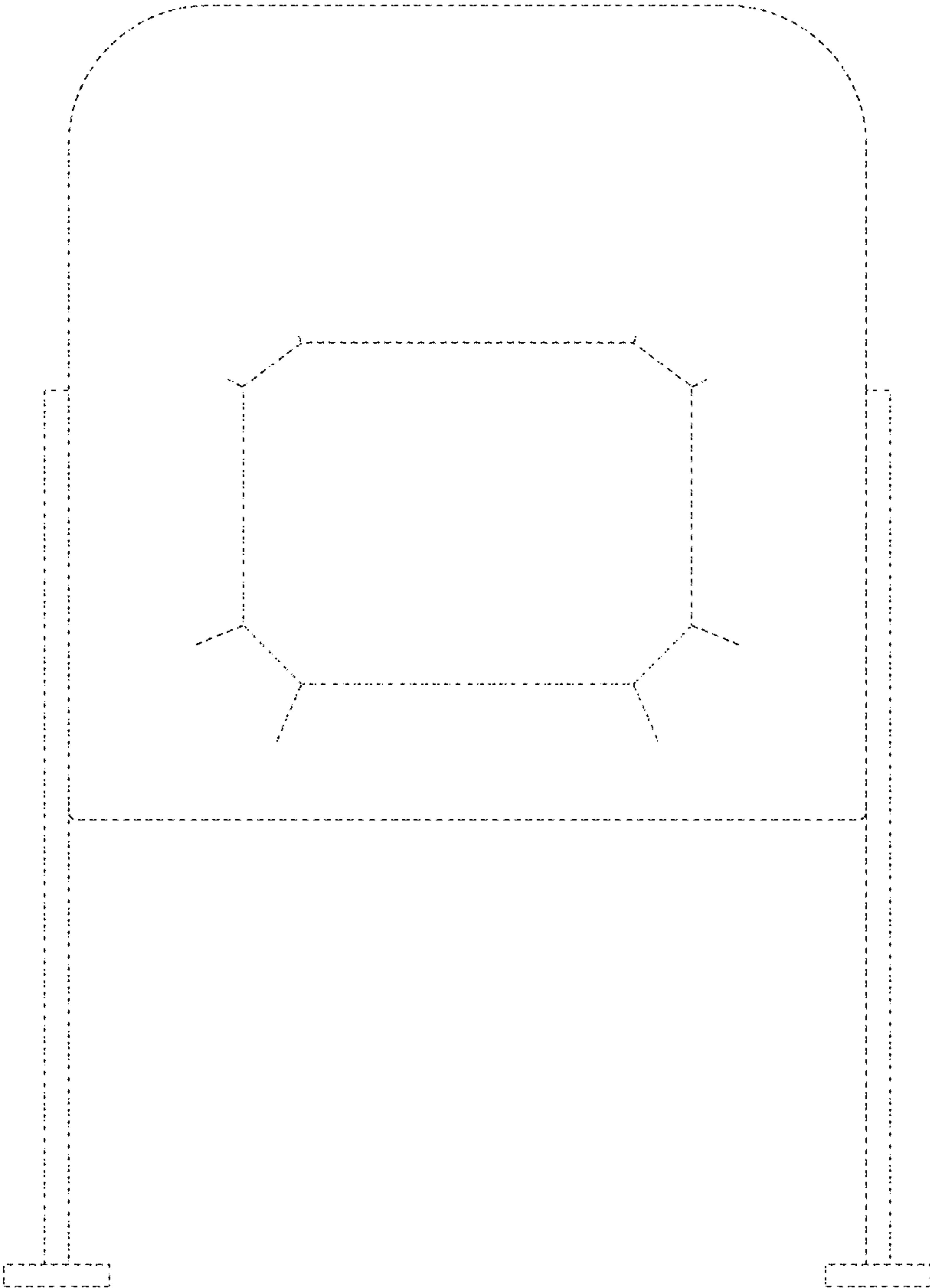


Fig.2

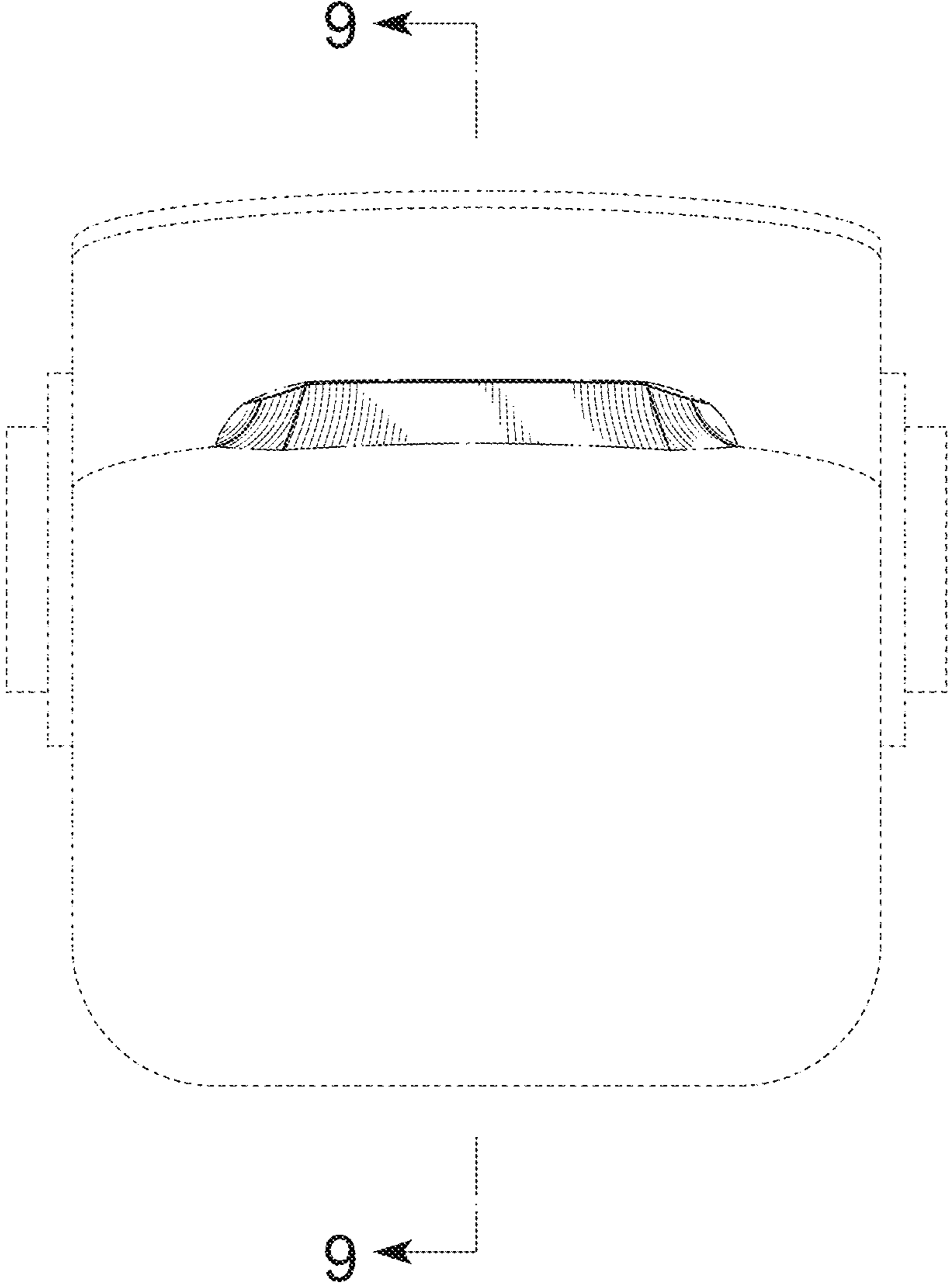


Fig.3

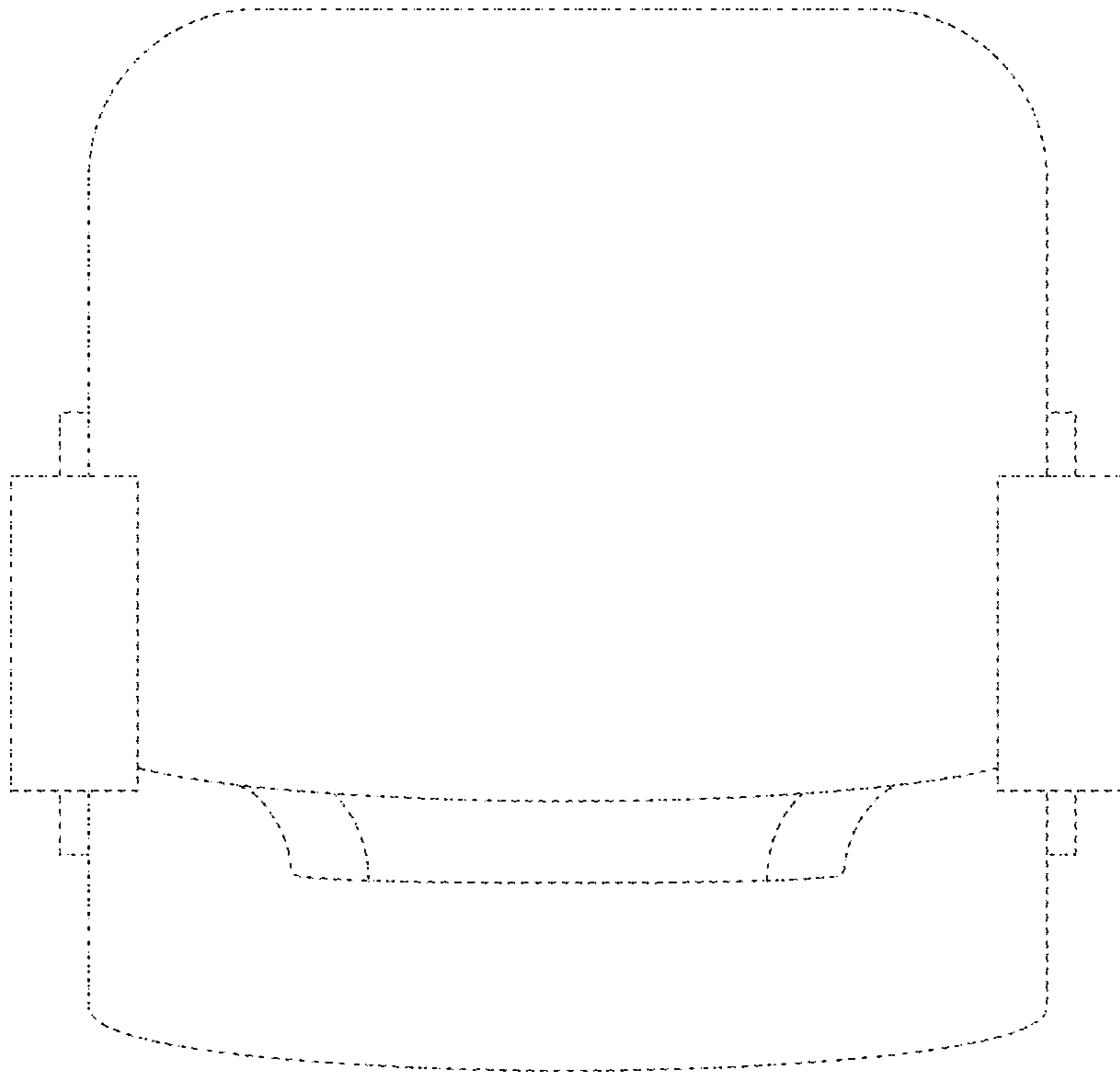


Fig.4

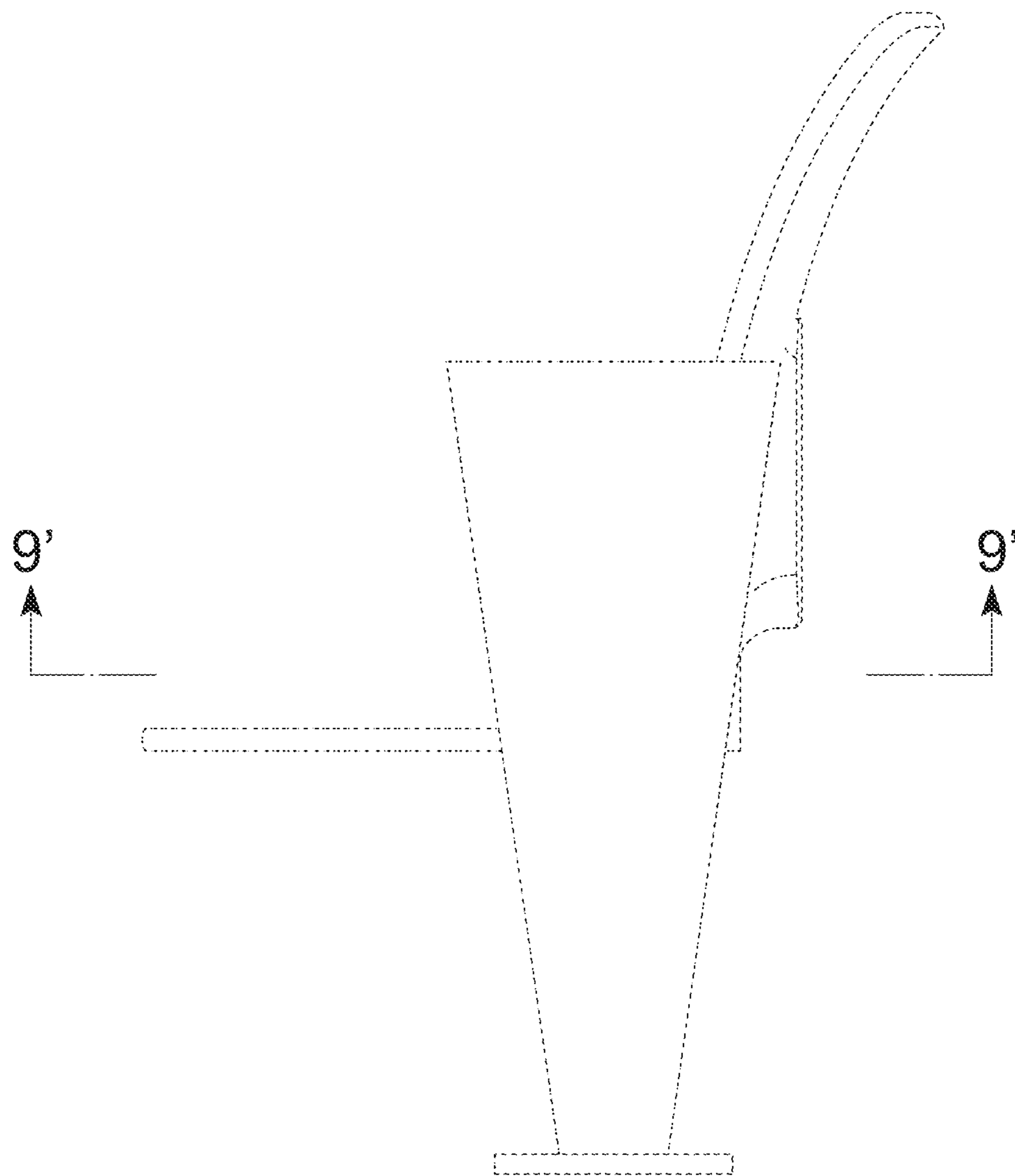


Fig.5

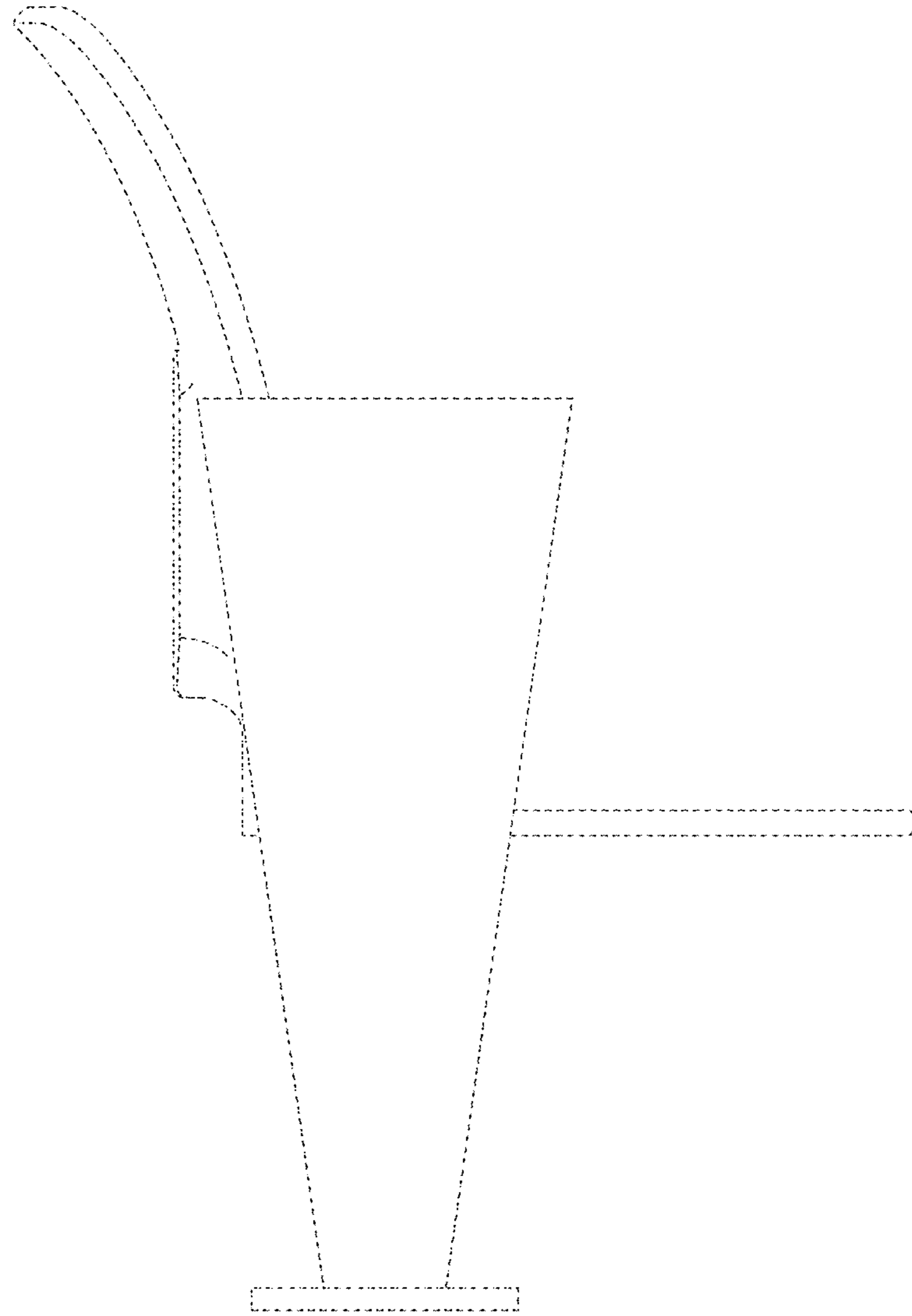


Fig.6



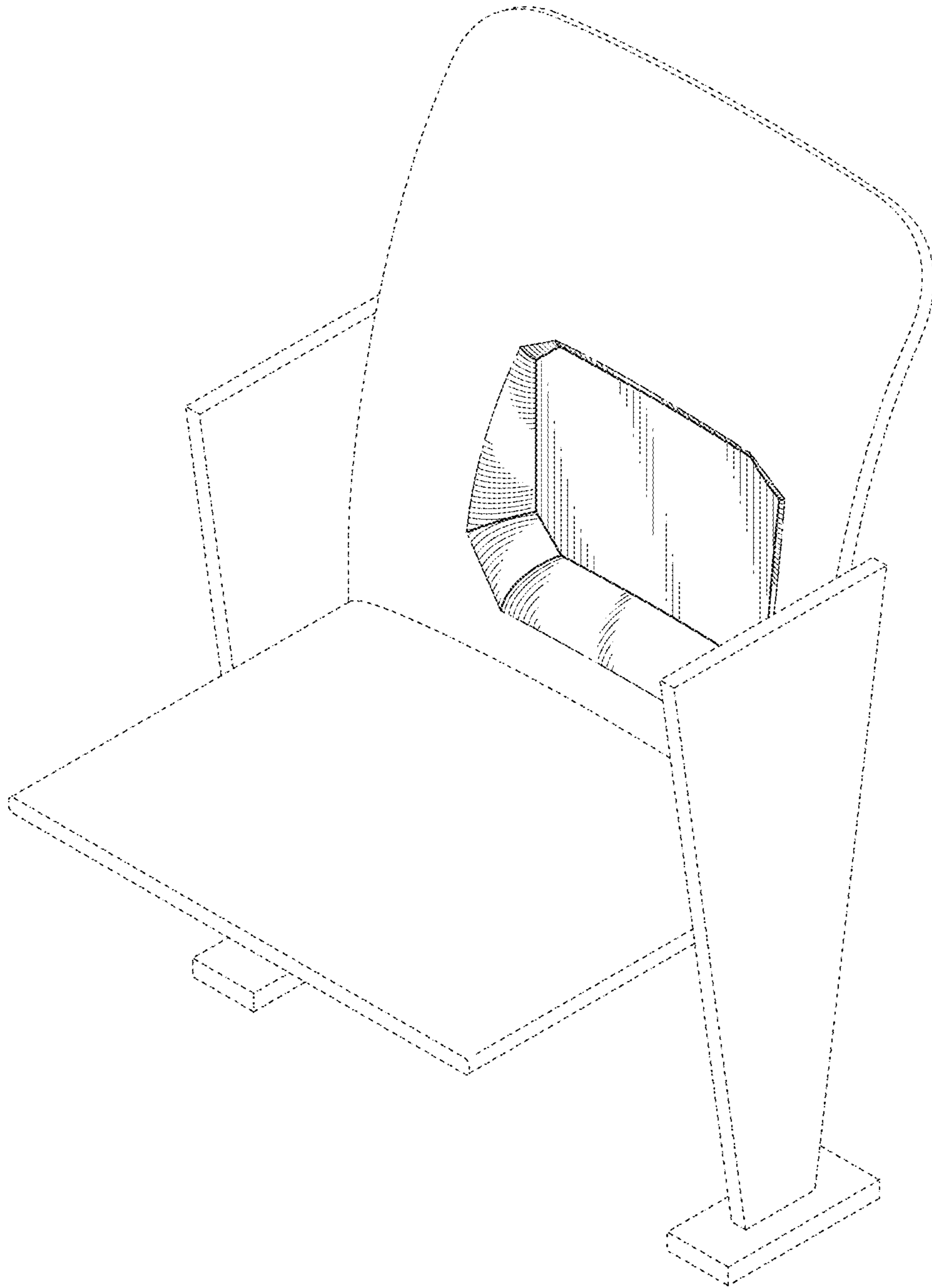


Fig.7

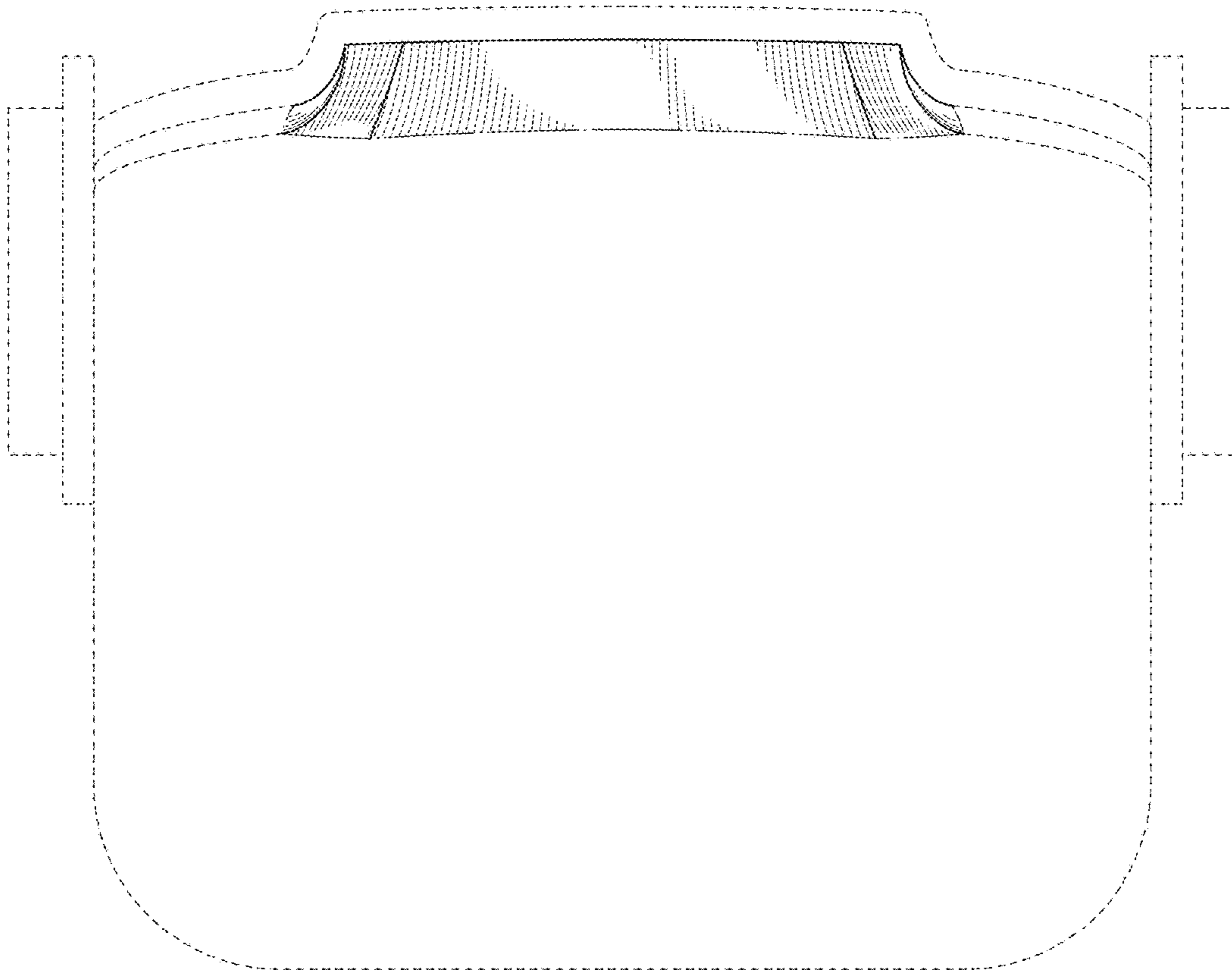


Fig.8

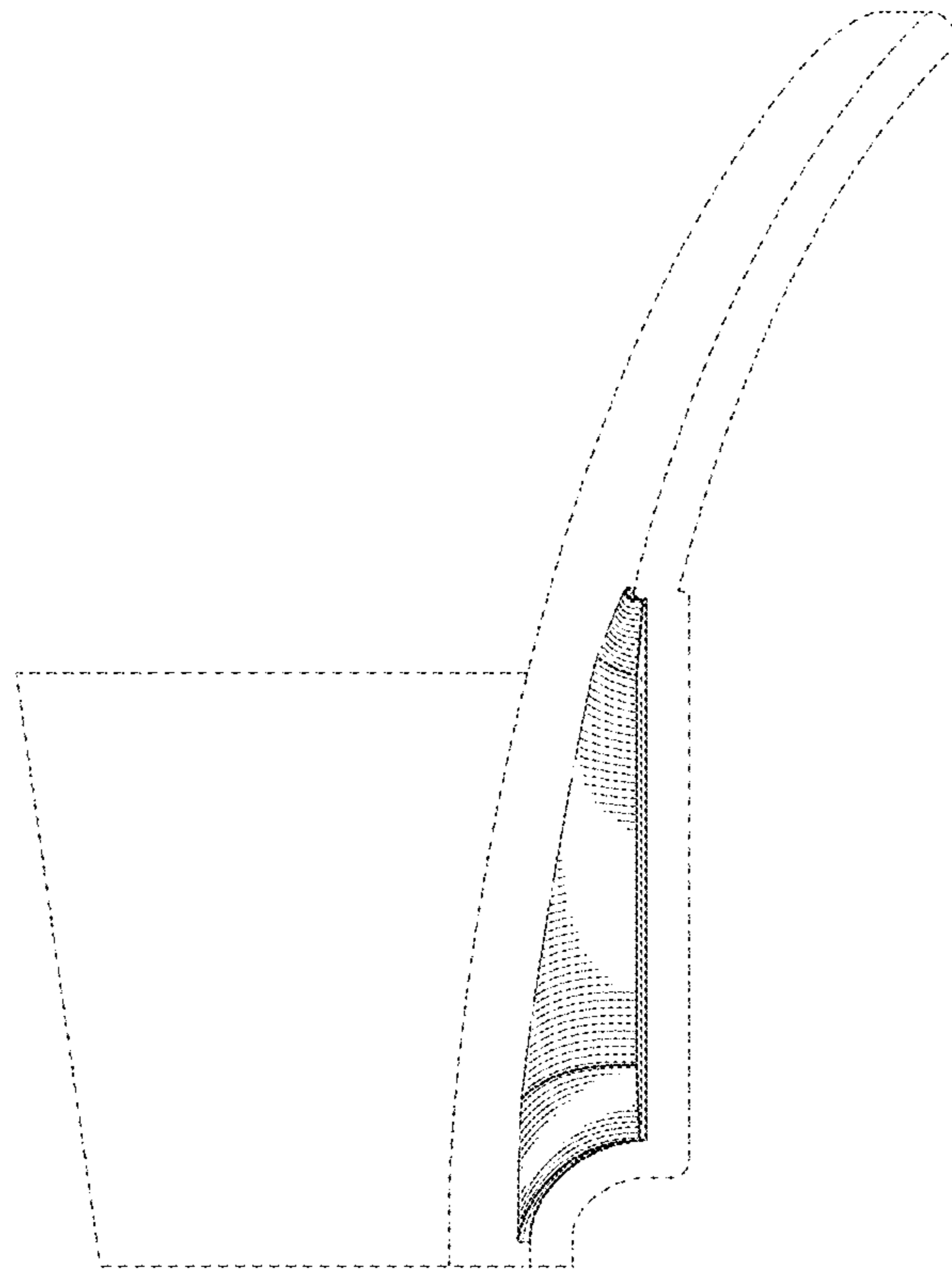


Fig.9