

US00D784060S

(12) **United States Design Patent** (10) **Patent No.:** **US D784,060 S**
Davidsen (45) **Date of Patent:** **** Apr. 18, 2017**

(54) **TABLE LEG TUBE**

(71) Applicant: **DewertOkin GmbH**, Kirchlengern (DE)

(72) Inventor: **Rene Davidsen**, Morud (DK)

(73) Assignee: **DewertOkin GmbH**, Kirchlengern (DE)

(**) Term: **15 Years**

(21) Appl. No.: **29/533,200**

(22) Filed: **Jul. 15, 2015**

(30) **Foreign Application Priority Data**

Jan. 16, 2015 (EM) 002615286-0001

(51) **LOC (10) Cl.** **06-04**

(52) **U.S. Cl.**
USPC **D6/709**; D6/691; D6/712; D6/702

(58) **Field of Classification Search**
USPC D6/709, 702, 712, 709.21, 708.23;
D8/353; D25/58, 60, 136
CPC A47B 7/00; A47B 13/00; A47B 13/04;
A47B 13/12; A47B 31/00; A47B 31/003;
A47B 2200/00; A47B 91/00; A47B
91/005; A47B 21/00; A47B 21/02; A47B
17/00; A47B 17/003

See application file for complete search history.

(56) **References Cited**

U.S. PATENT DOCUMENTS

D219,877 S * 2/1971 Thompson D23/266
4,365,911 A * 12/1982 Rossberg E01C 11/227
404/2
D295,803 S * 5/1988 Weitzman D6/709

D326,140 S * 5/1992 Dekel D23/267
D386,330 S * 11/1997 Russell D25/122
D589,724 S * 4/2009 Howe D25/126
D616,567 S * 5/2010 Desrosiers D25/122
D718,876 S * 12/2014 Smedberg D25/119
D723,848 S * 3/2015 Mueller D6/709
D744,073 S * 11/2015 Waggoner D23/267
D745,299 S * 12/2015 Chang D25/124
D747,127 S * 1/2016 Chang D25/120
D752,190 S * 3/2016 DeNooy D23/267
D760,522 S * 7/2016 Bonuccelli D25/122
D760,523 S * 7/2016 Bonuccelli D25/122
D760,524 S * 7/2016 Bonuccelli D25/122
2016/0245453 A1 * 8/2016 Piovan F16M 11/048

* cited by examiner

Primary Examiner — Robin V Webster

Assistant Examiner — James Thorn, Sr.

(74) *Attorney, Agent, or Firm* — Panitch Schwarze
Belisario & Nadel LLP

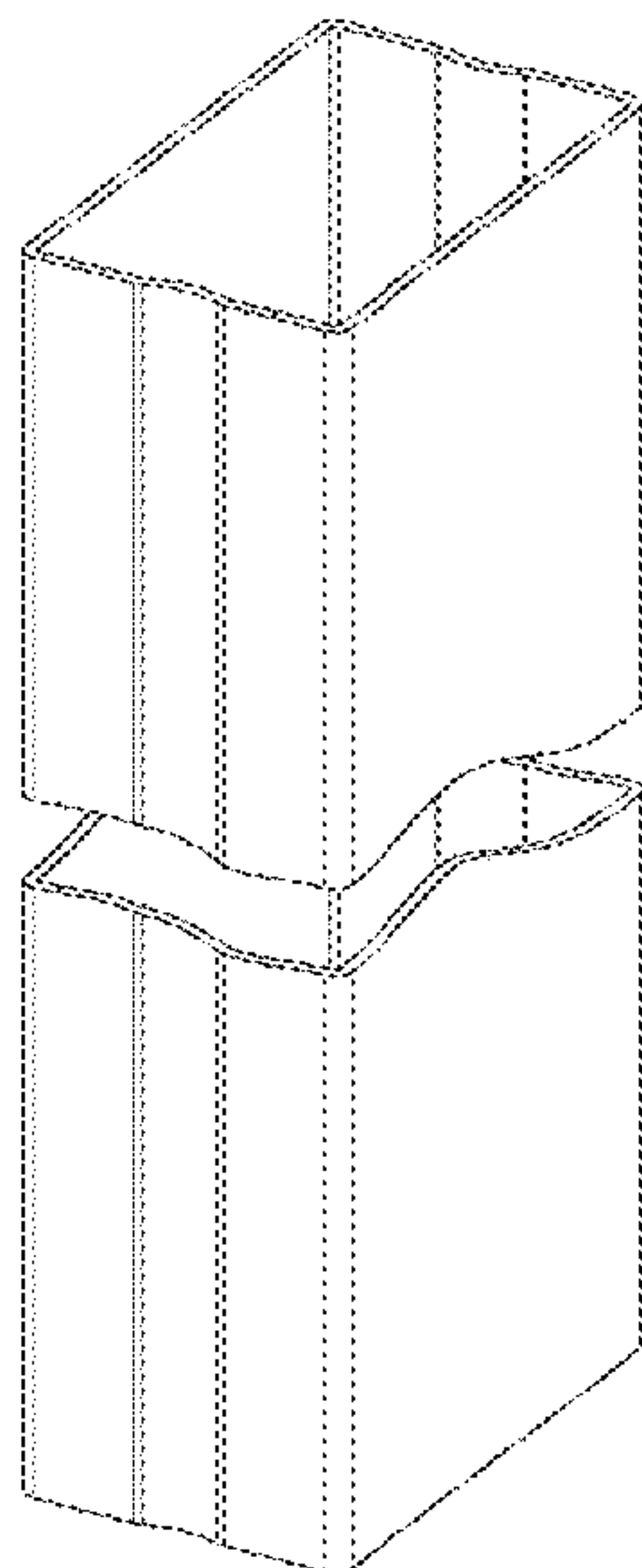
(57) **CLAIM**

The ornamental design for a table leg tube, as shown and described.

DESCRIPTION

FIG. 1 is a front right perspective view of a table leg tube in accordance with my new design;
FIG. 2 is a left front perspective view thereof;
FIG. 3 is a top plan view thereof;
FIG. 4 is a bottom plan view thereof;
FIG. 5 is a left side elevational view thereof, a right side elevational view being a mirror image thereof; and,
FIG. 6 is a front elevational view thereof, a rear elevational view being a mirror image thereof.
The table leg tube is shown with a symbolic break in its length. The appearance of any portion of the article between the break lines forms no part of the claimed design.

1 Claim, 2 Drawing Sheets



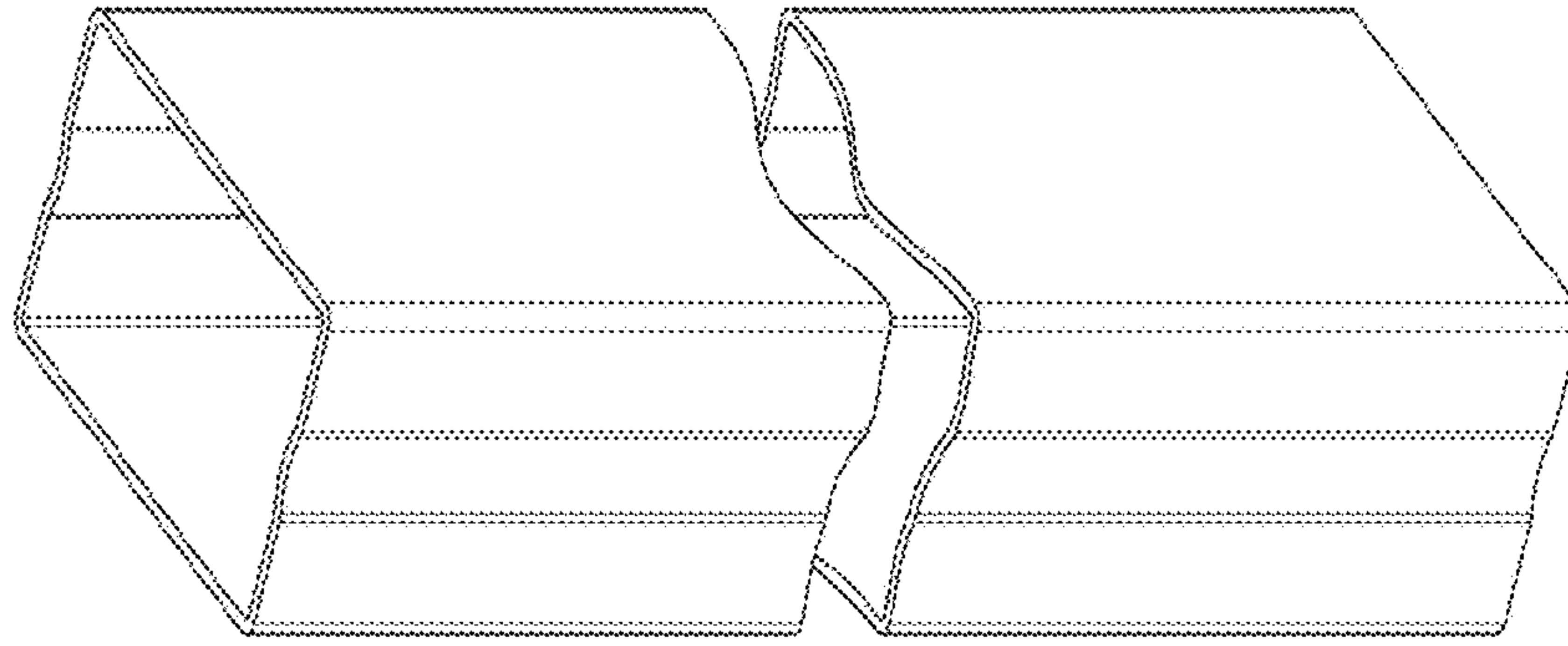


Fig. 2

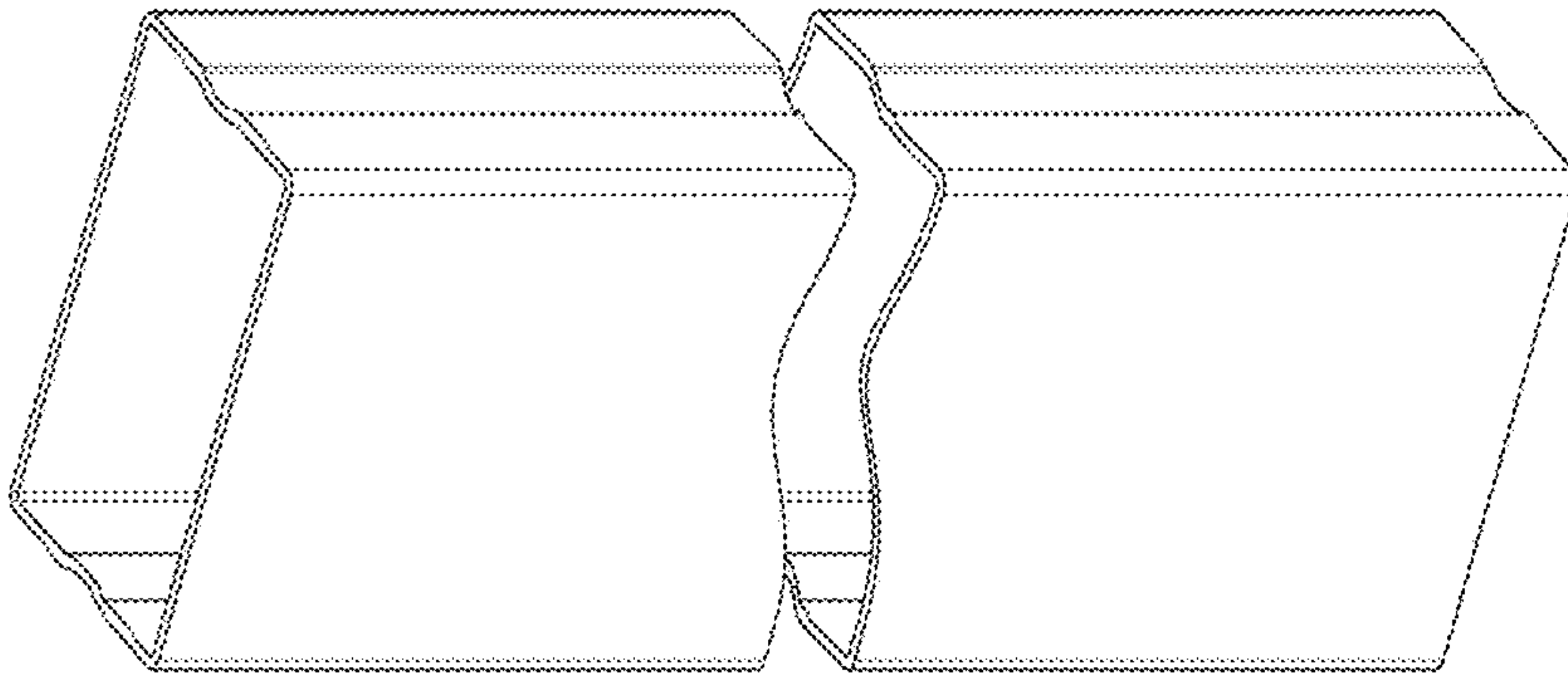


Fig. 1

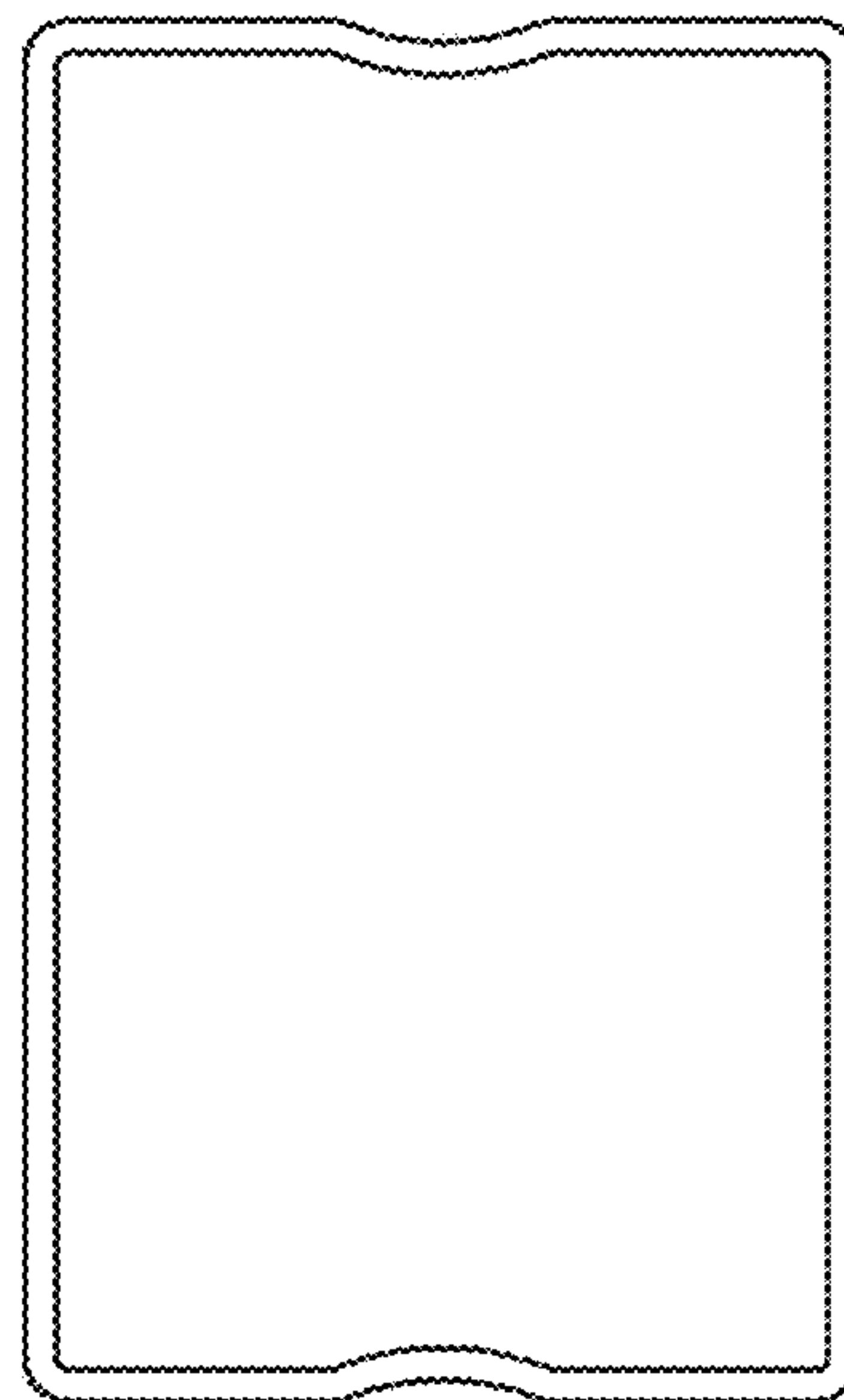


Fig. 3

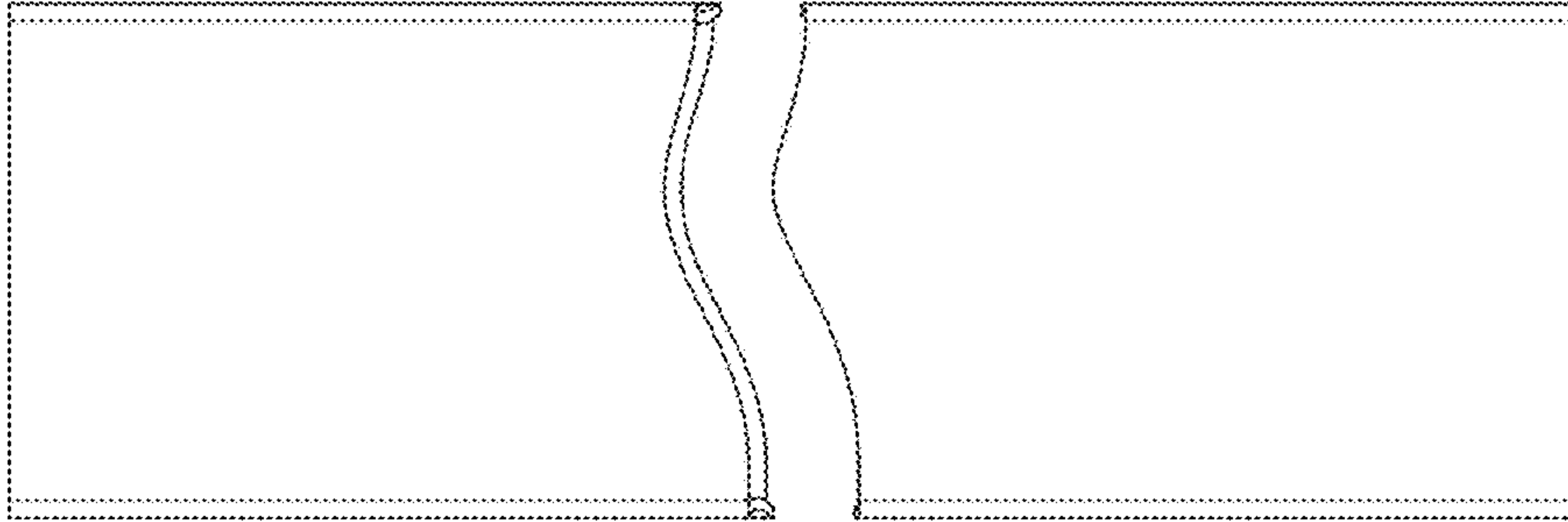


Fig. 6

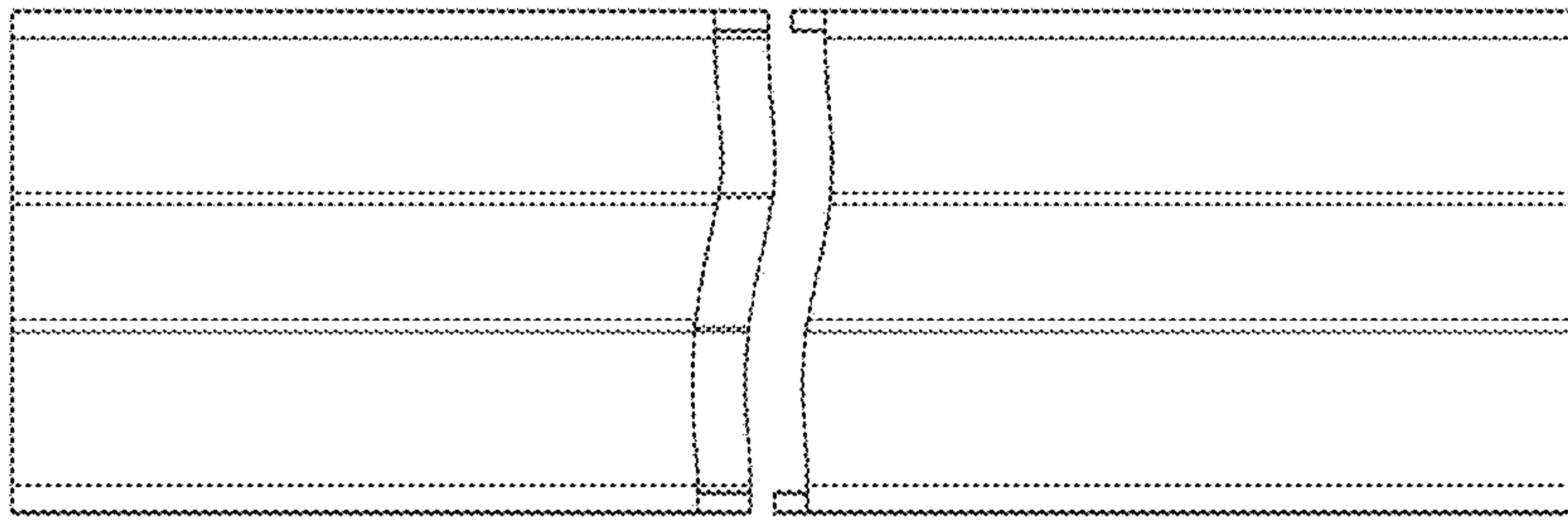


Fig. 5

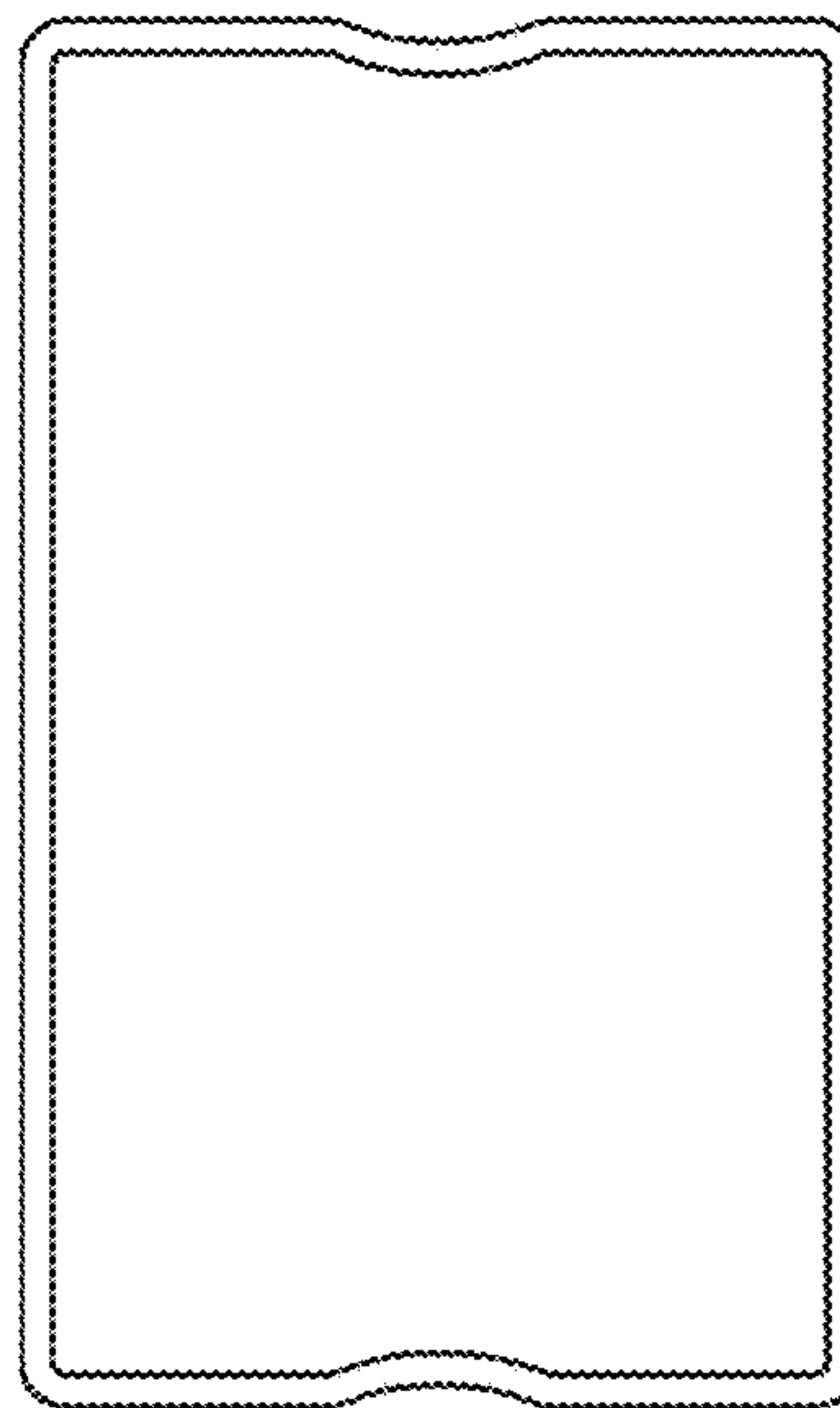


Fig. 4