



US00D784059S

(12) **United States Design Patent**
Berkowitz

(10) **Patent No.:** **US D784,059 S**
(45) **Date of Patent:** **** Apr. 18, 2017**

(54) **PORTABLE TABLE**

(71) Applicant: **Daniel Berkowitz**, Devon, PA (US)

(72) Inventor: **Daniel Berkowitz**, Devon, PA (US)

(**) Term: **14 Years**

(21) Appl. No.: **29/521,090**

(22) Filed: **Mar. 19, 2015**

5,865,127 A	2/1999	Carter	
5,884,566 A	3/1999	Chen	
6,026,751 A *	2/2000	Tsai	A47B 3/00 108/115
D422,430 S *	4/2000	Wilton	D6/691
6,073,894 A	6/2000	Chen	
6,158,361 A *	12/2000	Zheng	A47B 3/12 108/118
6,199,489 B1 *	3/2001	Tsai	A47B 3/04 108/115

(Continued)

Related U.S. Application Data

(62) Division of application No. 29/449,735, filed on Mar. 5, 2013, now Pat. No. Des. 728,288.

(51) **LOC (10) Cl.** **06-03**

(52) **U.S. Cl.**
USPC **D6/692.4**

(58) **Field of Classification Search**
USPC D6/691, 691.1, 691.2, 691.6, 641, 691.3,
D6/691.4, 656.15, 656, 688.1, 688, 698,
D6/390, 382, 692, 692.4, 691.8, 686, 353,
D6/688.27, 708.1, 692.2, 692.3, 657, 672,
D6/685, 707.19, 691.9, 701, 707, 707.23,
D6/644, 656.19; D25/63
CPC A47B 7/00; A47B 13/08; A47B 13/10;
A47B 21/00; A47B 25/00; A47B
2009/006; A47B 11/00

See application file for complete search history.

(56) **References Cited**

U.S. PATENT DOCUMENTS

D31,157 S *	7/1899	Stover	D6/707.2
1,185,568 A *	5/1916	Zeunert	A47B 3/00 108/115
D165,829 S *	2/1952	Dorr, Jr.	D6/692.3
4,122,780 A	10/1978	Brickman	
4,177,737 A *	12/1979	Brickman	A47C 9/10 108/11
4,603,642 A *	8/1986	Brickman	A47B 3/02 108/11
5,421,273 A	6/1995	Lin	

OTHER PUBLICATIONS

Malaysia Exhibition Booth Panel Display System Supply & Flag Banner Sticker Printing [online]. ez4display, 2016 [retrieved on Aug. 15, 2016]. Retrieved from the Internet:< <https://ez4display.com/display-system/foldable-table-chair/> >.*

Primary Examiner — Mary Ann Calabrese

Assistant Examiner — Sloan Rozin

(74) *Attorney, Agent, or Firm* — John F. A. Earley, III;
Frank J. Bonini, Jr.; Harding, Earley, Follmer & Frailey,
P.C.

(57) **CLAIM**

The ornamental design for a portable table, as shown and described.

DESCRIPTION

FIG. 1 is a perspective view of a portable table according to my new design;

FIG. 2 is a front elevation view thereof, the rear elevation view thereof being the same as the front;

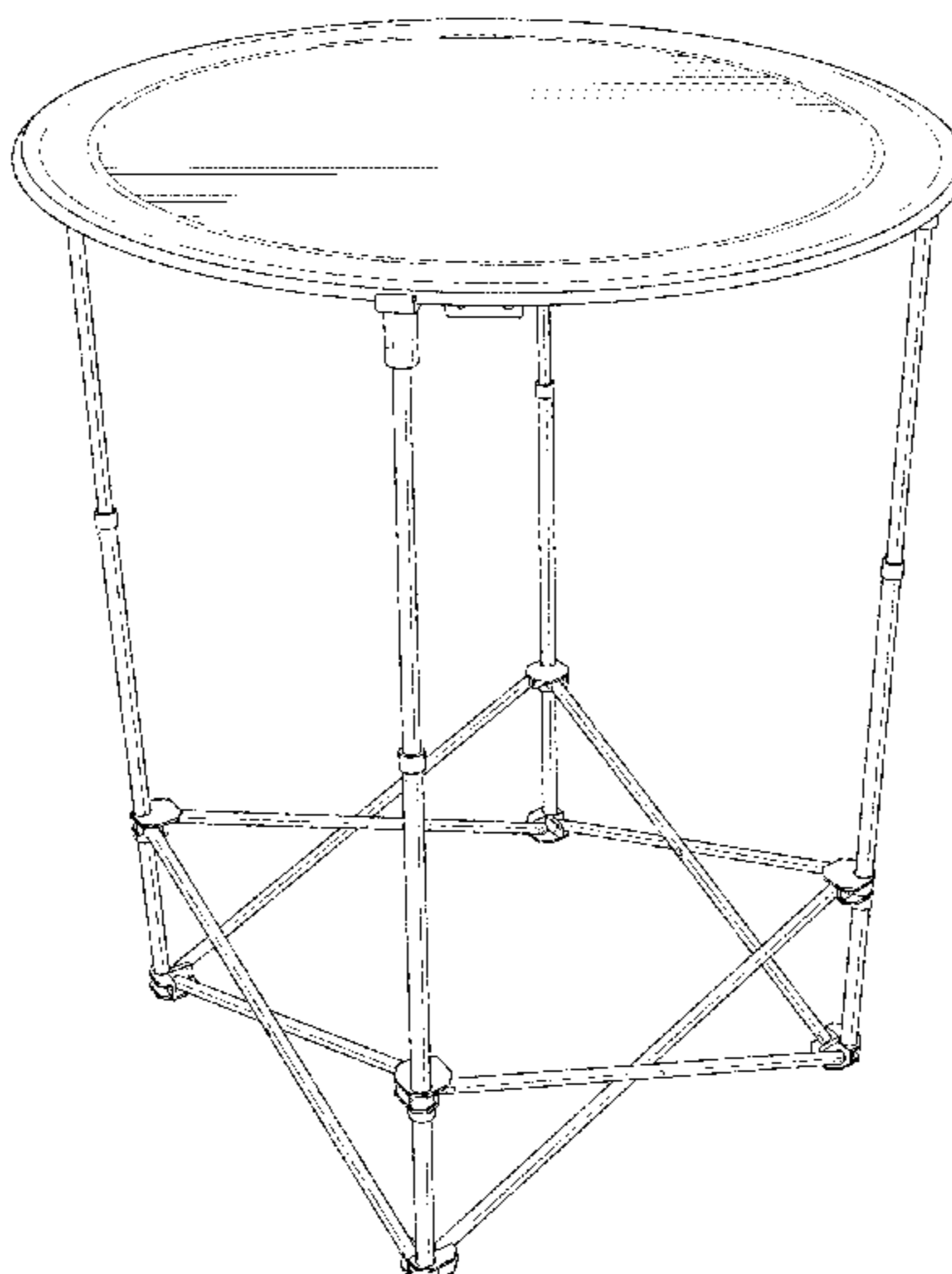
FIG. 3 is a right side elevation view thereof, the left side elevation view thereof being the same as the right;

FIG. 4 is a top plan view thereof; and,

FIG. 5 is a bottom plan view thereof.

The broken lines in FIGS. 1-5 illustrate portions of the article and form no part of the claimed design.

1 Claim, 5 Drawing Sheets



(56)

References Cited

U.S. PATENT DOCUMENTS

6,234,089 B1 *	5/2001	Zheng	A47B 3/002 108/115	7,765,941 B2	8/2010	Chen	
6,283,045 B1	9/2001	Izumi		7,926,129 B2 *	4/2011	Reeb	A45F 3/24 5/127
6,439,133 B1	8/2002	Jaramillo		8,327,774 B1	12/2012	Rivera	
6,505,565 B1 *	1/2003	Byung	A47B 3/00 108/115	8,424,470 B2	4/2013	Volin	
6,662,732 B2	12/2003	Birsel et al.		8,806,676 B2 *	8/2014	Reeb	A45F 3/24 5/120
D498,088 S *	11/2004	Tsang	D6/691.6	8,915,195 B2 *	12/2014	Berkowitz	A47B 3/12 108/115
6,889,618 B1	5/2005	Gromack		D723,846 S *	3/2015	Healy	D6/692.4
6,929,230 B2	8/2005	Tsai		D725,949 S *	4/2015	Berkowitz	D6/692.4
6,966,084 B2 *	11/2005	Le Gette	A45F 3/24 5/115	9,010,010 B2 *	4/2015	Dreiband	F41C 27/00 42/106
6,997,111 B2	2/2006	Giegerich		D728,288 S *	5/2015	Berkowitz	D6/707.2
7,131,364 B2	11/2006	Brazell		D747,618 S *	1/2016	Berkowitz	D6/707.2
D536,394 S *	2/2007	Meoli	D21/397	D747,904 S *	1/2016	Haynes	D6/692
D554,913 S *	11/2007	Magnusson	D6/708	D762,405 S *	8/2016	Werner	D6/690
D572,506 S *	7/2008	Magnusson	D6/708	2003/0094123 A1	5/2003	Ulmer	
D579,240 S *	10/2008	Magnusson	D6/711	2004/0051009 A1	3/2004	Chen	
7,441,287 B2 *	10/2008	Zheng	A45F 3/24 5/116	2004/0084581 A1	5/2004	Chang	
D586,589 S *	2/2009	Magnusson	D6/711	2005/0199162 A1	9/2005	Hendricks et al.	
				2008/0178776 A1	7/2008	Arias et al.	
				2009/0241811 A1	10/2009	Markegard et al.	

* cited by examiner

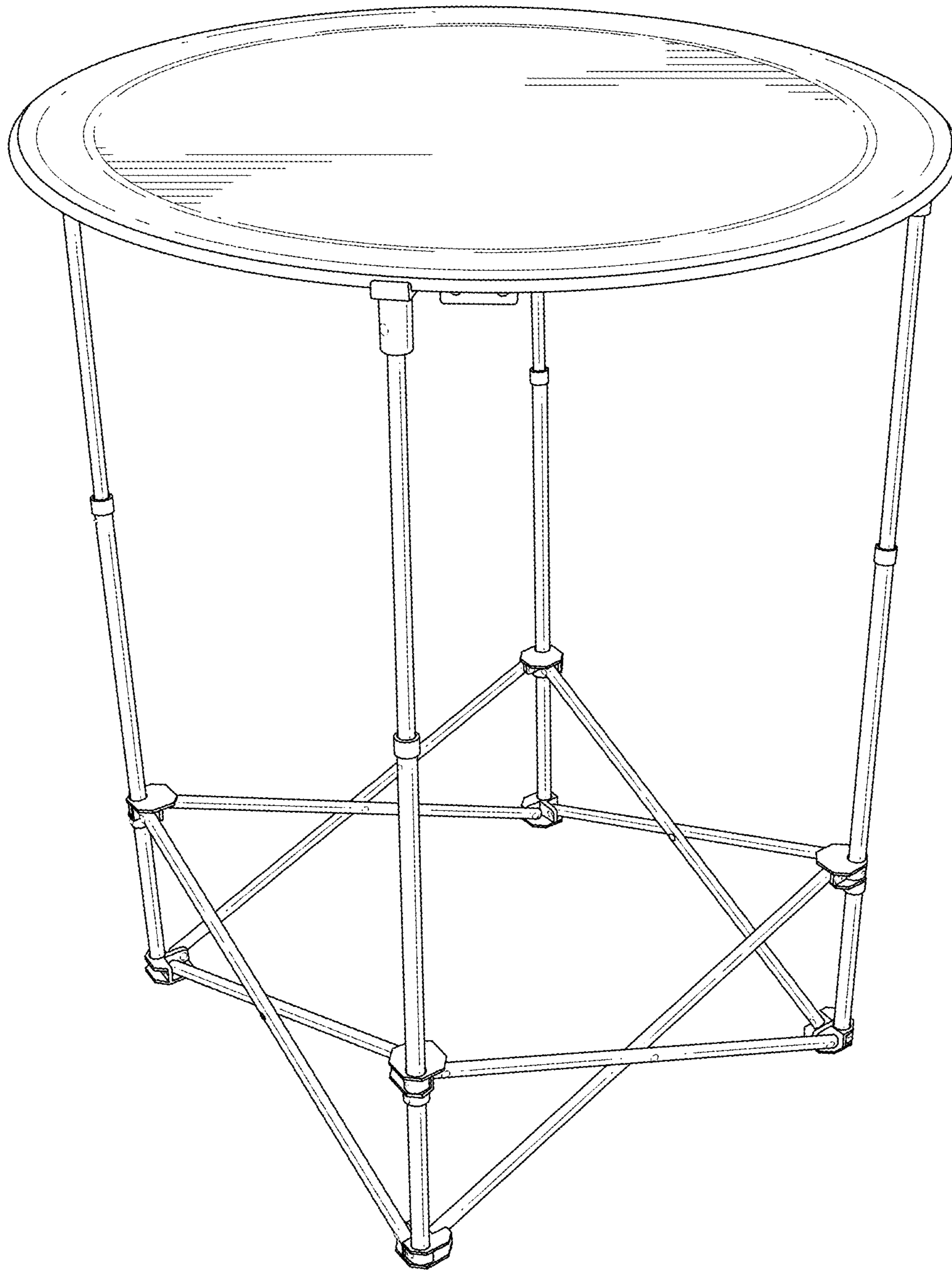


FIG. 1

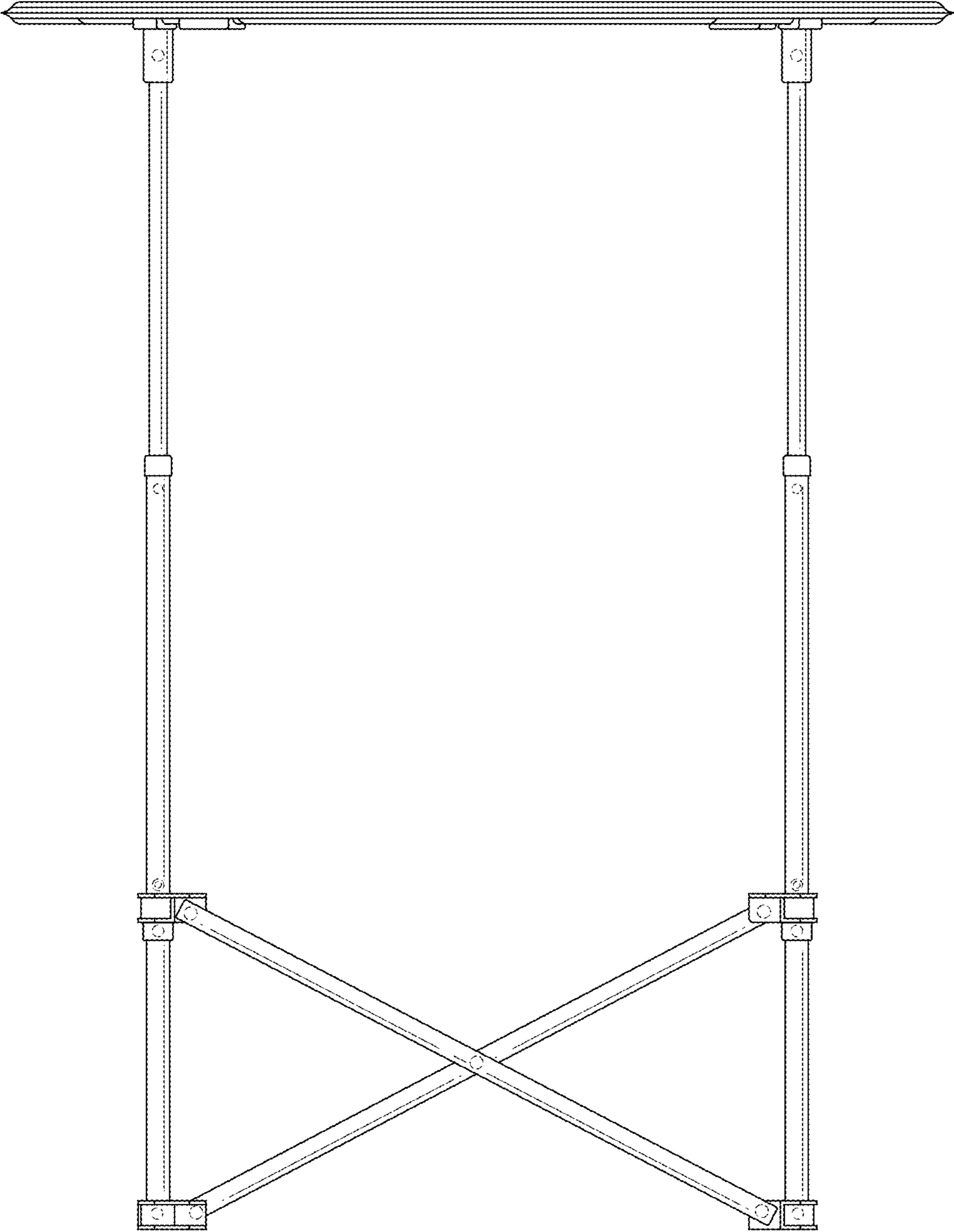


FIG.2

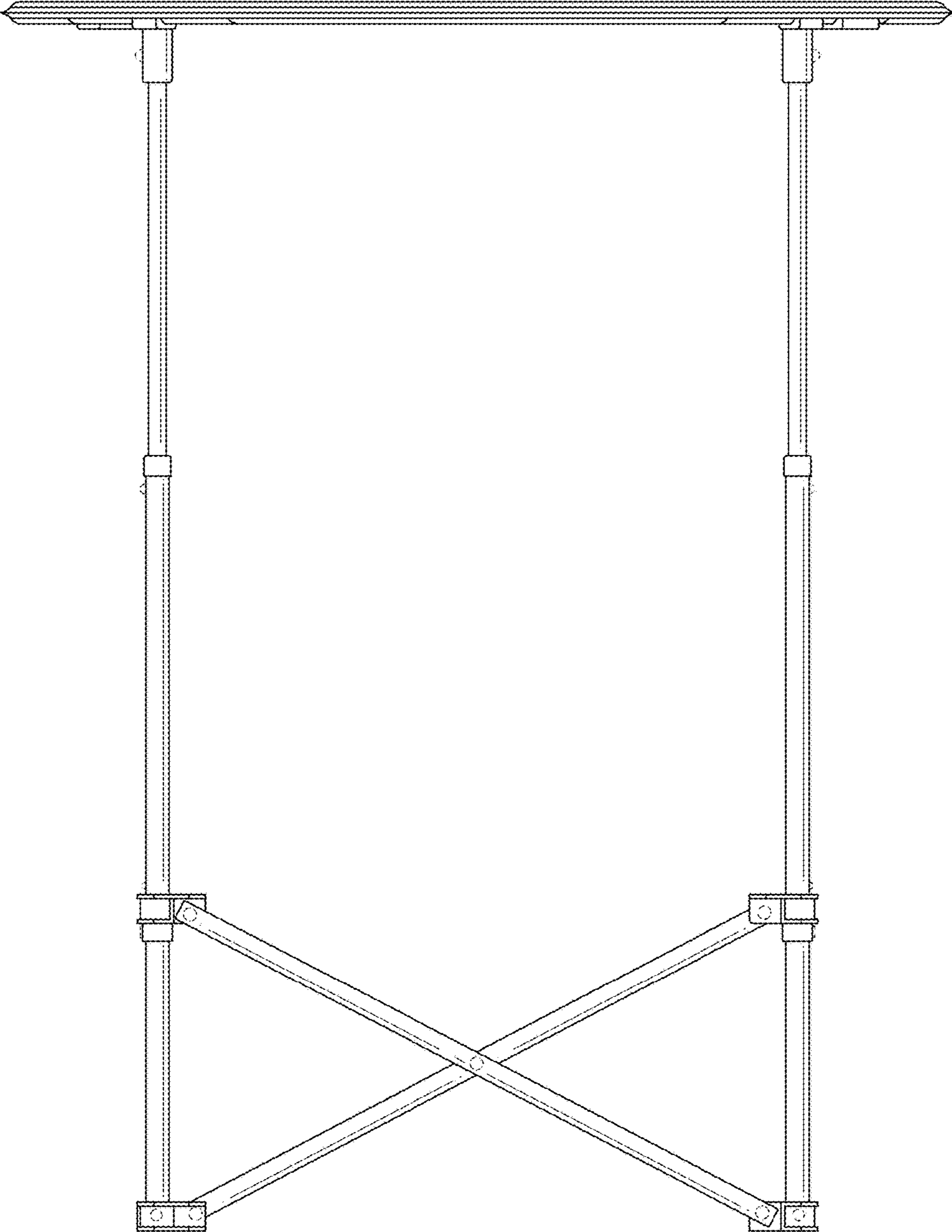


FIG. 3

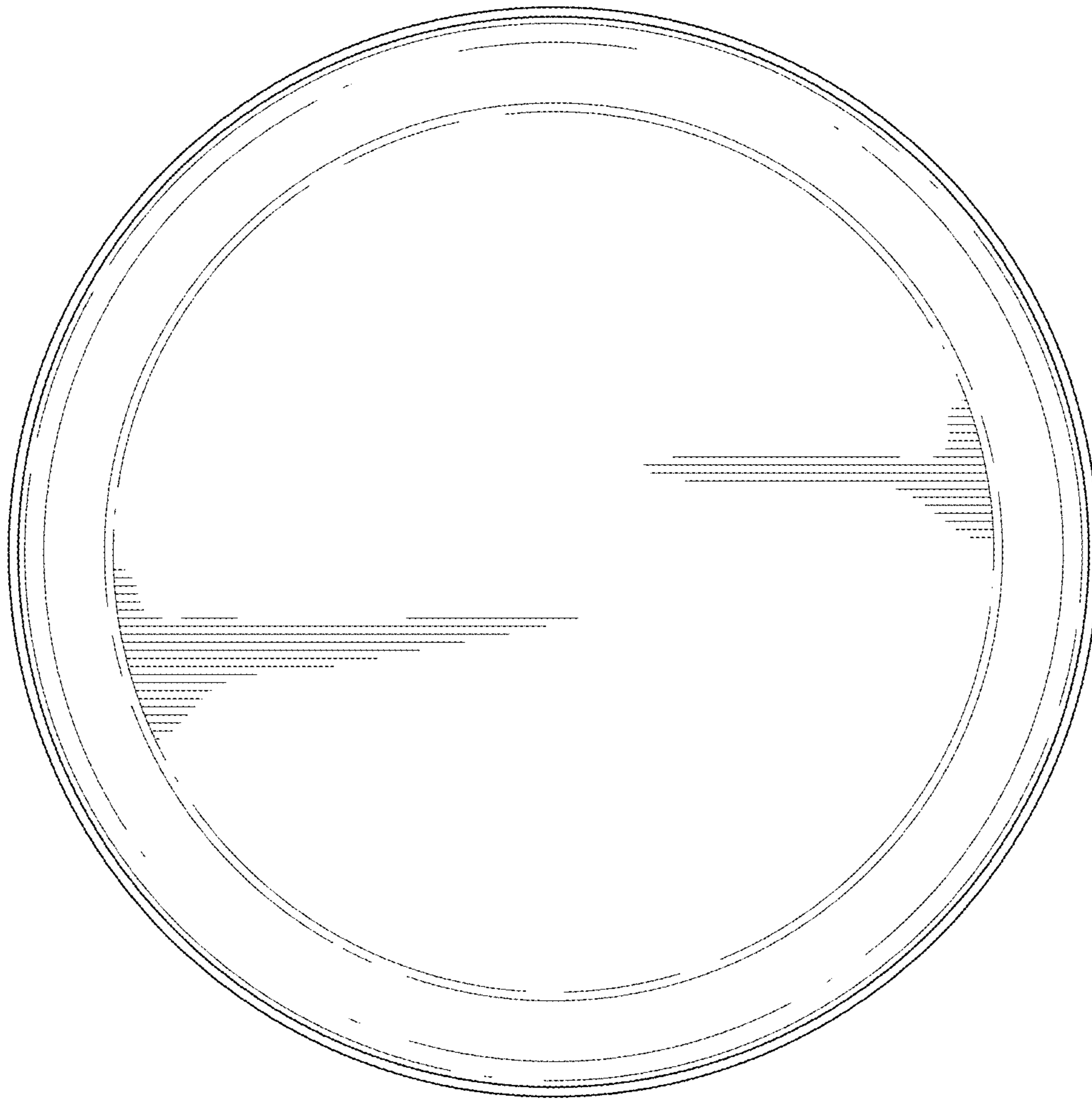


FIG.4

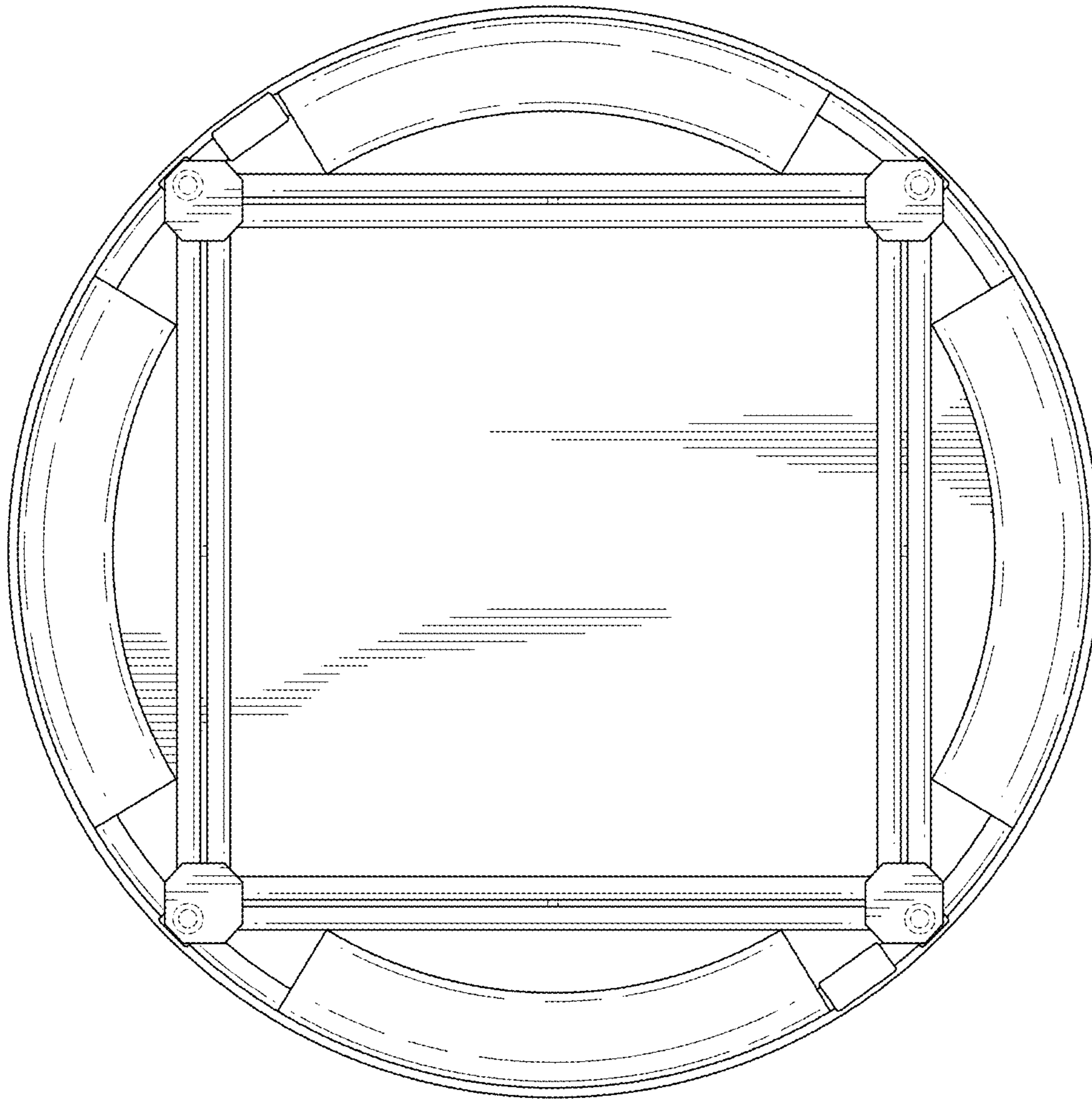


FIG. 5