



US00D784057S

(12) **United States Design Patent** (10) **Patent No.:** **US D784,057 S**  
**Levy** (45) **Date of Patent:** **\*\* Apr. 18, 2017**

- (54) **TABLE**
- (71) Applicant: **Arik Levy**, Paris (FR)
- (72) Inventor: **Arik Levy**, Paris (FR)
- (73) Assignee: **EMU GROUP S.P.A.**, Marsciano (Perugia) (IT)
- (\*\*) Term: **14 Years**
- (21) Appl. No.: **29/499,582**
- (22) Filed: **Aug. 15, 2014**
- (30) **Foreign Application Priority Data**  
 Feb. 21, 2014 (EM) ..... 002410159-0019
- (51) **LOC (10) Cl.** ..... **06-04**
- (52) **U.S. Cl.**  
 USPC ..... **D6/691.1**
- (58) **Field of Classification Search**  
 USPC ... D6/691, 691.4, 685, 691.1, 692.3, 708.23,  
 D6/708.22  
 CPC ..... A47B 7/00; A47B 21/00; A47B 25/00;  
 A47B 13/02; A47B 13/023; A47B  
 13/026; A47B 13/028; A47B 2200/0011  
 See application file for complete search history.
- (56) **References Cited**  
 U.S. PATENT DOCUMENTS  
 D189,753 S \* 2/1961 Clark et al. .... D19/34.1  
 3,917,368 A \* 11/1975 Gusdorf ..... A47B 31/04  
 248/188.7

D378,635 S *	4/1997	Studer .....	D6/656.15
D575,082 S *	8/2008	Hu .....	D6/656.15
D575,084 S *	8/2008	Jehs .....	D6/708.17
D579,239 S *	10/2008	Massaud .....	D6/691.4
D590,187 S *	4/2009	Domack .....	D6/691.4
D644,457 S *	9/2011	Wilson .....	D6/644
D672,984 S *	12/2012	Lade .....	D6/691.2
D691,405 S *	10/2013	Pearsons .....	D6/708.23
D696,883 S *	1/2014	Krusin .....	D6/692.3
D718,558 S *	12/2014	Chipman .....	D6/692.3
2014/0338573 A1 *	11/2014	Rassat .....	A47C 5/04 108/150

\* cited by examiner

*Primary Examiner* — Robin V Webster  
*Assistant Examiner* — James Thorn, Sr.  
 (74) *Attorney, Agent, or Firm* — Themis Law

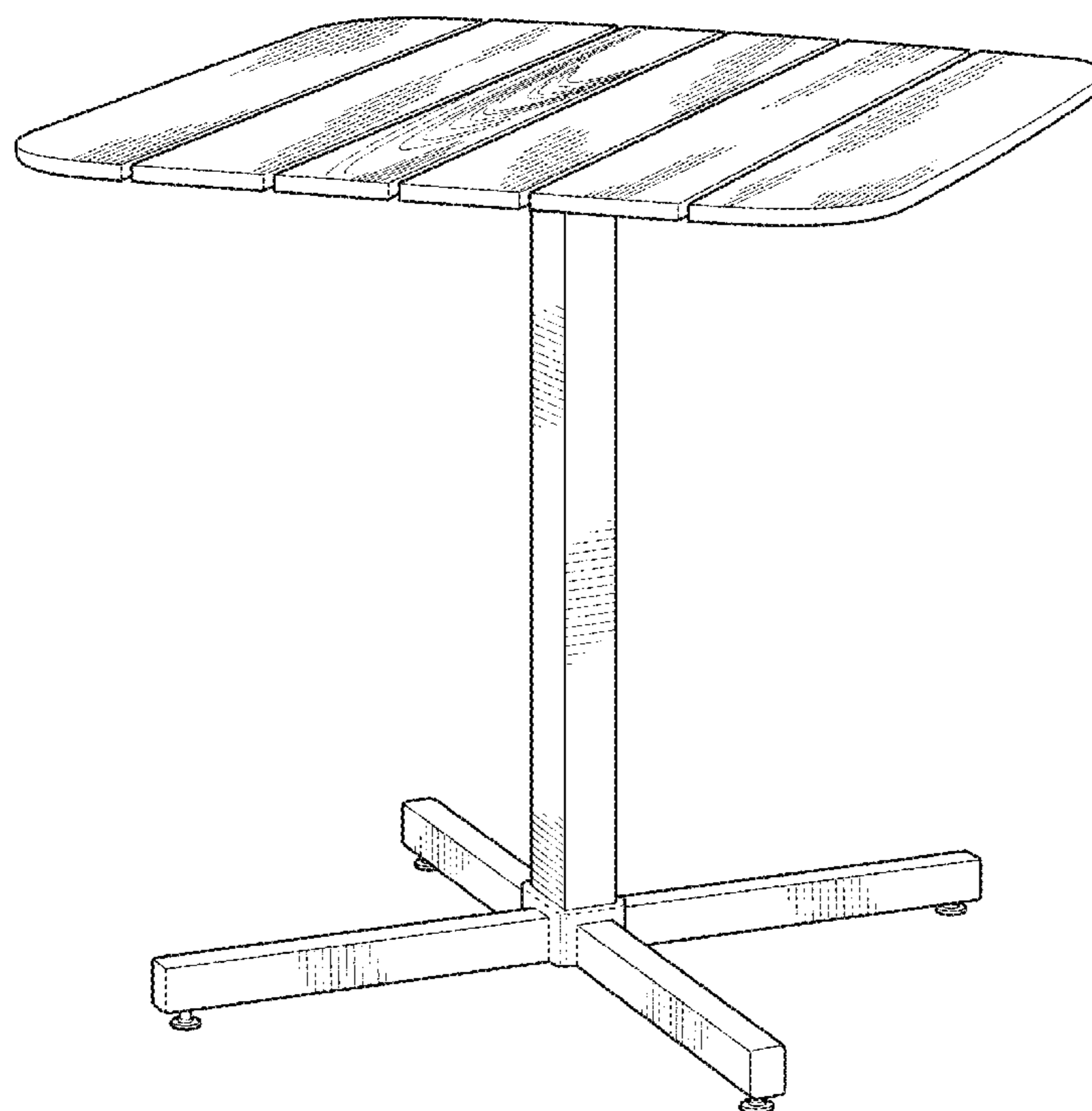
(57) **CLAIM**

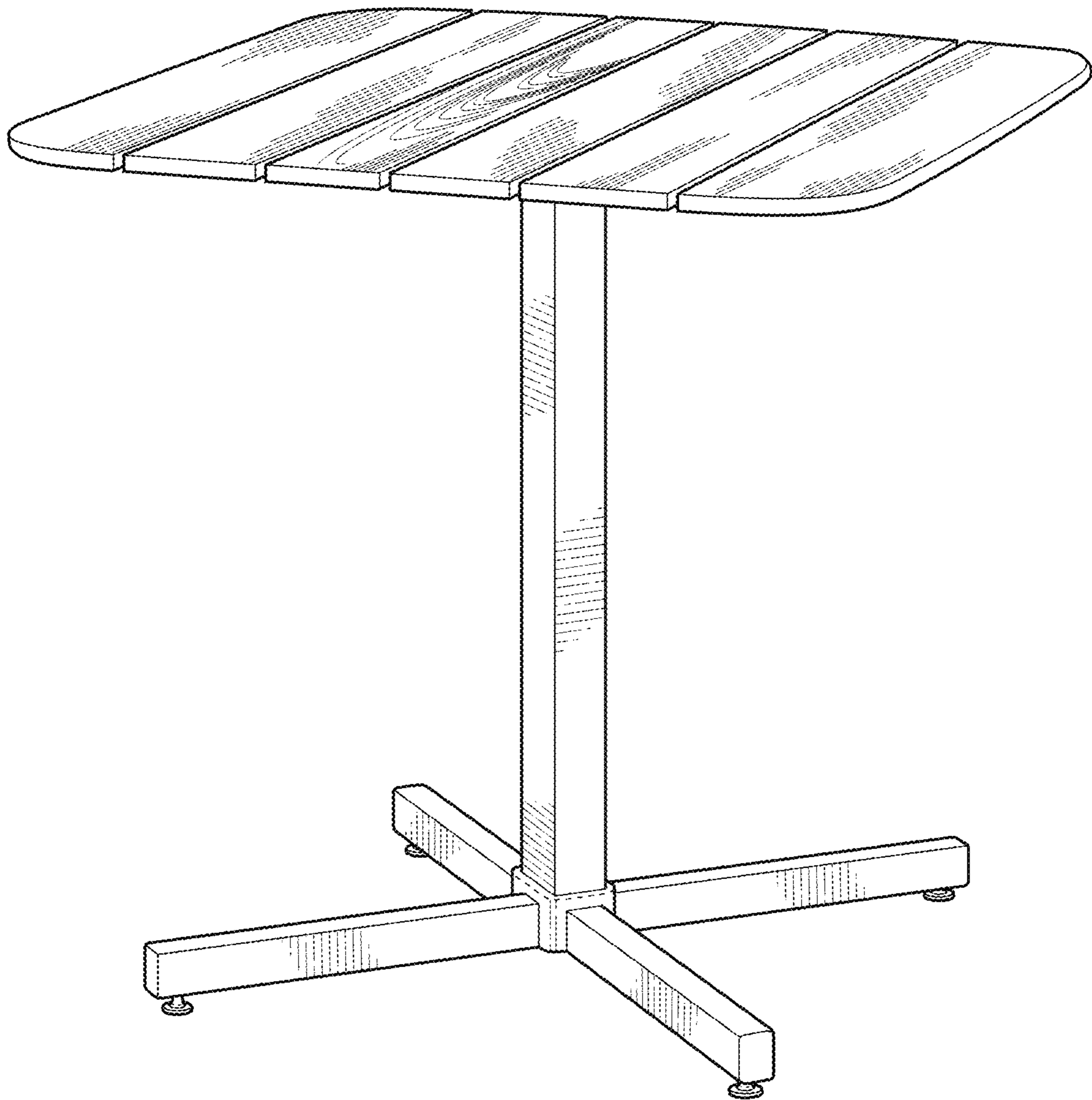
The ornamental design for a table, as shown and described.

**DESCRIPTION**

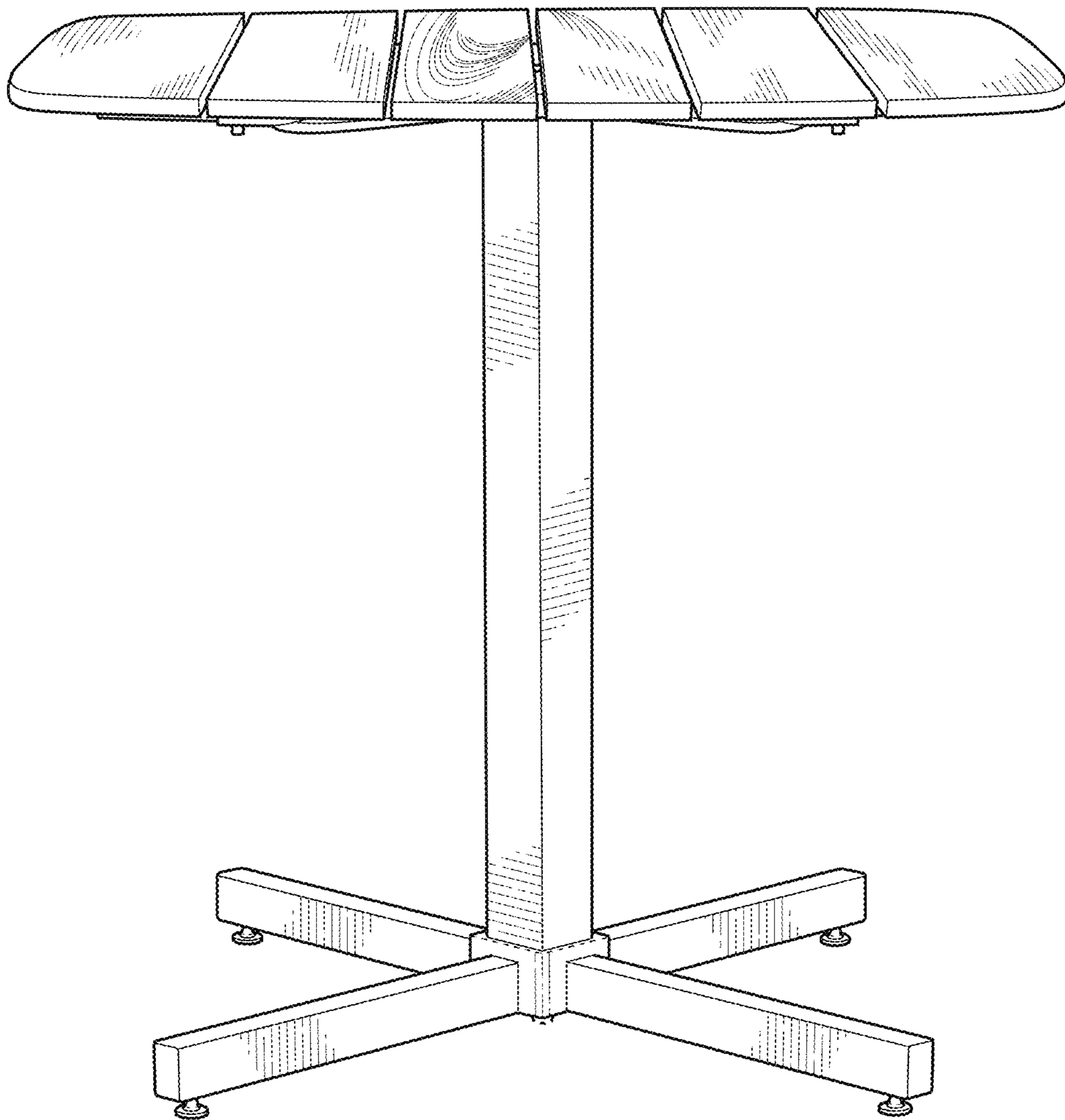
FIG. 1 is a front perspective view of a table showing my new design;  
 FIG. 2 is a left side view thereof, the right side being a mirror image;  
 FIG. 3 is a top plan view thereof; and,  
 FIG. 4 is a bottom perspective view thereof.

**1 Claim, 4 Drawing Sheets**





**FIG. 1**



**FIG. 2**

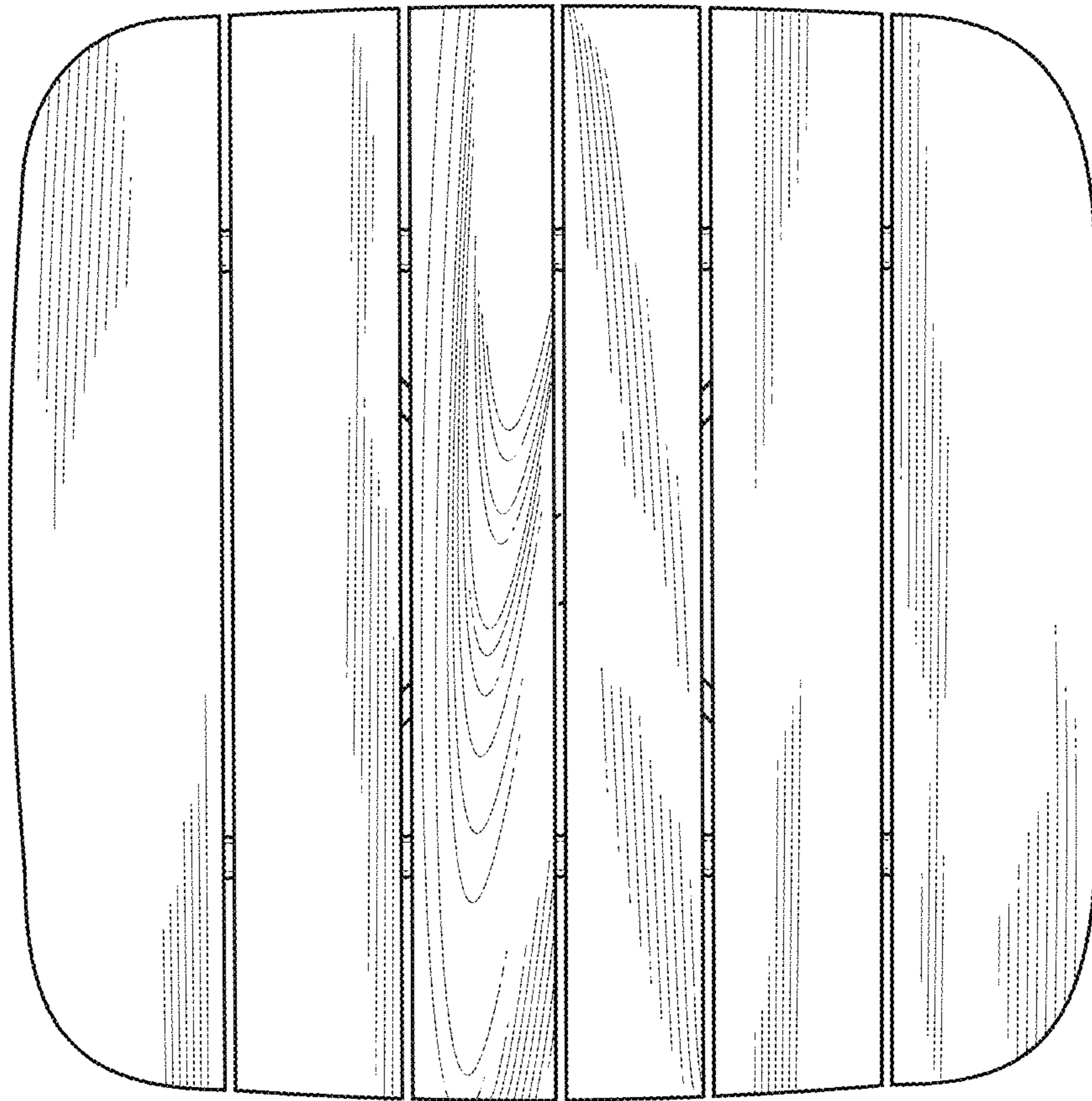


FIG. 3

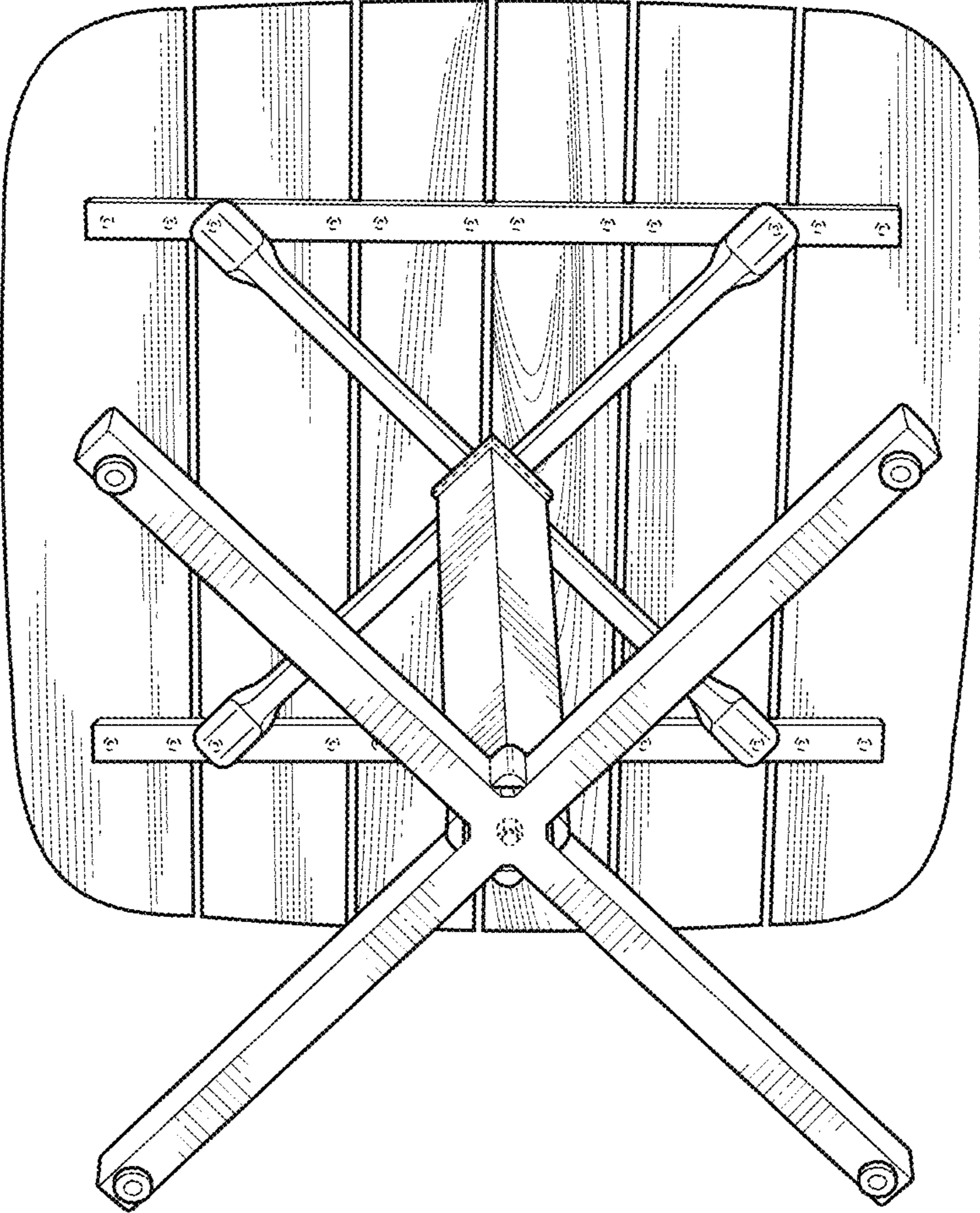


FIG. 4