



US00D784054S

(12) **United States Design Patent**  
**Arzaluz**

(10) **Patent No.:** **US D784,054 S**  
(45) **Date of Patent:** **\*\* Apr. 18, 2017**

(54) **PRODUCT DISPLAY**

(71) Applicant: **Grupo Bimbo, S.A.B. de C.V.**, Mexico (MX)

(72) Inventor: **Karla Janet Aranda Arzaluz**, Metepec (MX)

(73) Assignee: **GRUPO BIMBO, S.A.B. DE C.V.**, Mexico City (MX)

(\*\*) Term: **15 Years**

(21) Appl. No.: **29/542,726**

(22) Filed: **Oct. 16, 2015**

(30) **Foreign Application Priority Data**

Apr. 27, 2015 (MX) ..... MX/f/2015/001403

(51) **LOC (10) Cl.** ..... **06-04**

(52) **U.S. Cl.**  
USPC ..... **D6/675.2**

(58) **Field of Classification Search**

USPC ..... D6/315, 317, 319, 329, 673, 675,  
D6/675.1-675.4, 678.4, 680.3, 702;  
D7/571-572, 576-577, 600, 600.1-600.4;  
211/59.2, 74, 150, 187; 108/102, 107,  
108/137; 40/606.03; 312/107  
CPC ..... A47B 73/00; A47B 73/002; A47B 73/004;  
A47B 47/00; A47B 47/0058; A47B  
47/008; A47B 47/25; A47F 5/00; A47F  
5/0056; A47F 5/0062; B65D 21/0211  
See application file for complete search history.

(56) **References Cited**

**U.S. PATENT DOCUMENTS**

D259,161 S \* 5/1981 Thauer ..... D6/675.2  
D369,036 S \* 4/1996 Wyatt ..... D6/680.3

D422,164 S \* 4/2000 Ray ..... D6/675.3  
D526,818 S \* 8/2006 Sparkowski ..... D6/680.3  
D617,580 S \* 6/2010 Weigand ..... D6/675.2  
D656,759 S \* 4/2012 Landa ..... D6/678.2  
D739,669 S \* 9/2015 Mason ..... D6/675.1  
2003/0164663 A1\* 9/2003 Chang ..... A47F 5/10  
312/107  
2004/0256341 A1\* 12/2004 Donnell ..... A47F 1/12  
211/187  
2006/0011565 A1\* 1/2006 Pirro ..... A47F 5/0018  
211/59.2

**OTHER PUBLICATIONS**

Certified copy of Mexican Application No. MX/f/2015/001403 filed Apr. 27, 2015, with certified English translation thereof.

\* cited by examiner

*Primary Examiner* — Manpreet Matharu

*Assistant Examiner* — Keith Wilson

(74) *Attorney, Agent, or Firm* — Brinks Gilson & Lione

(57) **CLAIM**

The ornamental design for product display, as shown and described.

**DESCRIPTION**

FIG. 1 is a perspective view of the product display;  
FIG. 2 is a front elevation view thereof,  
FIG. 3 is a rear elevation view thereof;  
FIG. 4 is a right side elevation view thereof;  
FIG. 5 is a left side elevation view thereof;  
FIG. 6 is a top plan view thereof; and,  
FIG. 7 is a bottom plan view thereof.

**1 Claim, 5 Drawing Sheets**

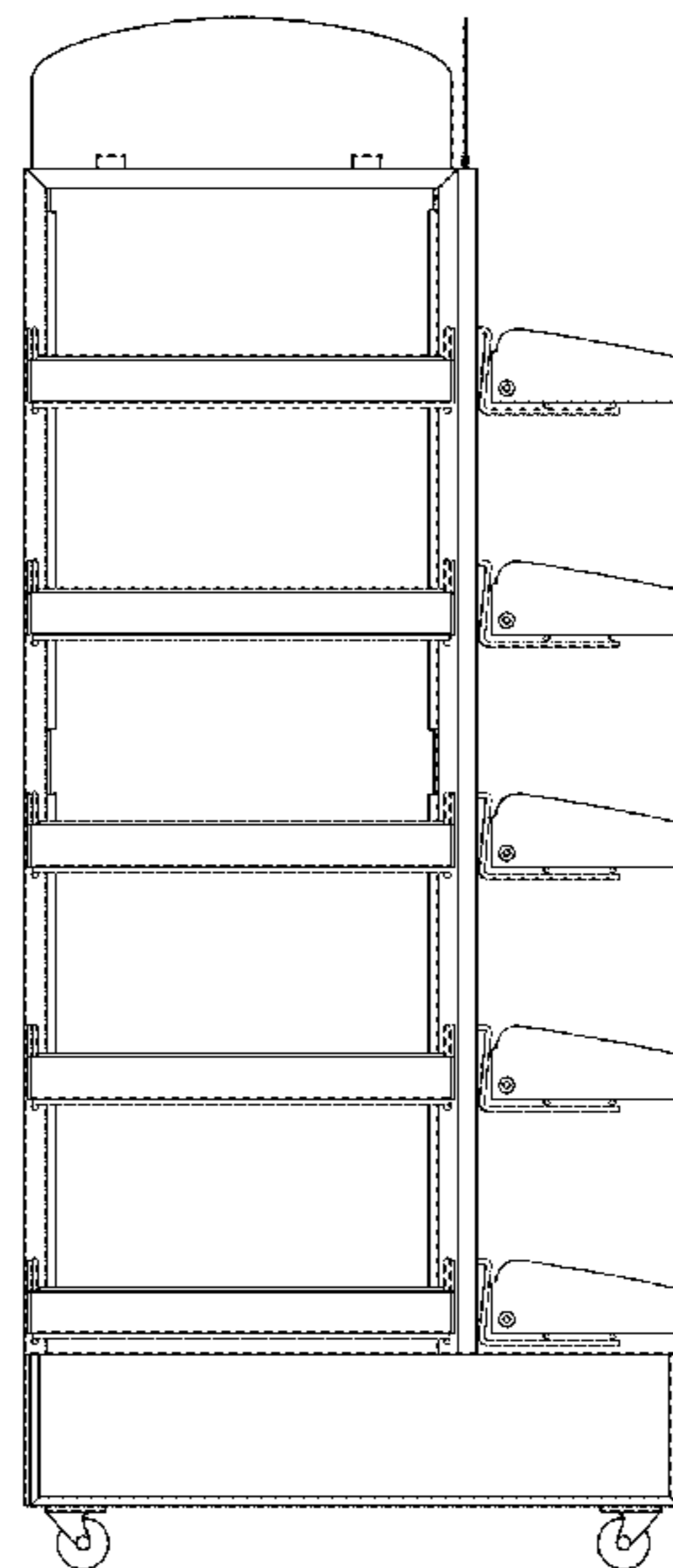
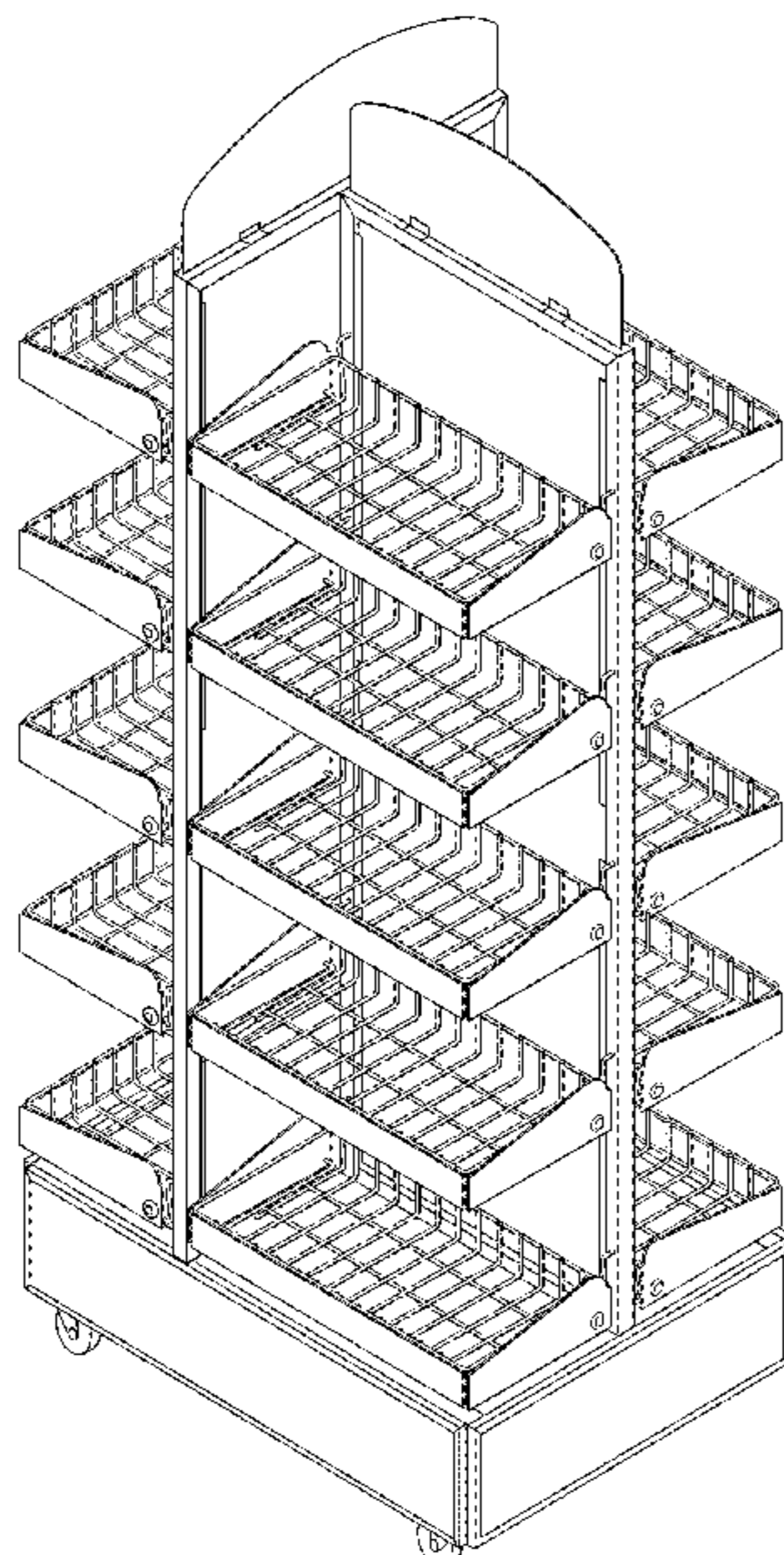


Fig. 1

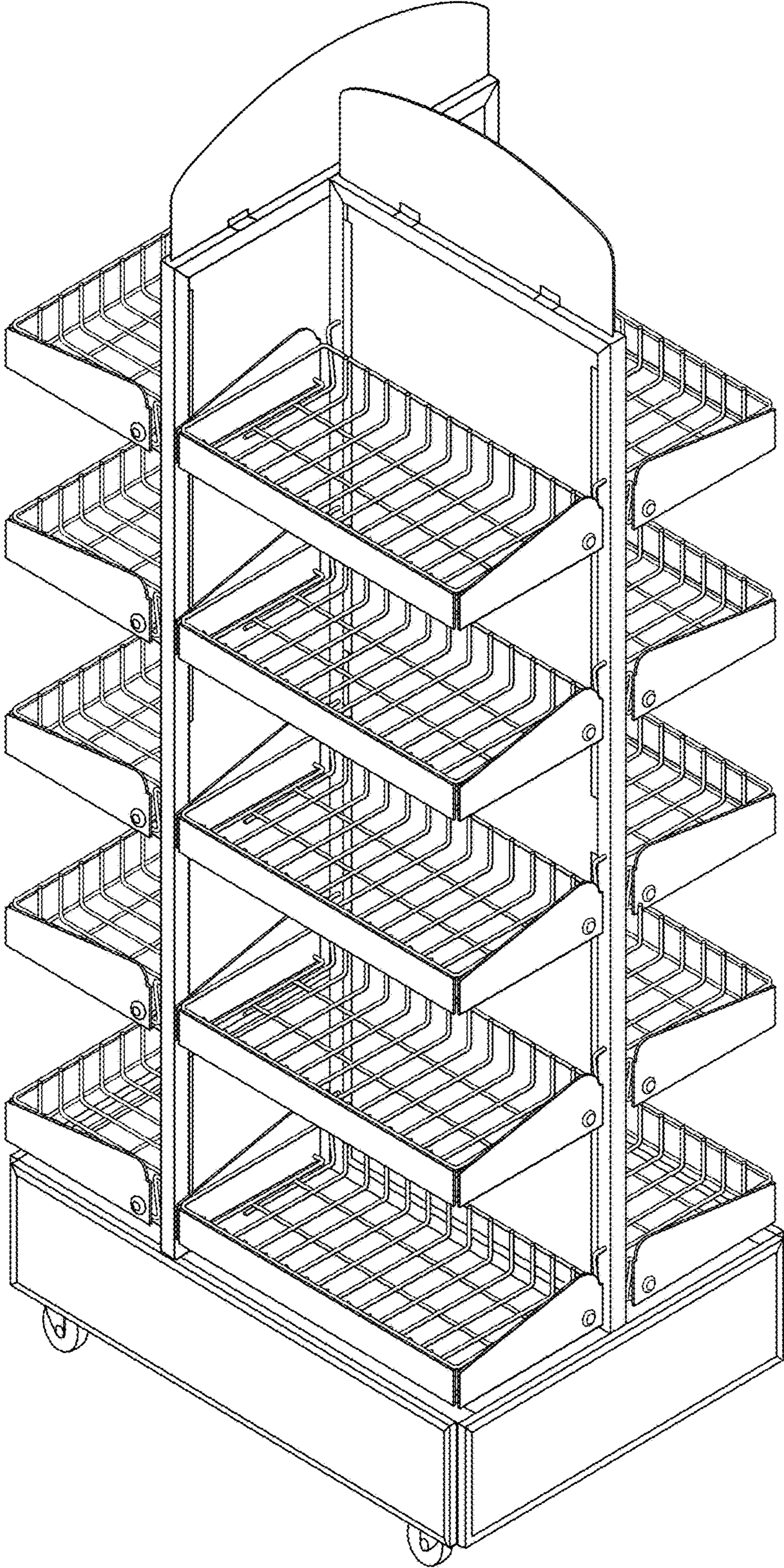


Fig. 2

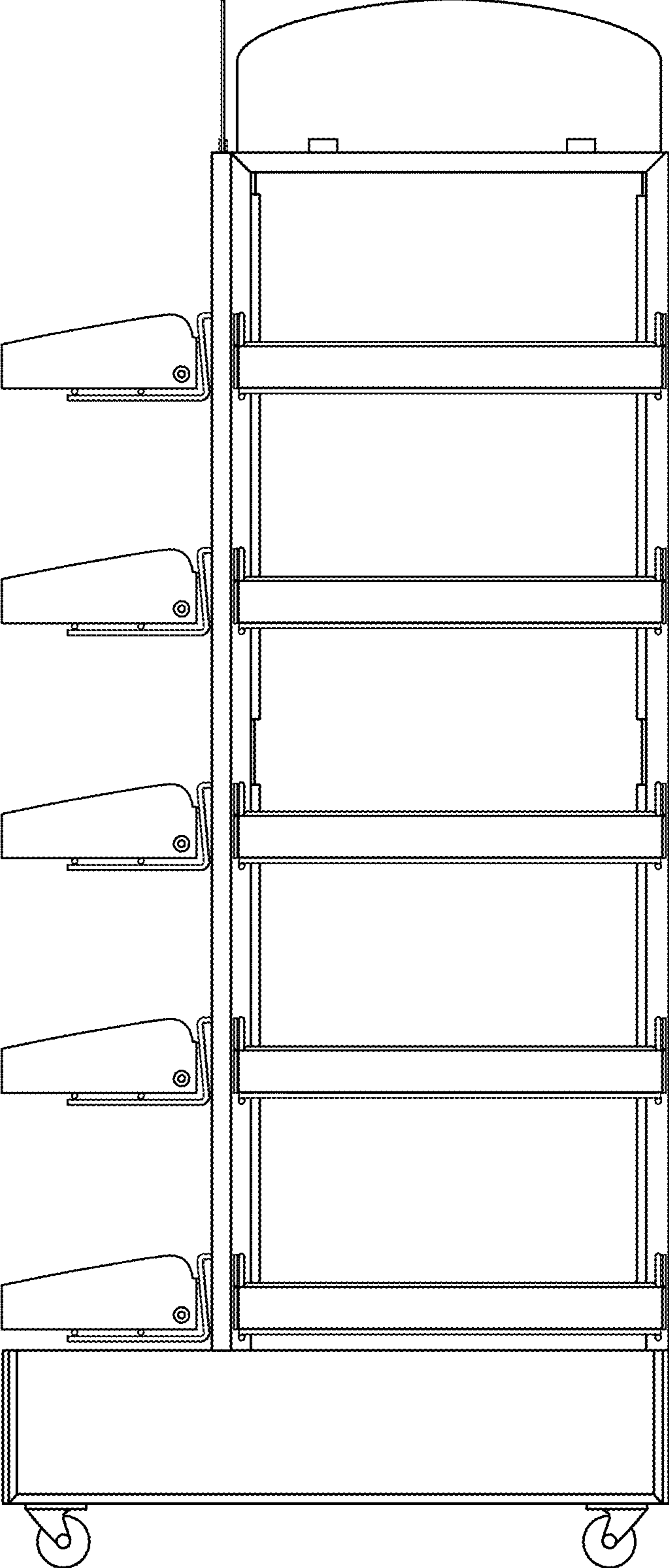


Fig. 3

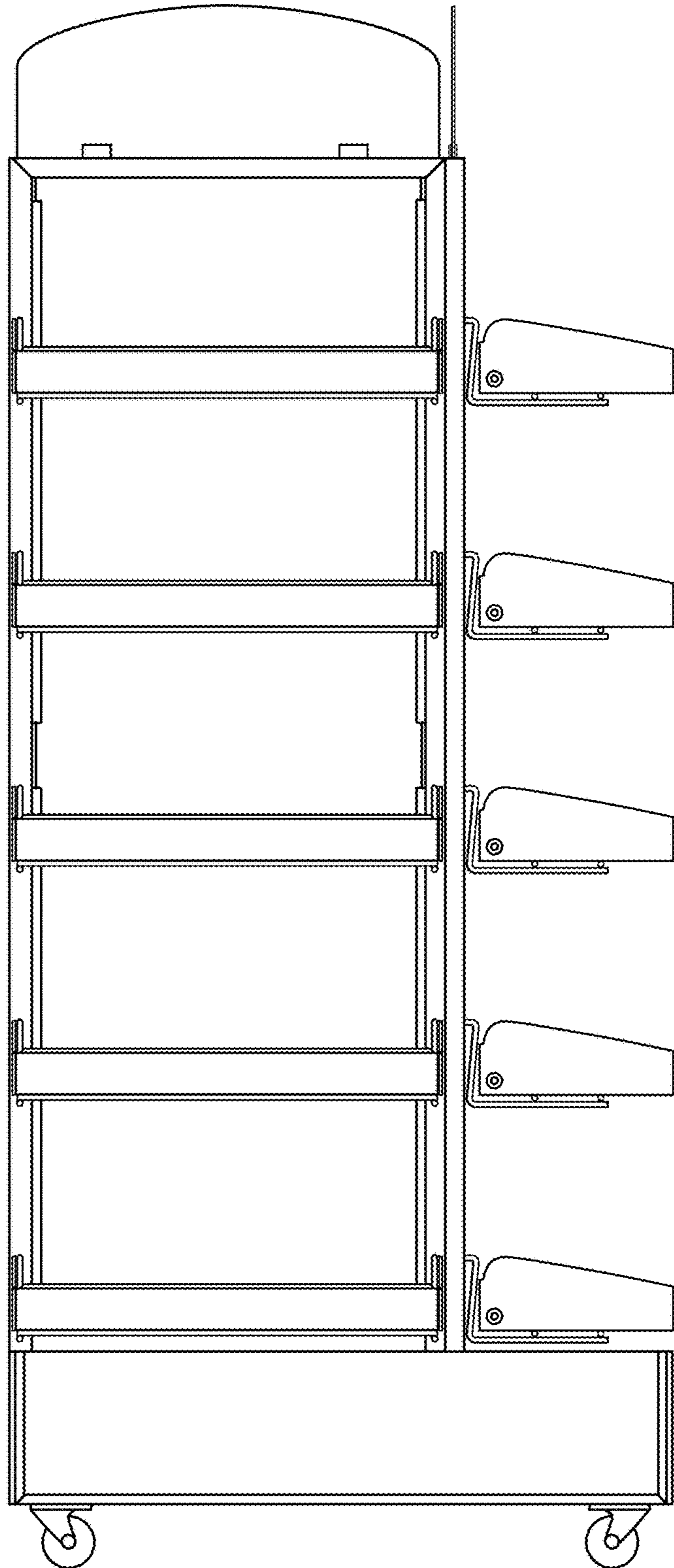


Fig. 4

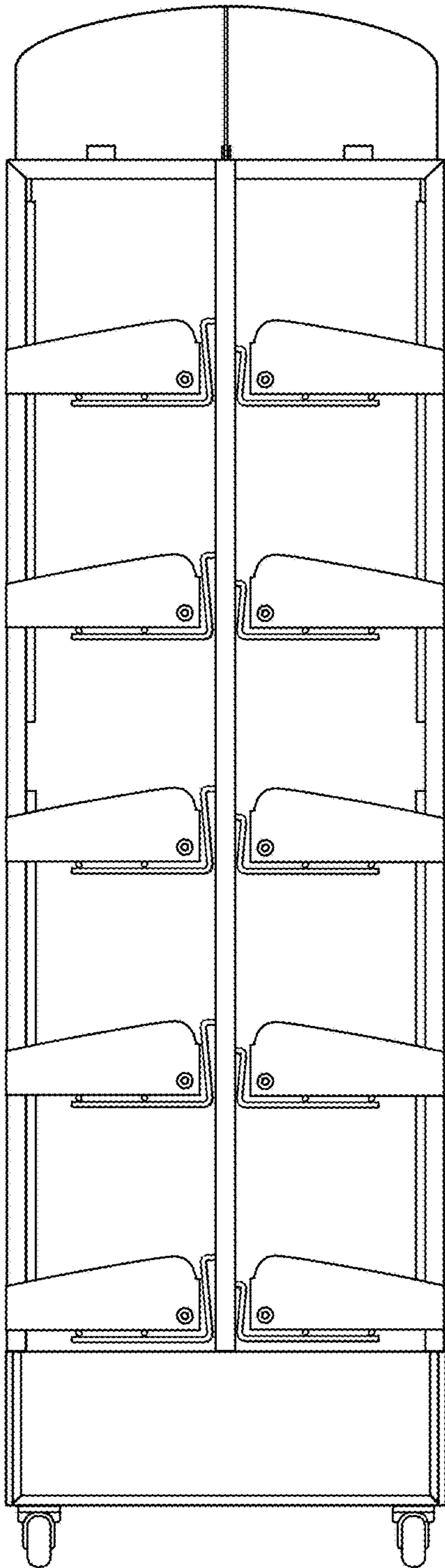
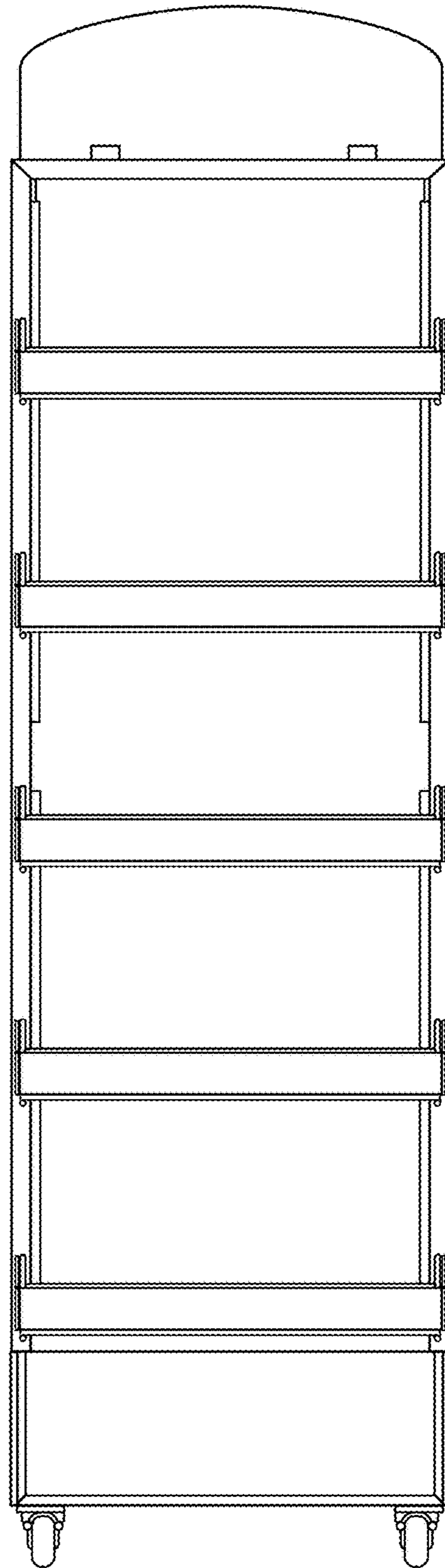
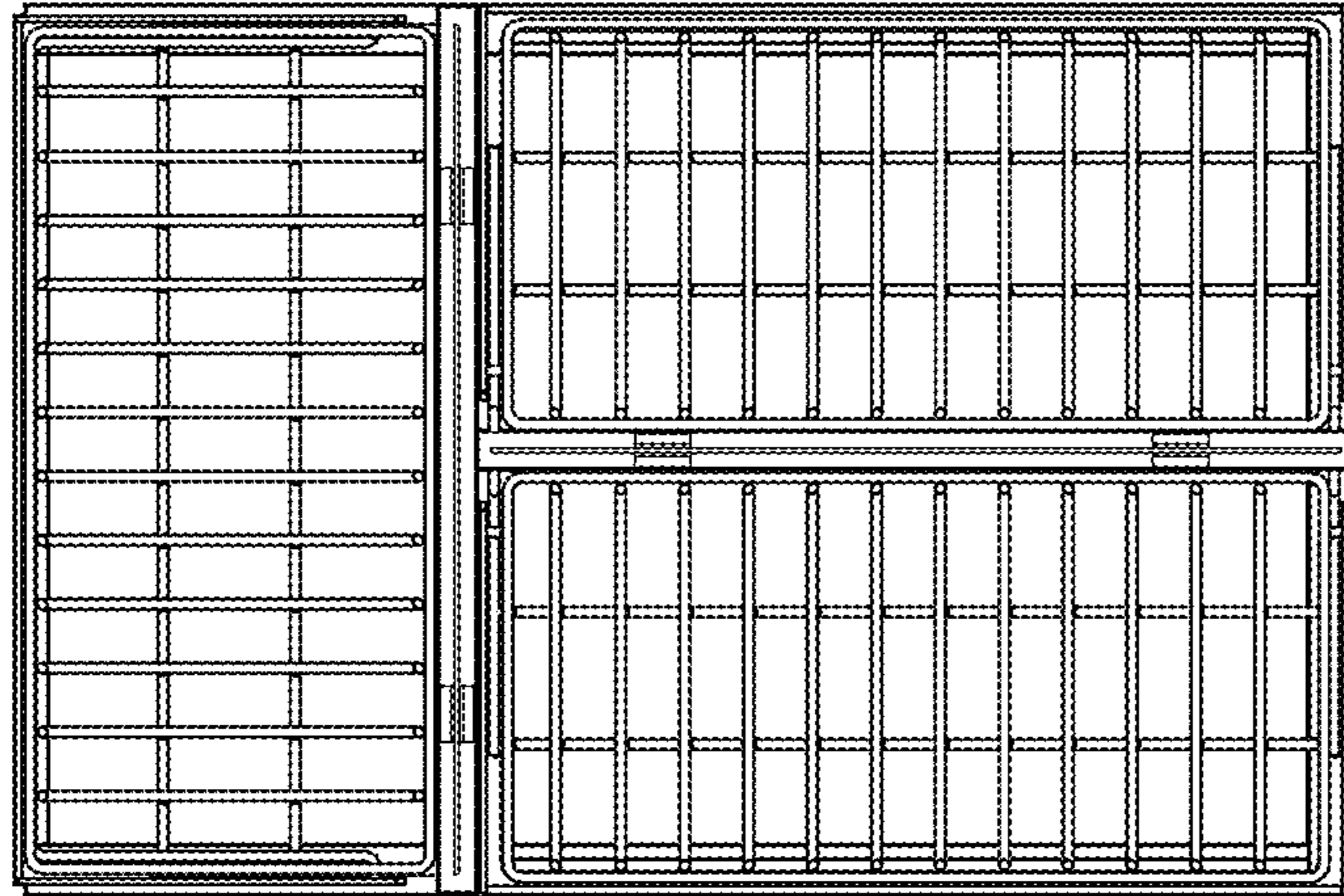


Fig. 5



**Fig. 6**



**Fig. 7**

