



US00D784052S

(12) **United States Design Patent**  
**Rodriguez**

(10) **Patent No.:** **US D784,052 S**  
(45) **Date of Patent:** **\*\* Apr. 18, 2017**

- (54) **DISPLAY RACK**
- (71) Applicant: **Grupo Bimbo, S.A.B. de C.V., Mexico (MX)**
- (72) Inventor: **Tzitzijani del Carmen Silva Rodriguez, San Mateo Atenco (MX)**
- (73) Assignee: **GRUPO BIMBO, S.A.B. DE C.V., Mexico City (MX)**
- (\*\*) Term: **15 Years**
- (21) Appl. No.: **29/539,371**
- (22) Filed: **Sep. 14, 2015**
- (30) **Foreign Application Priority Data**

4,978,013	A *	12/1990	Hogg	.....	A47F 5/13
					211/132.1
D317,094	S *	5/1991	Weinberg	.....	D6/675.2
D369,037	S *	4/1996	Wyatt	.....	D6/675.2
D398,460	S *	9/1998	Gerstner	.....	D6/675.4
D500,419	S *	1/2005	Sparkowski	.....	D6/675.2
D524,573	S *	7/2006	Robinson	.....	D6/675.4
D560,402	S *	1/2008	Lev	.....	D6/675.1
D580,193	S *	11/2008	Sparkowski	.....	D6/678.4
D591,531	S *	5/2009	Sparkowski	.....	D6/702
D660,052	S *	5/2012	Flores	.....	D6/675.2
D673,390	S *	1/2013	Sparkowski	.....	D6/678.4
D699,986	S *	2/2014	Tsai	.....	D6/675.4
9,004,300	B1 *	4/2015	Morrell	.....	A47F 5/137
					108/107
D747,901	S *	1/2016	Kanagy	.....	D6/673
D752,372	S *	3/2016	Huff	.....	D6/678.4
D753,939	S *	4/2016	Tsai	.....	D6/678.4
D760,033	S *	6/2016	Khaitan	.....	D7/600.4
D762,402	S *	8/2016	Hsu	.....	D6/675.5
D763,020	S *	8/2016	Tsai	.....	D6/678.4

(Continued)

Mar. 12, 2015 (MX) ..... MX/f/2015/000834

- (51) **LOC (10) Cl.** ..... **06-04**
- (52) **U.S. Cl.**

USPC ..... **D6/675.2**

(58) **Field of Classification Search**

USPC ..... D6/315, 317, 319, 329, 673, 675,  
D6/675.1-675.4, 678.4, 680.3, 702;  
D7/571-572, 576-577, 600, 600.1-600.4;  
211/74, 132, 128.1, 150, 187; 108/102,  
108/107, 137; 40/606.03

CPC ..... A47B 73/00; A47B 73/002; A47B 73/004;  
A47B 47/00; A47B 47/0058; A47B  
47/008; A47B 47/25; A47F 5/00; A47F  
5/0056; A47F 5/0062; B65D 21/0211

See application file for complete search history.

(56) **References Cited**

**U.S. PATENT DOCUMENTS**

D162,990	S *	4/1951	Roeder	.....	211/128.1
D191,249	S *	8/1961	Gardner	.....	211/128.1
4,776,472	A *	10/1988	Rosen	.....	A47F 5/103
					108/102

**OTHER PUBLICATIONS**

Certified Mexican Application No. MX/f/2015/000834 filed Mar. 12, 2015, with certified English translation thereof.

*Primary Examiner* — Manpreet Matharu  
*Assistant Examiner* — Keith Wilson  
 (74) *Attorney, Agent, or Firm* — Brinks Gilson & Lione

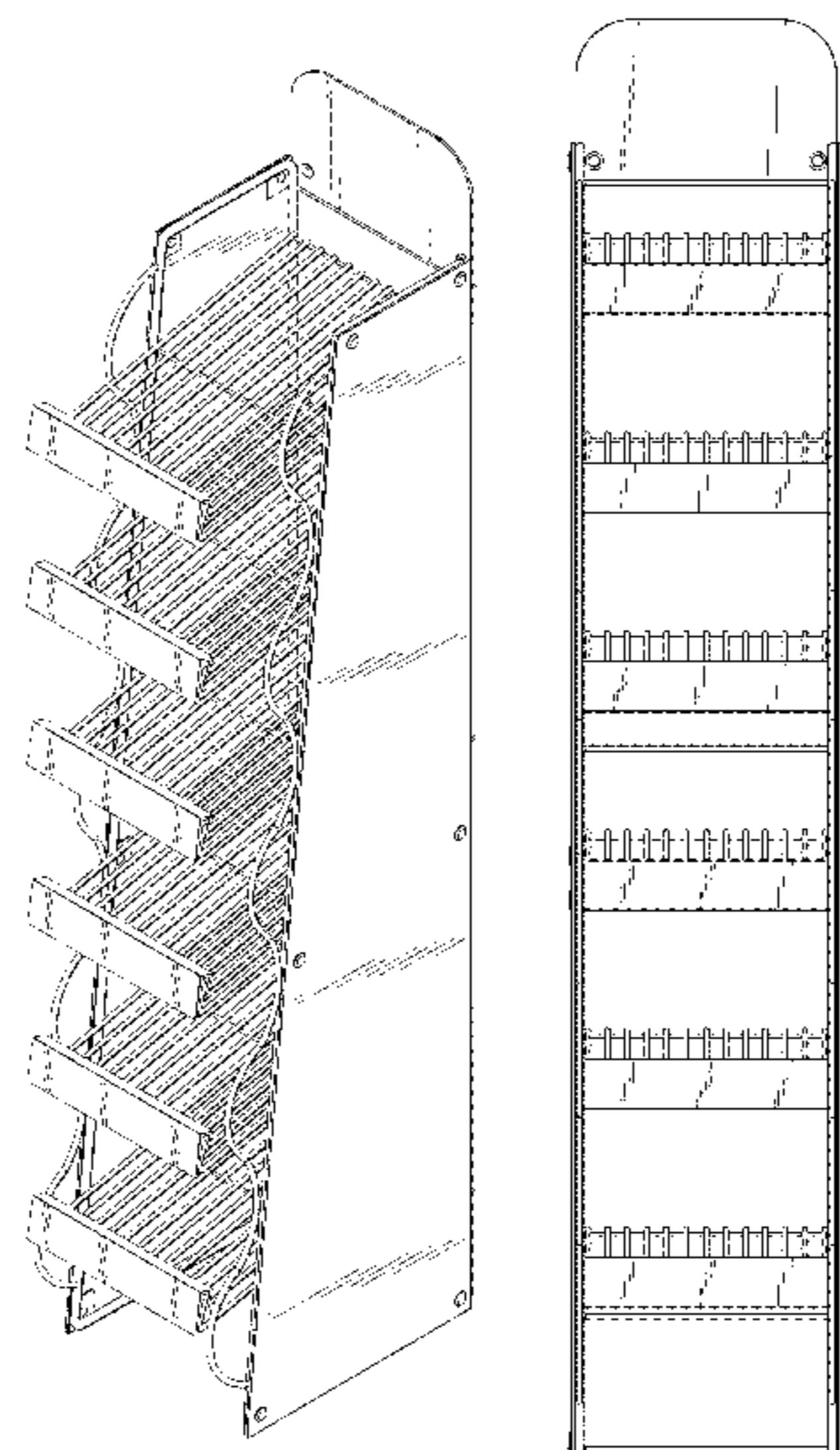
(57) **CLAIM**

The ornamental design for display rack, as shown and described.

**DESCRIPTION**

FIG. 1 is a perspective view of the display rack; FIG. 2 is a right side elevation view thereof, the left side elevation view is a mirror image of the right side; and, FIG. 3 is a rear view thereof.

**1 Claim, 3 Drawing Sheets**



(56)

**References Cited**

U.S. PATENT DOCUMENTS

2010/0006523 A1\* 1/2010 Hogeback ..... A47F 7/28  
211/74  
2014/0230295 A1\* 8/2014 Hawkins ..... A47F 5/0025  
40/606.03

\* cited by examiner

Fig. 1

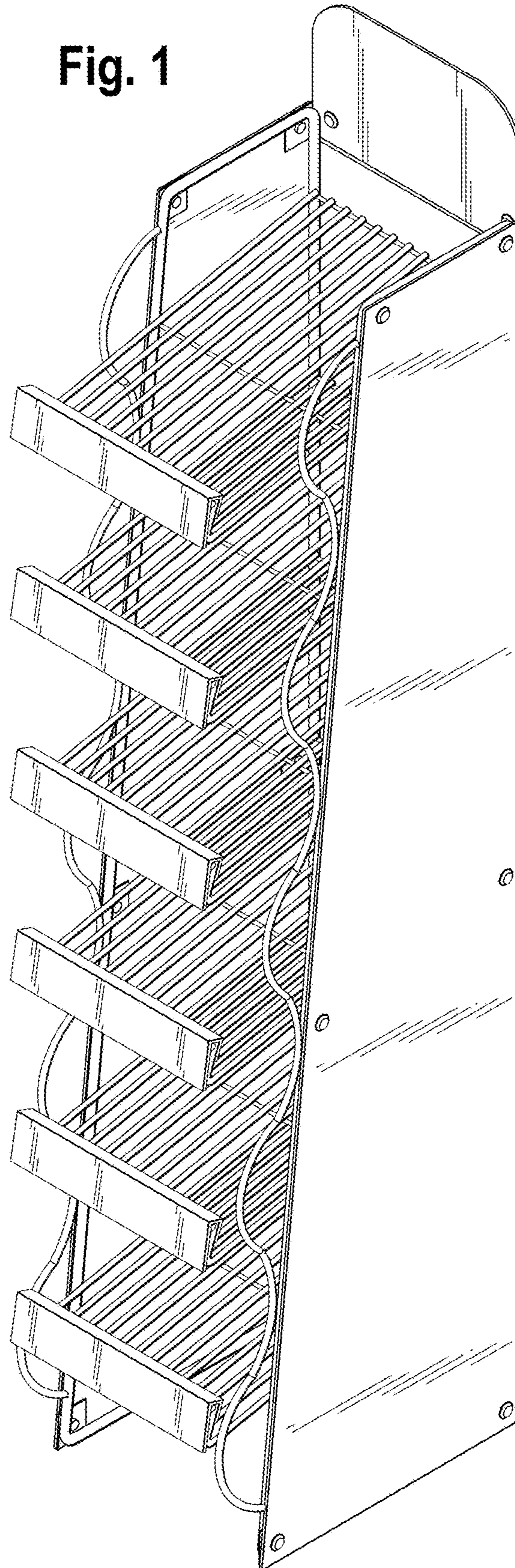


Fig. 2

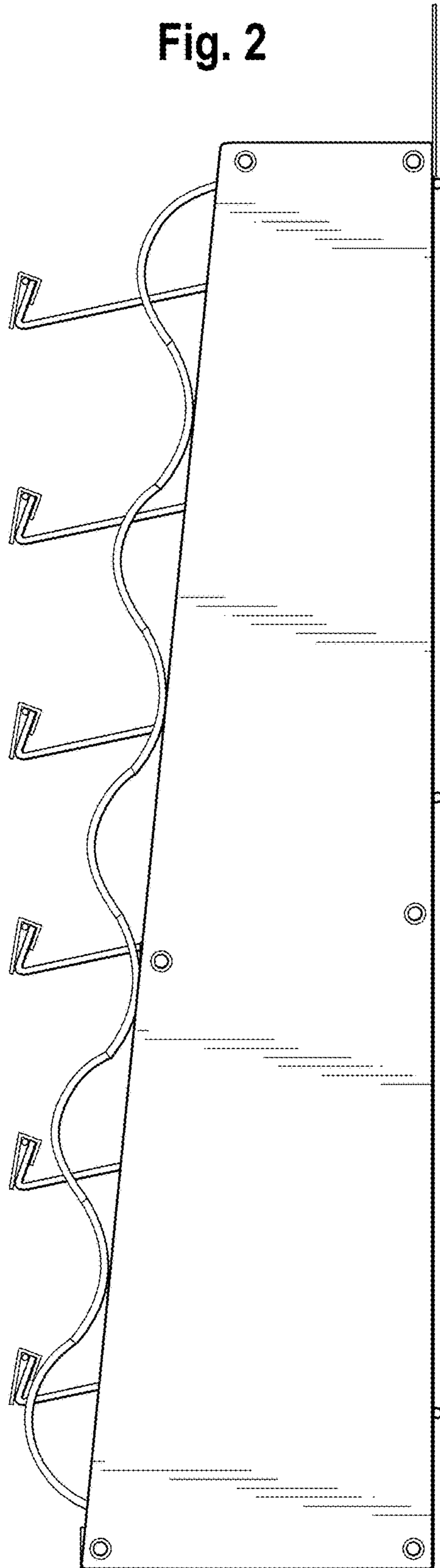


Fig. 3

