



US00D784050S

(12) **United States Design Patent** (10) **Patent No.:** **US D784,050 S**  
**Flaherty et al.** (45) **Date of Patent:** **\*\* Apr. 18, 2017**

(54) **DESK**  
(71) Applicant: **Varidesk, LLC**, Coppel, TX (US)  
(72) Inventors: **Daniel G. Flaherty**, Irving, TX (US);  
**David Patton**, Flower Mound, TX (US)  
(73) Assignee: **Varidesk, LLC**, Coppel, TX (US)  
(\*\*) Term: **14 Years**

D286,353 S \* 10/1986 Robolin ..... D6/641  
D288,876 S \* 3/1987 Goetz ..... D6/675  
4,781,126 A \* 11/1988 Lochridge ..... A47B 21/03  
108/39  
D303,187 S \* 9/1989 Mickelsen ..... D19/113  
4,926,760 A \* 5/1990 Sack ..... B66F 7/0666  
108/145  
D311,291 S \* 10/1990 Ugalde ..... D18/59  
D323,436 S \* 1/1992 Harrison ..... D6/655.14  
D323,437 S \* 1/1992 Hashimoto ..... D6/641  
(Continued)

(21) Appl. No.: **29/512,930**  
(22) Filed: **Dec. 23, 2014**  
(51) **LOC (10) Cl.** ..... **06-03**  
(52) **U.S. Cl.**  
USPC ..... **D6/655**  
(58) **Field of Classification Search**  
USPC ..... D6/641, 642, 696, 696.3, 696.5, 697,  
D6/697.1, 698, 704, 705.1, 707.15, 567,  
D6/572, 574, 685, 686, 655, 662, 653.1,  
D6/653.14; 108/17, 96, 95, 138, 65, 69,  
108/43, 50.01, 50.02, 92, 48  
CPC ..... A47B 1/03; A47B 23/002; A47B 5/06;  
A47B 21/00; A47B 1/00; A47B 1/04;  
A47B 21/06; A47B 17/00; A47B 11/00;  
A47B 21/0314  
See application file for complete search history.

**OTHER PUBLICATIONS**

Notice of Allowance issued Nov. 3, 2016 in Design U.S. Appl. No.  
29/512,873.  
(Continued)

*Primary Examiner* — John Windmuller  
*Assistant Examiner* — Steven Czyz  
(74) *Attorney, Agent, or Firm* — Venable LLP; Steven J.  
Schwarz

(57) **CLAIM**

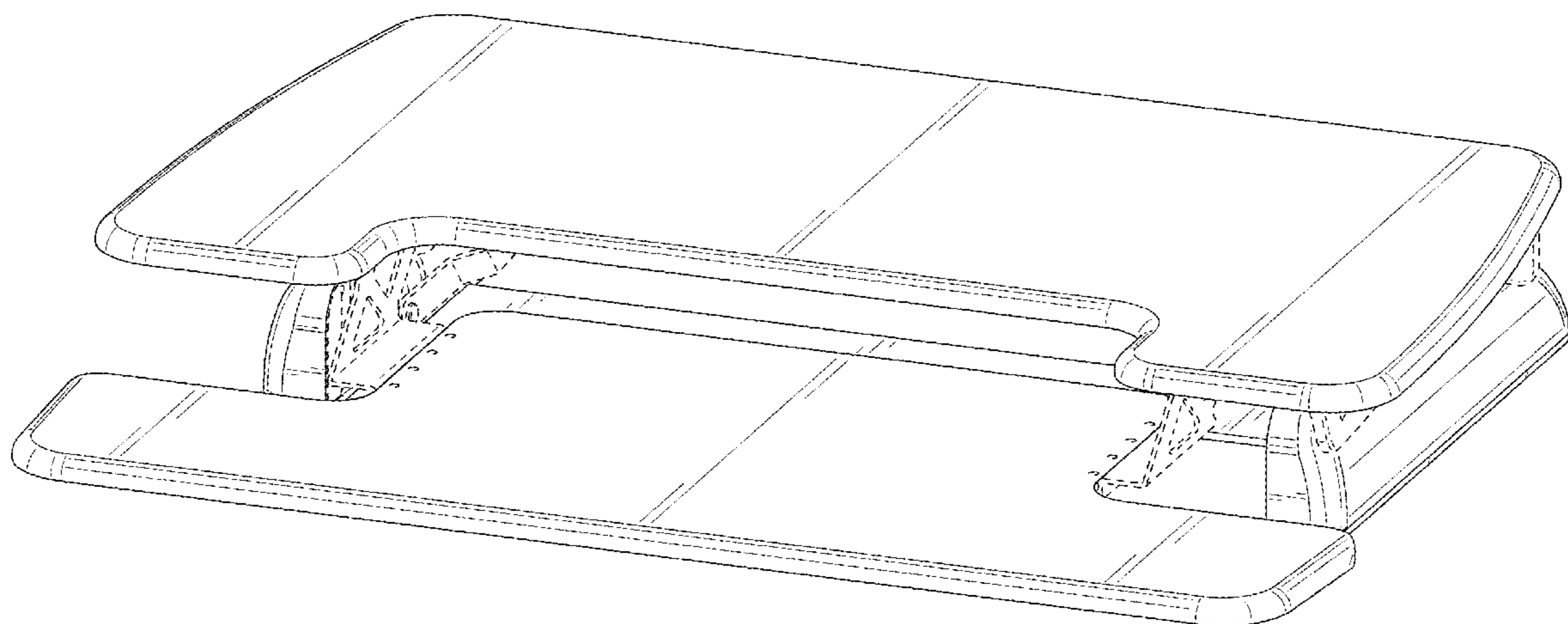
The ornamental design for a desk, as shown and described.

**DESCRIPTION**

FIG. 1 is a front right perspective view of a desk according to the claimed design shown in a lowered position; FIG. 2 is a front view of the desk of FIG. 1; FIG. 3 is a rear view of the desk of FIG. 1; FIG. 4 is a left side view of the desk of FIG. 1; FIG. 5 is a right side view of the desk of FIG. 1; FIG. 6 is a top view of the desk of FIG. 1; and, FIG. 7 is a front-right perspective of the desk of FIG. 1 shown in a raised position. The features shown in broken lines represent portions of the desk which form no part of the claimed design.

**1 Claim, 7 Drawing Sheets**

(56) **References Cited**  
U.S. PATENT DOCUMENTS  
1,824,822 A \* 9/1931 Kradolfer ..... A47B 21/02  
108/97  
2,545,515 A \* 3/1951 Mast ..... A47B 9/00  
108/138  
D166,377 S \* 4/1952 Curtis et al. .... D6/678.2  
3,474,743 A \* 10/1969 Blevins ..... D05B 75/02  
108/129  
D267,374 S \* 12/1982 Karson ..... D6/675  
4,515,086 A \* 5/1985 Kwiecinski ..... A47B 21/0314  
108/104  
D280,478 S \* 9/1985 Stephens ..... D6/641



(56)

## References Cited

## U.S. PATENT DOCUMENTS

- D342,242 S \* 12/1993 Hassel ..... D14/461  
D344,864 S \* 3/1994 Leonard ..... D6/641  
D365,465 S \* 12/1995 Kniefel ..... D6/641  
5,490,466 A \* 2/1996 Diffrient ..... A47B 21/0314  
108/138  
D372,817 S \* 8/1996 Stevens ..... D6/698  
5,549,052 A \* 8/1996 Hoffman ..... A47B 9/00  
108/138  
D395,969 S \* 7/1998 Barlow-Lawson ..... D6/707.15  
5,823,120 A 10/1998 Holmquist  
D424,828 S 5/2000 Ko  
D428,279 S \* 7/2000 Olson ..... D6/707.15  
D435,368 S 12/2000 Tzeng  
D436,268 S \* 1/2001 Ko ..... D6/653.21  
D447,646 S 9/2001 Chang  
D464,212 S 10/2002 Chen  
D486,669 S 2/2004 Wang  
D499,576 S 12/2004 Long  
D530,939 S \* 10/2006 Nakamura ..... D6/654.21  
7,201,108 B2 \* 4/2007 Eusebi ..... A47B 9/18  
108/71  
D583,587 S 12/2008 Lai  
D586,155 S 2/2009 Lenterman  
7,594,475 B1 \* 9/2009 Huang ..... A47B 9/16  
108/10  
D602,290 S \* 10/2009 Erickson ..... D6/704  
7,654,208 B2 \* 2/2010 Patten ..... A47B 46/005  
108/138  
D612,643 S \* 3/2010 Rossini ..... D6/707.15  
8,065,966 B1 11/2011 Bacon et al.  
D652,229 S 1/2012 Madison  
D681,979 S 5/2013 Keen et al.  
D691,223 S 10/2013 Hao  
8,671,853 B2 \* 3/2014 Flaherty ..... 108/138  
D716,074 S \* 10/2014 Kitajima ..... D6/654.21  
D730,668 S \* 6/2015 Fletcher ..... D6/341  
D733,476 S \* 7/2015 Papic ..... D6/655.16  
D734,413 S \* 7/2015 Bettin ..... D21/694  
9,113,703 B2 \* 8/2015 Flaherty  
2003/0116066 A1 \* 6/2003 Ken ..... A47B 9/08  
108/147  
2003/0140822 A1 7/2003 Seiler et al.  
2003/0230222 A1 \* 12/2003 Liu ..... A47B 21/03  
108/50.01  
2004/0040480 A1 \* 3/2004 Hwang ..... A47B 3/02  
108/145  
2005/0039643 A1 \* 2/2005 Dailey ..... A61B 6/0407  
108/132  
2005/0045072 A1 3/2005 Rossini  
2005/0284341 A1 12/2005 Klassy et al.  
2006/0096505 A1 \* 5/2006 Sykes ..... A47B 21/02  
108/50.01  
2007/0163475 A1 \* 7/2007 Murphy ..... A47B 9/00  
108/147  
2008/0072803 A1 3/2008 Korber et al.  
2008/0149000 A1 \* 6/2008 Normand ..... A47B 9/14  
108/4  
2008/0203865 A1 \* 8/2008 Chouinard ..... A47B 21/02  
312/223.3
- 2010/0031855 A1 \* 2/2010 Zhu ..... A47B 23/042  
108/4  
2011/0247532 A1 \* 10/2011 Jones ..... A47B 9/02  
108/147  
2013/0139736 A1 \* 6/2013 Flaherty ..... A47B 9/18  
108/106  
2013/0167757 A1 \* 7/2013 Tsai ..... A47B 9/04  
108/2  
2013/0340655 A1 12/2013 Flaherty  
2014/0020606 A1 1/2014 Benden  
2014/0048671 A1 \* 2/2014 Tsai ..... A47B 27/18  
248/371  
2014/0123883 A1 5/2014 Jennings et al.  
2014/0158026 A1 6/2014 Flaherty  
2015/0272316 A1 \* 10/2015 Flaherty ..... A47B 9/16  
108/116  
2015/0289641 A1 \* 10/2015 Ergun ..... A47B 9/16  
108/42  
2015/0296976 A1 10/2015 Janowski et al.  
2016/0037907 A1 \* 2/2016 Ergun ..... A47B 9/12  
108/147  
2016/0073779 A1 3/2016 Ringlein

## OTHER PUBLICATIONS

Notice of Allowance issued Nov. 8, 2016 in Design U.S. Appl. No. 29/512,858.

Examination Report issued Oct. 14, 2015 in Australian Design Registration No. 363977.

“Pro Plus 48 Height-Adjustable Standing Desk Animation Video”, published on YouTube at: <https://www.youtube.com/watch?v=XKrvByT6ppq8> on Oct. 31, 2014.

“Varidesk Pro Plus 48 Standing Desk”, published on YouTube at: <https://www.youtube.com/watch?v=YLOwdR51XfA> on Nov. 7, 2014.

“Varidesk Pro Plus 48 is massive”, published on Twitter at: <https://twitter.com/johnbristowe/status/545773679653552129> on Dec. 18, 2014.

“Varidesk Pro Plus 48”, published on YouTube at: <https://www.youtube.com/watch?v=UNpGsnQPxAA> on Dec. 22, 2014.

Examination Report issued Aug. 20, 2015 in Australian Patent Application No. 363053.

The ‘Desktop Riser’, published on *YouTube* at: <https://www.youtube.com/watch?v=WB0eI5rQvio> on Oct. 9, 2014.

The ‘Desktop Riser’, published on *Twitter* at <https://twitter.com/pookimum> on Nov. 12, 2014.

The ‘Desktop Riser’, published on <http://standingdeskgeek.com/varidesk-pro-plus-review/> Internet site on Nov. 20, 2014.

Office Action issued Aug. 5, 2016 in Design U.S. Appl. No. 29/512,890.

Notice of Allowance issued Aug. 5, 2016 in Design U.S. Appl. No. 29/512,918.

Notice of Allowance issued Aug. 8, 2016 in Design U.S. Appl. No. 29/512,877.

Office Action issued Aug. 17, 2016 in Design U.S. Appl. No. 29/512,891.

\* cited by examiner



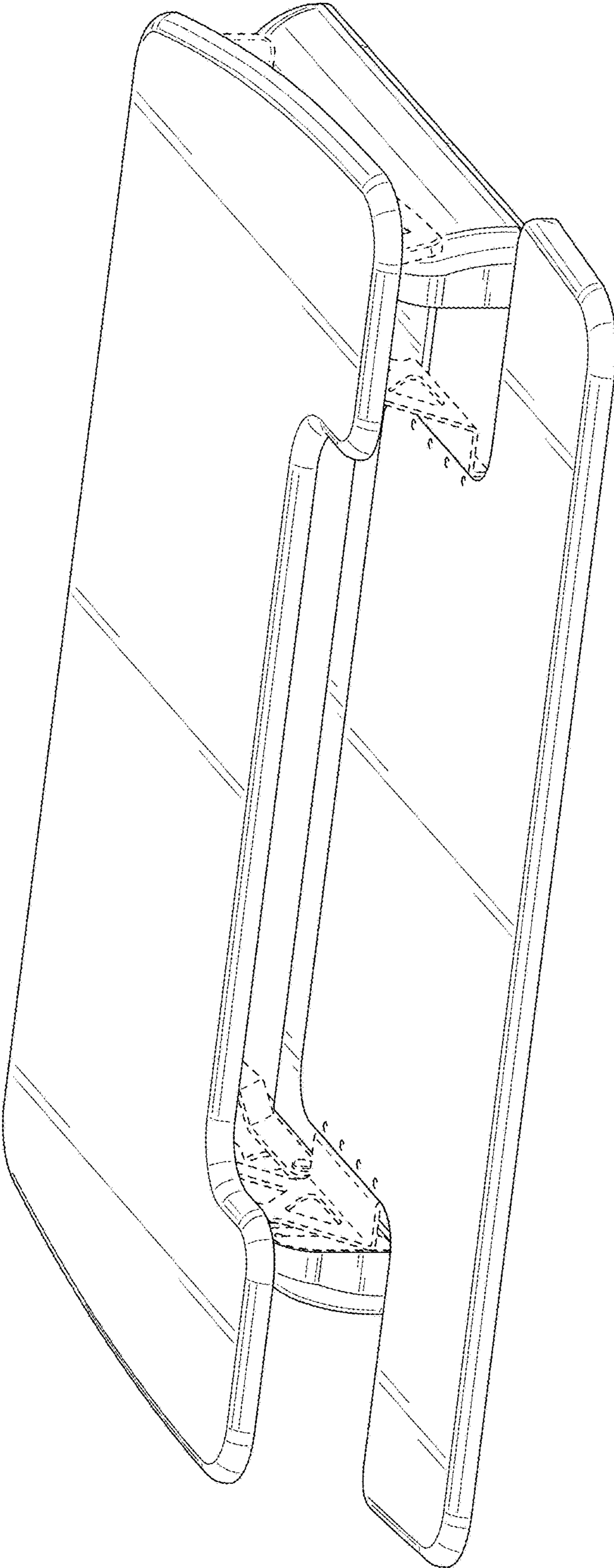


FIG. 1

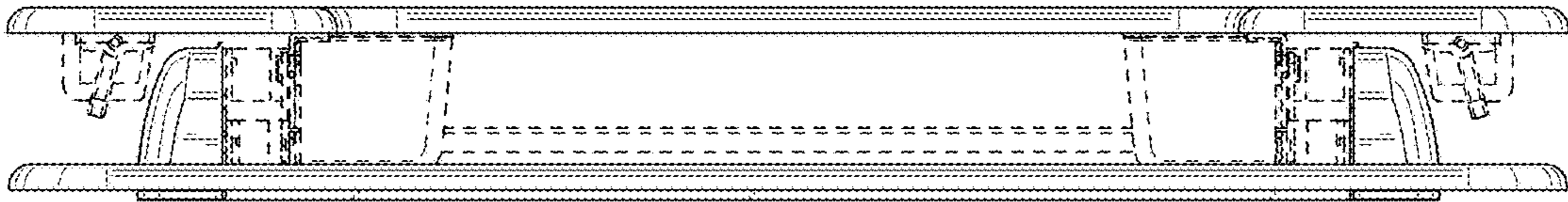


FIG. 2

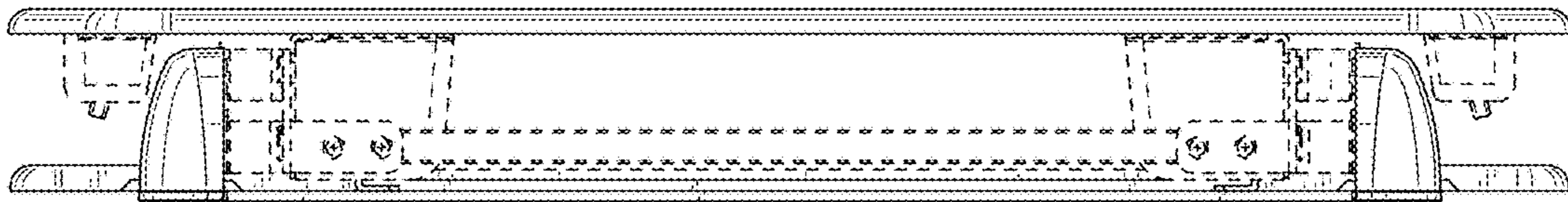


FIG. 3

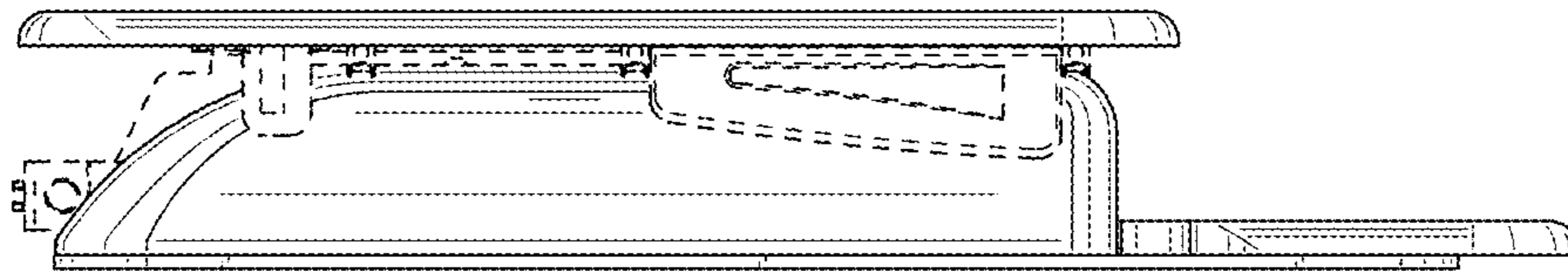


FIG. 4

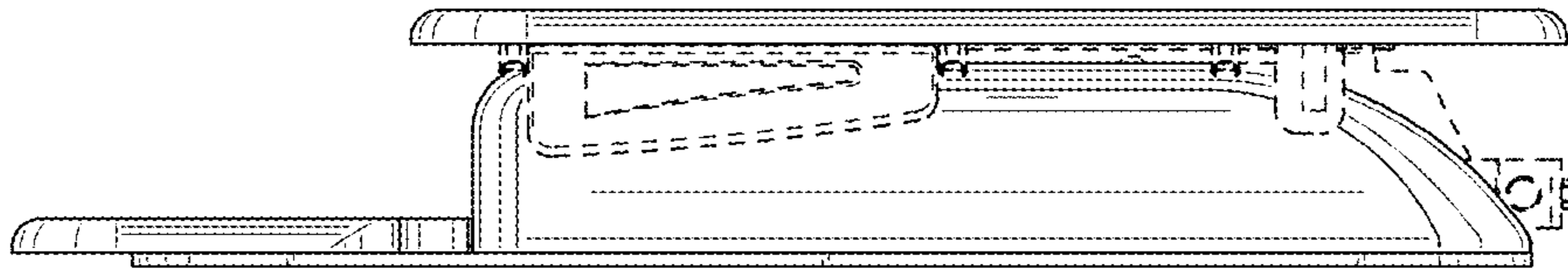


FIG. 5

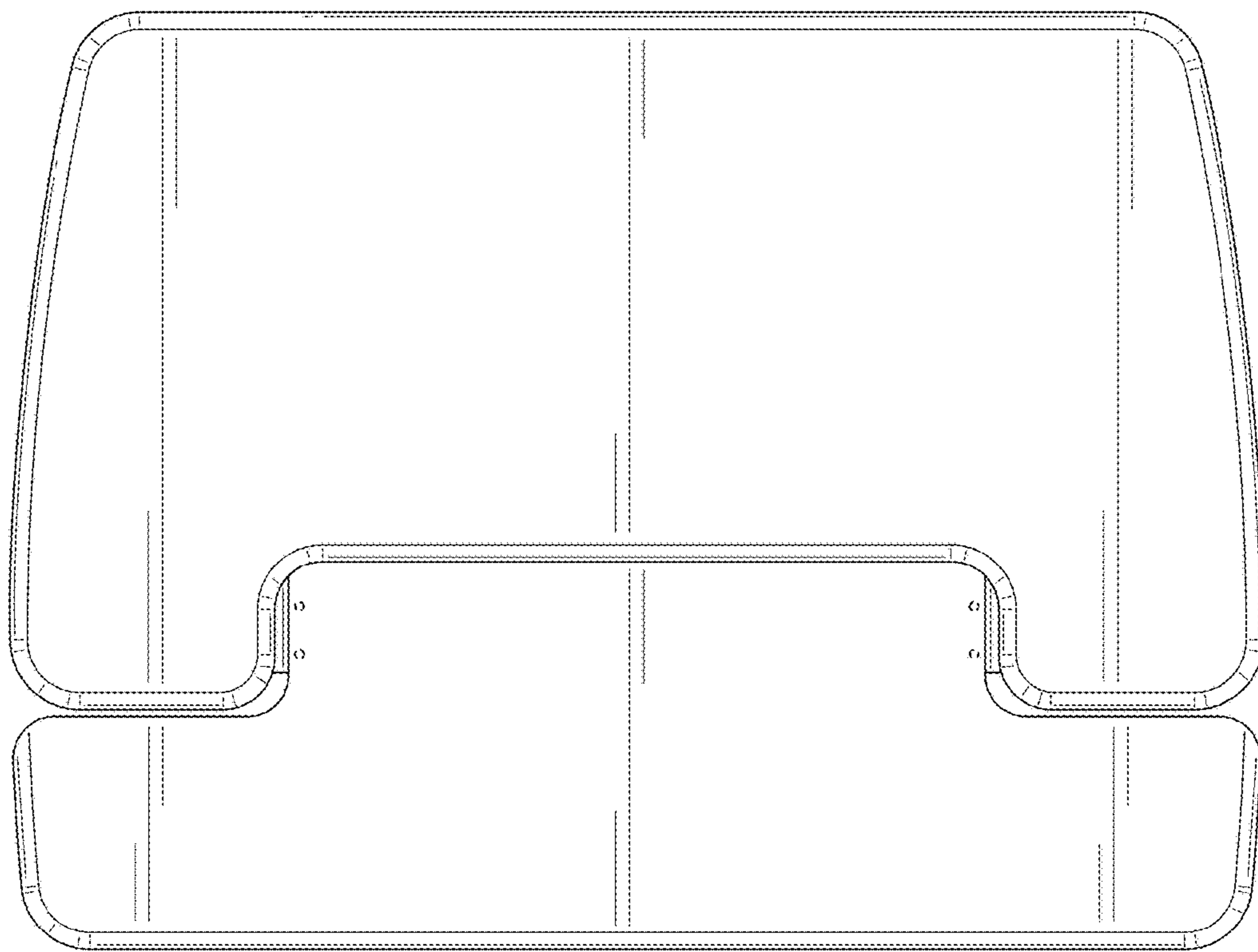


FIG. 6



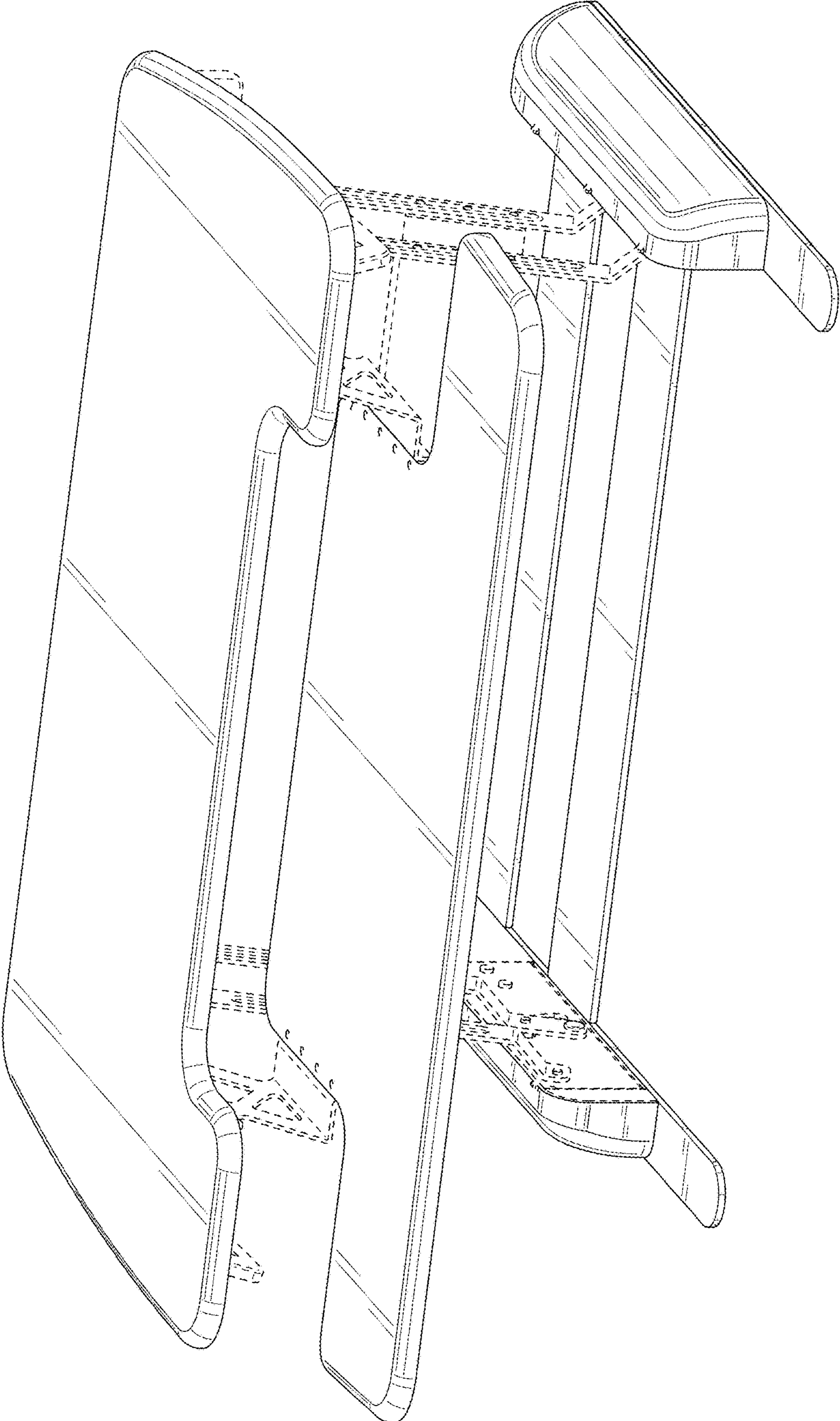


FIG. 7