



US00D784049S

(12) **United States Design Patent**
Labrosse et al.

(10) **Patent No.:** **US D784,049 S**
(45) **Date of Patent:** **** Apr. 18, 2017**

- (54) **DESK**
- (71) Applicant: **STIRWORKS, INC.**, Pasadena, CA (US)
- (72) Inventors: **Jean-Paul Labrosse**, Altadena, CA (US); **Lance Gorbutt Blake**, Los Angeles, CA (US)
- (73) Assignee: **STIRWORKS INC.**, Pasadena, CA (US)
- (**) Term: **14 Years**
- (21) Appl. No.: **29/515,326**
- (22) Filed: **Jan. 21, 2015**
- (51) **LOC (10) Cl.** **06-03**
- (52) **U.S. Cl.**
USPC **D6/650**
- (58) **Field of Classification Search**
USPC .. D6/641, 644, 648, 648.2, 648.4, 649, 650, D6/651, 651.1, 653.21, 654, 654.21, 655, D6/655.1, 655.14, 655.21, 656, 656.16, D6/656.17, 672, 675, 675.3, 685, 691, D6/691.3, 691.5, 691.9, 695, 695.1, 696, D6/697, 698, 705, 332, 555, 643, 643.1, D6/707, 707.18, 707.22
CPC A47B 1/08; A47B 7/00; A47B 9/00; A47B 9/06; A47B 9/12; A47B 9/16; A47B 9/20; A47B 21/00; A47B 21/02; A47B 21/04; A47B 13/088; A47B 13/10; A47B 21/0314; A47B 2021/0321; A47B 2021/0364; A47B 9/10; A47B 9/14
See application file for complete search history.

- D399,077 S * 10/1998 Lepper D6/656.16
- D644,044 S * 8/2011 Kitajima D6/656.17
- D644,855 S * 9/2011 Saito D6/656.17
- D681,979 S * 5/2013 Keen D6/691
- 8,967,579 B2 * 3/2015 Tsai A47B 27/18
248/188.1
- D732,317 S * 6/2015 Chang D6/656.17
- 2014/0096706 A1 * 4/2014 Labrosse A47B 21/02
108/21

(Continued)

OTHER PUBLICATIONS

'Jarvis Powdercoat Desk'. ergodepot.com [online]. Undated [retrieved Aug. 11, 2016]. Retrieved from the Internet: <URL: <https://www.ergodepot.com/jarvis-adjustable-height-desk-powdercoat.html>>.*

(Continued)

Primary Examiner — Mary Ann Calabrese
(74) *Attorney, Agent, or Firm* — Young Basile Hanlon & MacFarlane, P.C.

(57) **CLAIM**

The ornamental design for a desk, as shown and described.

DESCRIPTION

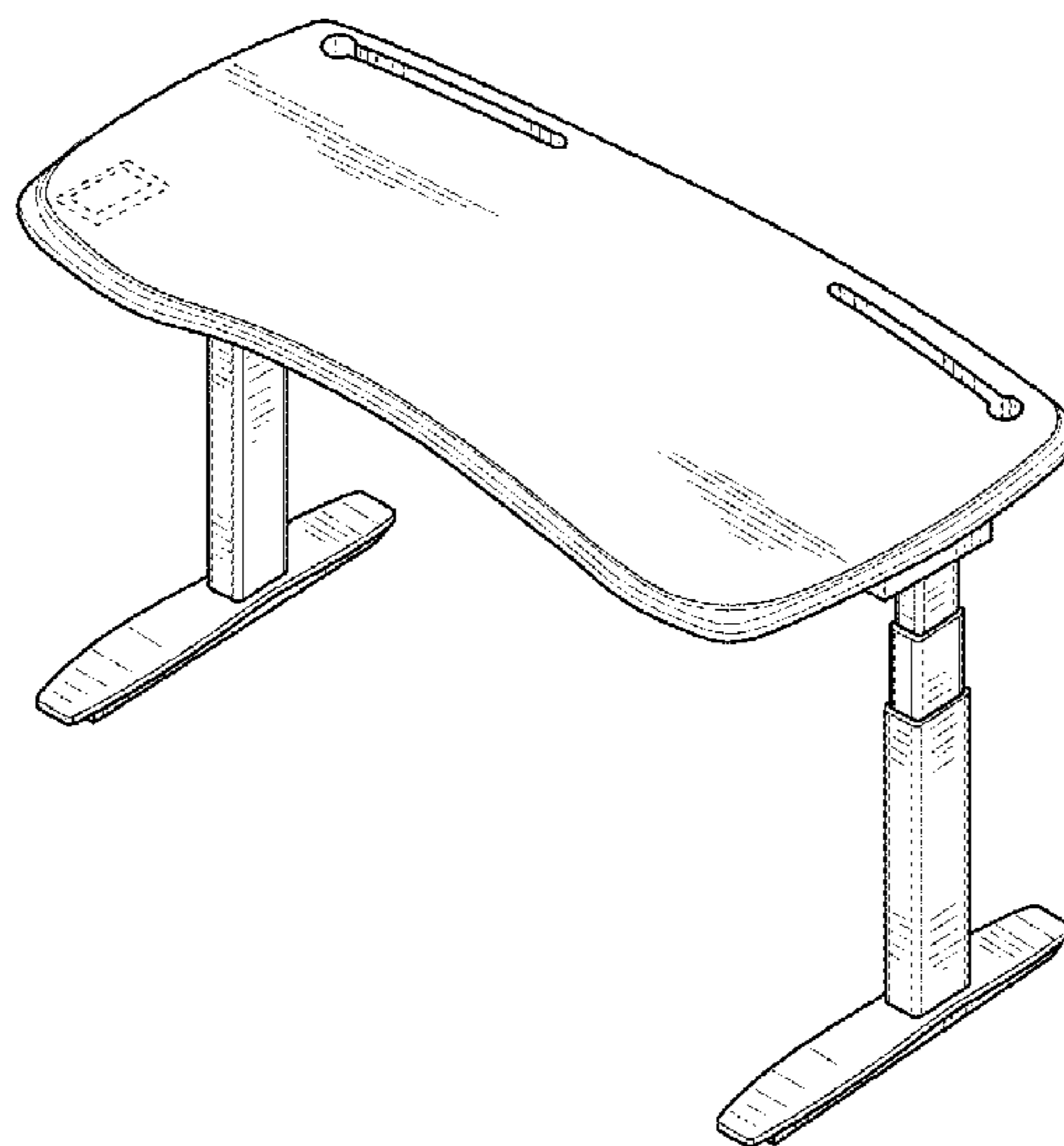
FIG. 1 is a top perspective view of a desk showing the new design;
FIG. 2 is a front elevation view thereof;
FIG. 3 is a right side elevation view thereof, the left side elevation view being a mirror image thereof;
FIG. 4 is a rear elevation view thereof;
FIG. 5 is a top plan view thereof; and,
FIG. 6 is a bottom plan view thereof.
The broken lines shown in the drawings are included for the purpose of illustrating environmental structure and form no part of the claimed design.

(56) **References Cited**

U.S. PATENT DOCUMENTS

- D330,299 S * 10/1992 Saotome D6/656.17
- D390,382 S * 2/1998 Schwartz D6/649

1 Claim, 3 Drawing Sheets



(56)

References Cited

U.S. PATENT DOCUMENTS

2016/0082309 A1* 3/2016 Wu A47B 17/00
482/54
2016/0113391 A1* 4/2016 Wang A47B 21/02
248/605
2016/0170402 A1* 6/2016 Lindstrom A47B 9/00
700/275

OTHER PUBLICATIONS

'Stirworks Kinetic Standing Desk'. industrytap.com [online]. Sep. 29, 2013 [retrieved Aug. 15, 2016]. Retrieved from the Internet: <URL: http://www.industrytap.com/kinetic-desk-takes-a-stand-against-sitting-disease/13968/stir-standing-kinetic-desk_0>.*
'UpDesk PowerUp Standing Desk'. standupdesk.org [online]. Undated [retrieved Aug. 11, 2016]. Retrieved from the Internet: <URL: <http://www.standupdesk.org/product/updesk-powerup-standing-desk/>>.*

* cited by examiner

FIG. 1

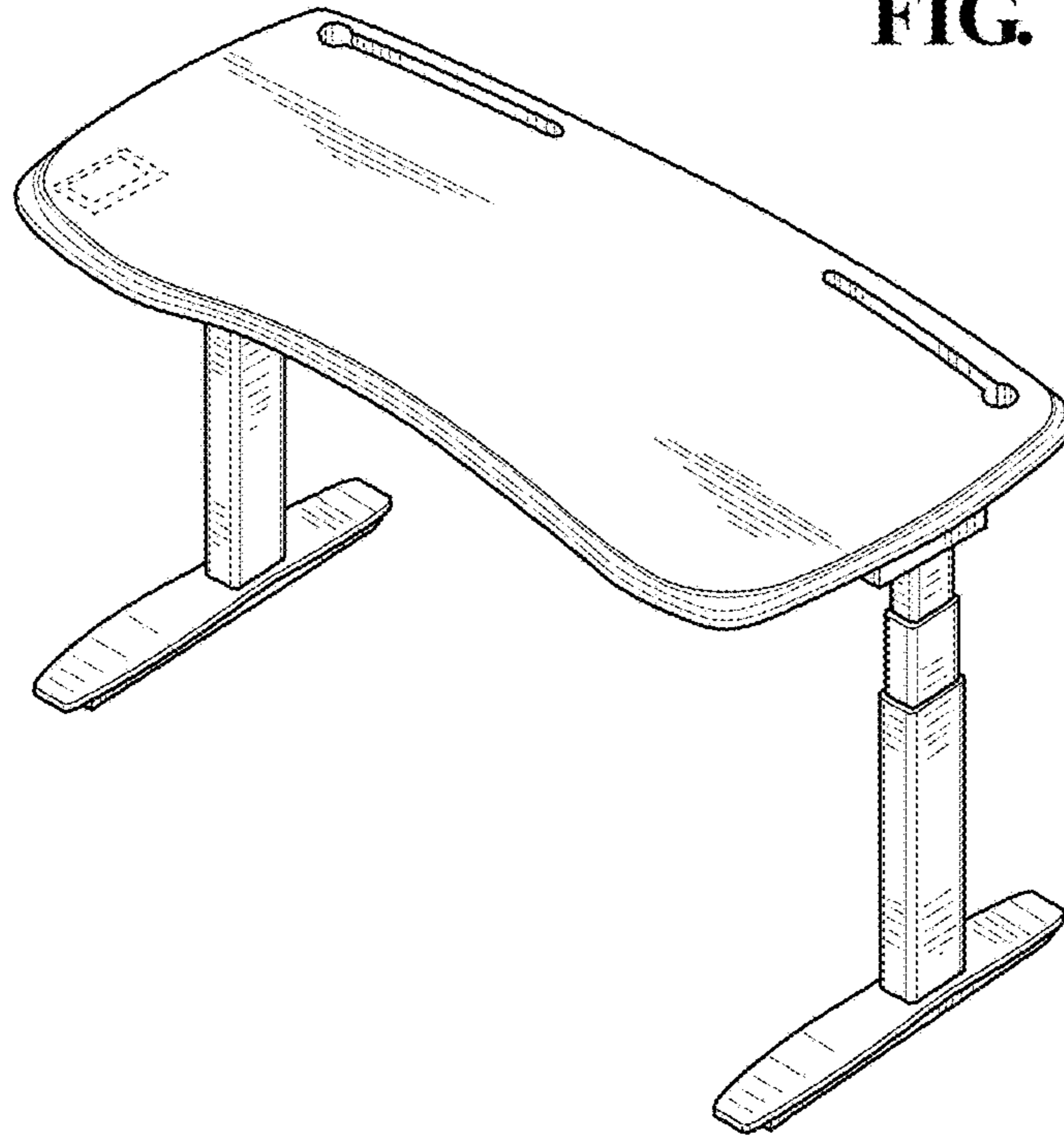
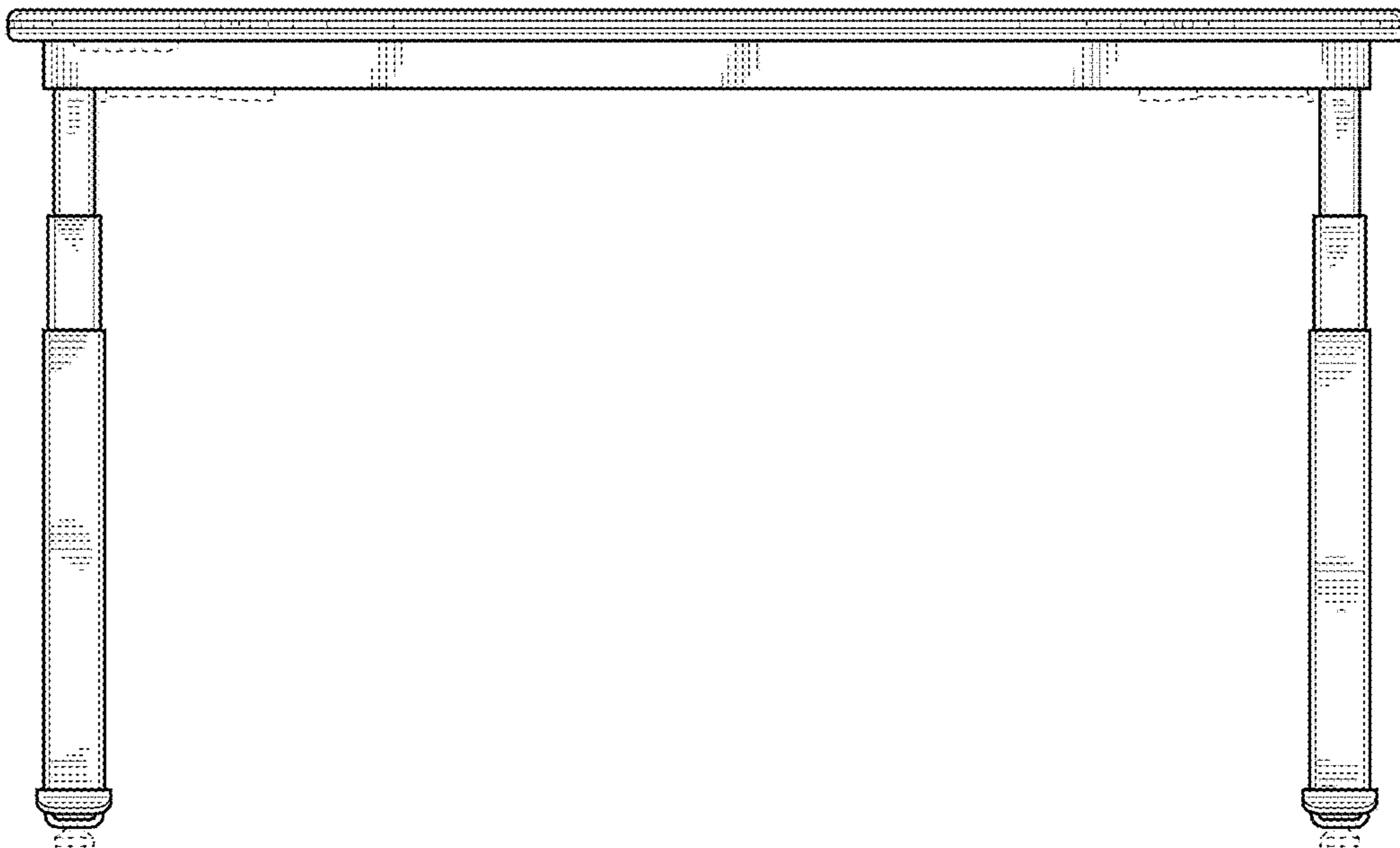


FIG. 2



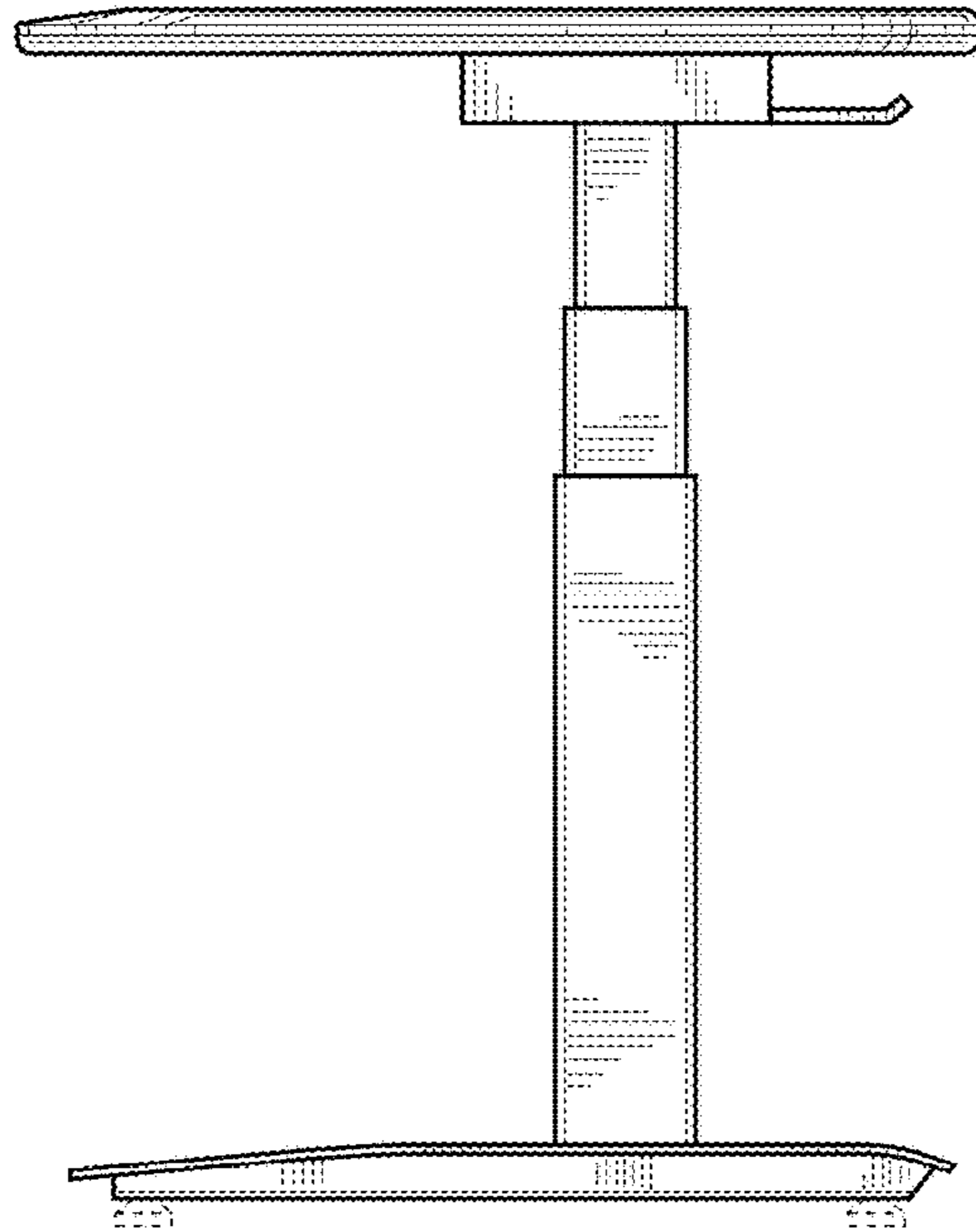


FIG. 3

FIG. 4

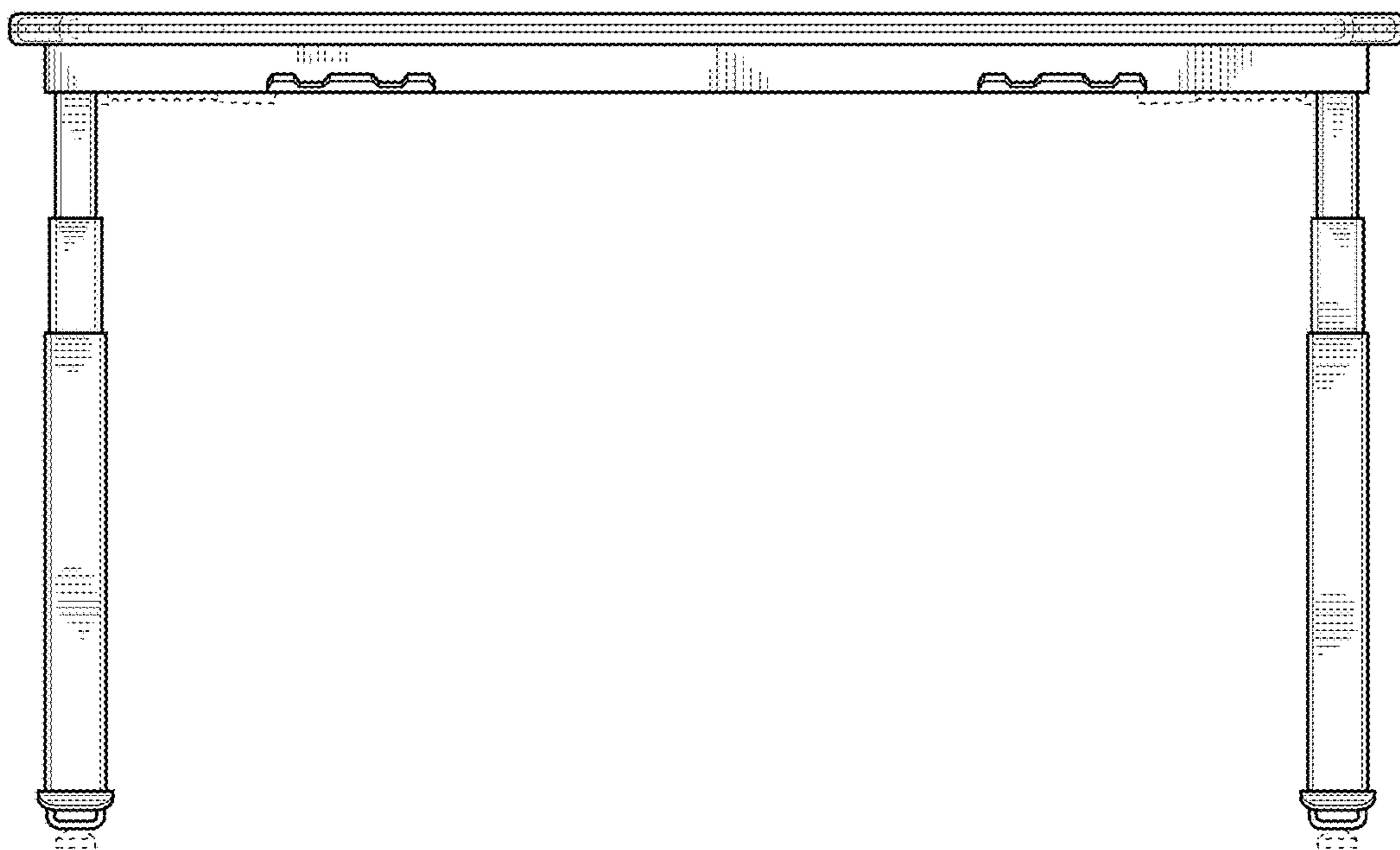


FIG. 5

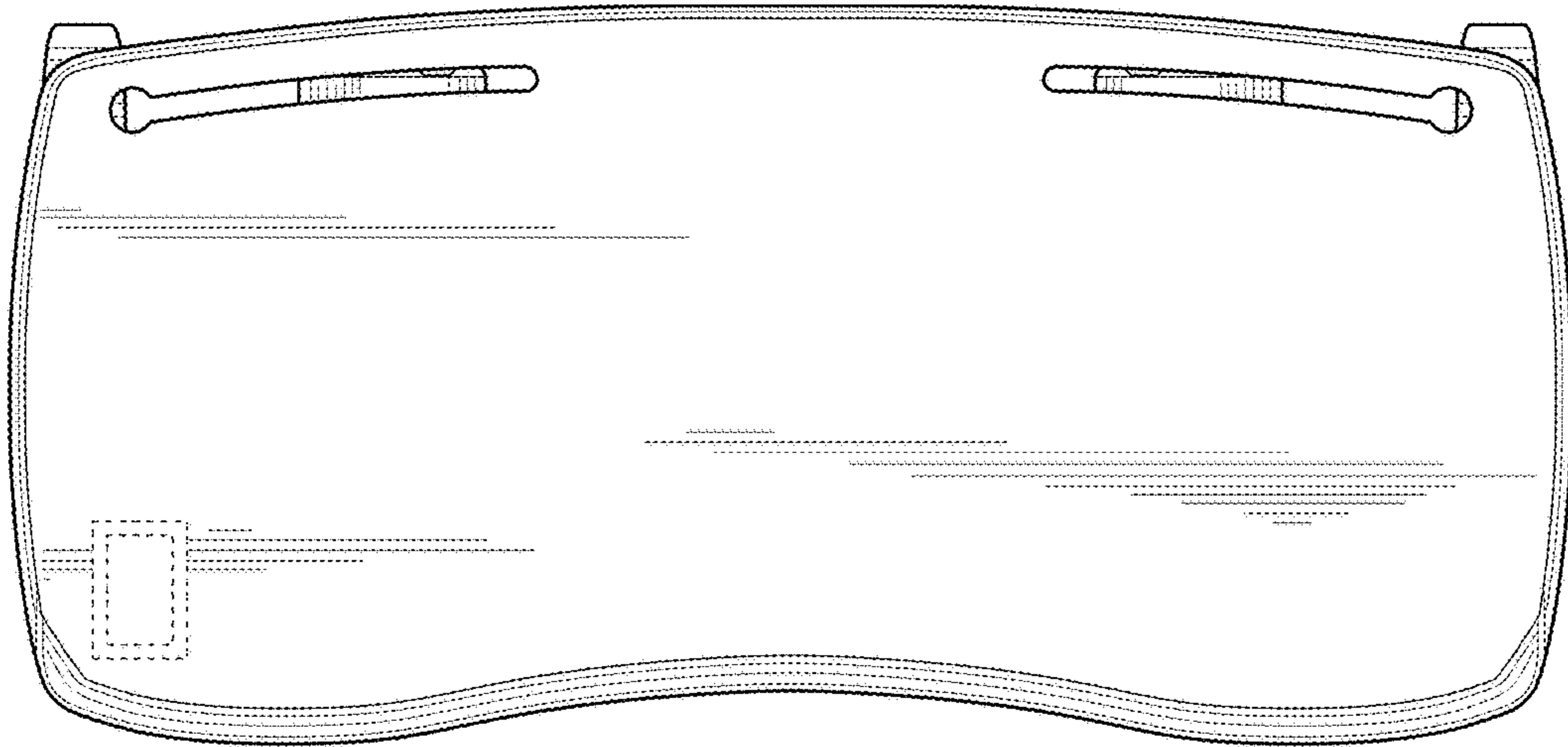


FIG. 6

