



US00D784048S

(12) **United States Design Patent**
Ellingson

(10) **Patent No.:** **US D784,048 S**

(45) **Date of Patent:** **** Apr. 18, 2017**

(54) **STEP COVER**

(71) Applicant: **Robert T. Ellingson**, Social Circle, GA (US)

(72) Inventor: **Robert T. Ellingson**, Social Circle, GA (US)

(73) Assignee: **Reese Enterprises, Inc.**, Covington, GA (US)

(**) Term: **14 Years**

(21) Appl. No.: **29/506,577**

(22) Filed: **Oct. 17, 2014**

(51) **LOC (10) Cl.** **06-11**

(52) **U.S. Cl.**
USPC **D6/582**

(58) **Field of Classification Search**
USPC D2/860; D5/63; D6/582-592, 598, 603, D6/606, 612-614, 617-619, 707.1, D6/707.12, 707.16, 707.18, 707.22; D21/312, 334, 350, 361; D25/68, 69; D32/55, 56, 57; 273/127 B, 277
CPC A47G 11/00; A47G 23/06; A47G 23/08; A47G 23/12; A47G 27/02; A47G 27/025; A47G 27/0275; A47G 27/0281; A47G 27/0287; A47L 23/22; A47L 23/26; A63F 3/00028

See application file for complete search history.

(56) **References Cited**

U.S. PATENT DOCUMENTS

- 161,305 A * 3/1875 Walter 52/179
- 184,013 A * 11/1876 Krickl E04F 11/17 52/179
- 507,725 A * 10/1893 Zimmerman A47G 27/0287 52/179
- 1,373,366 A * 3/1921 Stanwood B60R 3/00 15/237

- 1,522,586 A * 1/1925 Haase 280/169
- 1,622,739 A * 3/1927 Rosenblum E04F 11/17 52/179
- 1,789,875 A * 1/1931 Loudenslager 52/179
- 2,044,407 A * 6/1936 Smith 428/99
- 2,064,134 A * 12/1936 Weiland 52/179
- D112,720 S * 12/1938 Pryale D25/69
- D167,994 S * 10/1952 McKay D12/203
- D263,131 S * 2/1982 Mitchell D12/203
- D389,588 S * 1/1998 Dunk D25/69
- 5,817,399 A * 10/1998 Kalman 428/143

(Continued)

Primary Examiner — Celia Murphy

Assistant Examiner — Clare Ann Gannon

(74) *Attorney, Agent, or Firm* — Smith Tempel Blaha LLC; Matthew T. Hoots

(57) **CLAIM**

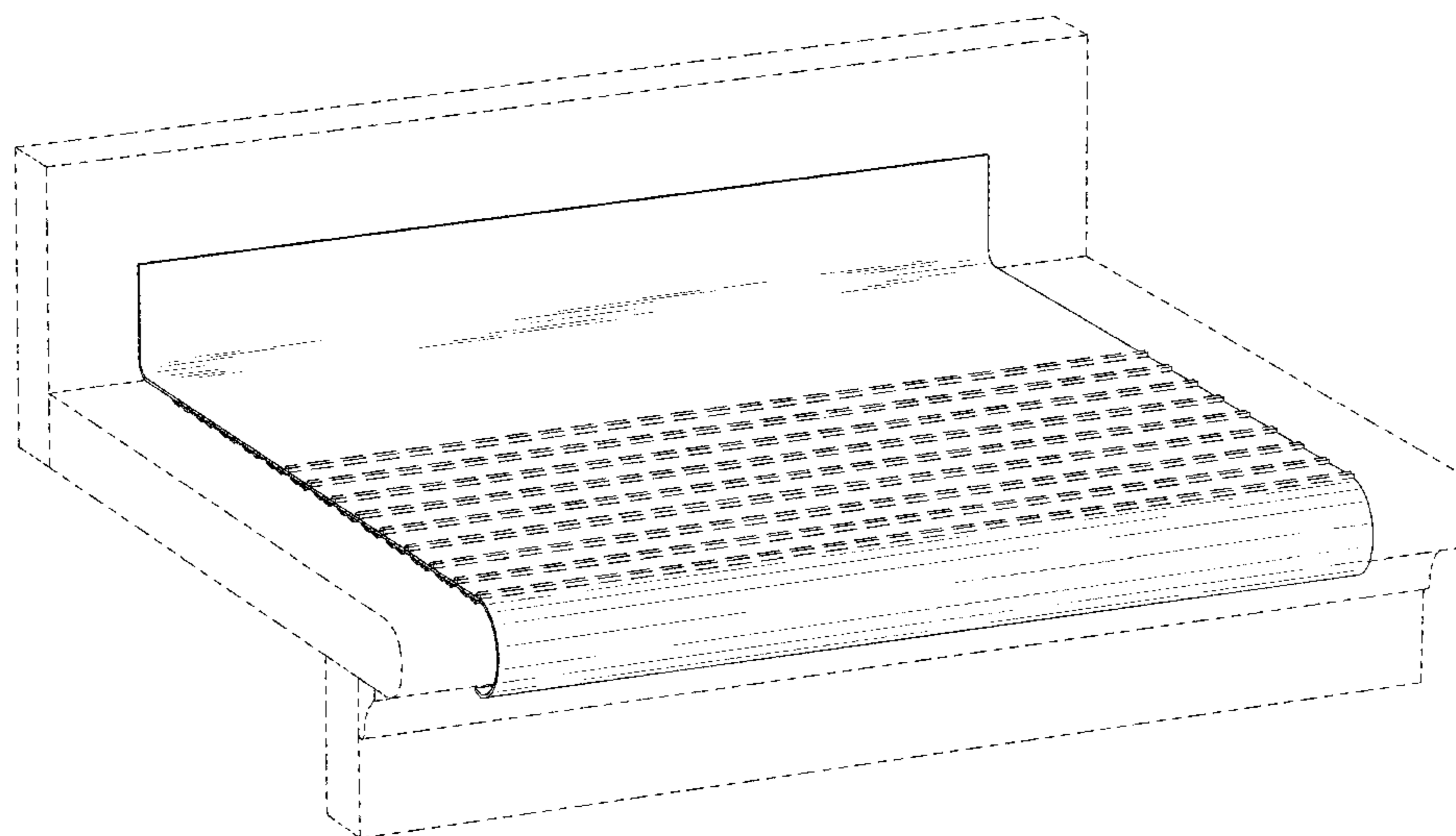
The ornamental design for a step cover, as shown and described.

DESCRIPTION

FIG. 1 is a top and front perspective view of my new ornamental design for a step cover;
 FIG. 2 is an enlarged left-side view, and right-side mirror image, of the step cover shown in FIG. 1;
 FIG. 3 is a top view of the step cover shown in FIG. 1;
 FIG. 4 is a bottom view of the step cover shown in FIG. 1;
 FIG. 5 is an enlarged front view of the step cover shown in FIG. 1;
 FIG. 6 is an enlarged rear view of the step cover shown in FIG. 1; and,
 FIG. 7 is a detailed view of the portion of the step cover circumscribed in FIG. 2.

The dash-dash broken lines in the drawings of the step cover illustrate portions of the step cover that are not claimed. The dash-dot-dot broken lines in the drawings depict unclaimed environment and form no part of the claimed design.

1 Claim, 6 Drawing Sheets



(56)

References Cited

U.S. PATENT DOCUMENTS

6,088,976	A *	7/2000	Roy	A47G 27/0287	
					52/177
6,318,033	B1 *	11/2001	Birch et al.		52/182
D519,648	S *	4/2006	Enersen		D25/69
D595,079	S *	6/2009	Preda		D6/582
D655,554	S *	3/2012	Preda		D6/582
D685,503	S *	7/2013	Gardner		D25/119
D704,960	S *	5/2014	McCool		D6/582
D733,326	S *	6/2015	Gribble		D25/69
D755,538	S *	5/2016	Robbins, III		D6/585
2003/0101665	A1 *	6/2003	Preda	A47G 27/0287	
					52/179
2005/0284043	A1 *	12/2005	Sorenson, Jr.		52/182
2006/0230693	A1 *	10/2006	Giordano		52/182
2006/0260224	A1 *	11/2006	Grenier		52/182
2008/0254253	A1 *	10/2008	Gallager		428/86
2009/0277104	A1 *	11/2009	McCool		52/179

* cited by examiner

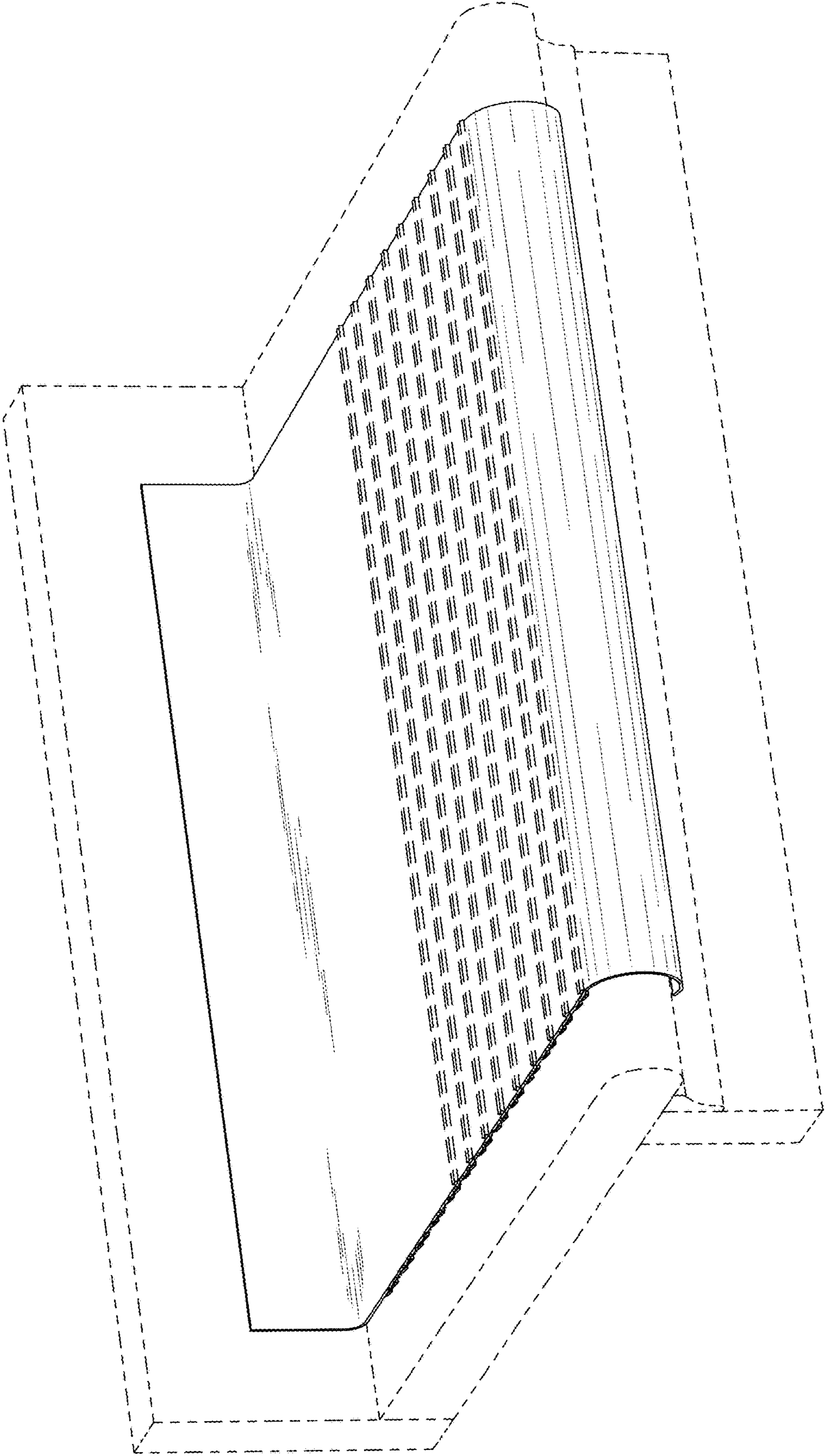


FIG. 1

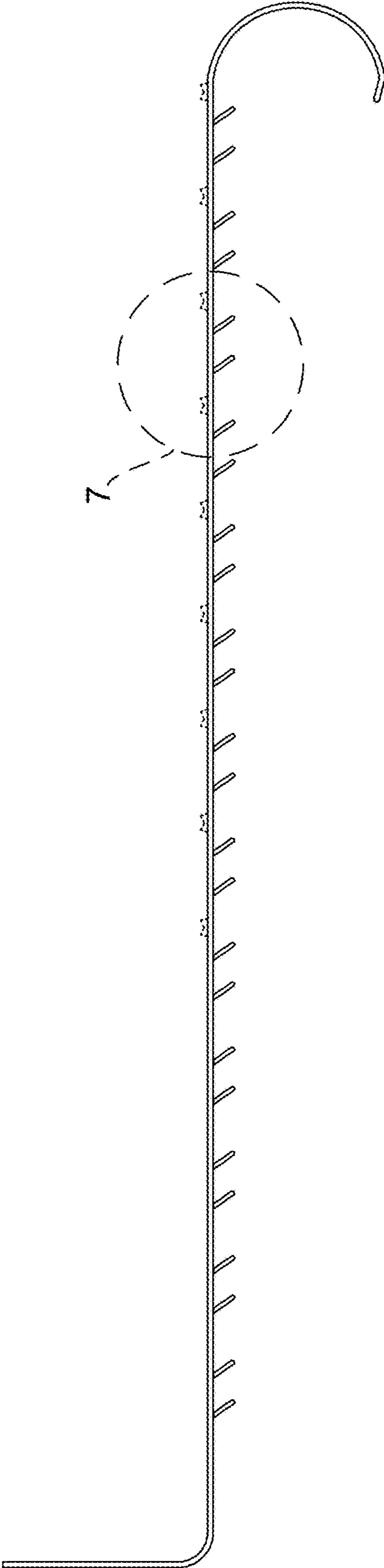


FIG. 2

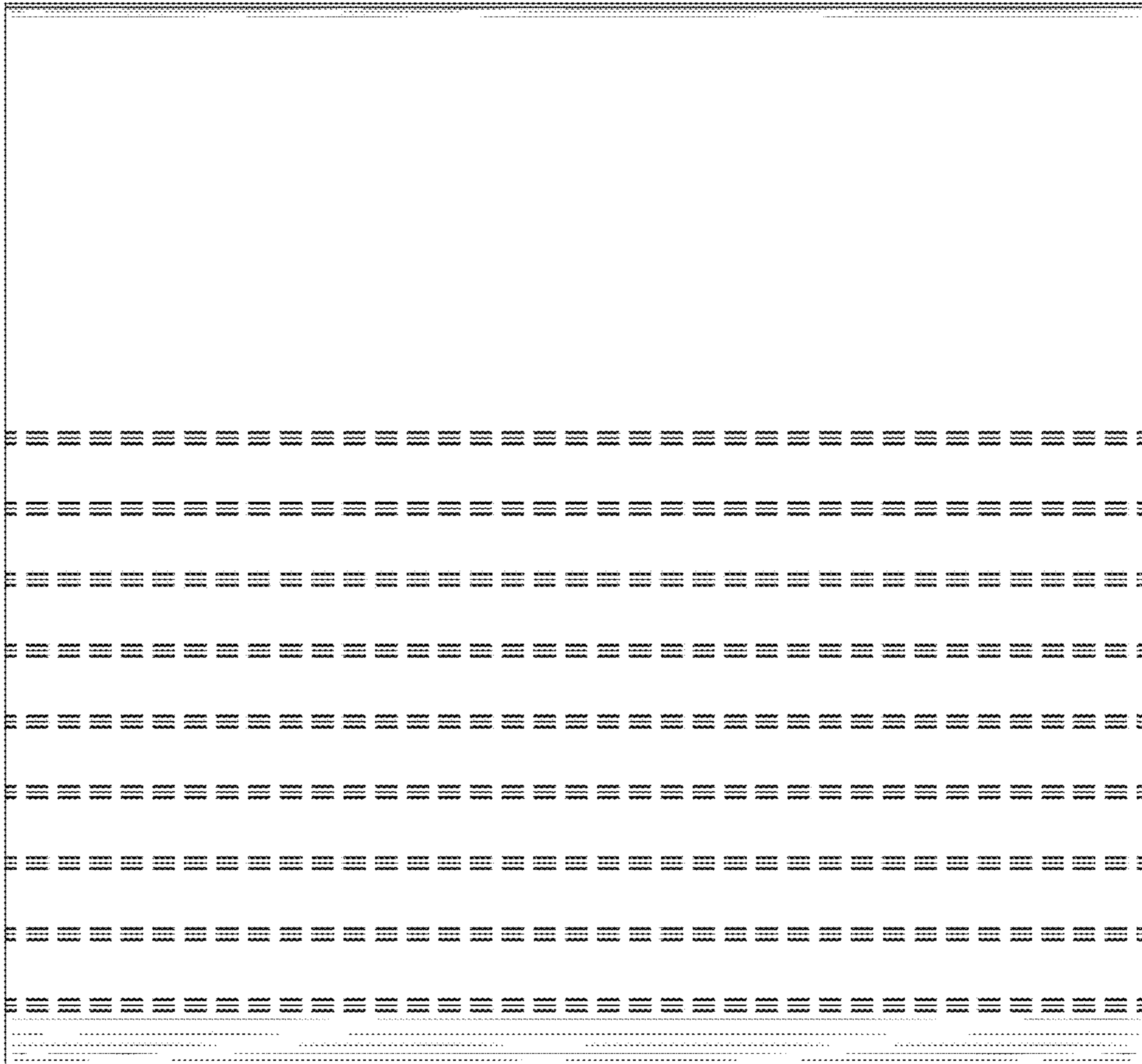


FIG. 3

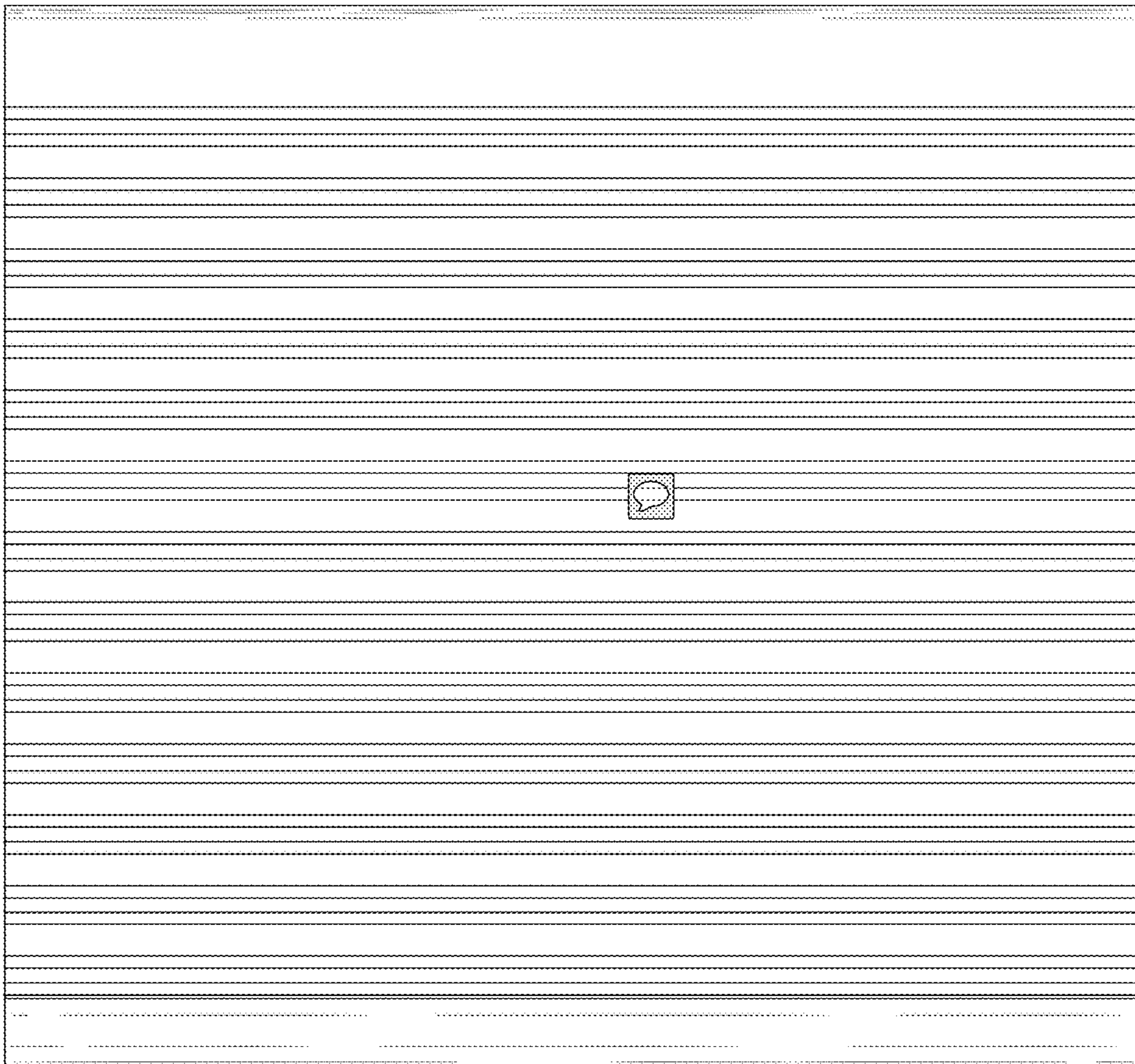


FIG. 4

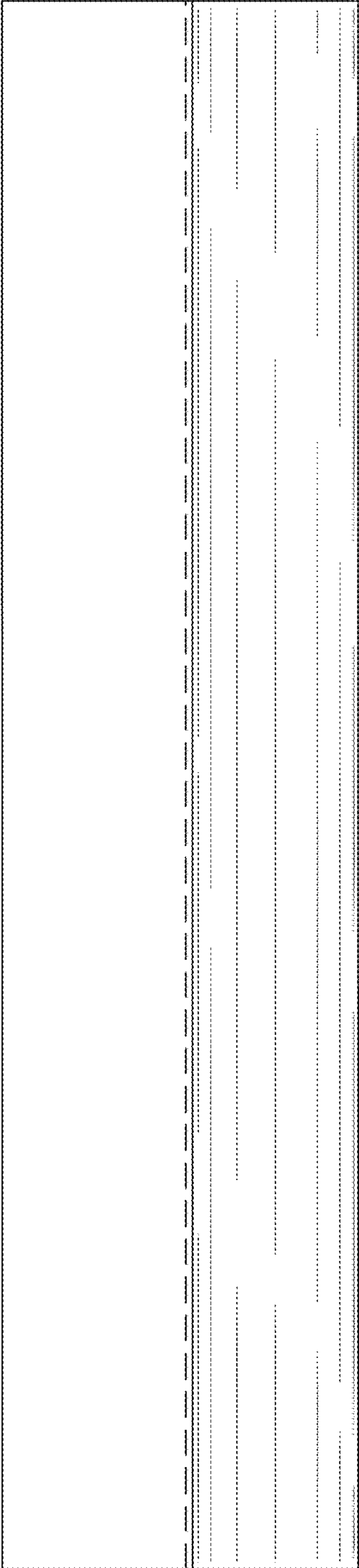


FIG. 5

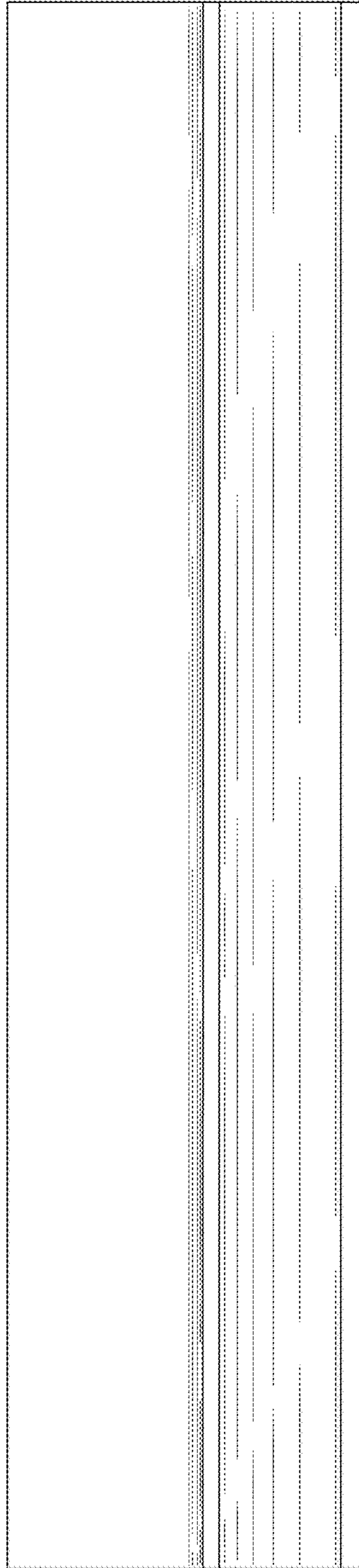


FIG. 6

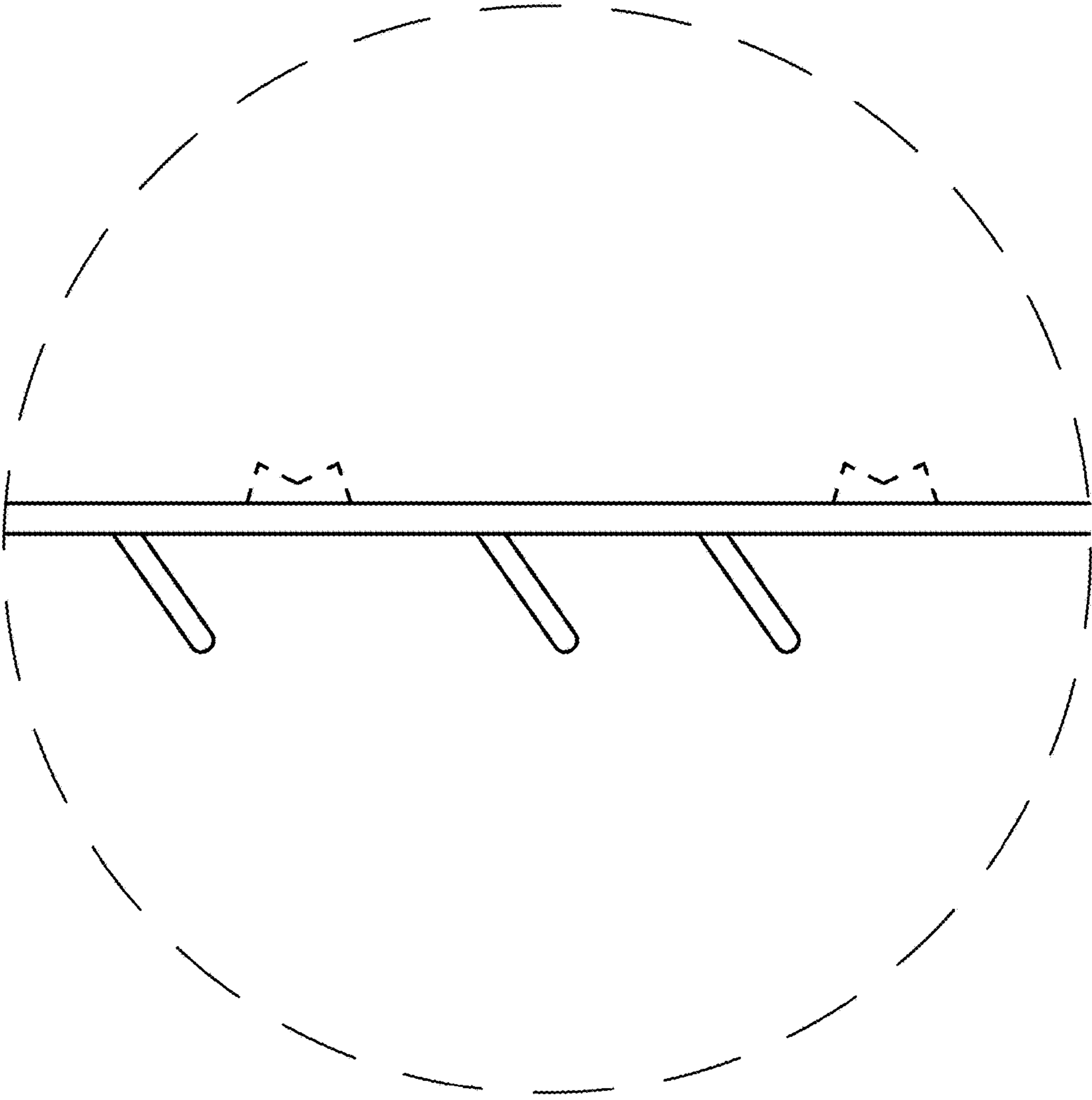


FIG. 7