



US00D784046S

(12) **United States Design Patent**
Goodman et al.

(10) **Patent No.:** **US D784,046 S**

(45) **Date of Patent:** **** Apr. 18, 2017**

(54) **KEY RACK**

(71) Applicant: **Spectrum Diversified Designs, LLC**,
Streetsboro, OH (US)

(72) Inventors: **Sheldon H. Goodman**, Solon, OH
(US); **Phaysouk Xayoiphonh**, Akron,
OH (US); **Courtney K. Wilson**,
Chardon, OH (US)

(73) Assignee: **Spectrum Diversified Designs, LLC**,
Streetsboro, OH (US)

(**) Term: **15 Years**

(21) Appl. No.: **29/550,824**

(22) Filed: **Jan. 7, 2016**

(51) **LOC (10) Cl.** **06-04**

(52) **U.S. Cl.**

USPC **D6/572**

(58) **Field of Classification Search**

USPC D6/572, 315, 320, 327, 512-514, 553,
D6/566, 567, 569, 601; D8/349, 354,
D8/367, 372; D19/75-80, 86, 87, 89-92;
206/215, 425, 556, 557; 211/10, 11,
211/13.1, 30, 32, 42, 45, 50, 56.01, 70.6,
211/87.01, 88.01, 106, 126.1, 181.1;
248/301-305, 309.1, 309.2, 339
CPC A47B 17/03; A47G 29/10; F16M 13/02
See application file for complete search history.

(56) **References Cited**

U.S. PATENT DOCUMENTS

D575,973	S	*	9/2008	Goodman	D6/566
D666,856	S	*	9/2012	Goodman	D6/566
D666,859	S	*	9/2012	Goodman	D6/566
D667,250	S	*	9/2012	Goodman	D6/566
D705,577	S	*	5/2014	Goodman	D6/566

D707,539	S	*	6/2014	Goodman	D8/372
D764,263	S	*	8/2016	Goodman	D8/370
D764,264	S	*	8/2016	Goodman	D8/372

* cited by examiner

Primary Examiner — Wan Laymon

Assistant Examiner — Mark Booker

(74) *Attorney, Agent, or Firm* — Benesch, Friedlander,
Coplan & Aronoff LLP

(57) **CLAIM**

What is claimed is the ornamental design for a key rack, as shown and described.

DESCRIPTION

FIG. 1 is a perspective view of a key rack showing a new design;

FIG. 2 is a front view of the key rack of FIG. 1;

FIG. 3 is a rear view of the key rack of FIG. 1;

FIG. 4 is a right side view of the key rack of FIG. 1;

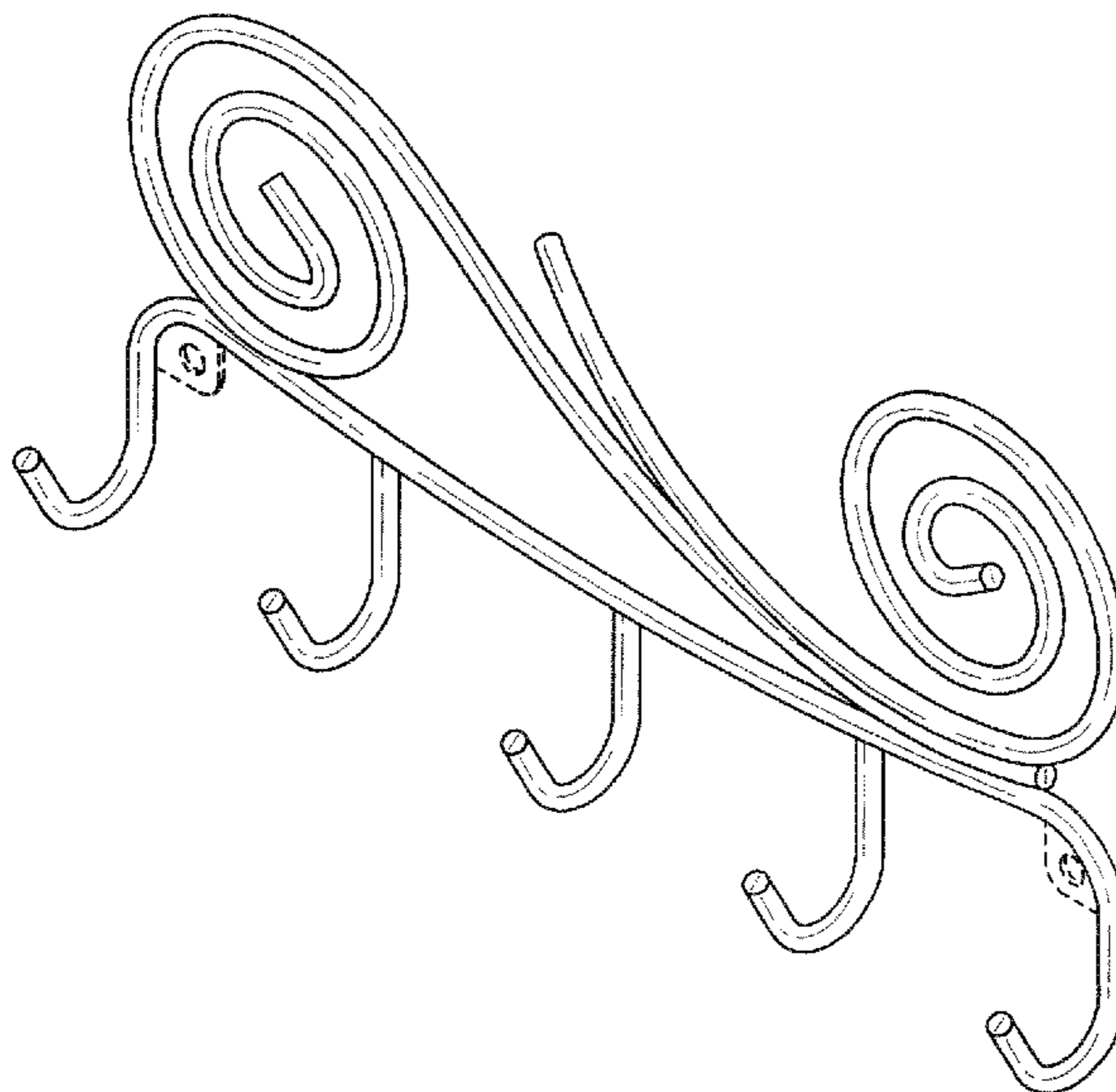
FIG. 5 is a left side view of the key rack of FIG. 1;

FIG. 6 is a top view of the key rack of FIG. 1; and,

FIG. 7 is a bottom view of the key rack of FIG. 1.

The components of the display shown in broken lines illustrate portions of the key rack form no part of the claimed design.

1 Claim, 4 Drawing Sheets



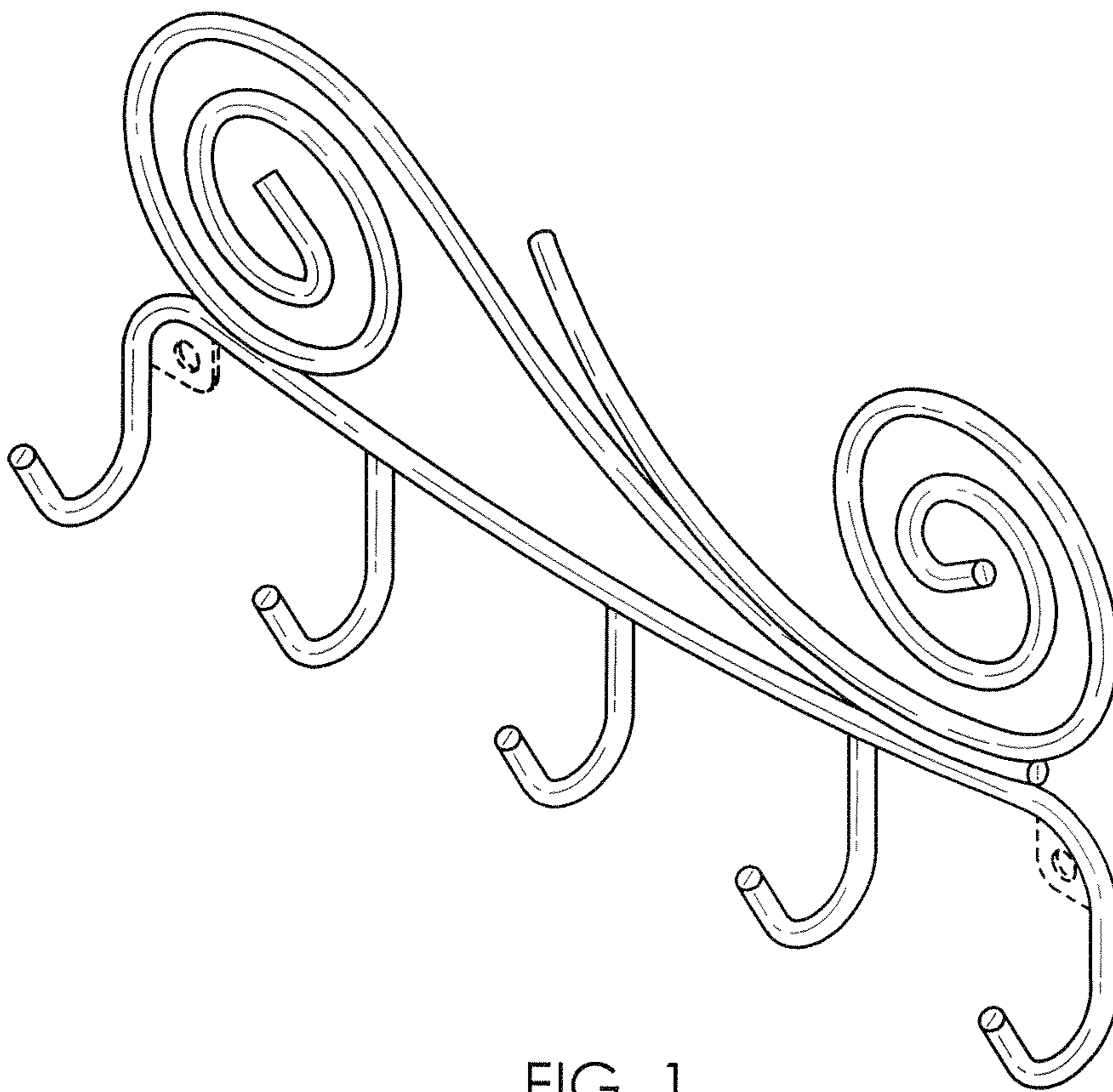


FIG. 1

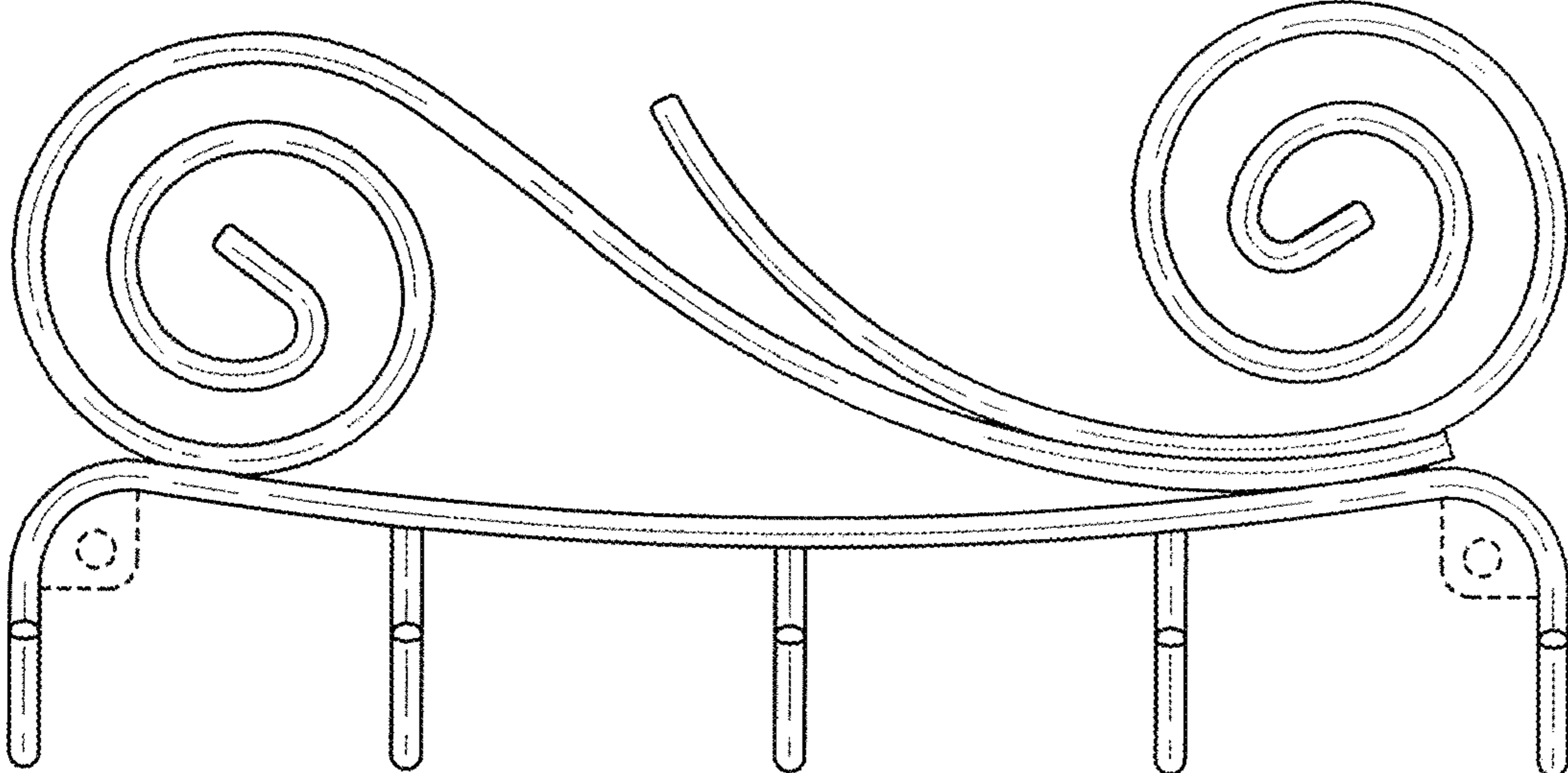


FIG. 2

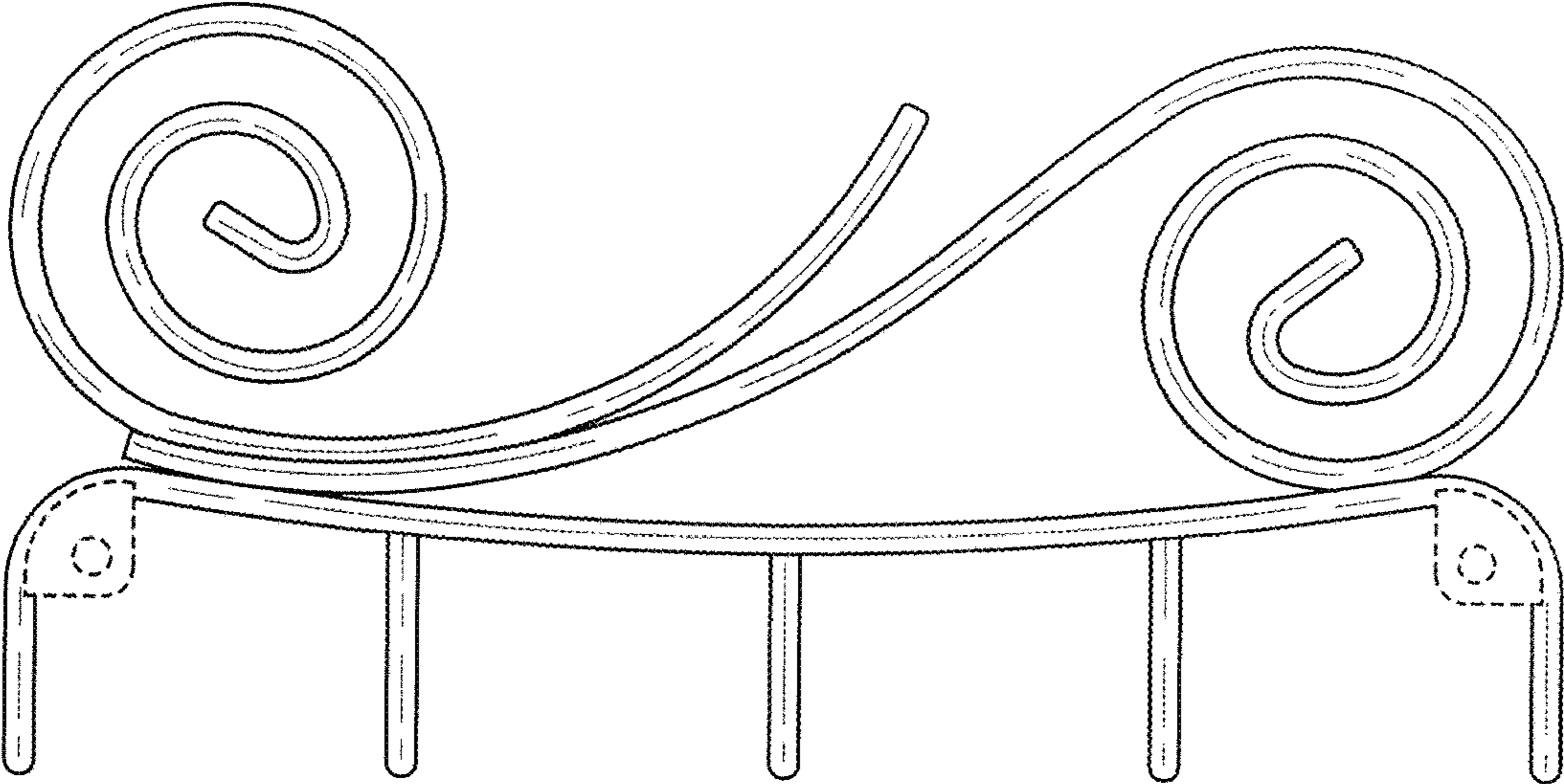


FIG. 3

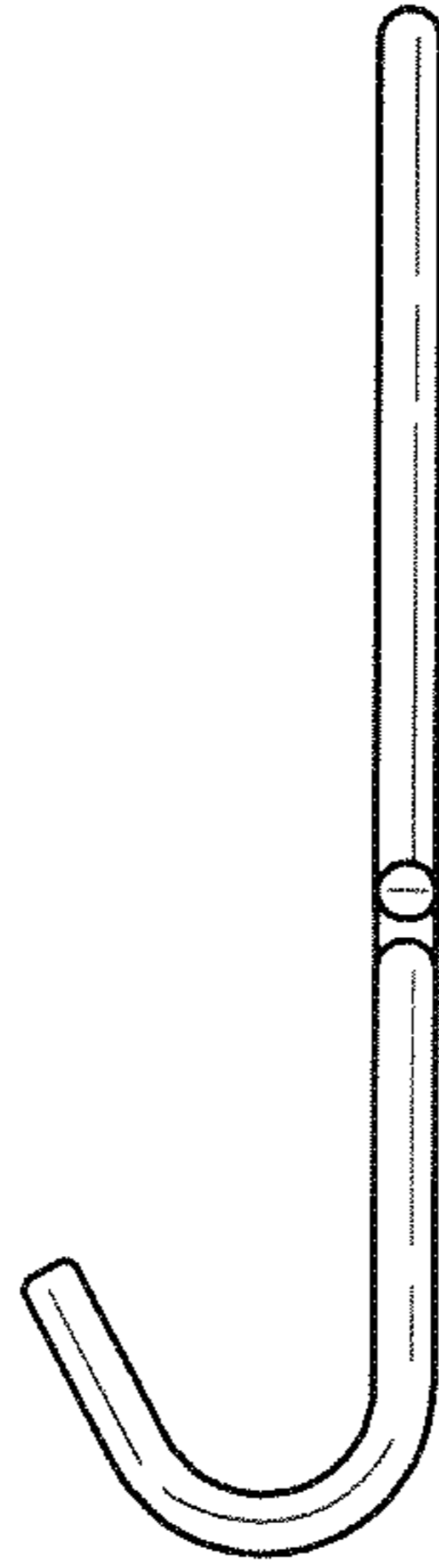


FIG. 4

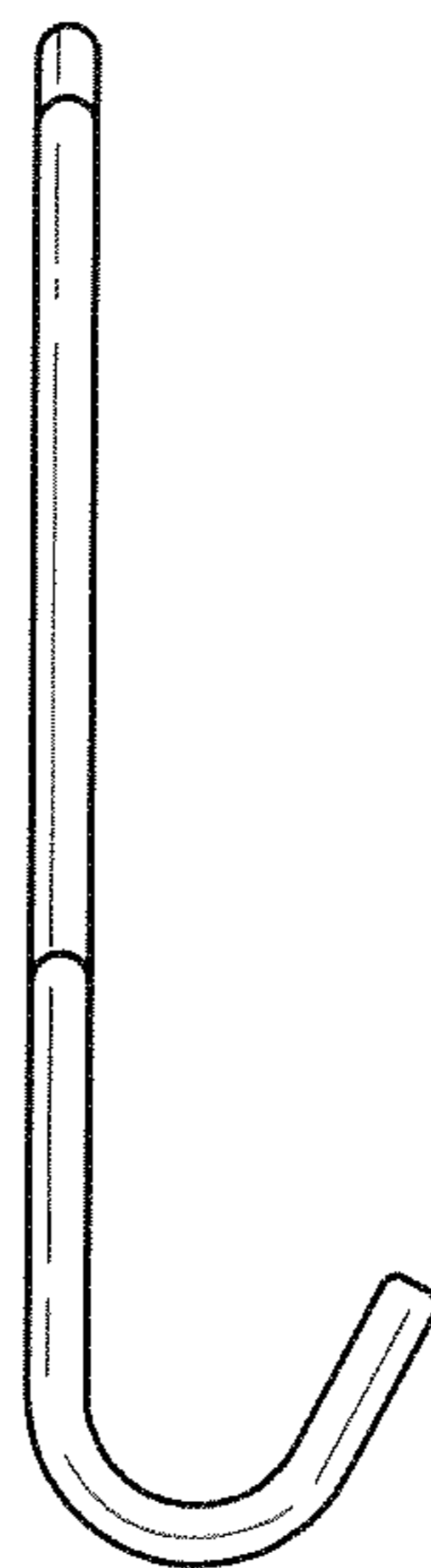


FIG. 5

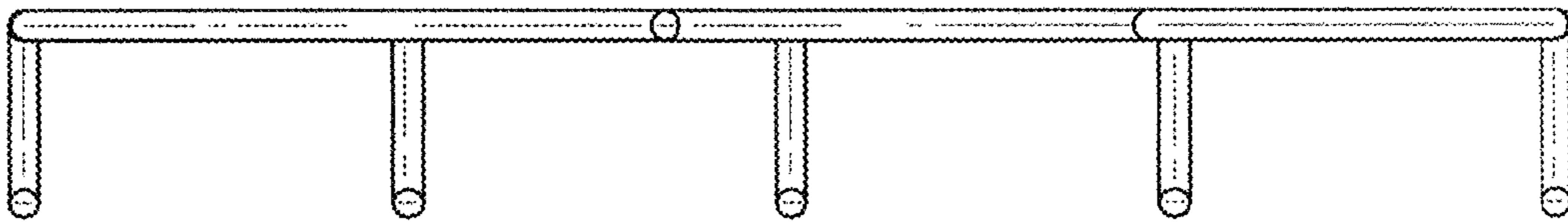


FIG. 6

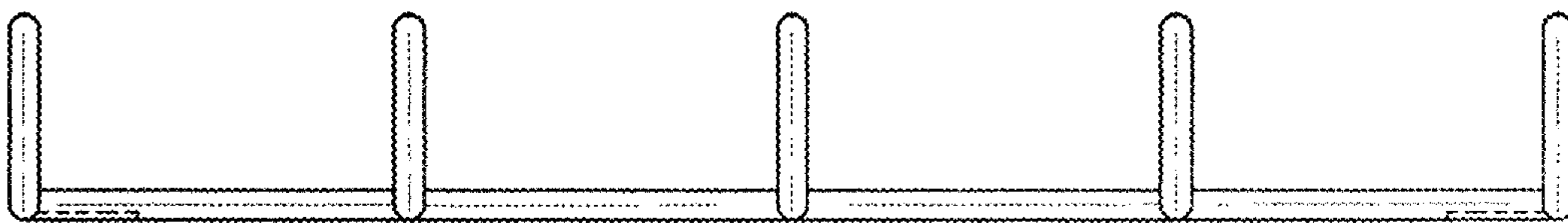


FIG. 7