



US00D784045S

(12) **United States Design Patent** (10) **Patent No.:** **US D784,045 S**  
**MacKenzie** (45) **Date of Patent:** **\*\* Apr. 18, 2017**

(54) **WALL PLANTER ARRANGEMENT**

(71) Applicant: **Hortech, Inc.**, Nunica, MI (US)  
(72) Inventor: **David S. MacKenzie**, Nunica, MI (US)  
(73) Assignee: **Hortech, Inc.**, Nunica, MI (US)  
(\*\*) Term: **15 Years**

(21) Appl. No.: **29/530,543**

(22) Filed: **Jun. 17, 2015**

(51) **LOC (10) Cl.** ..... **11-02**

(52) **U.S. Cl.**  
USPC ..... **D6/558**

(58) **Field of Classification Search**

USPC ..... D6/558; D8/403-405, 556-557, 1, 499;  
D11/143-156, 164; D25/100; D26/9-11,  
D26/16, 19; D34/1, 2, 4, 5, 6; D99/5,  
D99/19; 47/17, 32.4, 32.5, 33, 39, 41.01,  
47/41.1, 41.11-41.15, 44, 45, 46, 47, 65,  
47/65.5, 65.9, 66.1, 66.6, 66.7, 67-71, 83  
CPC ..... A01G 9/025; Y02P 60/244; E02D 29/025;  
E02D 29/0216; E02D 29/0266; E04C  
1/395; E04B 2002/025

See application file for complete search history.

(56) **References Cited**

**U.S. PATENT DOCUMENTS**

3,252,252 A \* 5/1966 Muelberger, Jr. .... A01G 9/022  
47/82  
D382,511 S \* 8/1997 Azarian ..... D11/143  
D477,971 S \* 8/2003 Maier-Aichen ..... D7/584  
D485,127 S \* 1/2004 Maier-Aichen ..... D7/584  
D565,356 S \* 4/2008 Mellen ..... D7/376  
D727,788 S \* 4/2015 Hetland ..... D11/144  
2009/0113794 A1 \* 5/2009 Smith ..... A01G 9/02  
47/65.5  
2012/0199597 A1 \* 8/2012 Myoung ..... B65D 25/22  
220/751

**OTHER PUBLICATIONS**

Jessica Mischner, Planter Wall Tiles Breathe Life into a Room, retrieved on Aug. 9, 2016, Inhabitat, URL: <http://inhabitat.com/green-pockets-breathe-new-life-into-a-room%E2%80%94literally/>.\*

\* cited by examiner

*Primary Examiner* — Wan Laymon  
*Assistant Examiner* — Mark Booker

(74) *Attorney, Agent, or Firm* — Price Heneveld LLP

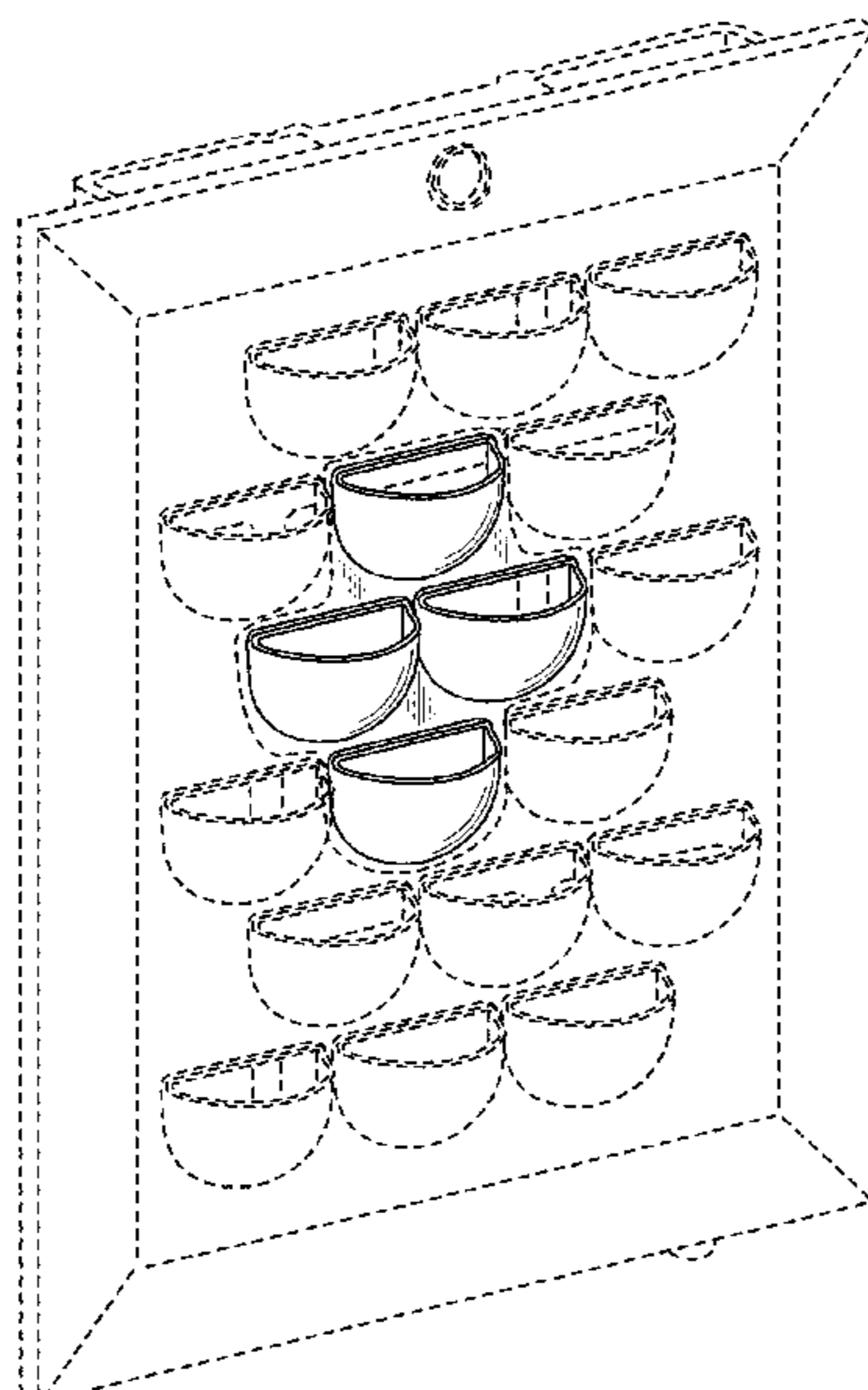
(57) **CLAIM**

The ornamental design for a wall planter arrangement, as shown and described.

**DESCRIPTION**

FIG. 1 is a top perspective view of a wall planter arrangement embodying the present invention;  
FIG. 2 is a front elevational view of the wall planter arrangement;  
FIG. 3 is a rear elevational view of the wall planter arrangement;  
FIG. 4 is a first side elevational view of the wall planter arrangement;  
FIG. 5 is a second side elevational view of the wall planter arrangement;  
FIG. 6 is a top plan view of the wall planter arrangement;  
and,  
FIG. 7 is a bottom plan view of the wall planter arrangement.  
The broken lines shown in the figures represent portions of the wall planter arrangement that form no part of the claimed design.

**1 Claim, 5 Drawing Sheets**



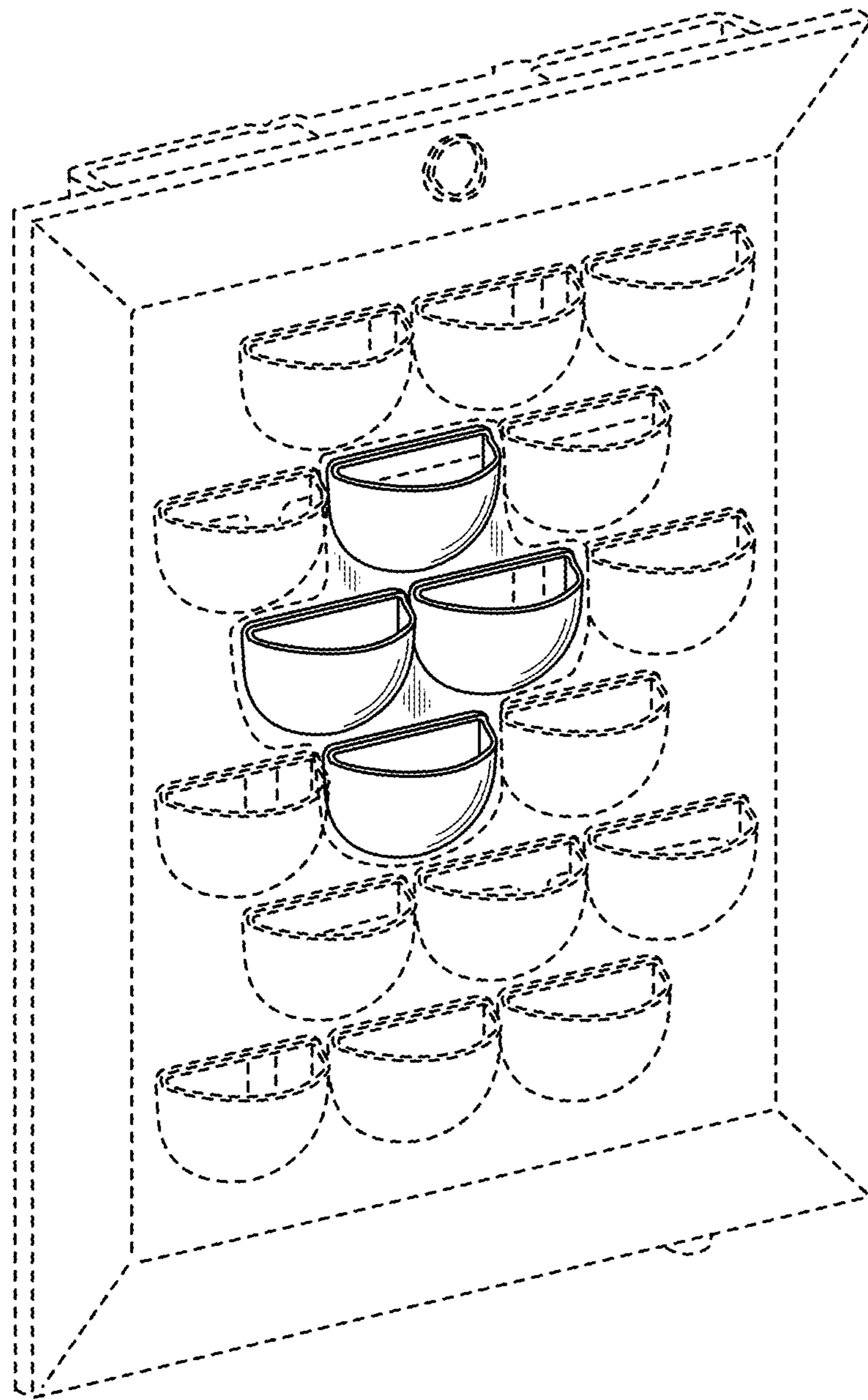


FIG. 1

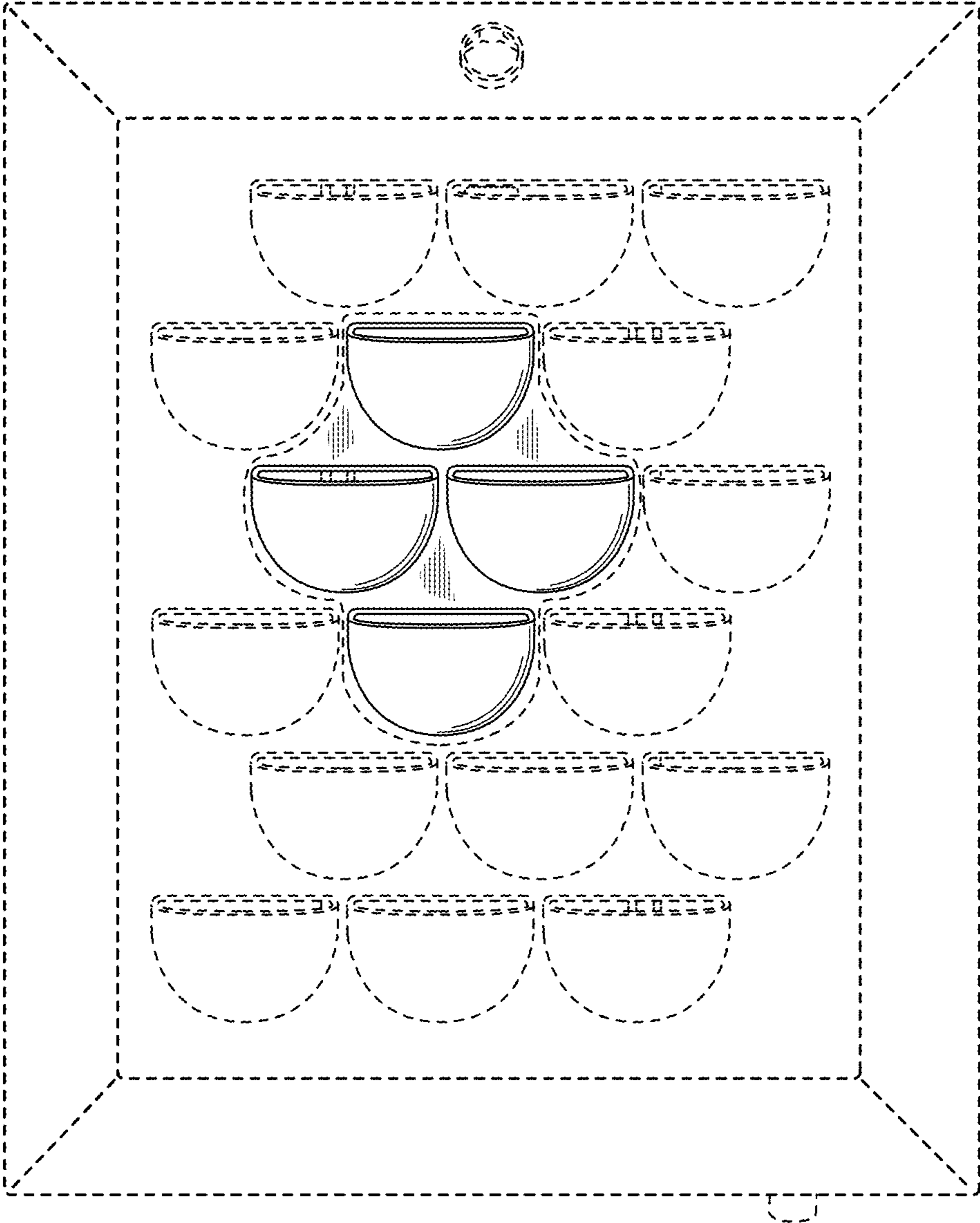


FIG. 2

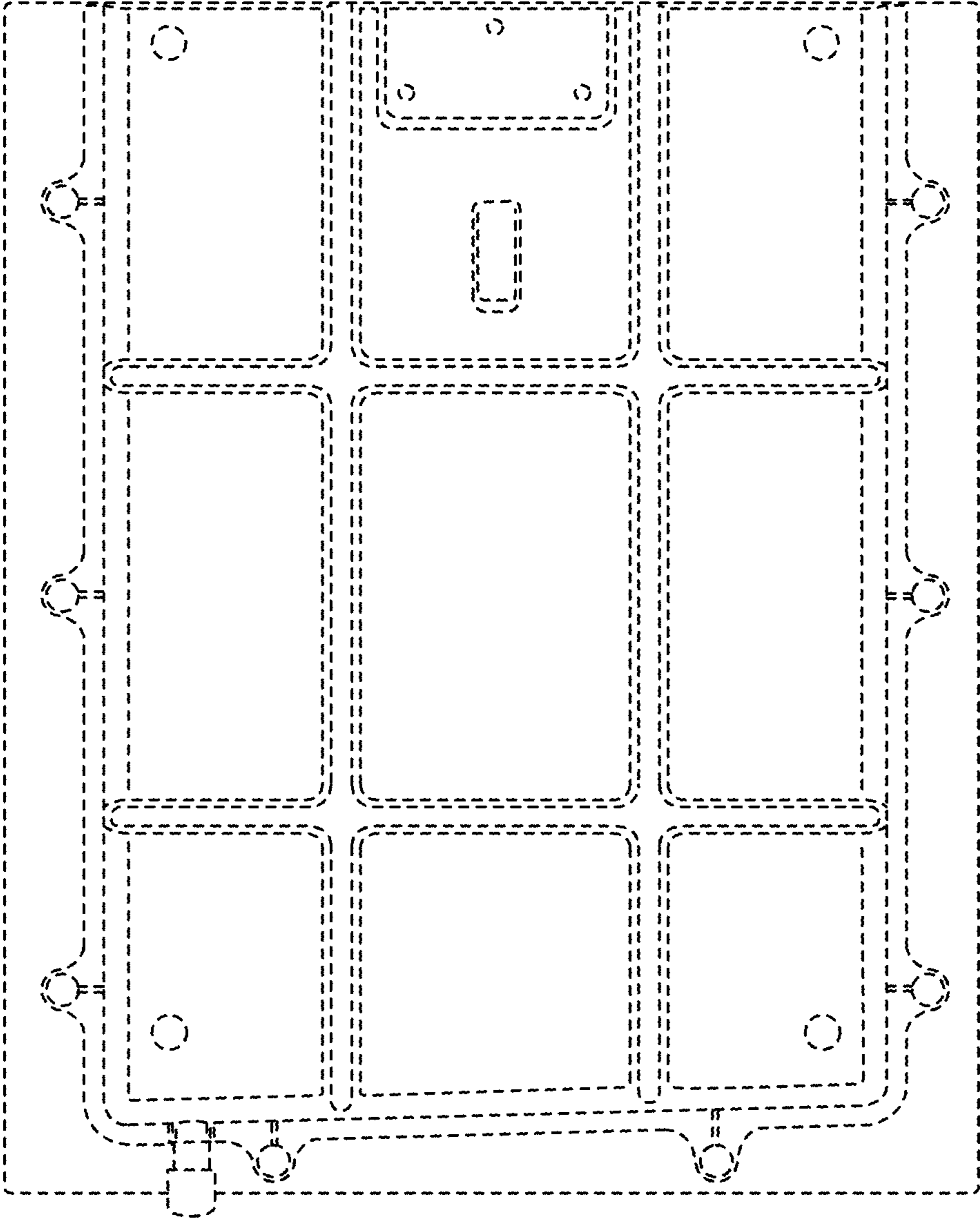


FIG. 3

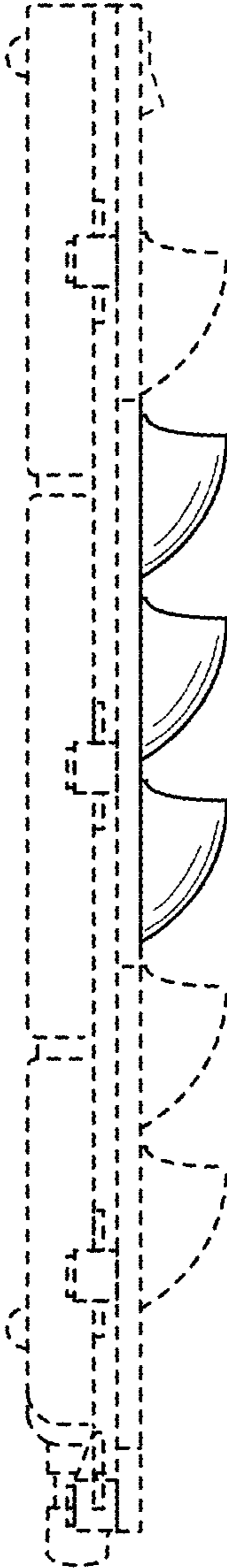


FIG. 4

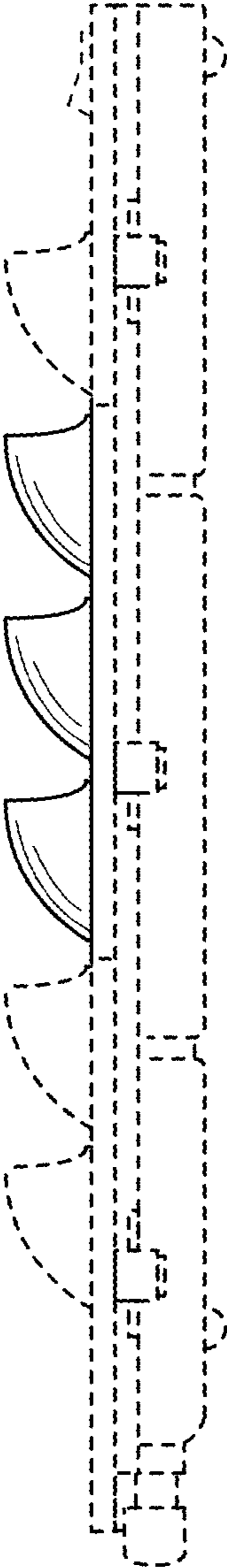


FIG. 5



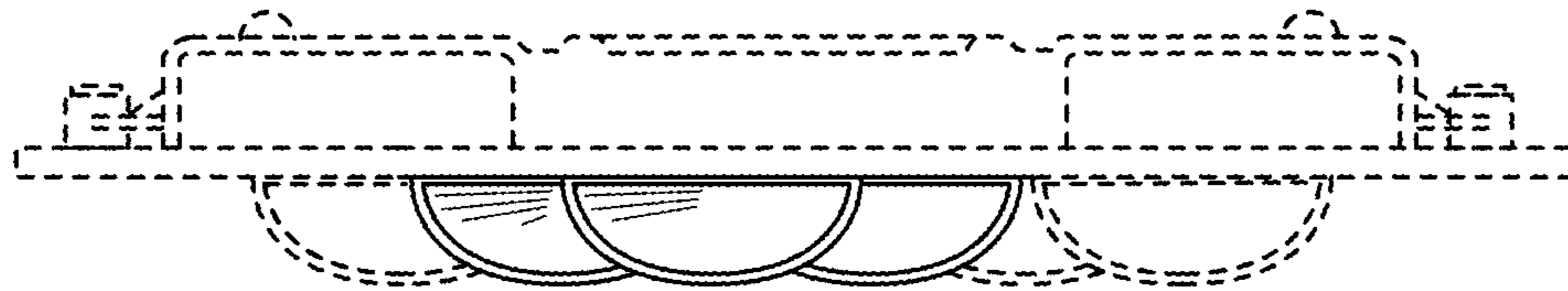


FIG. 6

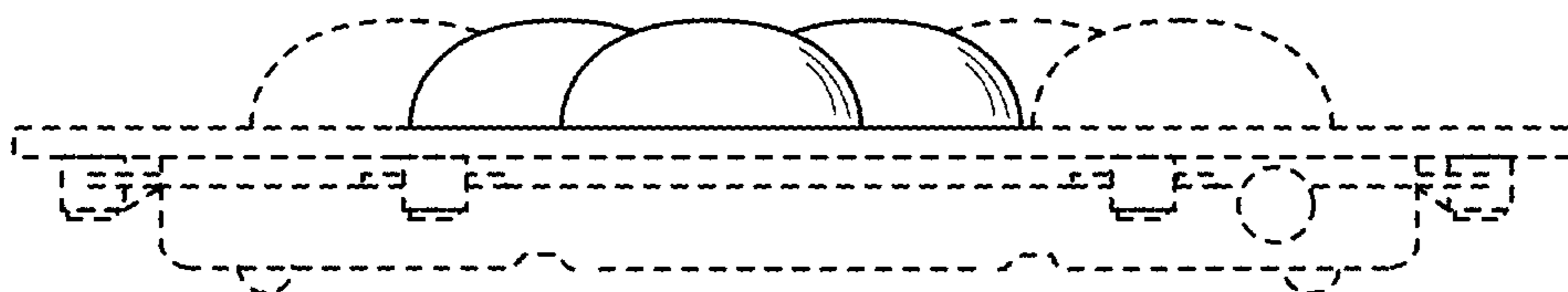


FIG. 7