



US00D784043S

(12) **United States Design Patent** (10) **Patent No.:** **US D784,043 S**
Goodman et al. (45) **Date of Patent:** **** Apr. 18, 2017**

(54) **TOWEL BAR**
(71) Applicant: **Spectrum Diversified Designs, Inc.**,
Streetsboro, OH (US)
(72) Inventors: **Sheldon H. Goodman**, Solon, OH
(US); **Phaysouk Xayoiphonh**, Akron,
OH (US)
(73) Assignee: **Spectrum Diversified Designs, LLC**,
Streetsboro, OH (US)

D432,830 S * 10/2000 Gastelum D6/523
D433,261 S * 11/2000 Solowiej D6/523
D448,592 S * 10/2001 McBride D6/522
D450,502 S * 11/2001 Goodman D6/522
D450,503 S * 11/2001 Gottwald D6/523
D452,397 S * 12/2001 Gilbert D6/518
6,345,797 B1 * 2/2002 Ming-Hsiao A47K 10/40
211/105.1
D464,834 S * 10/2002 Yen D6/546
D465,365 S * 11/2002 Moore D6/523
D477,481 S * 7/2003 Ouano D6/523
D521,291 S * 5/2006 Ferrer Beltran D6/546

(Continued)

(**) Term: **15 Years**

(21) Appl. No.: **29/543,773**
(22) Filed: **Oct. 28, 2015**
(51) **LOC (10) Cl.** **06-04**
(52) **U.S. Cl.**
USPC **D6/546**
(58) **Field of Classification Search**
USPC D6/546-550, 512-525; D8/300,
D8/315-321, 354, 363, 373, 380;
108/28-29; 211/13.1, 16, 85.5, 86.01,
211/87.01, 88.04, 100, 105.1, 105.2, 106,
211/113, 123, 181.1, 182-183; 248/49,
248/175, 176.1, 200, 201, 205.1, 251,
248/302, 309.1, 315; 242/570, 590,
242/595-598; D25/45
CPC A47K 10/3836; A47K 10/38
See application file for complete search history.

OTHER PUBLICATIONS

Spectrum Diversified website, scroll over the cabinet towel ring,
May 19, 2016, <http://www.spectrumdiversified.com/products/scroll-over-the-cabinet-towel-ring>.*

Primary Examiner — David Muller
Assistant Examiner — Nathan Johnston
(74) *Attorney, Agent, or Firm* — Benesch, Friedlander,
Coplan & Aronoff LLP

(57) **CLAIM**

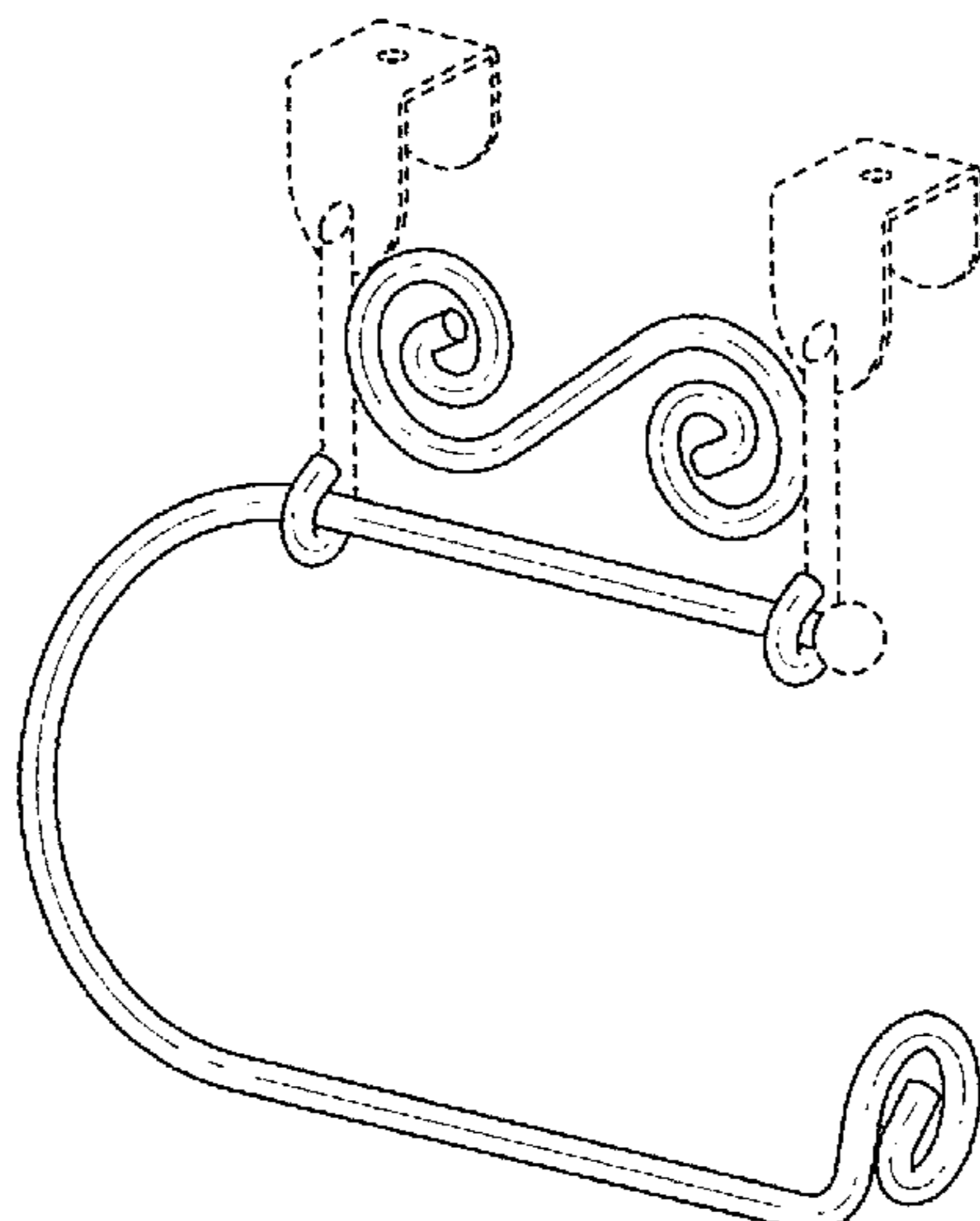
What is claimed is the ornamental design for a towel bar, as shown and described.

DESCRIPTION

FIG. 1 is a perspective view of a towel bar showing our new design;
FIG. 2 is a front elevation view thereof;
FIG. 3 is a rear elevation view thereof;
FIG. 4 is a right side elevation view thereof;
FIG. 5 is a left side elevation view thereof;
FIG. 6 is a top plan view thereof; and,
FIG. 7 is a bottom plan view.
The components of the display shown in broken lines illustrate portions of the towel bar which form no part of the claimed design.

(56) **References Cited**
U.S. PATENT DOCUMENTS
2,240,629 A * 5/1941 Smith A47K 10/3836
242/592
D382,749 S * 8/1997 Thoren D6/523
5,931,427 A * 8/1999 Pan A47K 10/10
211/16
D424,345 S * 5/2000 Duggan D6/523
D425,741 S * 5/2000 Duggan D6/523
D431,947 S * 10/2000 Kopcak D6/523

1 Claim, 4 Drawing Sheets



(56)

References Cited

U.S. PATENT DOCUMENTS

| | | | | |
|--------------|------|---------|----------------------|-------------------------|
| D521,292 | S * | 5/2006 | Ferrer Beltran | D6/546 |
| D522,296 | S * | 6/2006 | Solowiej | D6/546 |
| D523,273 | S * | 6/2006 | Ferrer Beltran | D6/546 |
| D533,383 | S * | 12/2006 | Berberet | D6/546 |
| D576,435 | S * | 9/2008 | Snell | D6/513 |
| D701,058 | S * | 3/2014 | Goodman | D6/522 |
| D723,298 | S * | 3/2015 | Goodman | D6/513 |
| 2006/0175503 | A1 * | 8/2006 | Simonsen | A47K 10/12 248/309.1 |
| 2011/0101152 | A1 * | 5/2011 | Molstad | A47K 10/3836 242/606 |

* cited by examiner

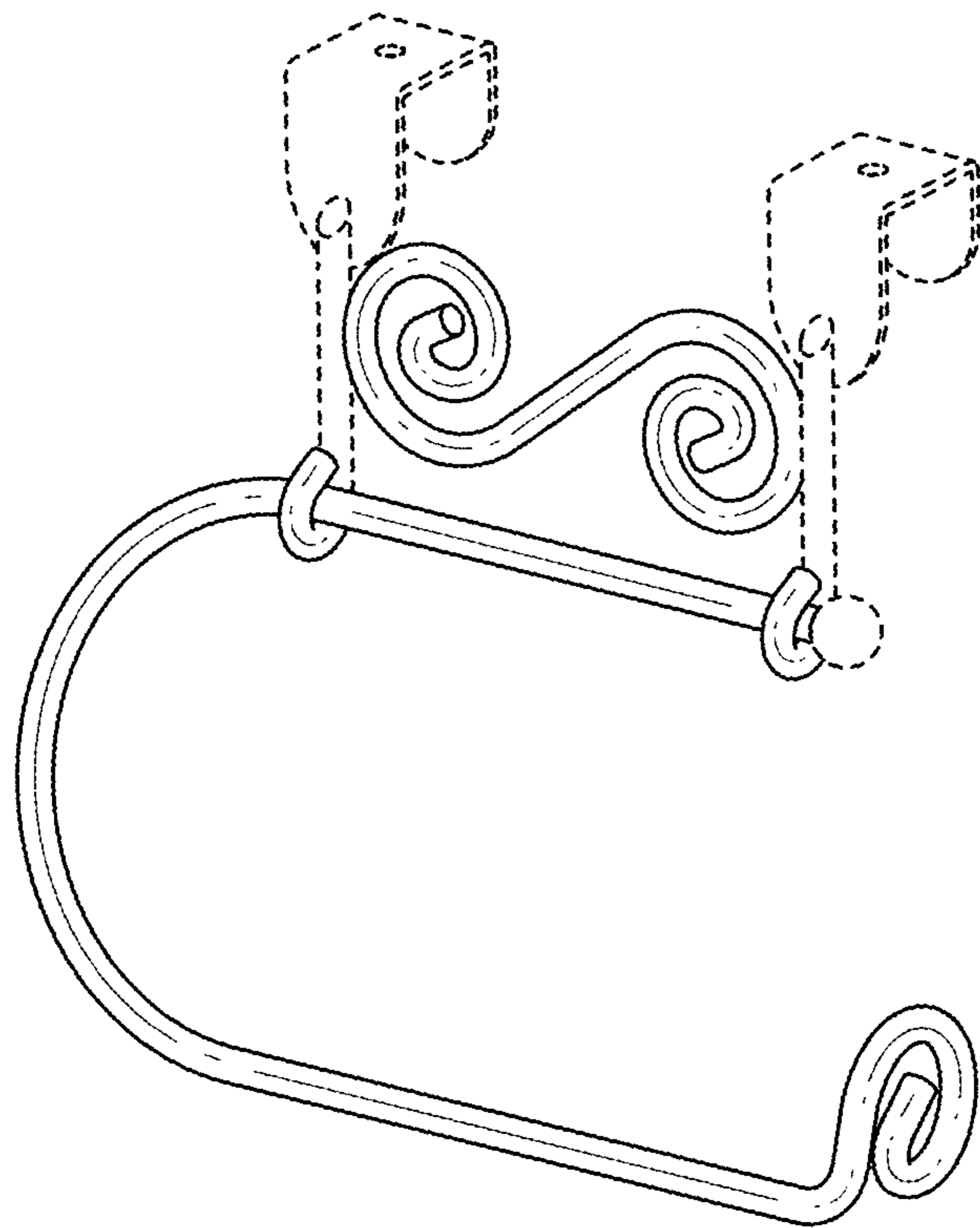


FIG. 1

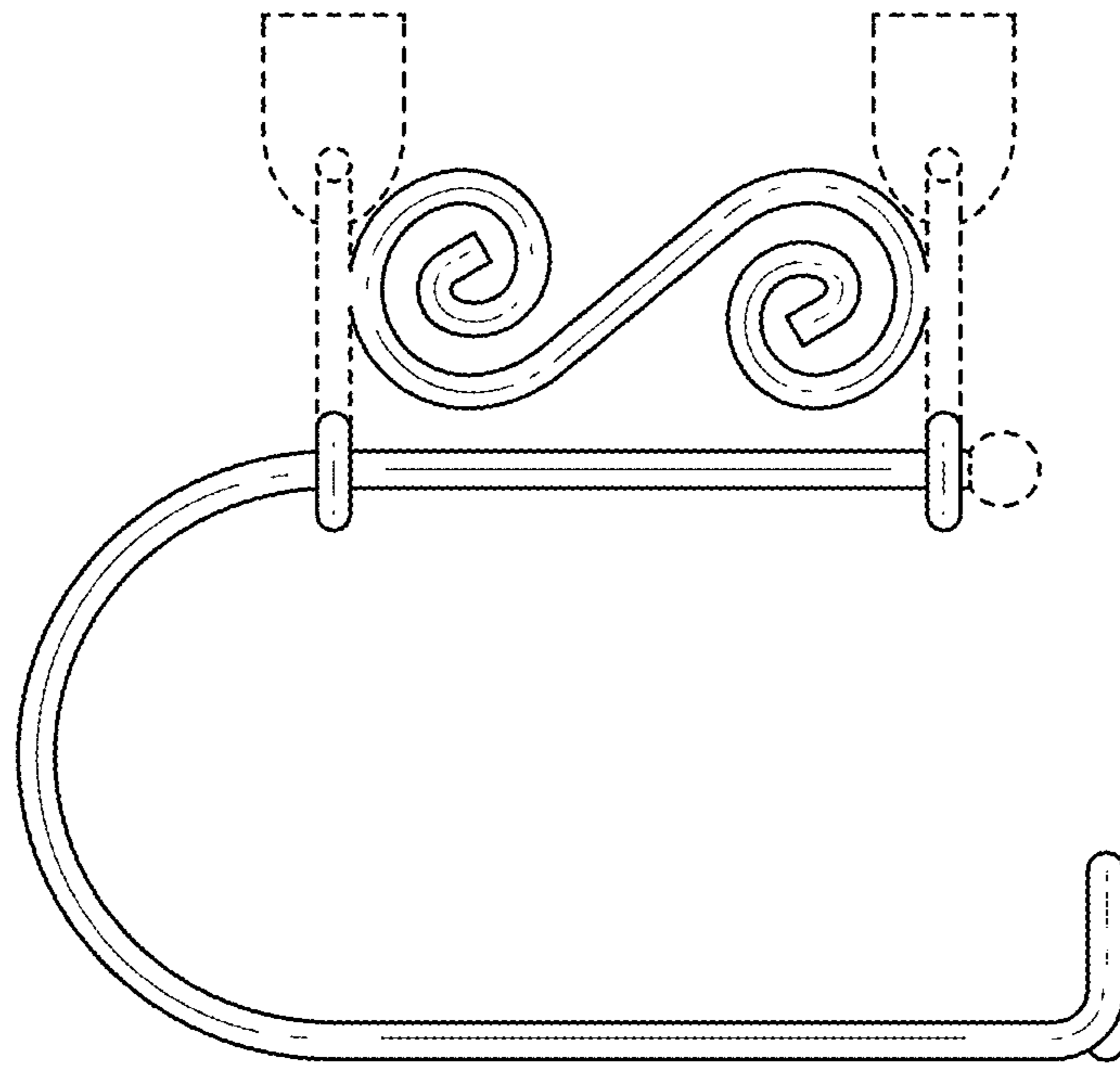


FIG. 2

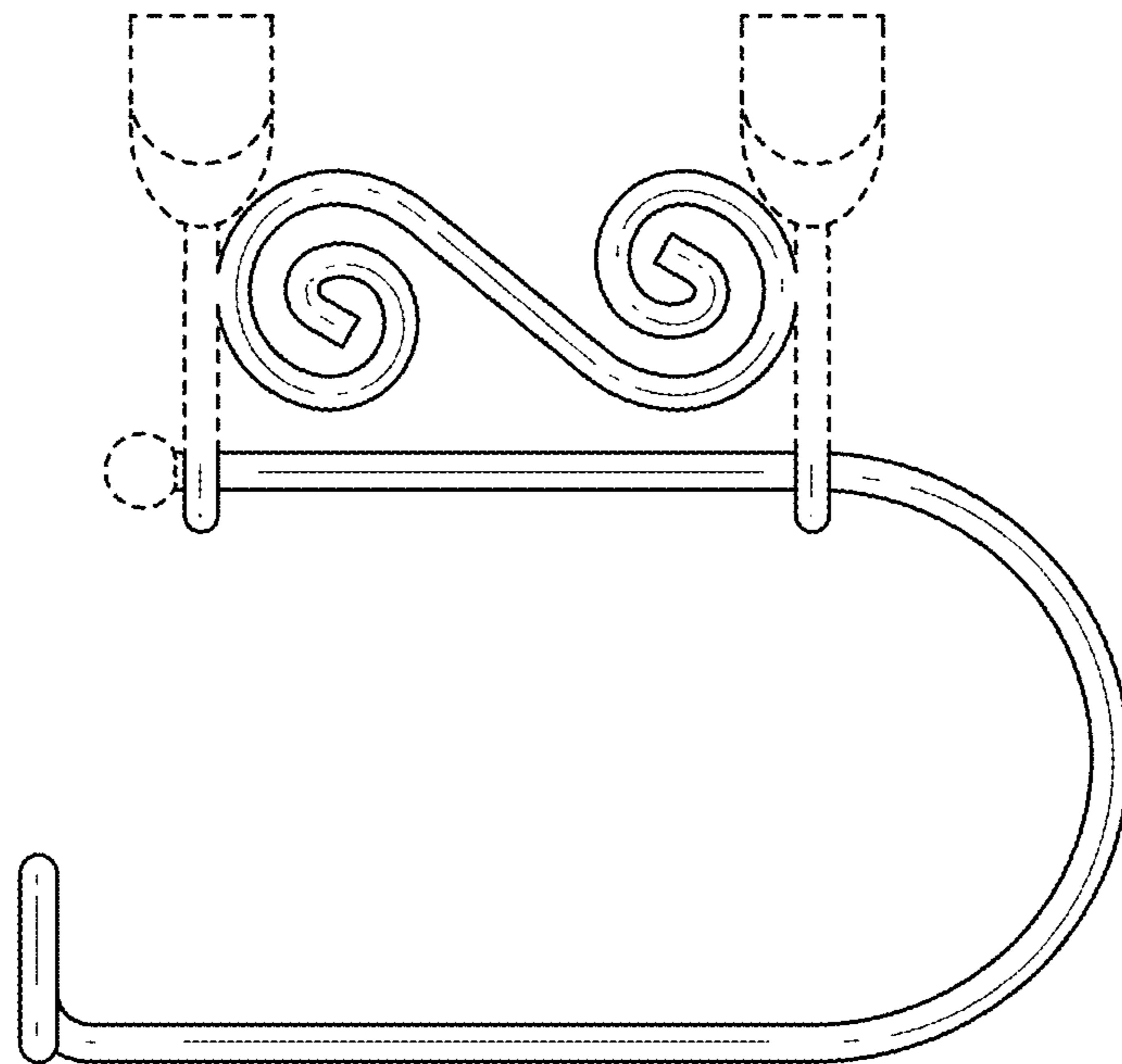


FIG. 3

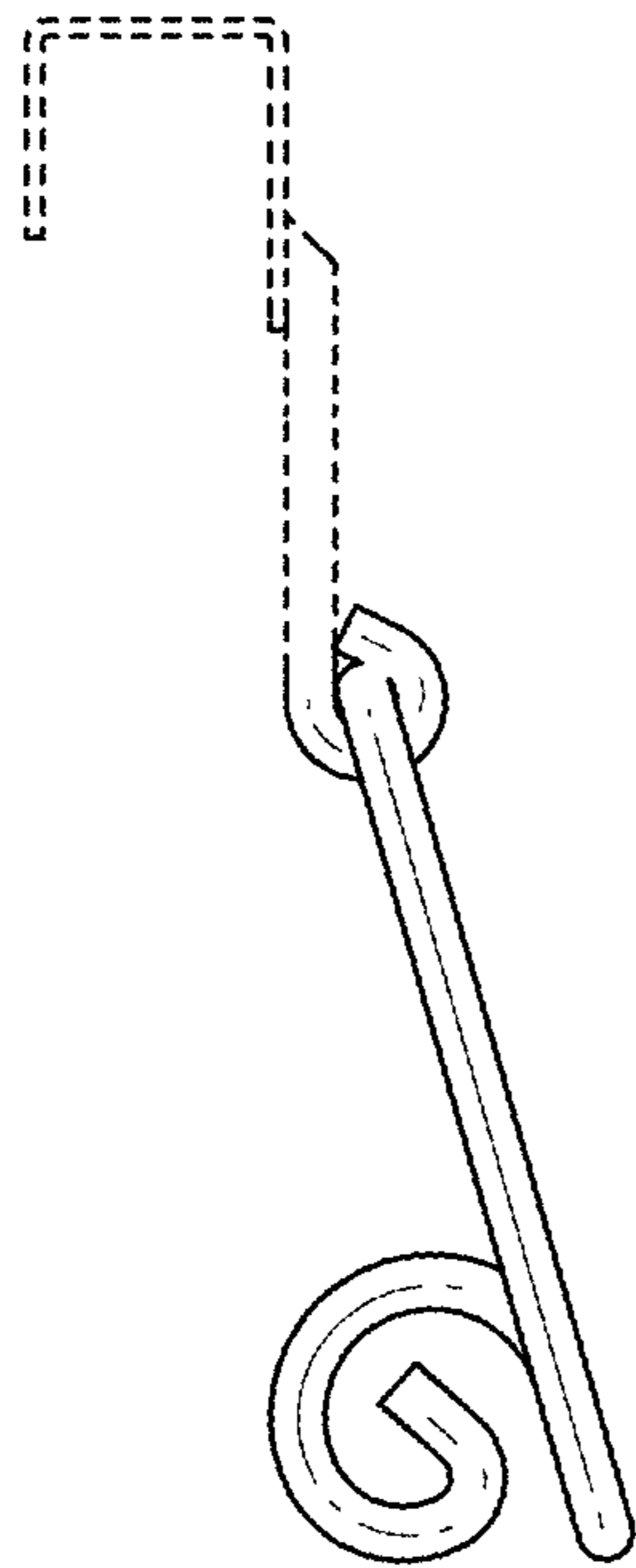


FIG. 4

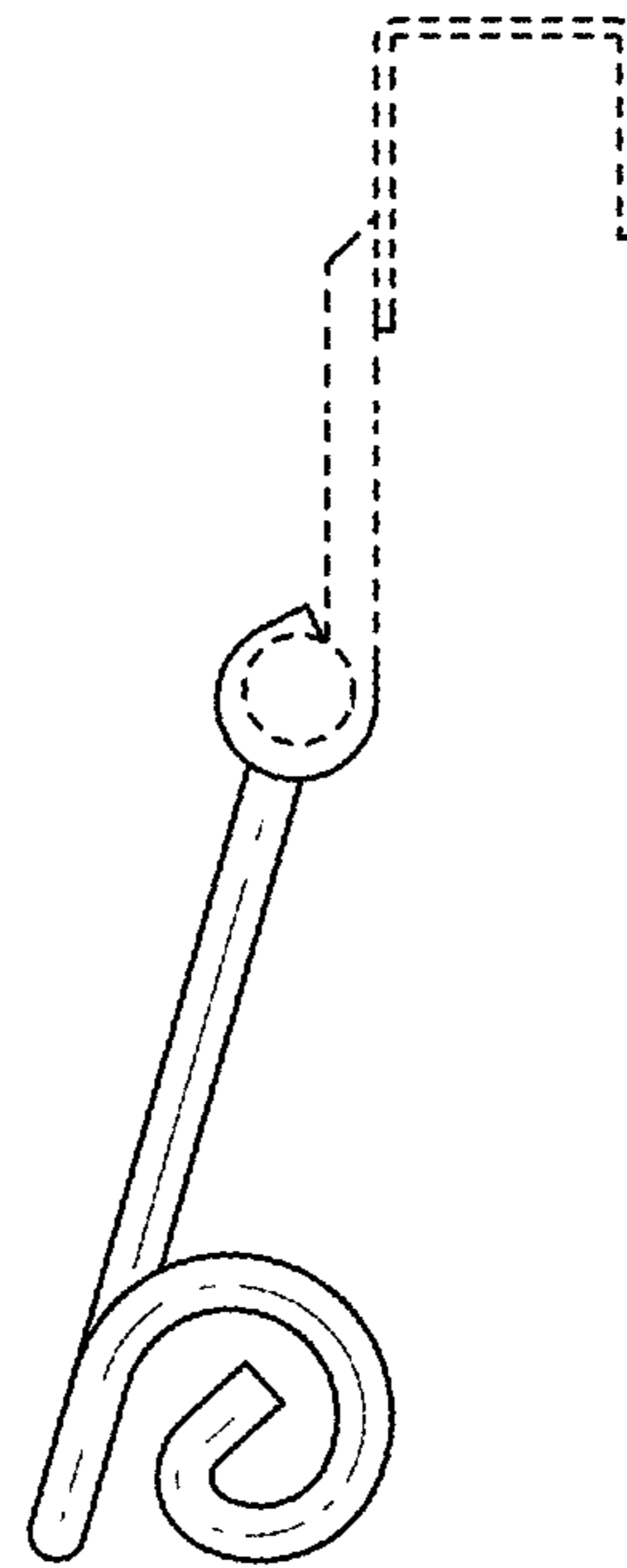


FIG. 5

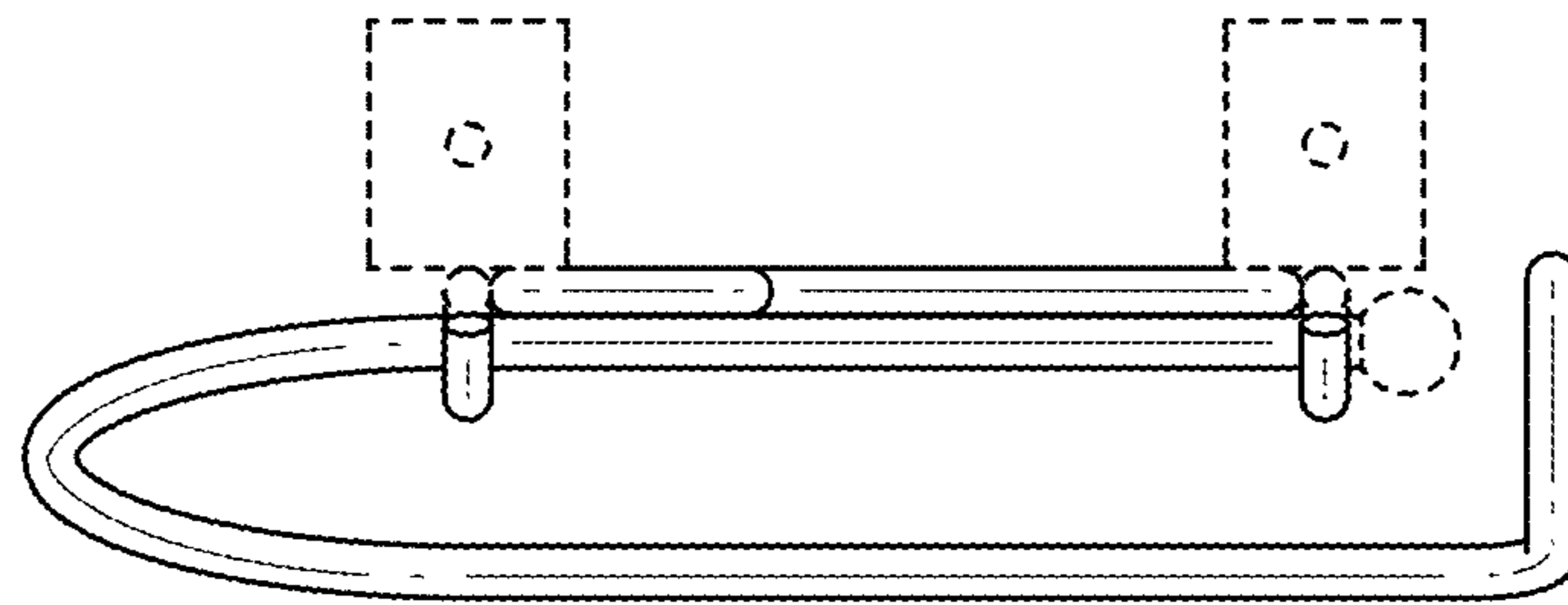


FIG. 6

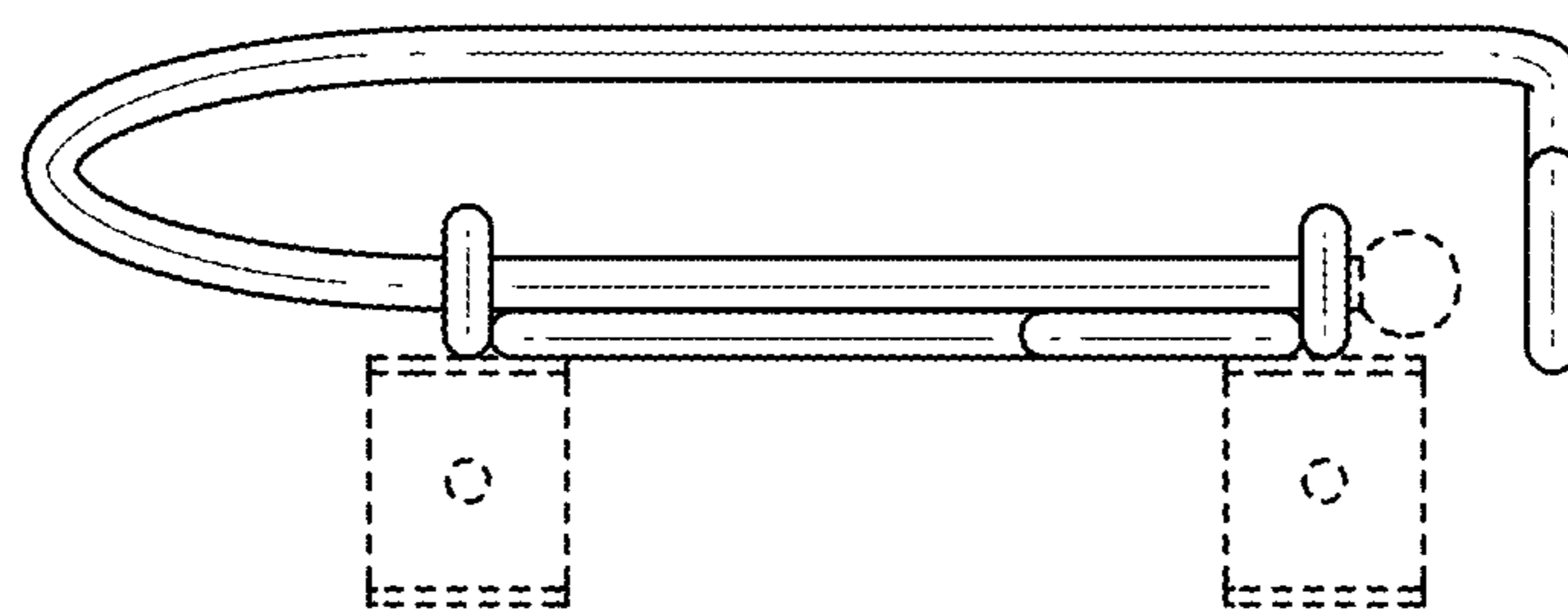


FIG. 7