

US00D784042S

(12) **United States Design Patent** (10) **Patent No.:** **US D784,042 S**
Gonzalez (45) **Date of Patent:** **** Apr. 18, 2017**

(54) **DENTAL RACK**

(71) Applicant: **Stacey L. Gonzalez**, West Allis, WI (US)

(72) Inventor: **Stacey L. Gonzalez**, West Allis, WI (US)

(**) Term: **15 Years**

(21) Appl. No.: **29/560,443**

(22) Filed: **Apr. 6, 2016**

(51) **LOC (10) Cl.** **23-02**

(52) **U.S. Cl.**
USPC **D6/528**

(58) **Field of Classification Search**
USPC D6/528, 524, 534; D3/205; 206/349, 206/361, 362, 362.1, 362.2, 362.3; 211/13.1, 65; 433/49, 77, 79, 97, 229
CPC B65D 75/008; B65D 75/525; B65D 83/02; B65D 83/0811; B65D 83/0894; A61B 2017/2923; A61B 42/40; A61C 19/003
See application file for complete search history.

(56) **References Cited**

U.S. PATENT DOCUMENTS

D511,919 S * 11/2005 Descoteaux D6/534
D538,091 S * 3/2007 Roth D6/534

D635,385 S * 4/2011 Renault D6/534
D669,678 S * 10/2012 Legreca D3/205
D727,061 S * 4/2015 Ellis D6/528
D727,063 S * 4/2015 Ellis D6/528

* cited by examiner

Primary Examiner — Wan Laymon
Assistant Examiner — Mark Booker
(74) *Attorney, Agent, or Firm* — Ann E. Rabe

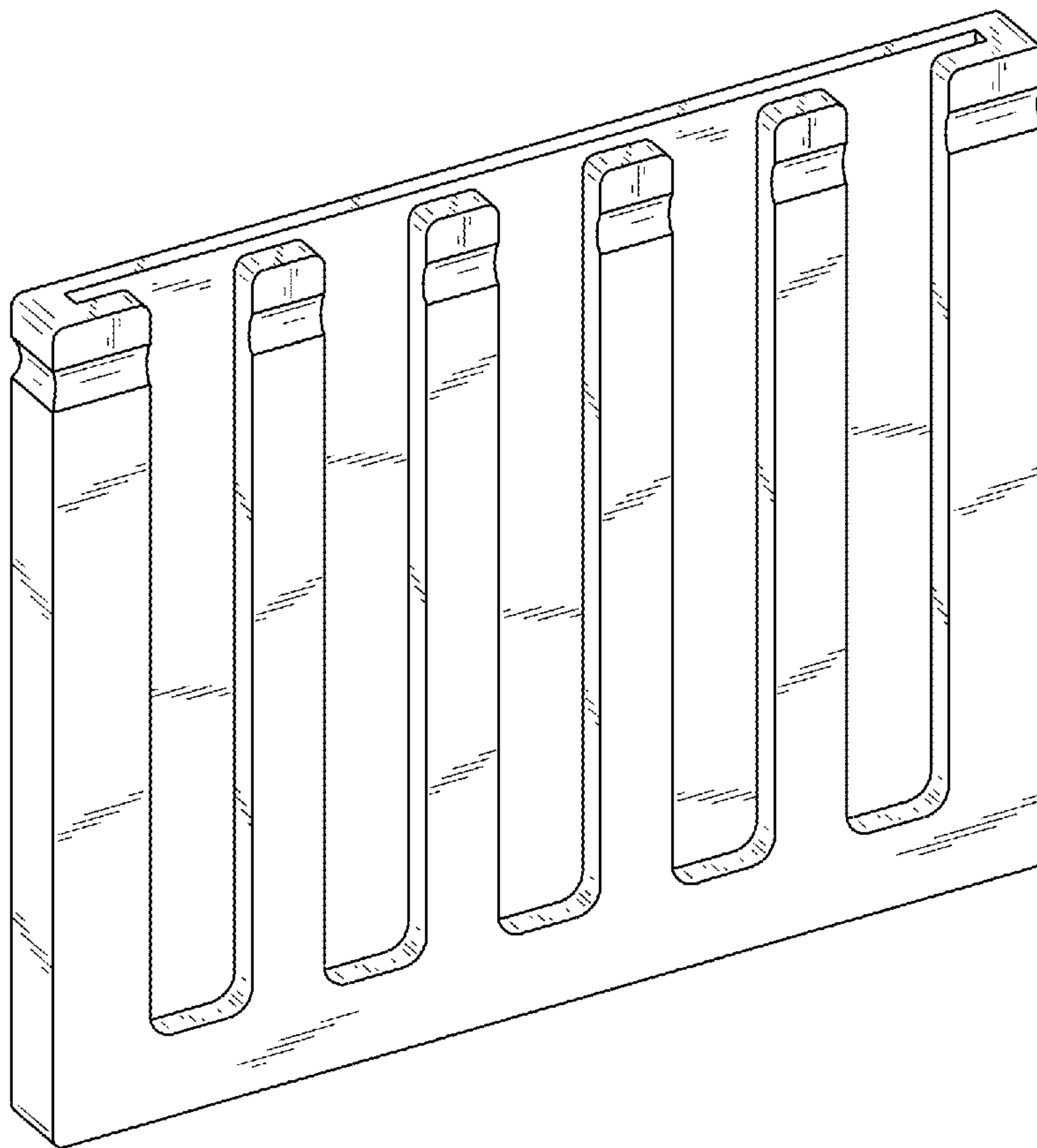
(57) **CLAIM**

The ornamental design for a dental rack, as shown and described.

DESCRIPTION

FIG. 1 is an isometric perspective front view of the dental rack, showing my new design;
FIG. 2 is a front view thereof;
FIG. 3 is a rear view thereof;
FIG. 4 right side view thereof; the left side view being a mirror image thereof;
FIG. 5 is a top view thereof;
FIG. 6 is a bottom view thereof; and,
FIG. 7 is a sectional view taken along line 7-7 in FIG. 5.

1 Claim, 4 Drawing Sheets



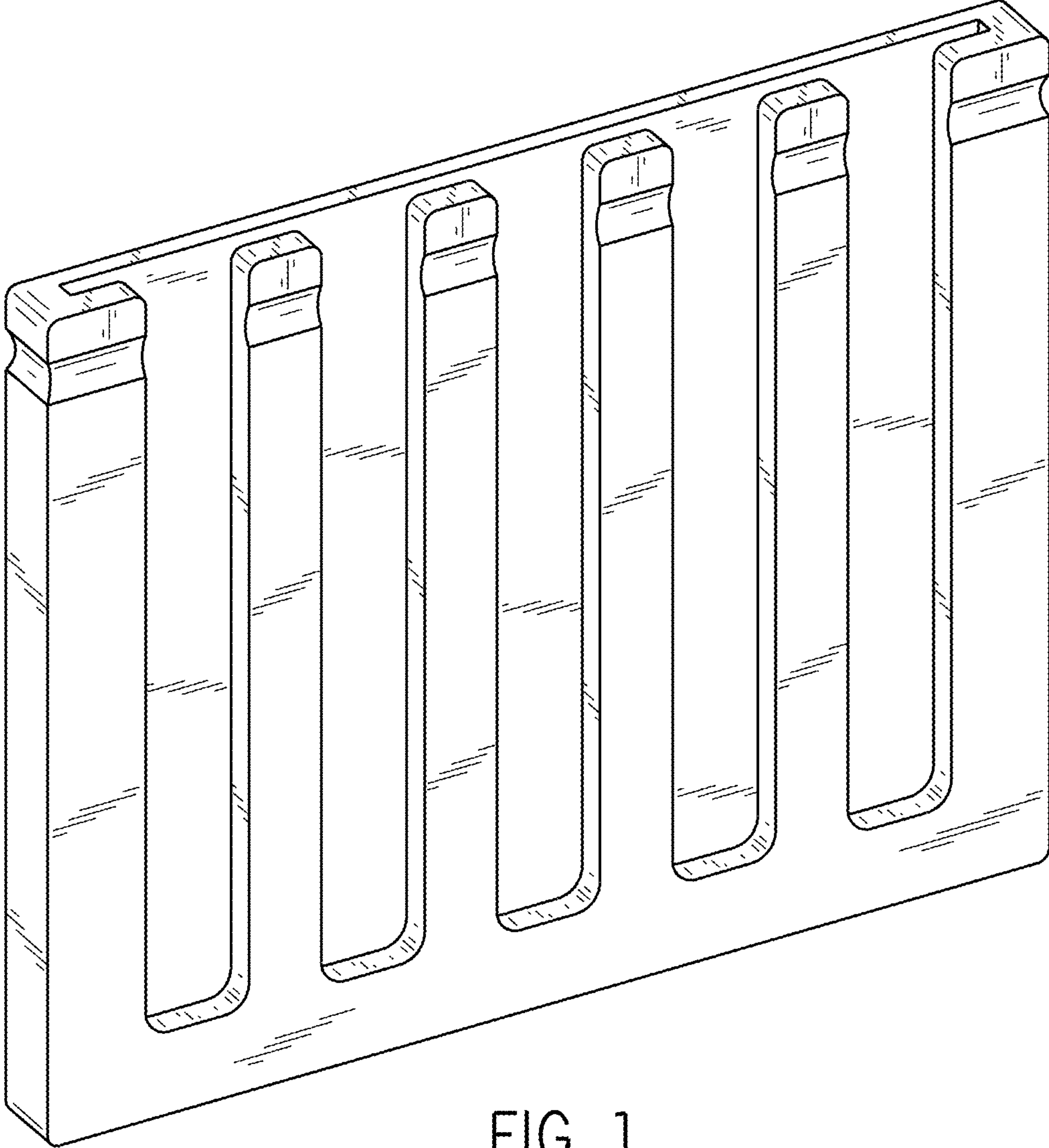


FIG. 1

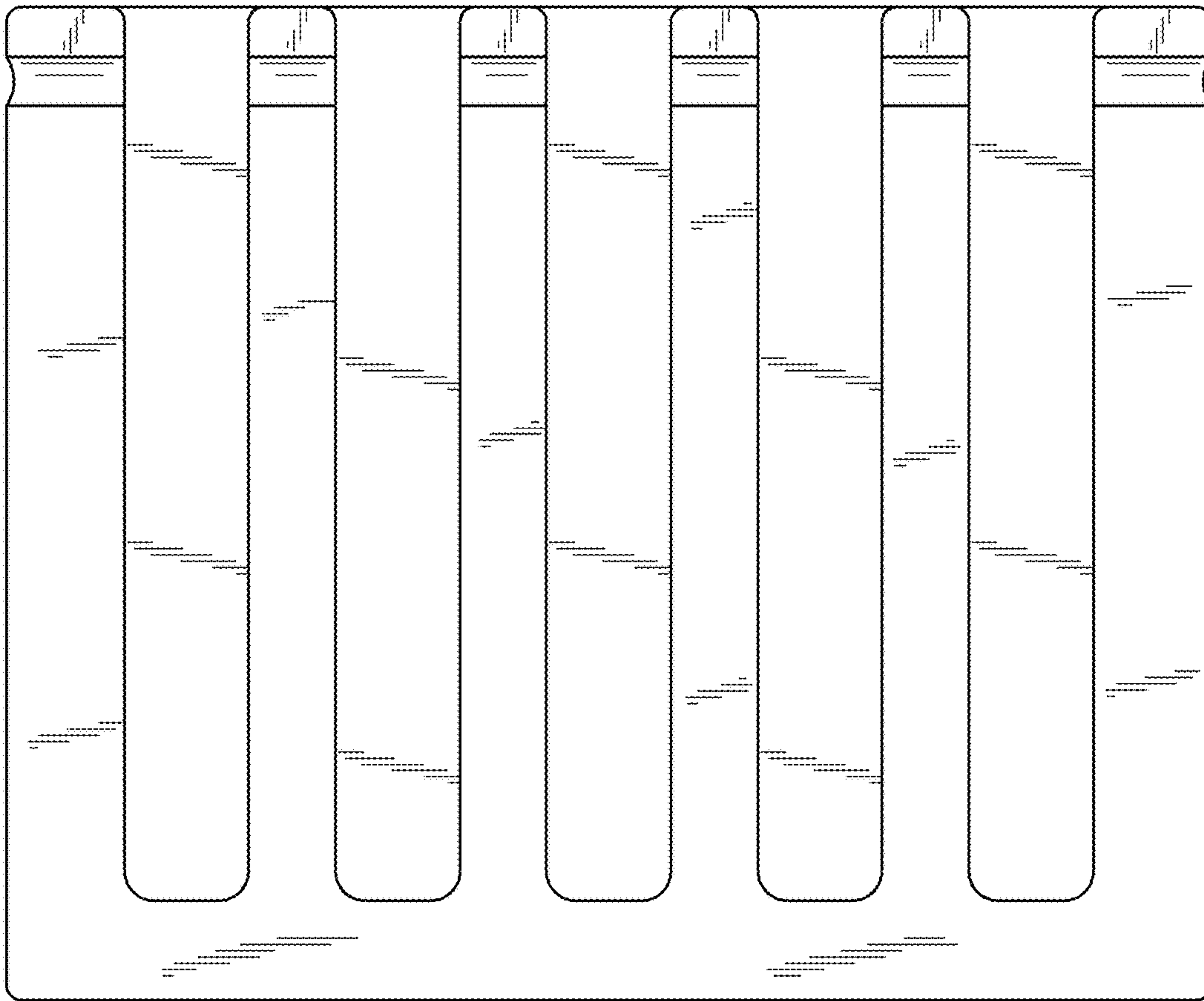


FIG. 2

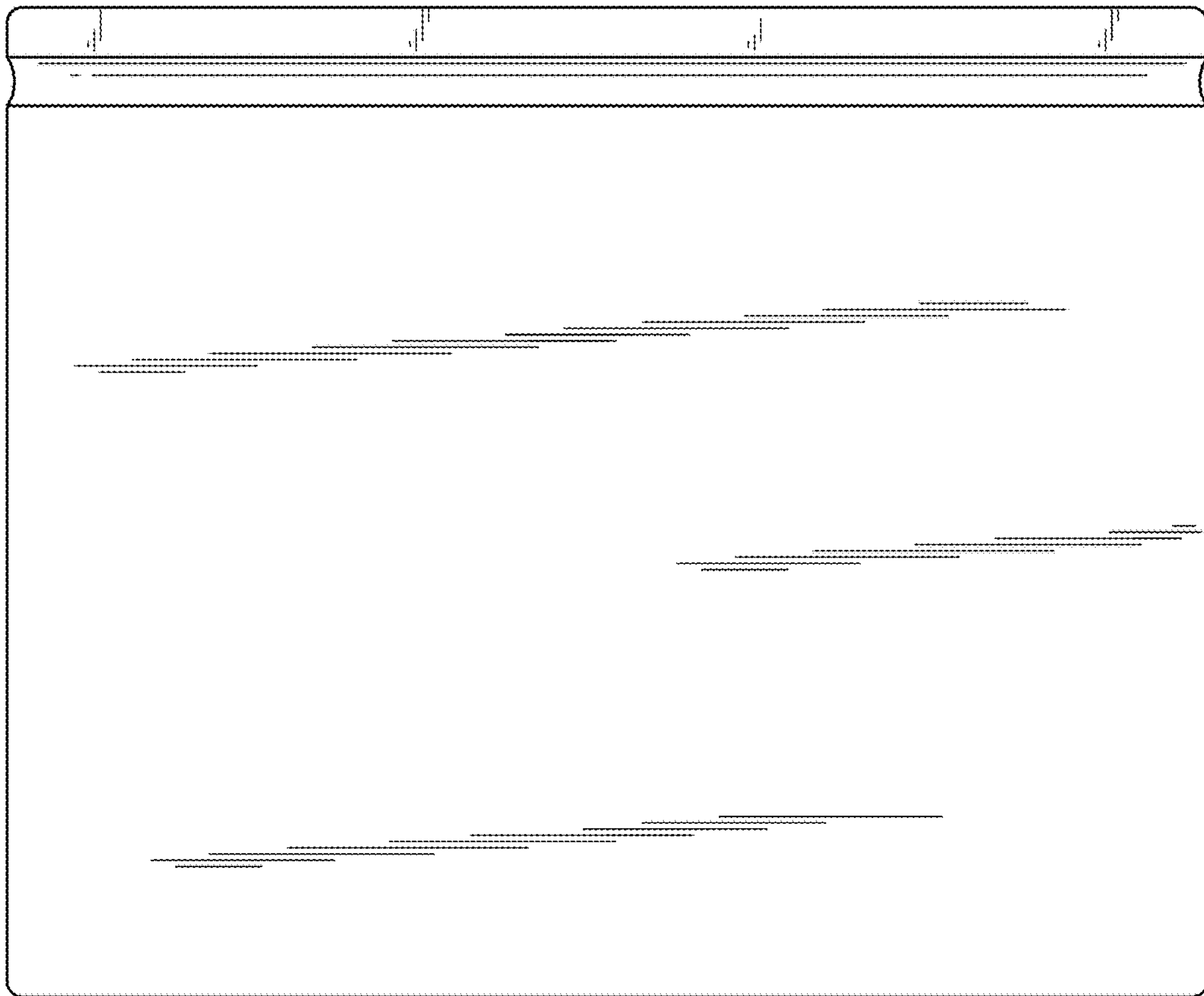


FIG. 3



FIG. 4

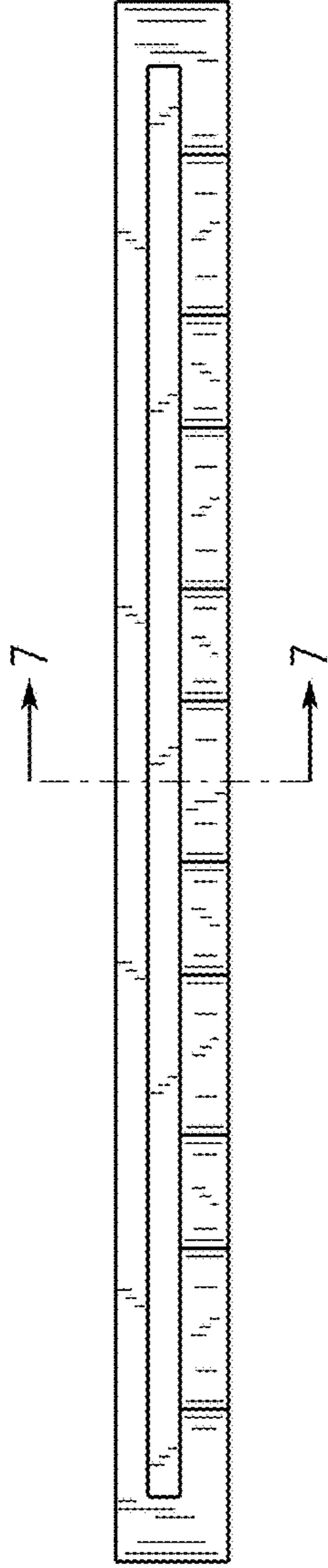


FIG. 5

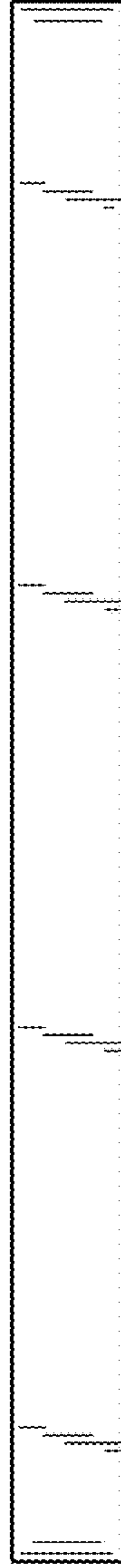


FIG. 6

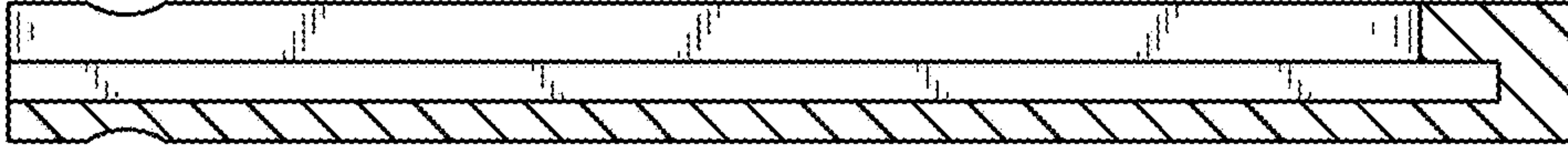


FIG. 7