



US00D784041S

(12) **United States Design Patent** (10) **Patent No.:** **US D784,041 S**
Pan (45) **Date of Patent:** **** Apr. 18, 2017**

(54) **HOLDER**

(71) Applicant: **3M INNOVATIVE PROPERTIES COMPANY**, St. Paul, MN (US)

(72) Inventor: **Angela L. Pan**, Arden Hills, MN (US)

(73) Assignee: **3M INNOVATIVE PROPERTIES COMPANY**, St. Paul, MN (US)

(**) Term: **15 Years**

(21) Appl. No.: **29/543,754**

(22) Filed: **Oct. 28, 2015**

(51) **LOC (10) Cl.** **23-02**

(52) **U.S. Cl.**
USPC **D6/524**

(58) **Field of Classification Search**

USPC D6/524, 528–531, 534, 550; 206/361, 206/362, 362.1, 362.2, 362.3; 211/13.1, 211/60.1, 65, 66, 70.6, 89.01; 248/110
CPC A47K 5/02; A47K 10/10
See application file for complete search history.

(56) **References Cited**

U.S. PATENT DOCUMENTS

D563,131 S *	3/2008	Ricereto	D6/524
D693,596 S *	11/2013	Zeng	D6/524
D707,056 S *	6/2014	Gilbert	D6/524

* cited by examiner

Primary Examiner — Wan Laymon

Assistant Examiner — Mark Booker

(74) *Attorney, Agent, or Firm* — Irina Hass

(57) **CLAIM**

The ornamental design for a holder, as shown and described.

DESCRIPTION

FIG. 1 is a perspective view showing the new design for a holder;

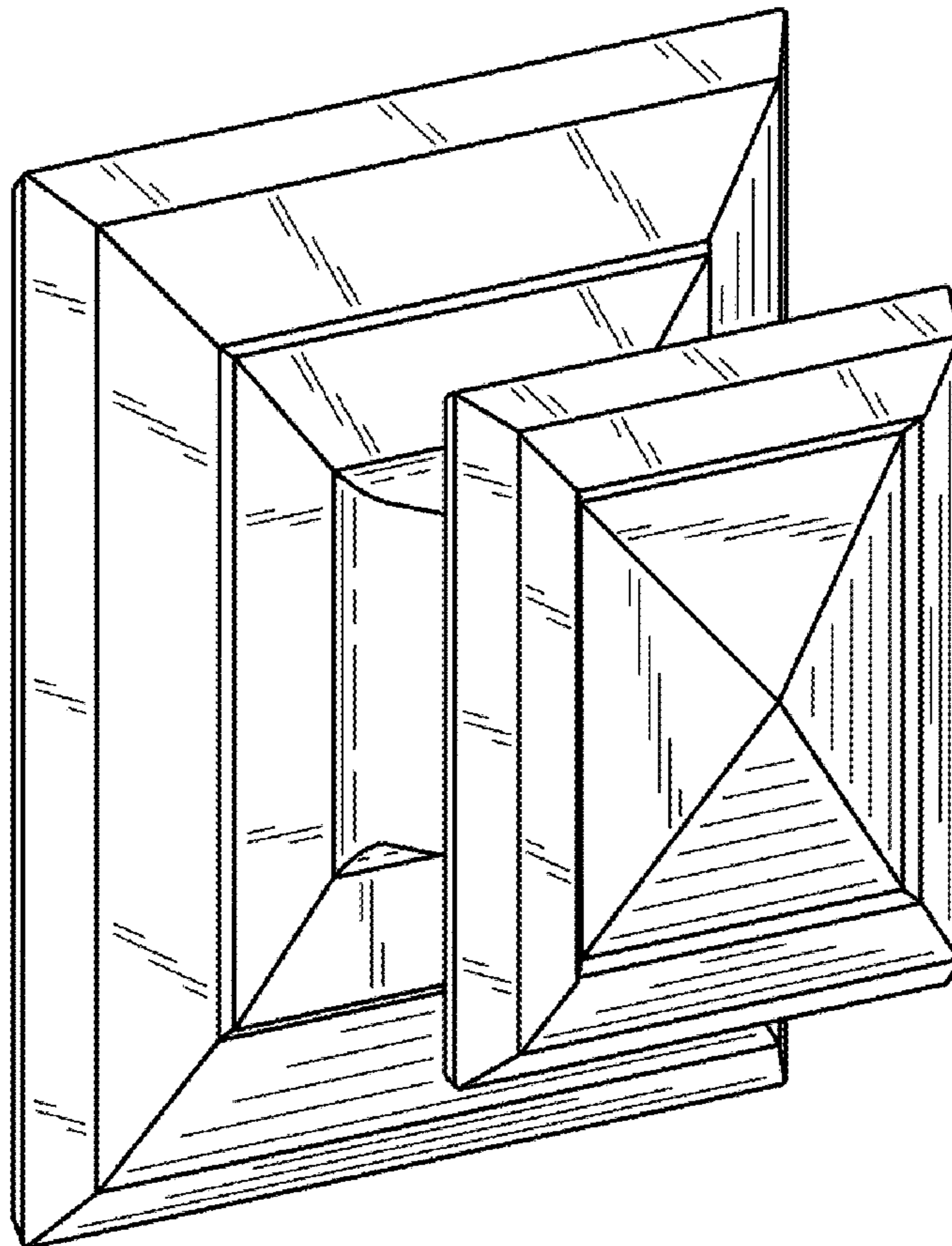
FIG. 2 is a front view thereof;

FIG. 3 is a rear view thereof; and,

FIG. 4 is a top view thereof; the bottom, left side, and right side views being identical.

The portions of the holder in FIG. 3 shown in broken lines are included to show features that form no part of the claimed design.

1 Claim, 1 Drawing Sheet



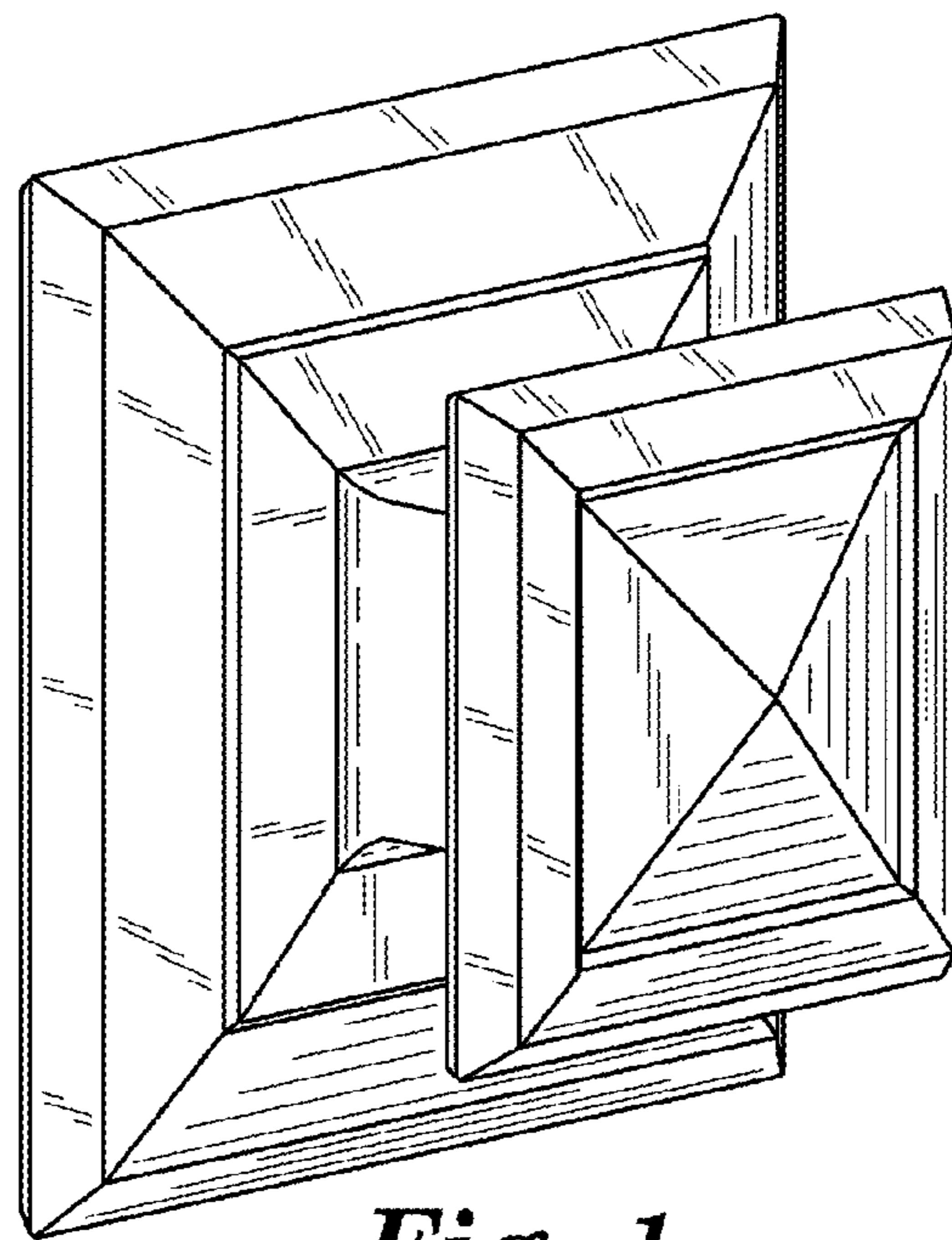


Fig. 1

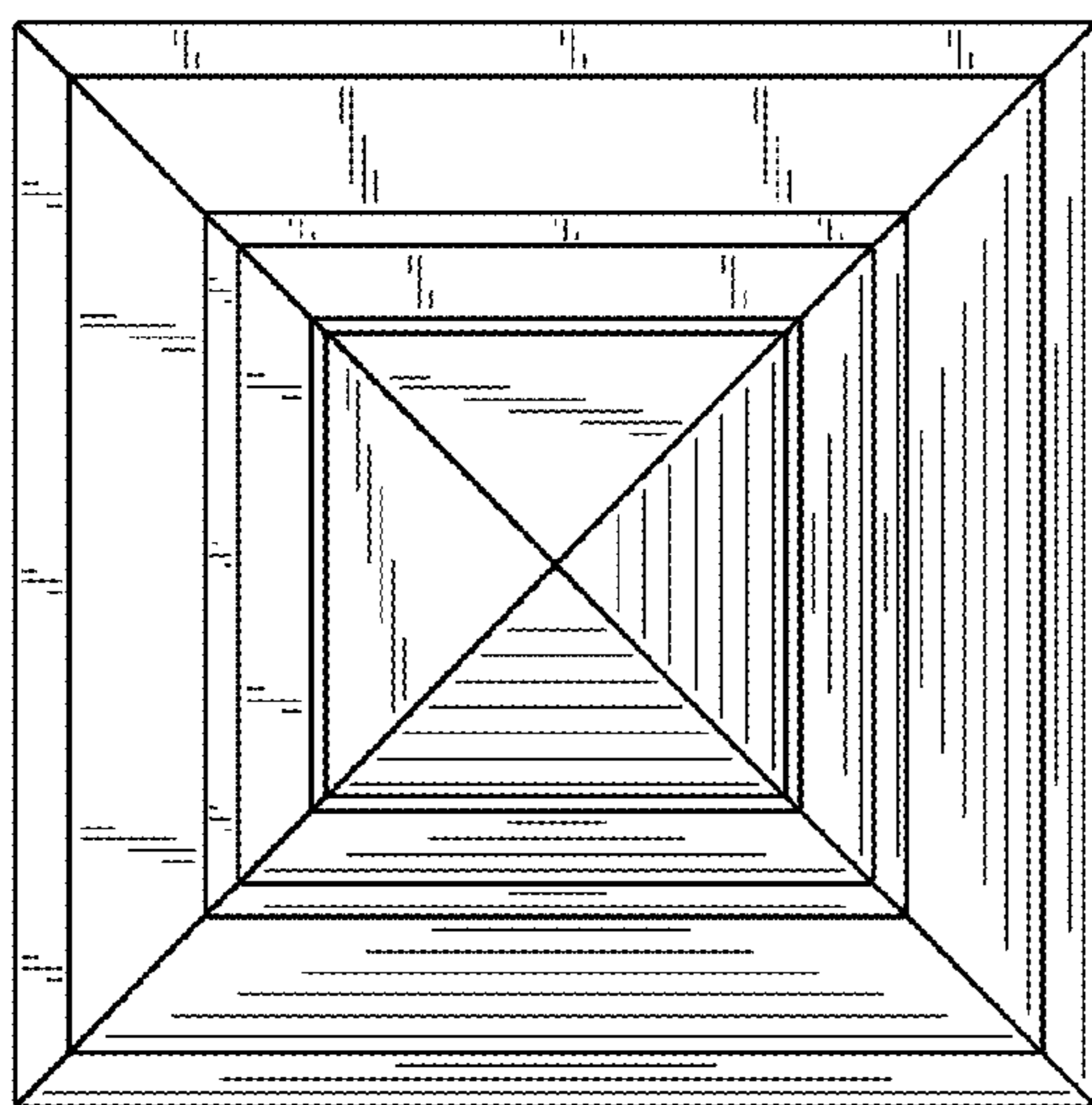


Fig. 2

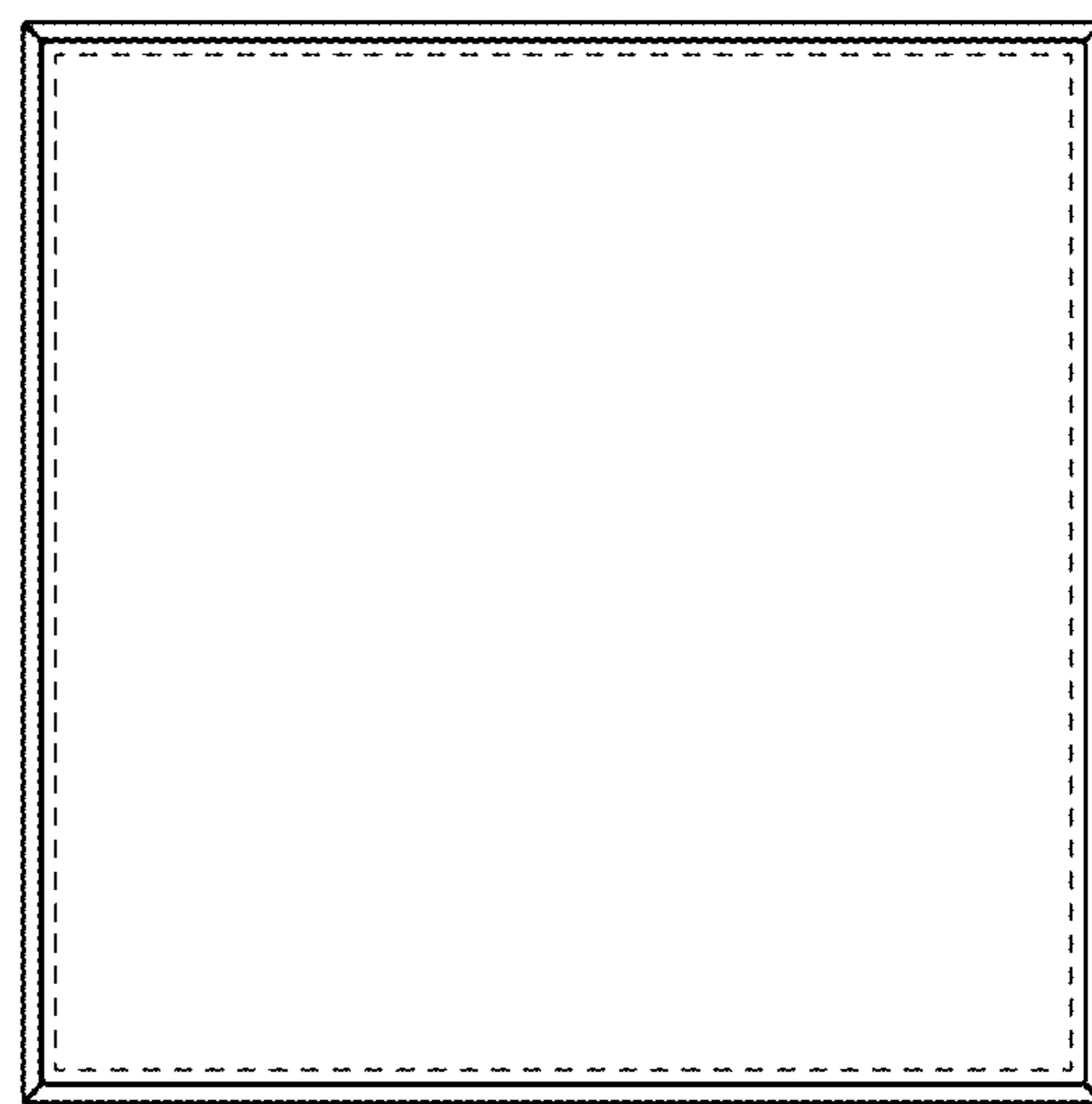


Fig. 3

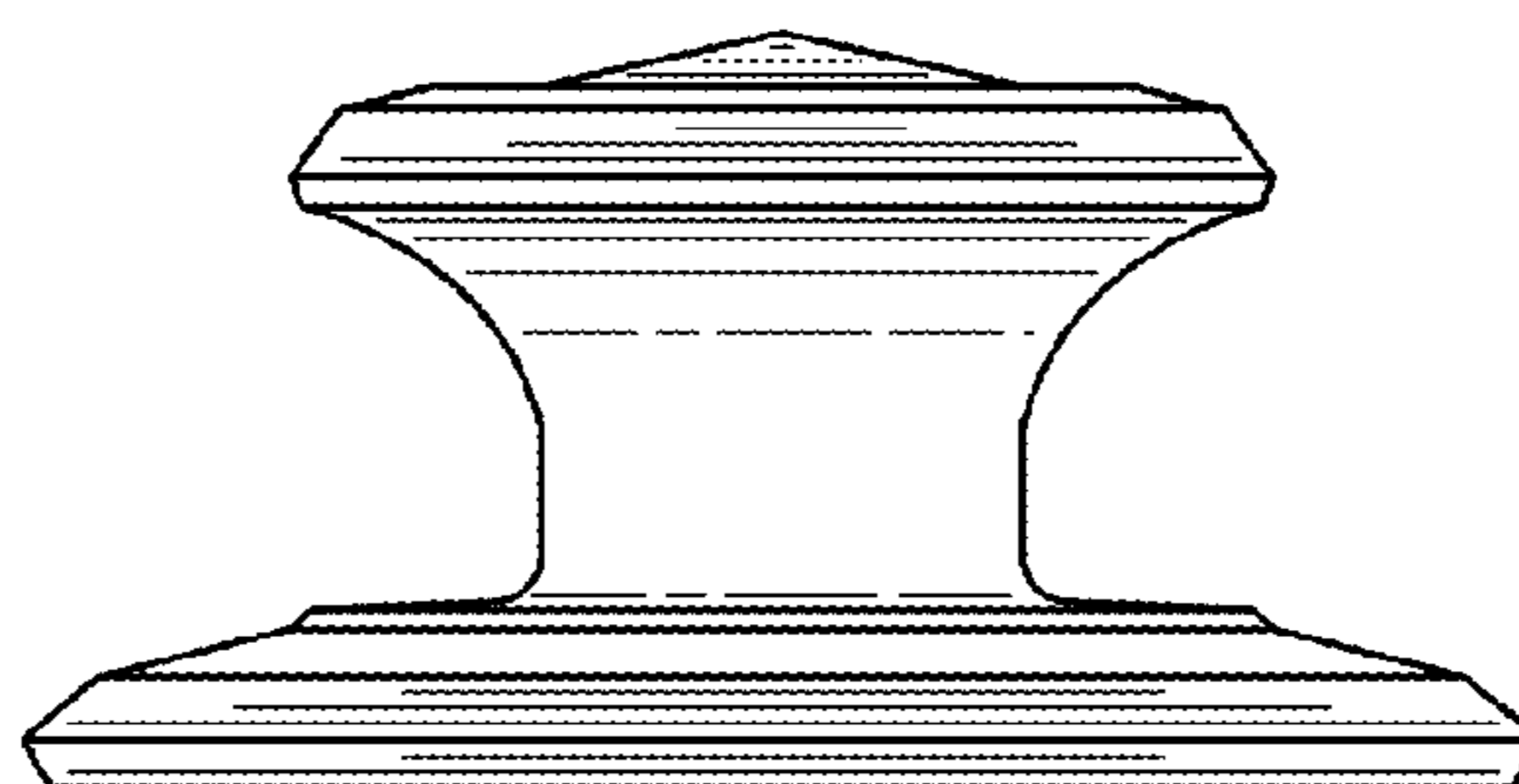


Fig. 4