



US00D784040S

(12) **United States Design Patent** (10) **Patent No.:** **US D784,040 S**
Herrero (45) **Date of Patent:** **** Apr. 18, 2017**

(54) **SINK MOUNTED PAPER TOWEL ROLL HOLDER**

(71) Applicant: **Fabian Herrero**, Brockton, MA (US)

(72) Inventor: **Fabian Herrero**, Brockton, MA (US)

(**) Term: **15 Years**

(21) Appl. No.: **29/551,961**

(22) Filed: **Jan. 19, 2016**

(51) **LOC (10) Cl.** **23-02**

(52) **U.S. Cl.**
USPC **D6/522**

(58) **Field of Classification Search**
USPC D6/518-523; 211/13.1, 16, 85.5, 86.01, 211/87.01, 88.04, 100, 105.1, 105.2, 106, 211/113, 123, 181.1, 182-183; 242/570, 242/590, 595-598; 248/49, 175, 176.1, 248/200, 201, 205.1, 251, 302, 309.1, 248/315; D8/300, 370, 315; 108/28-29; D25/45
CPC A47K 10/3836; A47K 10/38
See application file for complete search history.

(56) **References Cited**

U.S. PATENT DOCUMENTS

| | | | | |
|----------------|---------|------------|-------|-------------------------|
| D310,479 S * | 9/1990 | Speetzen | | D6/566 |
| D398,466 S * | 9/1998 | Odom | | D6/521 |
| 6,079,603 A | 6/2000 | Smegal | | |
| D432,829 S * | 10/2000 | Gastelum | | D6/523 |
| D432,830 S * | 10/2000 | Gastelum | | D6/523 |
| D448,592 S * | 10/2001 | McBride | | D6/522 |
| D450,503 S * | 11/2001 | Gottwald | | D6/523 |
| 6,345,797 B1 * | 2/2002 | Ming-Hsiao | | A47K 10/40 211/105.1 |
| D477,481 S * | 7/2003 | Ouano | | D6/523 |
| 6,651,830 B2 | 11/2003 | Pan | | |
| D518,985 S | 4/2006 | Yang | | |

| | | | | |
|----------------|---------|----------------|-------|------------------------|
| D521,291 S * | 5/2006 | Ferrer Beltran | | D6/546 |
| D521,292 S * | 5/2006 | Ferrer Beltran | | D6/546 |
| D522,295 S * | 6/2006 | Ferrer Beltran | | D6/546 |
| D523,272 S * | 6/2006 | Ferrer Beltran | | D6/546 |
| D523,273 S * | 6/2006 | Ferrer Beltran | | D6/546 |
| D532,228 S | 11/2006 | Snell | | |
| D540,593 S * | 4/2007 | Hoernig | | D6/523 |
| D550,489 S * | 9/2007 | Williams | | D6/523 |
| D576,435 S * | 9/2008 | Snell | | D6/513 |
| 7,419,118 B1 | 9/2008 | Cooper | | |
| 7,445,176 B2 | 11/2008 | Byrd | | |
| D631,951 S * | 2/2011 | Bougher | | D23/303 |
| D639,590 S * | 6/2011 | Sakuma | | D6/523 |
| 8,132,766 B2 * | 3/2012 | Tooley | | A47K 5/18 248/205.5 |
| D664,797 S * | 8/2012 | Kwok | | D6/523 |
| D683,987 S * | 6/2013 | Bickler | | D6/523 |
| D699,967 S * | 2/2014 | Goodman | | D6/522 |
| D701,058 S * | 3/2014 | Goodman | | D6/522 |
| D764,207 S * | 8/2016 | Goodman | | D6/522 |

(Continued)

FOREIGN PATENT DOCUMENTS

CN 201899433 U 7/2011

Primary Examiner — David Muller
Assistant Examiner — Nathan Johnston

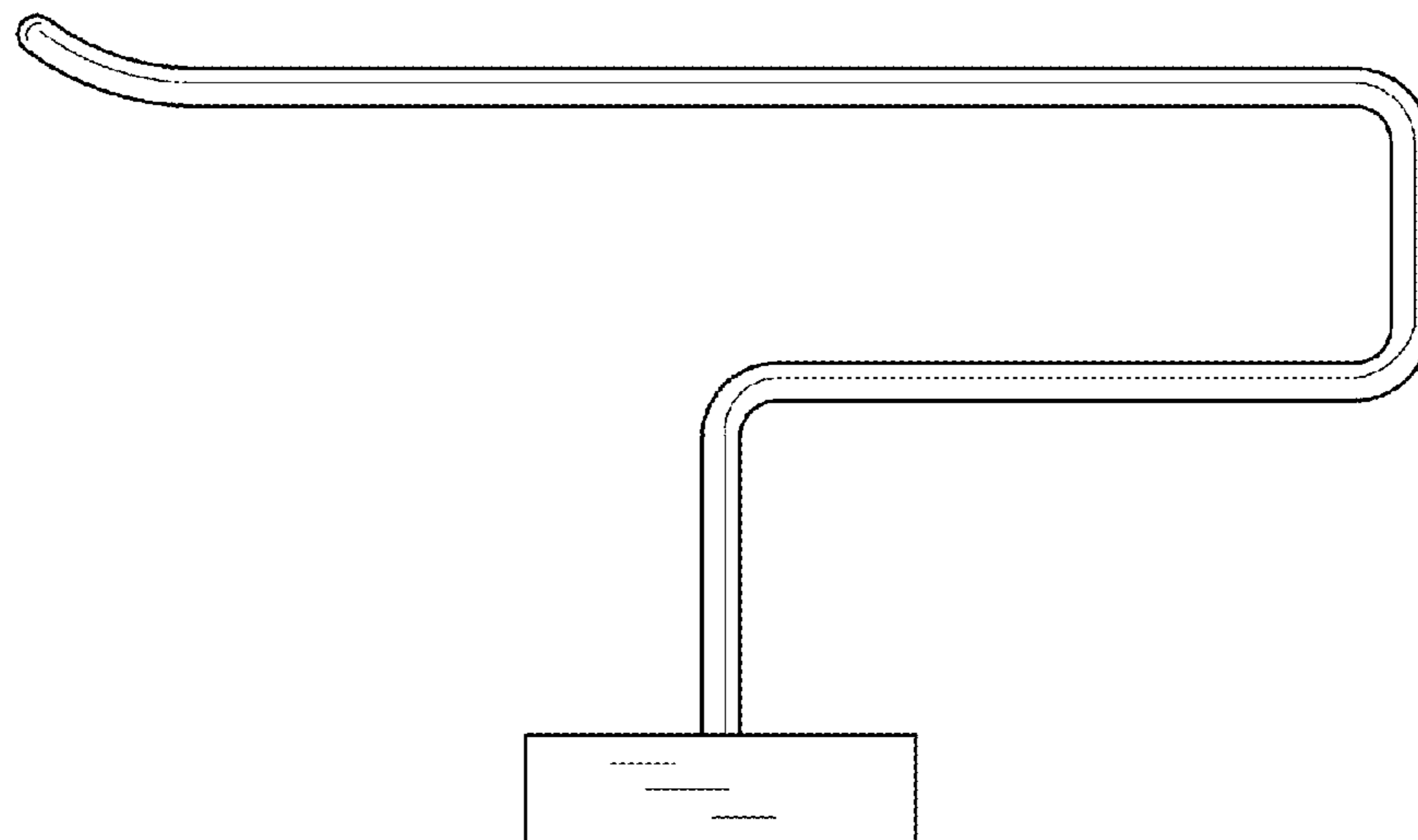
(57) **CLAIM**

I claim the ornamental design for a sink mounted paper towel roll holder, as shown and described.

DESCRIPTION

FIG. 1 is a front view of the sink mounted paper towel roll holder showing my new design.
FIG. 2 is a rear elevation view thereof.
FIG. 3 is a left side elevation view thereof.
FIG. 4 is a right side elevation view thereof.
FIG. 5 is a top plan view thereof; and,
FIG. 6 is a bottom plan view thereof.

1 Claim, 4 Drawing Sheets



(56)

References Cited

U.S. PATENT DOCUMENTS

2008/0029471 A1* 2/2008 Hurt A47B 96/00
211/119.004
2009/0078815 A1* 3/2009 Tong A47K 10/3836
242/557

* cited by examiner

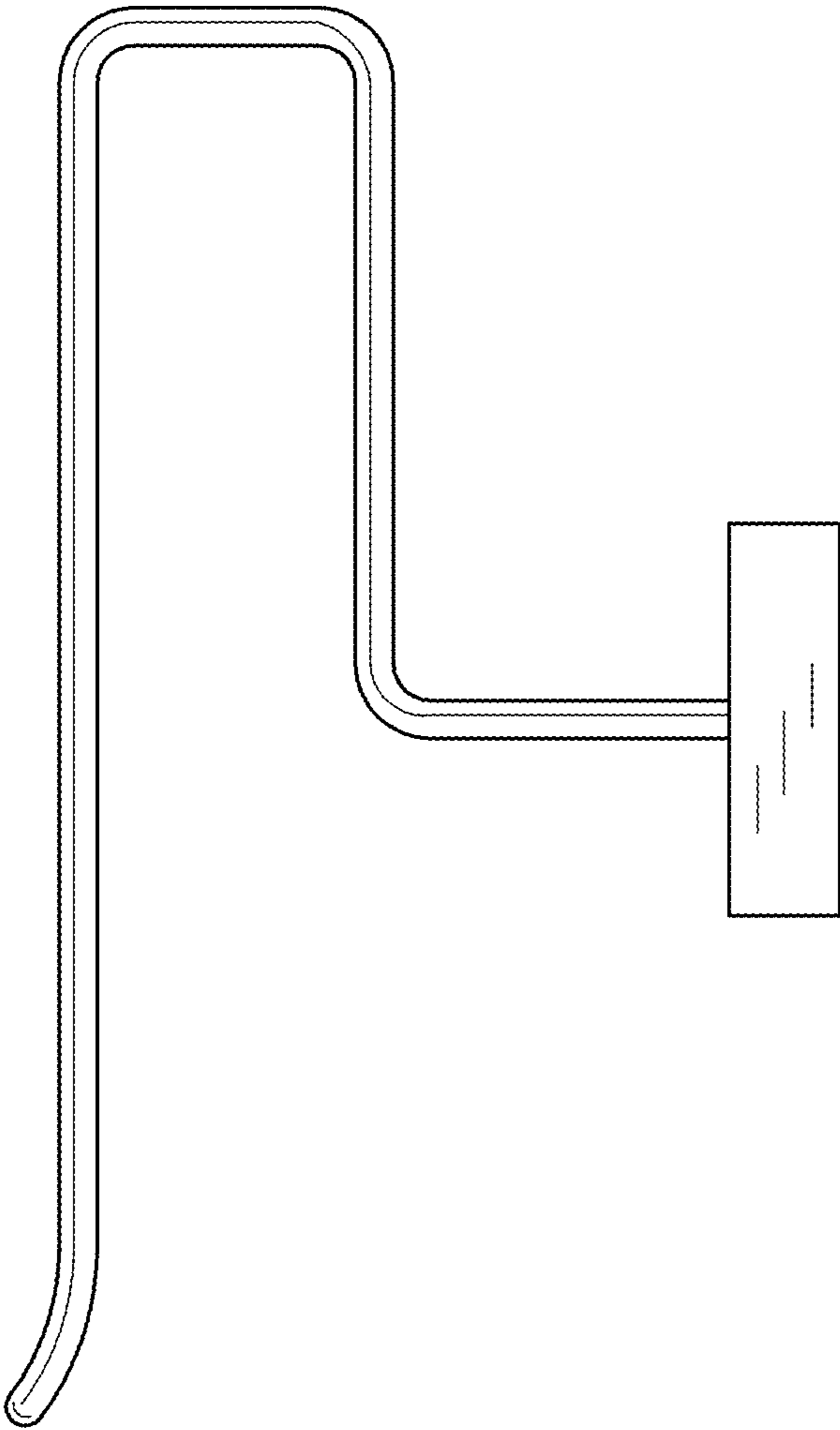


FIG. 1

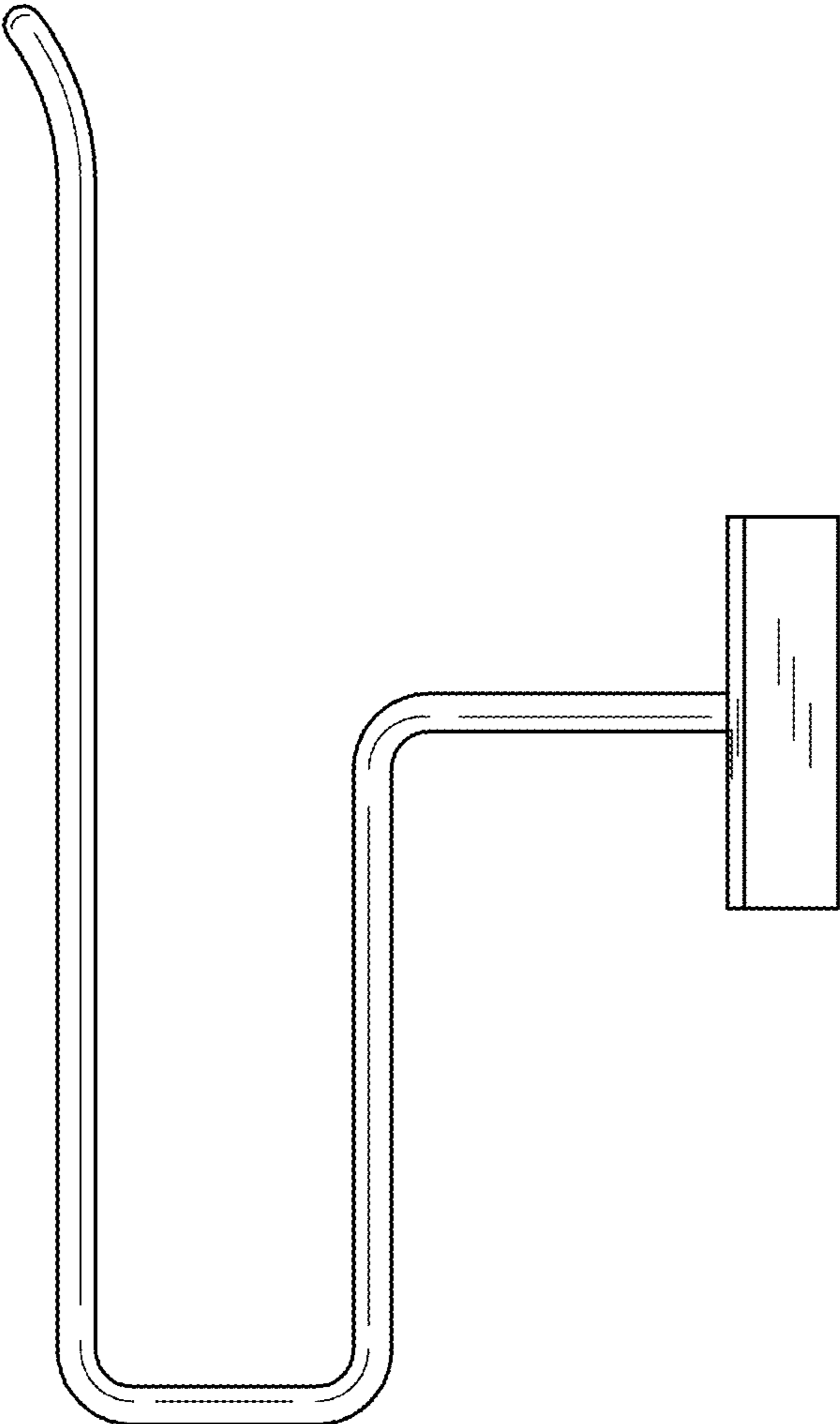


FIG. 2

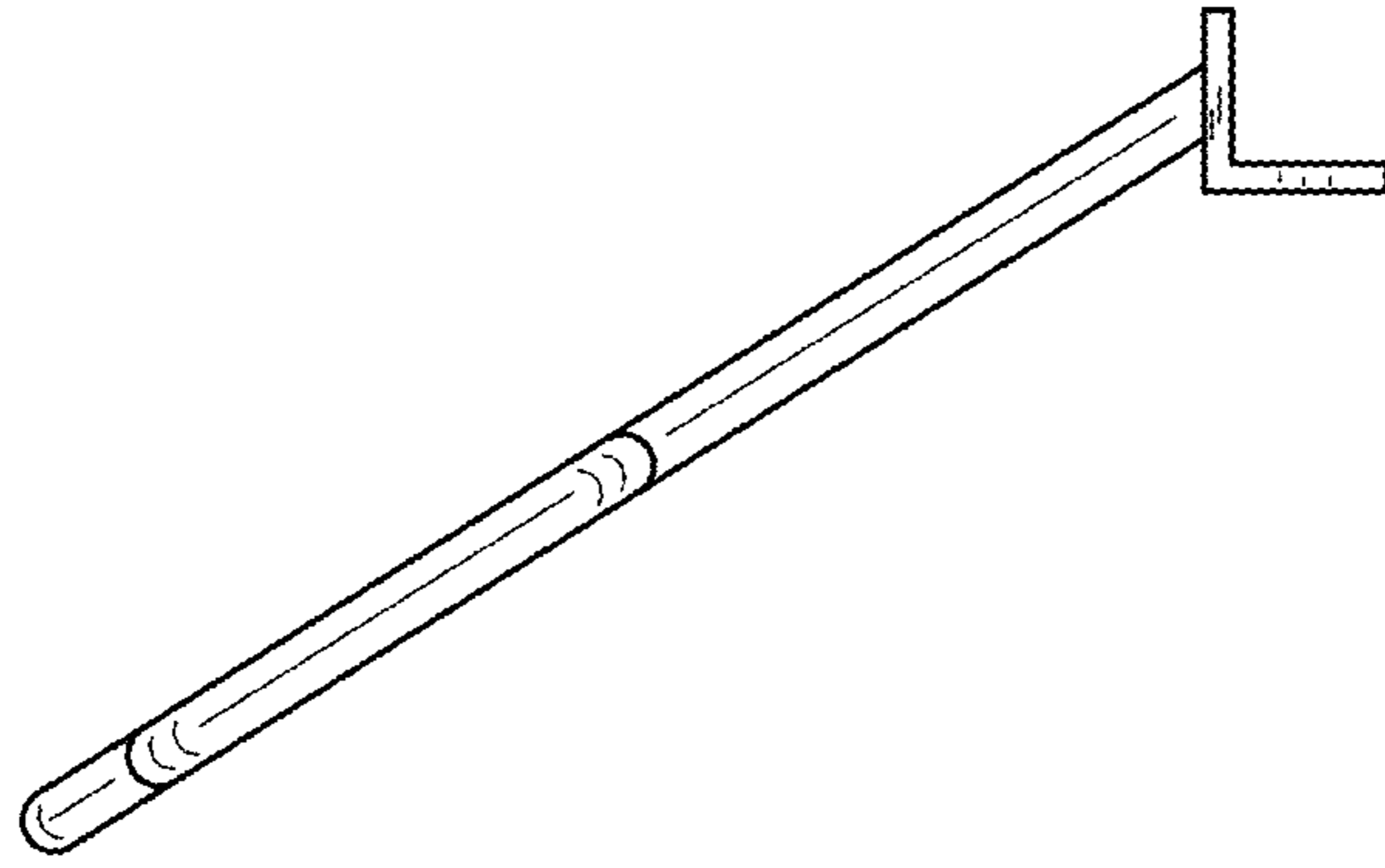


FIG. 4

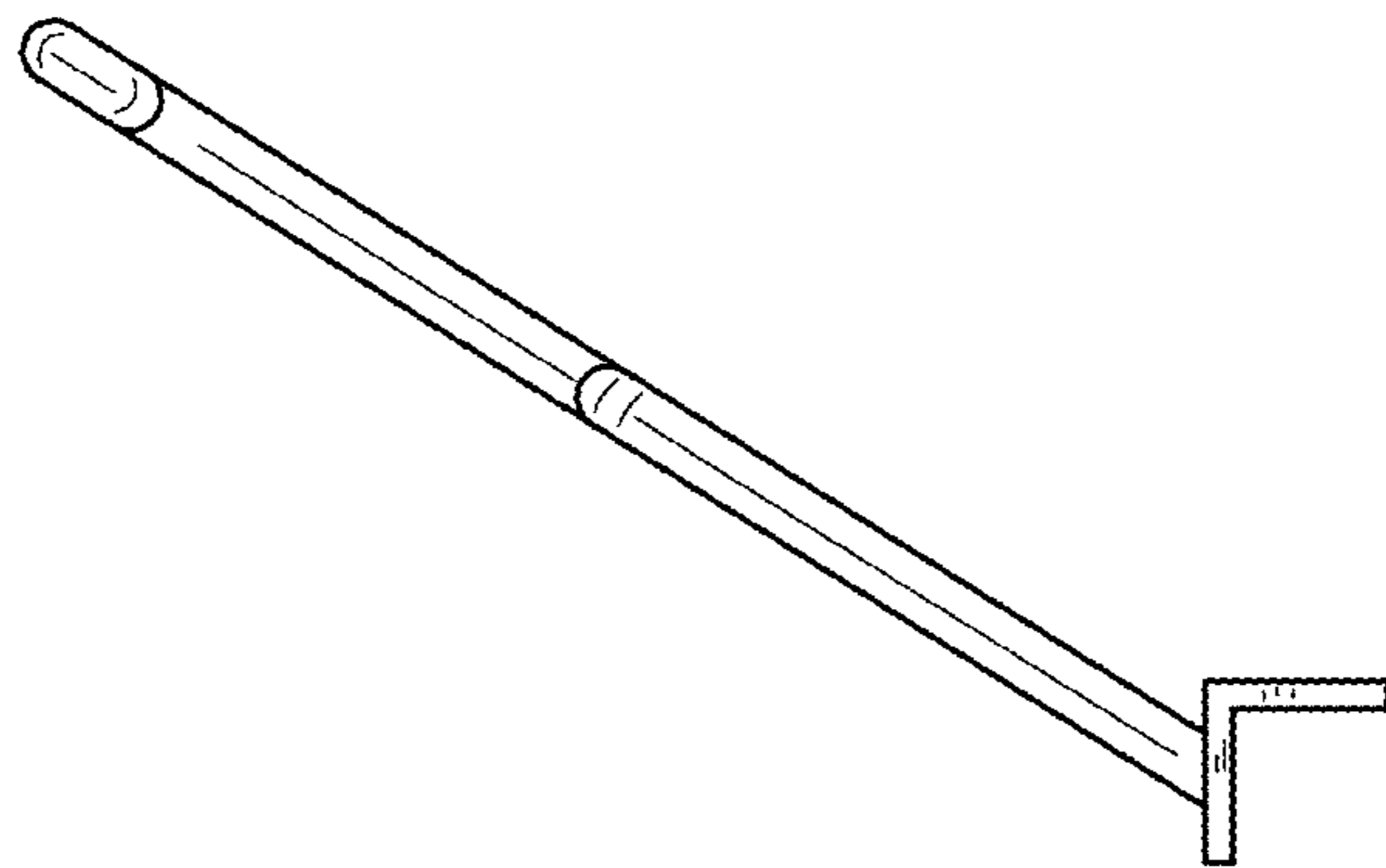


FIG. 3

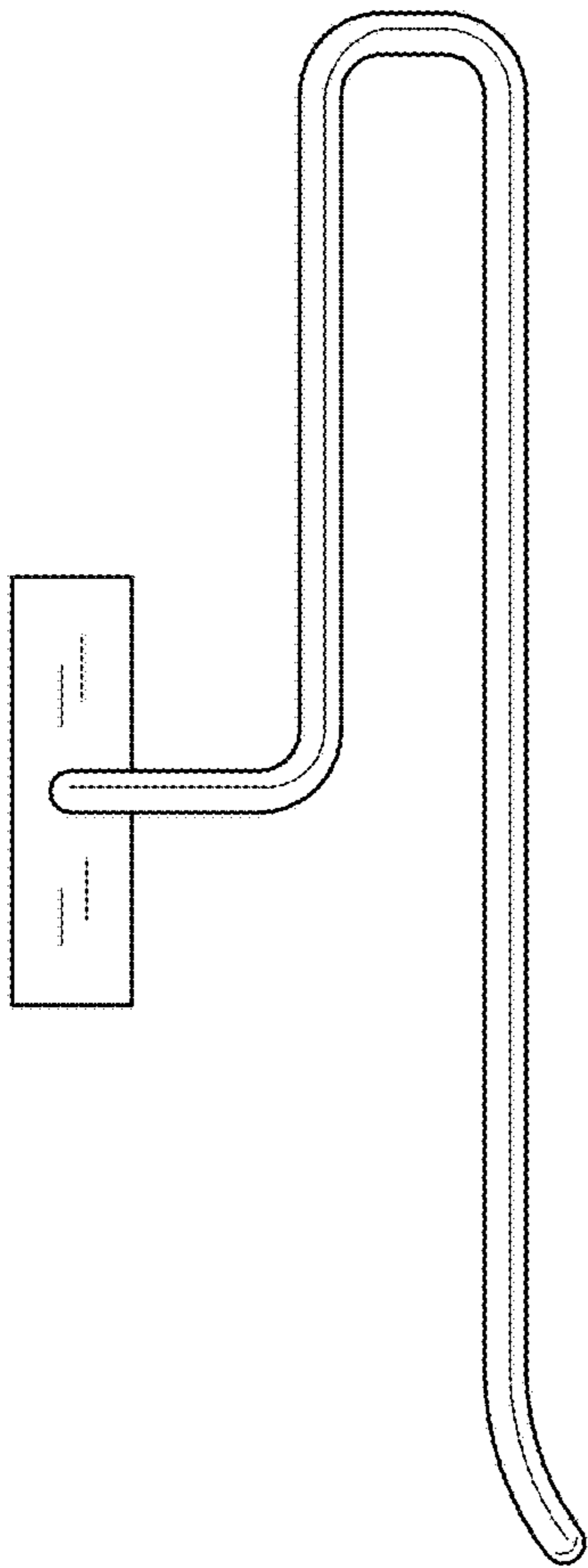


FIG. 5

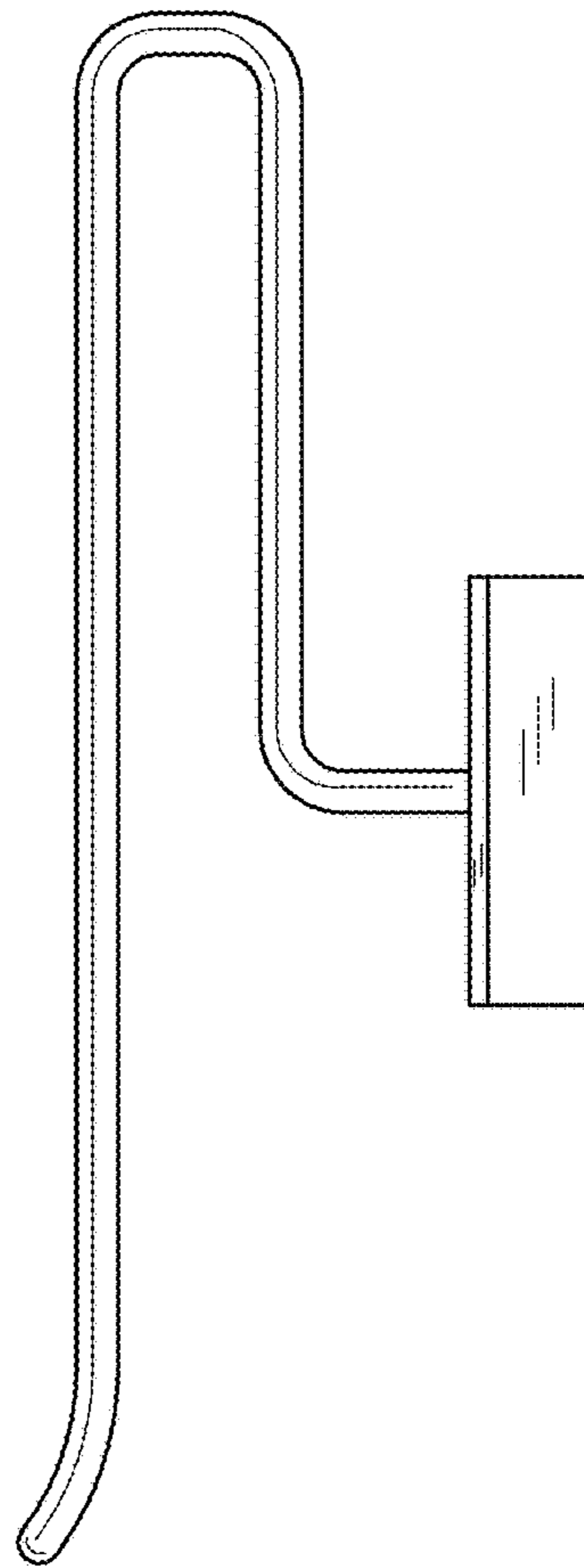


FIG. 6