



US00D784038S

(12) **United States Design Patent** (10) **Patent No.:** **US D784,038 S**  
**Pectol** (45) **Date of Patent:** **\*\* Apr. 18, 2017**

(54) **STACKING CHAIR**  
(71) Applicant: **Mity-Lite, Inc.**, Orem, UT (US)  
(72) Inventor: **Matt Pectol**, Orem, UT (US)  
(73) Assignee: **Mity-Lite, Inc.**, Orem, UT (US)  
(\*\*) Term: **15 Years**

3,291,523 A 12/1966 Kreuger  
3,291,529 A 12/1966 Straits  
3,402,963 A 9/1968 Fujioka et al.  
3,610,686 A 10/1971 Caruso  
3,639,001 A 2/1972 Anderson  
3,669,496 A 6/1972 Chisholm  
3,669,497 A 6/1972 Massonnet  
(Continued)

**FOREIGN PATENT DOCUMENTS**

CA 8503 A 8/1878

(21) Appl. No.: **29/544,424**

(22) Filed: **Nov. 3, 2015**

(51) **LOC (10) Cl.** ..... **06-01**

(52) **U.S. Cl.**  
USPC ..... **D6/380**

(58) **Field of Classification Search**  
USPC ..... D6/334-336, 370, 371, 373, 374, 376,  
D6/379, 380, 716, 716.1, 716.2, 716.4  
CPC .... A47C 3/04; A47C 4/02; A47C 4/03; A47C  
4/024; A47C 4/028; A47C 7/16; A47C  
7/18

See application file for complete search history.

(56) **References Cited**

**U.S. PATENT DOCUMENTS**

2,098,888 A 11/1937 Schadler  
2,126,439 A 8/1938 Zerbee  
2,127,710 A 8/1938 Baker  
2,699,814 A 1/1955 Kahm  
2,706,517 A 4/1955 Dexter et al.  
2,874,755 A 2/1959 Smith  
3,031,227 A 4/1962 Van Buren, Jr.  
3,087,755 A 4/1963 Boman  
3,111,344 A 11/1963 Hoven et al.  
3,123,399 A 3/1964 Wilson  
3,133,762 A 5/1964 Newman  
3,159,425 A 12/1964 Engstrom  
3,207,551 A 9/1965 Axtell  
3,246,928 A 4/1966 Haynes et al.  
3,278,227 A 10/1966 Rowland

**OTHER PUBLICATIONS**

Gasser Chair Company Inc, "Product Summary Catalog", Gasser Chair Company, Inc., 1999, 10 pages, Youngstown, OH.

(Continued)

*Primary Examiner* — Mimoso De  
(74) *Attorney, Agent, or Firm* — Thorpe, North & Western, LLP

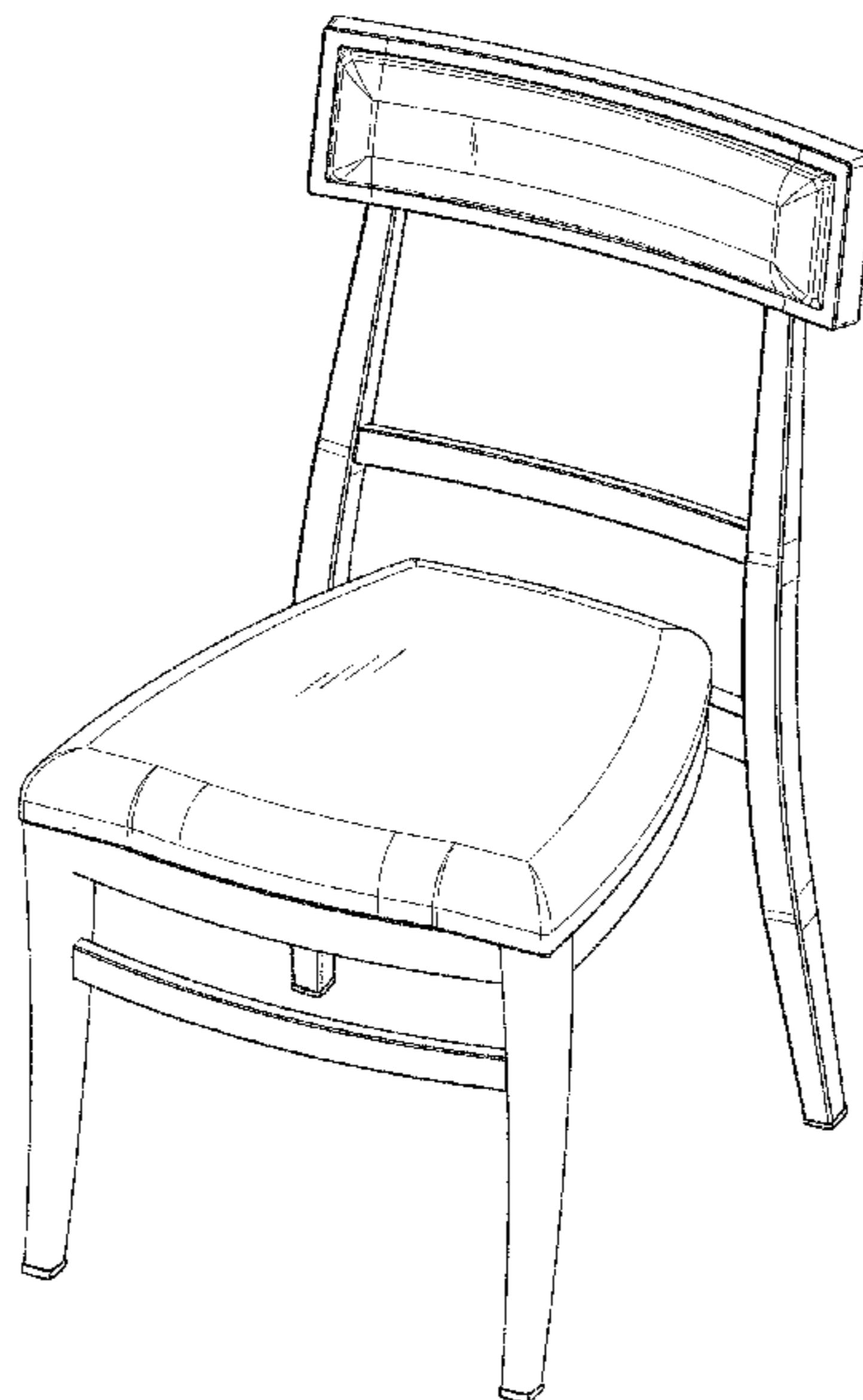
(57) **CLAIM**

The ornamental design for the stacking chair, as shown and described herein.

**DESCRIPTION**

FIG. 1 is an elevated, perspective view of the stacking chair in accordance with my invention;  
FIG. 2 is a front elevation view thereof;  
FIG. 3 is a rear elevation view thereof;  
FIG. 4 is a side elevation view thereof, an opposing side elevation view being the mirror image thereof;  
FIG. 5 is a top plan view thereof; and,  
FIG. 6 is a bottom plan view thereof.  
The broken lines shown in FIG. 6 are for illustrative purposes only and form no part of the claimed design.

**1 Claim, 4 Drawing Sheets**



(56)

References Cited

U.S. PATENT DOCUMENTS

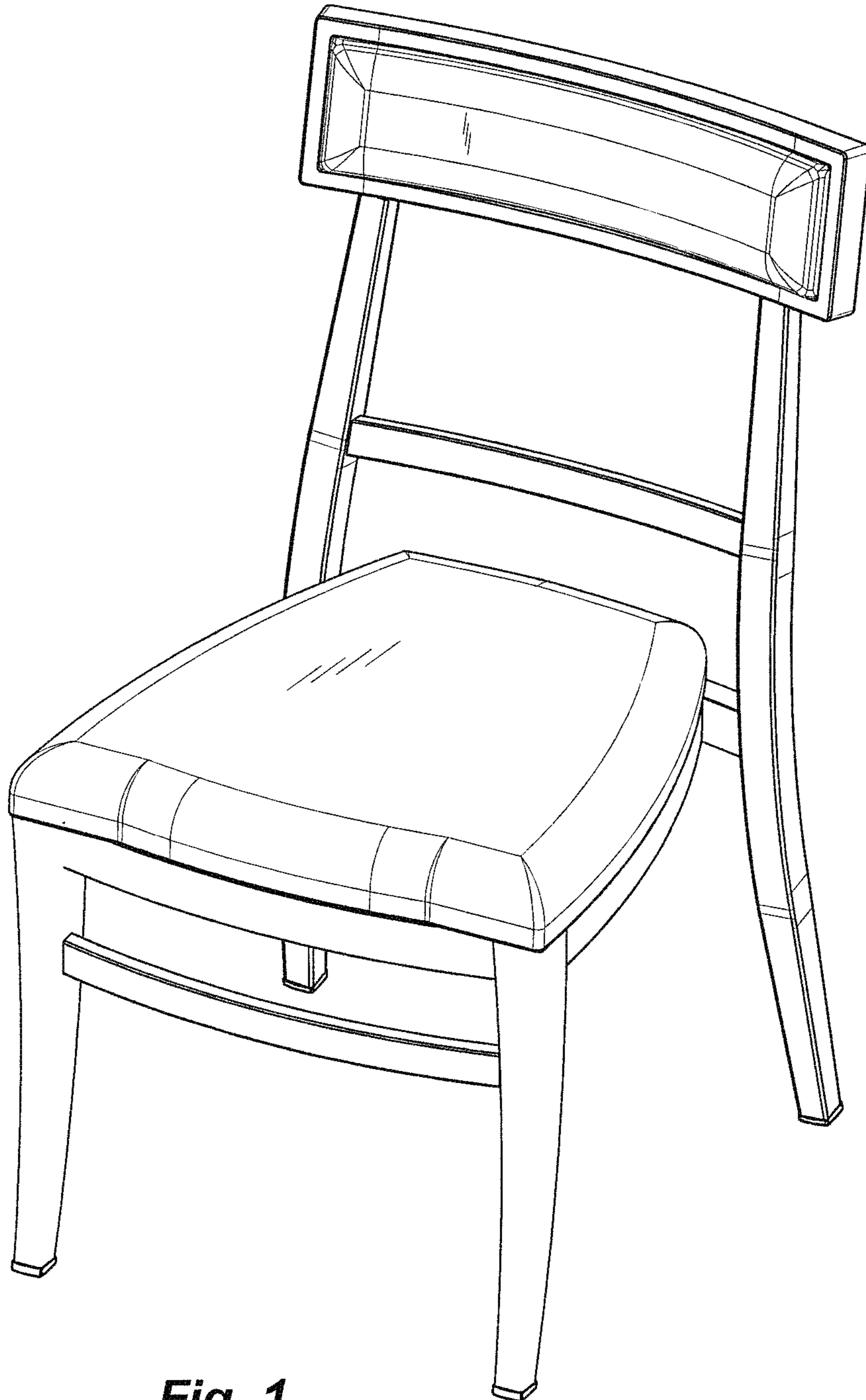
3,708,202 A 1/1973 Barecki et al.  
 3,774,967 A 11/1973 Rowland  
 3,847,433 A 11/1974 Acton et al.  
 3,899,207 A 8/1975 Mueller  
 4,057,288 A 11/1977 Schwartz et al.  
 4,400,031 A 8/1983 DeDecker  
 4,456,296 A 6/1984 Rowland  
 4,549,764 A 10/1985 Haedo  
 4,580,836 A 4/1986 Verney  
 4,603,904 A 8/1986 Tolleson et al.  
 4,639,042 A 1/1987 Lange  
 4,648,653 A 3/1987 Rowland  
 4,655,504 A 4/1987 Weber  
 4,790,595 A 12/1988 Hensel et al.  
 4,852,944 A 8/1989 Hartmann  
 4,869,552 A 9/1989 Tolleson et al.  
 4,962,964 A 10/1990 Snodgrass  
 4,978,168 A 12/1990 Piretti  
 5,002,337 A 3/1991 Engel et al.  
 5,039,163 A 8/1991 Tolleson  
 5,064,247 A 11/1991 Clark et al.  
 5,071,191 A 12/1991 Leib  
 5,110,186 A 5/1992 Clark et al.  
 5,123,702 A 6/1992 Caruso  
 5,248,186 A 9/1993 Steinfeld et al.  
 5,282,669 A 2/1994 Barile  
 D345,477 S 3/1994 Infanti  
 D345,478 S 3/1994 Infanti  
 D345,479 S 3/1994 Infanti  
 5,383,712 A 1/1995 Perry  
 D396,759 S \* 8/1998 Duenkelsbuehler ..... D6/370  
 5,860,697 A 1/1999 Fewchuk  
 5,863,096 A 1/1999 Bartlmae  
 D407,912 S \* 4/1999 Walters, III ..... D6/379  
 5,902,012 A 5/1999 Han  
 D411,397 S 6/1999 Arango  
 5,961,184 A 10/1999 Balderi et al.  
 5,997,084 A 12/1999 Barile et al.  
 D418,322 S 1/2000 Hock  
 6,050,646 A 4/2000 Stenzel et al.  
 D425,717 S 5/2000 Tseng  
 6,106,061 A 8/2000 Caruso et al.  
 D431,400 S 10/2000 Grove  
 D432,805 S 10/2000 Smith  
 D435,977 S 1/2001 Ambasz  
 D436,457 S 1/2001 Ambasz  
 6,206,469 B1 3/2001 Caruso et al.  
 D440,784 S 4/2001 Ambasz  
 D445,585 S \* 7/2001 O'Hare ..... D6/379  
 D446,661 S 8/2001 Ambasz  
 D447,355 S \* 9/2001 Copeland ..... D6/380  
 D452,619 S 1/2002 Piretti  
 D460,300 S 7/2002 Fifield et al.  
 6,471,293 B2 10/2002 Ware et al.  
 D465,938 S 11/2002 Huang  
 D465,940 S 11/2002 Nien  
 D469,971 S 2/2003 Piretti  
 6,533,352 B1 3/2003 Glass et al.

D473,727 S 4/2003 Tsai  
 D476,162 S 6/2003 Finazzi  
 D477,470 S 7/2003 Haney et al.  
 D481,879 S 11/2003 Su  
 D494,792 S 8/2004 Schmitz et al.  
 6,779,846 B2 8/2004 Spendlove et al.  
 D495,509 S 9/2004 Breen  
 D495,891 S 9/2004 Ambasz  
 D496,547 S 9/2004 Gasser  
 D497,729 S 11/2004 Peitz et al.  
 D503,291 S 3/2005 Lucci et al.  
 6,886,890 B2 5/2005 Rowland et al.  
 6,899,396 B2 5/2005 Bales  
 D505,800 S 6/2005 Lucci et al.  
 D506,325 S 6/2005 Farber et al.  
 D506,338 S 6/2005 Gasser  
 D513,456 S 1/2006 Smith  
 D515,340 S 2/2006 Gasser  
 D517,357 S 3/2006 Gasser  
 D520,255 S \* 5/2006 King ..... D6/370  
 D521,264 S 5/2006 Ware et al.  
 D525,801 S \* 8/2006 Domack ..... D6/380  
 D526,504 S \* 8/2006 Peterson ..... D6/380  
 7,156,459 B2 1/2007 Ambasz  
 D536,548 S 2/2007 Peitz et al.  
 D539,557 S 4/2007 Doughty  
 D541,069 S 4/2007 Peiz et al.  
 D544,225 S 6/2007 Cantarutti  
 D544,235 S 6/2007 Chen  
 D547,961 S \* 8/2007 Hutton ..... D6/370  
 D558,999 S 1/2008 Cantarutti  
 D581,708 S 12/2008 Su  
 D599,127 S 9/2009 Smith  
 D607,655 S 1/2010 Kubryk  
 D607,657 S 1/2010 Kubryk  
 7,717,511 B2 5/2010 Huang  
 D624,327 S 9/2010 Swy  
 7,998,551 B2 8/2011 Gasser  
 2002/0053822 A1 5/2002 Ware et al.  
 2005/0264087 A1 12/2005 Diffrient  
 2007/0222266 A1 9/2007 Lucci et al.  
 2008/0166515 A1 7/2008 Gasser  
 2008/0315645 A1 12/2008 Hock  
 2008/0315646 A1 12/2008 Hock

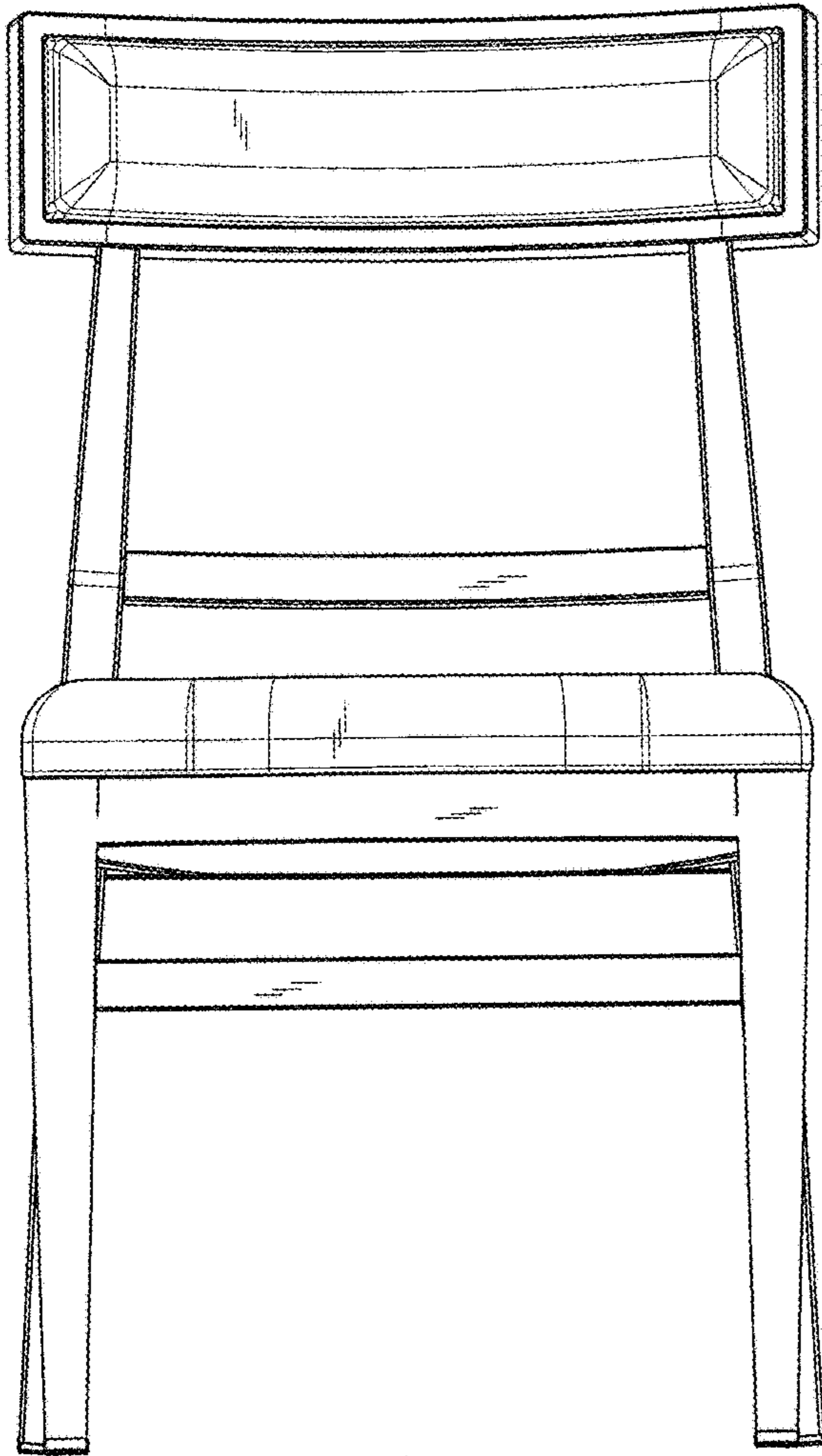
OTHER PUBLICATIONS

Mity-Lite, "2010 Product Catalog", Mity-Lite Inc, 2010, 36 pages.  
 Mity-Lite, "Comfort Seating, Banquet Chairs, Classic Series", Mity-Lite Inc, 2011, 2 pages, Orem, UT.  
 Mity-Lite, "Comfort Seating, Banquet Chairs, Essential Series", Mity-Lite Inc, 2011, 2 pages, Orem, UT.  
 Mity-Lite, "Comfort Seating, Banquet Chairs, Prestige Series", Mity-Lite Inc, 2011, 2 pages, Orem, UT.  
 MTS, "Banquet/Stacking Look Book", MTS Seating, Apr. 2010, 8 pages, Temperance, MI.  
 Shelby Williams, "Aluminum Action Back Series", <http://www.shelbywilliams.com/images/BQT-14A.JPG>, as accessed on Mar. 1, 2002, 17 pages.

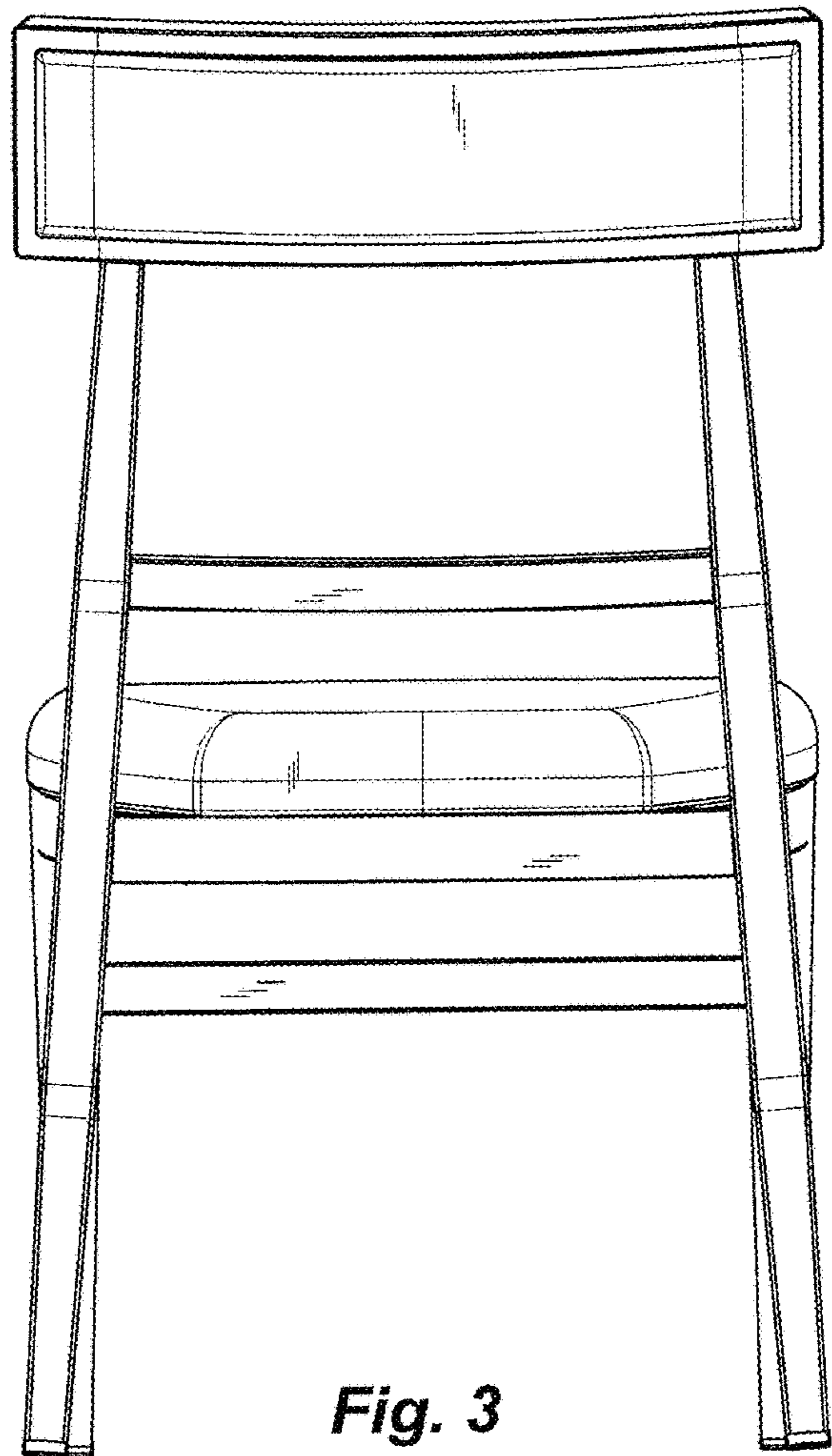
\* cited by examiner



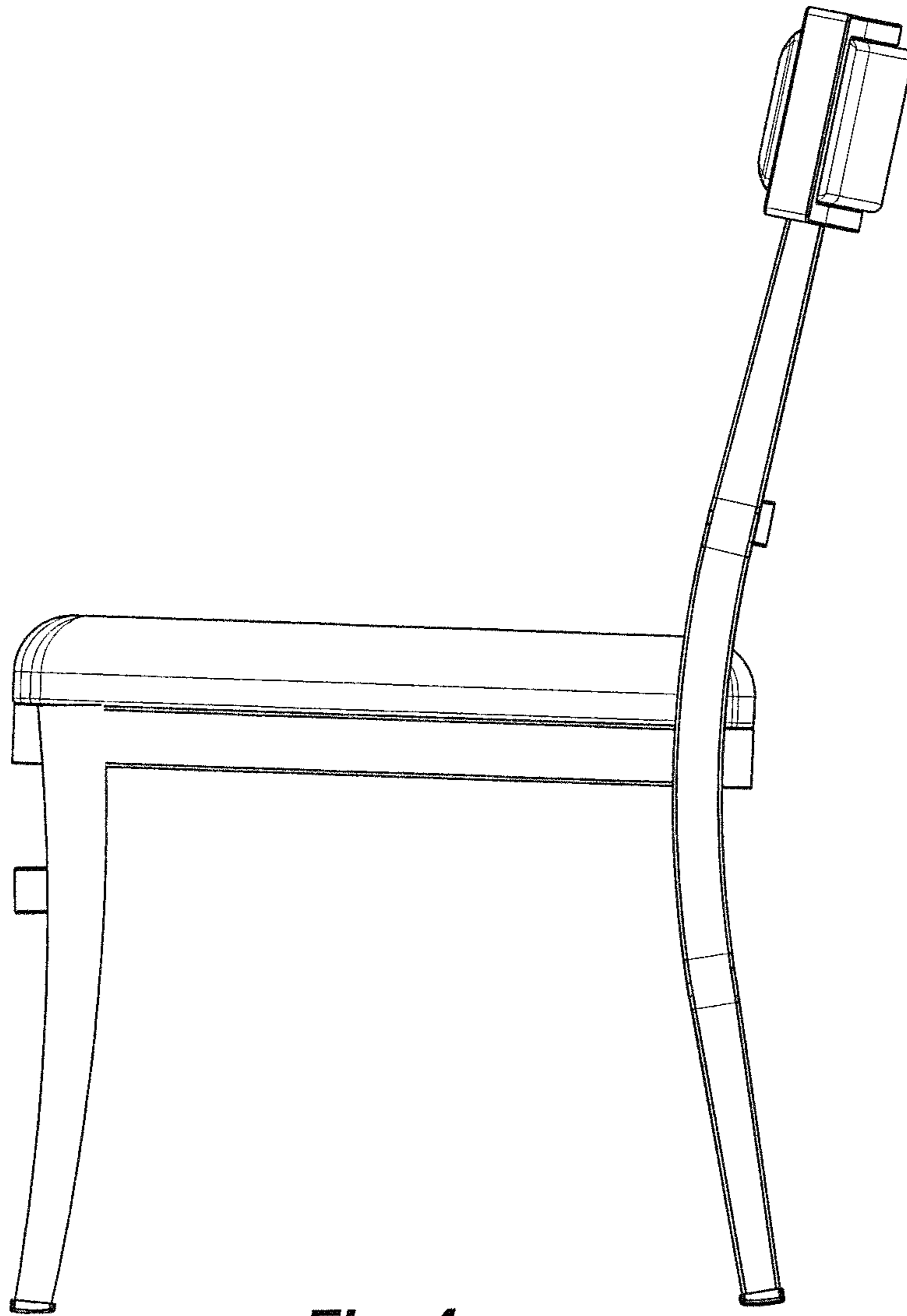
**Fig. 1**



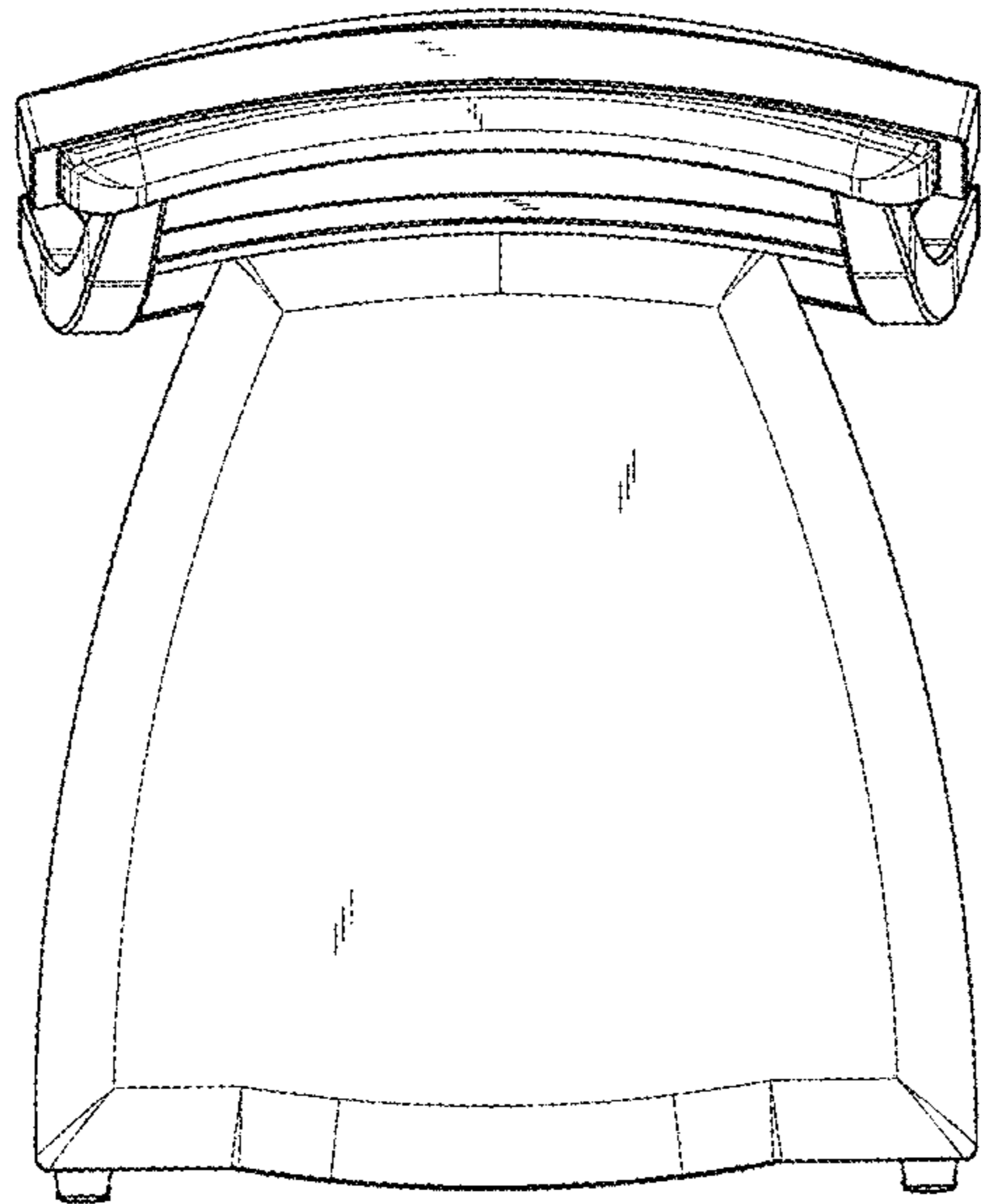
*Fig. 2*



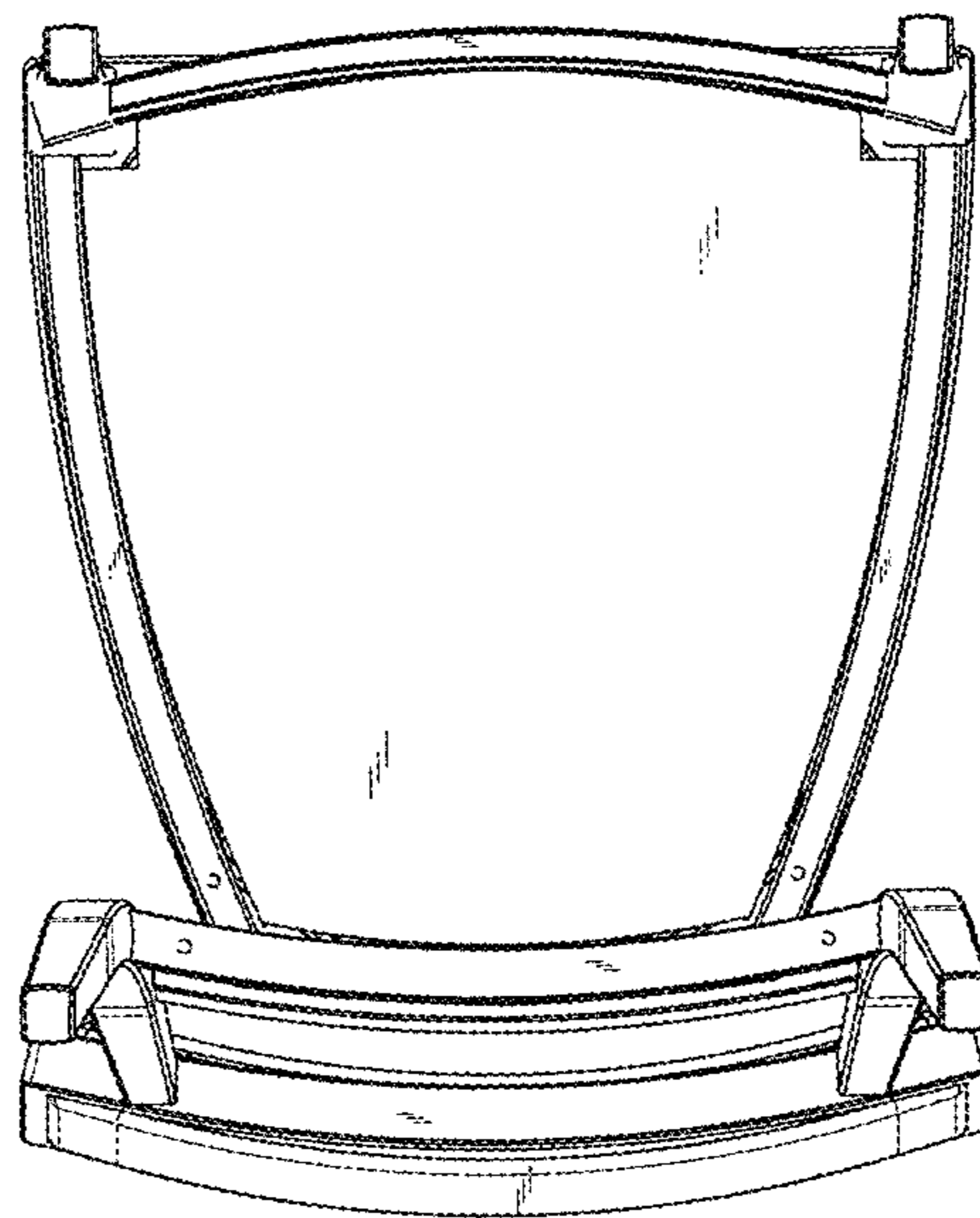
*Fig. 3*



**Fig. 4**



*Fig. 5*



*Fig. 6*