



US00D784037S

(12) **United States Design Patent**  
**Tsai**

(10) **Patent No.:** **US D784,037 S**  
(45) **Date of Patent:** **\*\* Apr. 18, 2017**

(54) **CHAIR BODY**  
(71) Applicant: **ZHONGSHAN SHI SONGLIN FURNITURE CO., LTD**, Zhongshan, Guangdong Prov (CN)  
(72) Inventor: **Hsuan-Chin Tsai**, Chai-Yi Hsien (CN)  
(73) Assignee: **Zhongshan Shi Songlin Furniture Co., Ltd.**, Zhongshan (CN)

D579,226 S \* 10/2008 Pinaffo ..... D6/379  
D586,577 S \* 2/2009 Koh ..... D6/376  
D589,276 S \* 3/2009 Dauphin ..... D6/380  
D591,526 S \* 5/2009 Breen ..... D6/379  
D622,974 S \* 9/2010 Igarashi ..... D6/379  
D656,761 S \* 4/2012 Igarashi ..... D6/376  
D661,509 S \* 6/2012 Wu ..... D6/379  
9,022,482 B2 \* 5/2015 Morio ..... A47C 7/40  
297/440.15

(\*\*) Term: **15 Years**  
(21) Appl. No.: **29/550,508**

\* cited by examiner  
*Primary Examiner* — Mimoso De  
(74) *Attorney, Agent, or Firm* — Alan D. Kamrath;  
Kamrath IP Lawfirm, P.A.

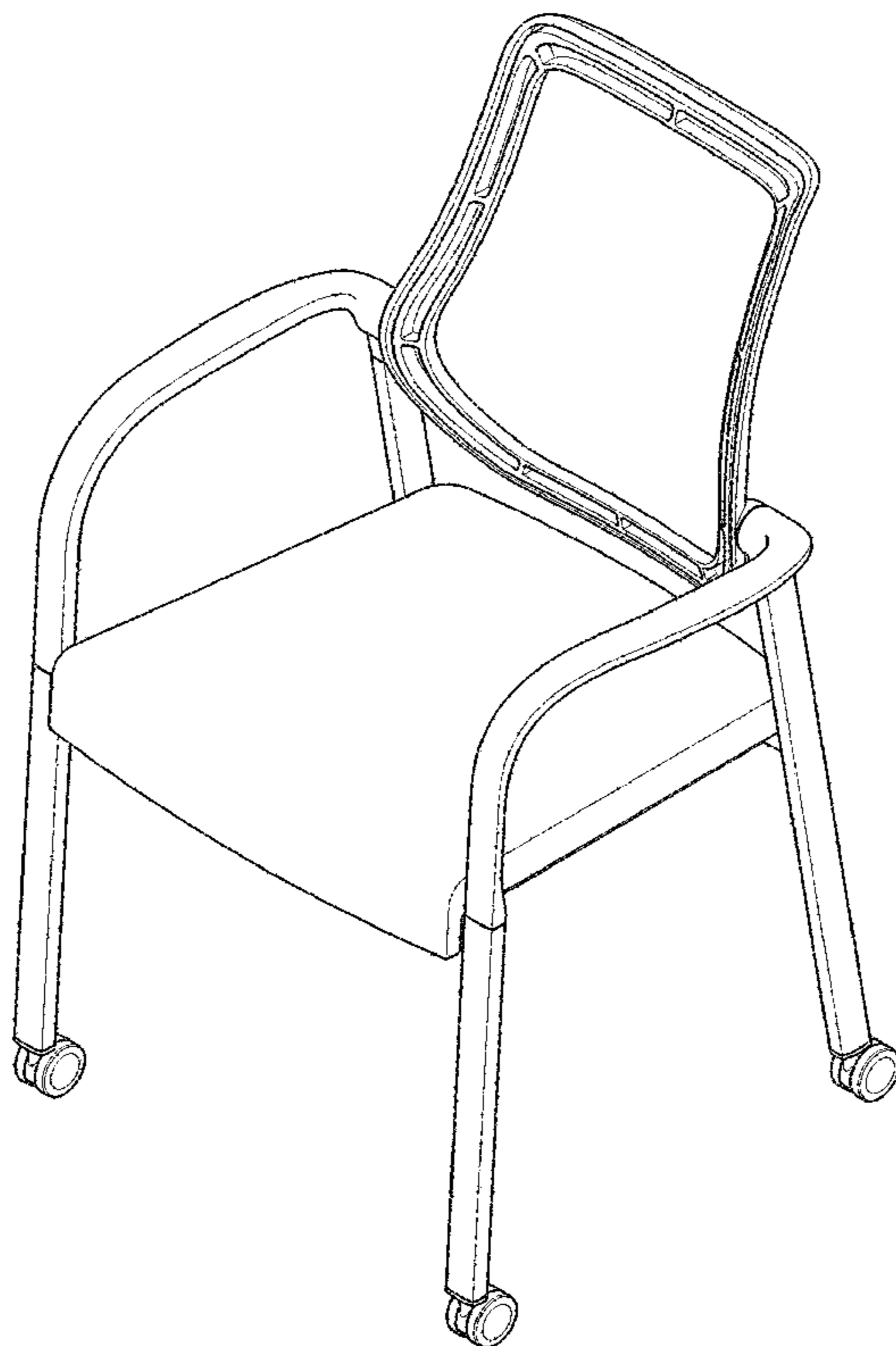
(22) Filed: **Jan. 5, 2016**  
(51) **LOC (10) Cl.** ..... **06-01**  
(52) **U.S. Cl.**  
USPC ..... **D6/379**  
(58) **Field of Classification Search**  
USPC ..... D6/334–336, 376, 379, 380, 716, 716.1,  
D6/716.2, 716.3, 716.4  
CPC .... A47C 4/02; A47C 4/03; A47C 5/04; A47C  
5/06; A47C 7/40; A47C 7/54; A47C  
7/282  
See application file for complete search history.

(57) **CLAIM**  
The ornamental design for a chair body, as shown and described.

(56) **References Cited**  
U.S. PATENT DOCUMENTS  
D514,345 S \* 2/2006 Igarashi ..... D6/379  
D544,235 S \* 6/2007 Chen ..... D6/379

**DESCRIPTION**  
FIG. 1 is a perspective view of a chair body, showing my new design;  
FIG. 2 is a front elevational view thereof;  
FIG. 3 is a rear elevational view thereof;  
FIG. 4 is a left side view thereof;  
FIG. 5 is a right side view thereof;  
FIG. 6 is a top plan view thereof; and,  
FIG. 7 is a bottom plan view thereof.

**1 Claim, 6 Drawing Sheets**



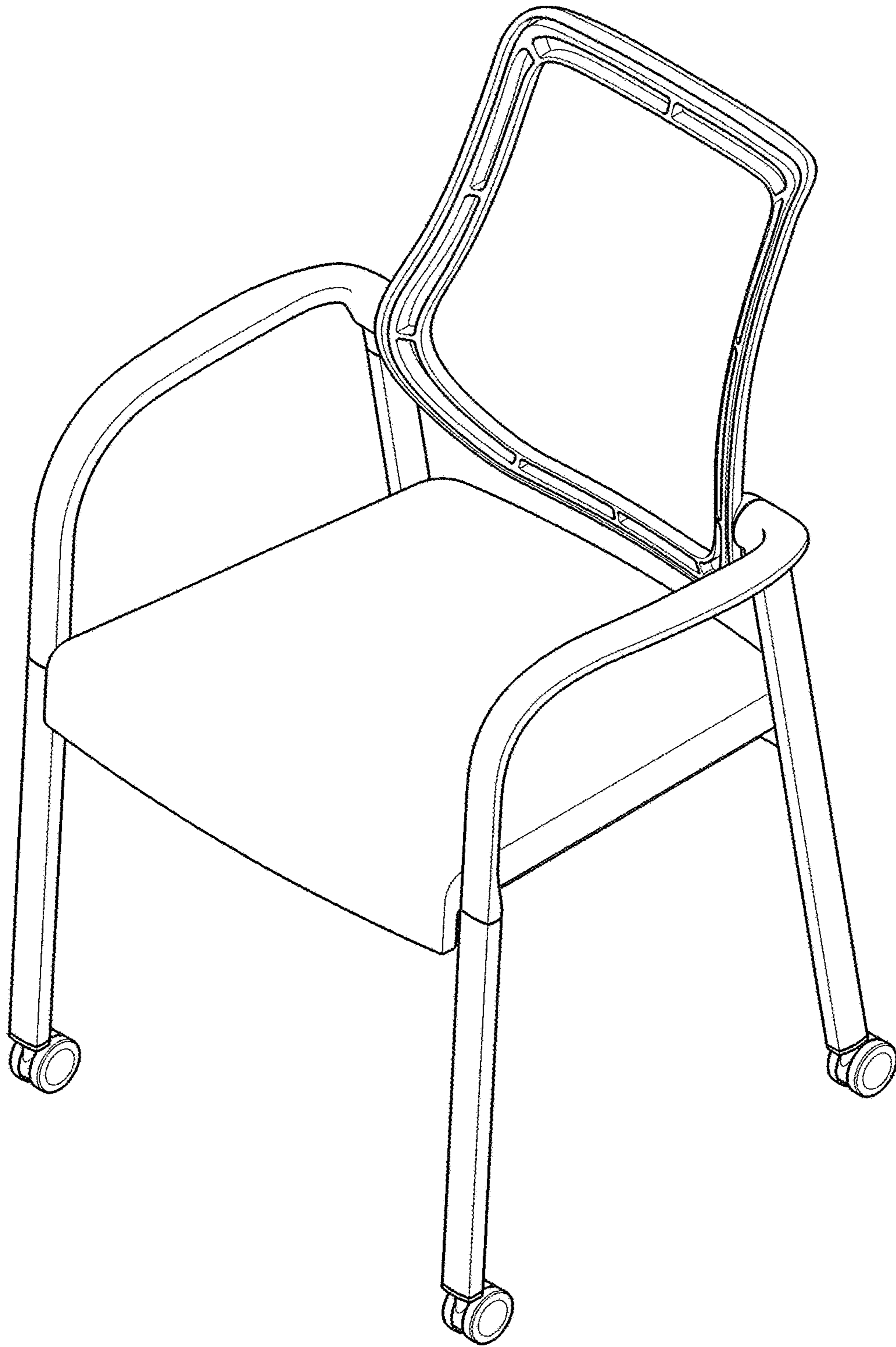


FIG. 1

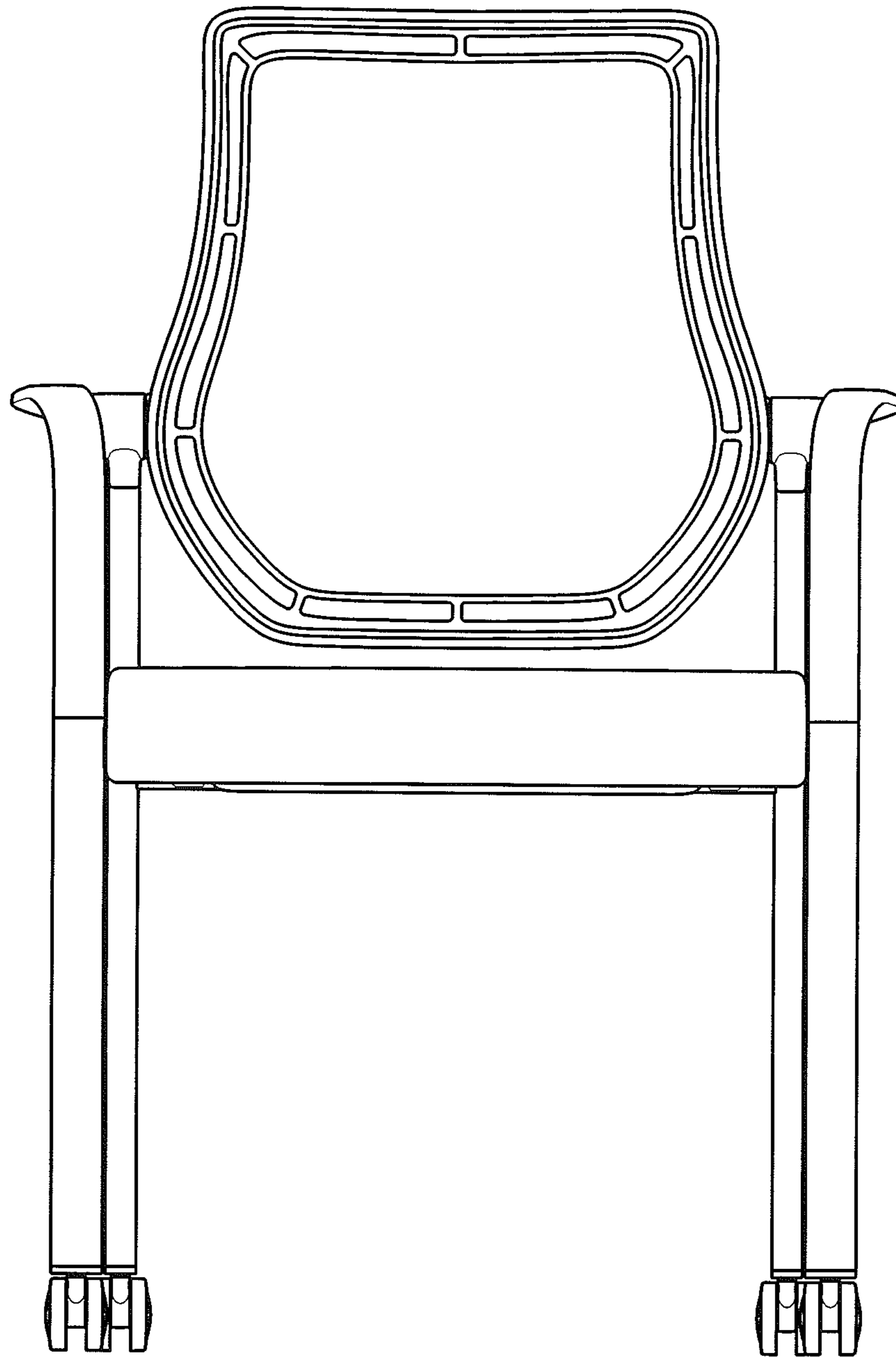


FIG. 2

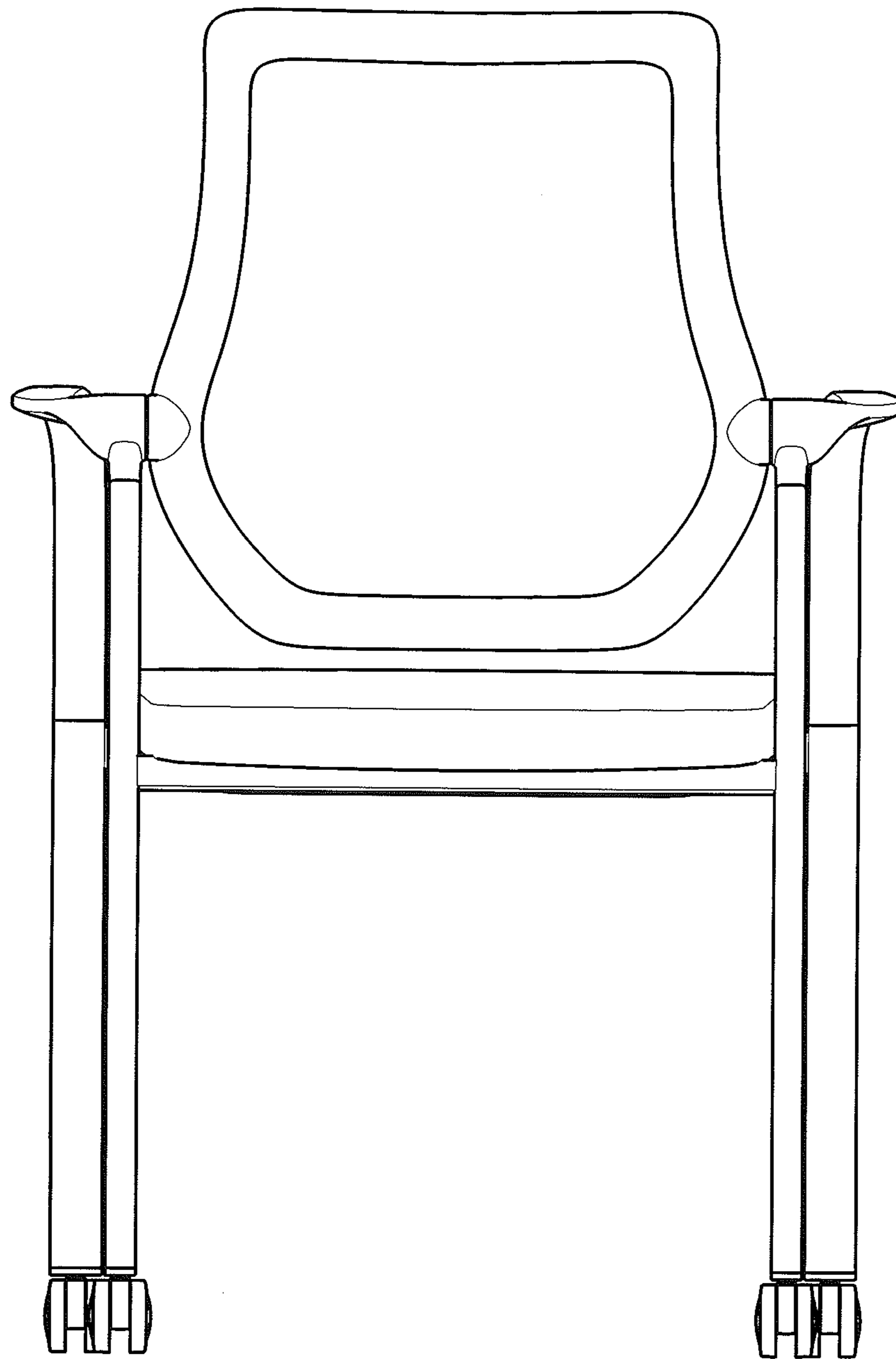


FIG. 3

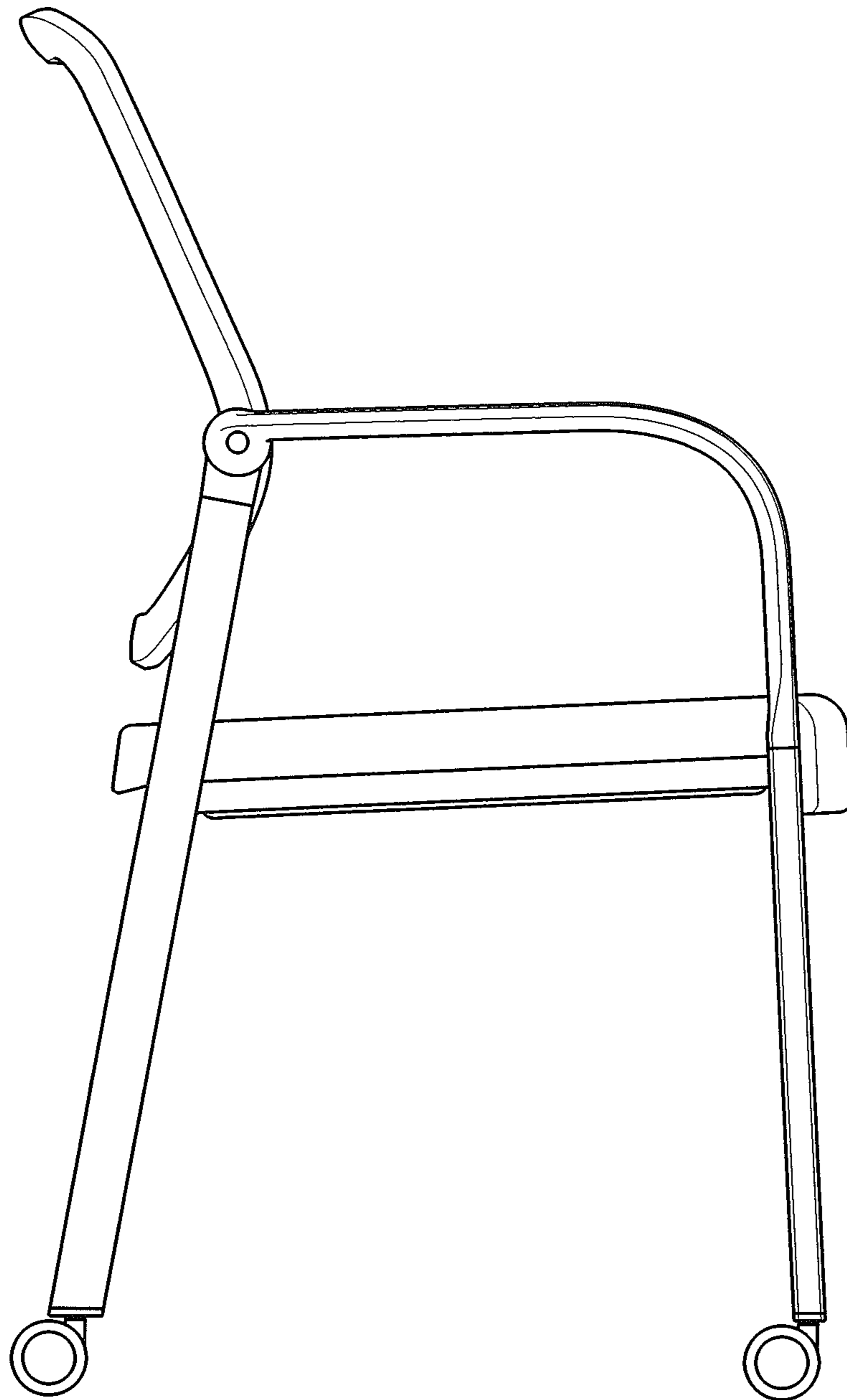


FIG. 4

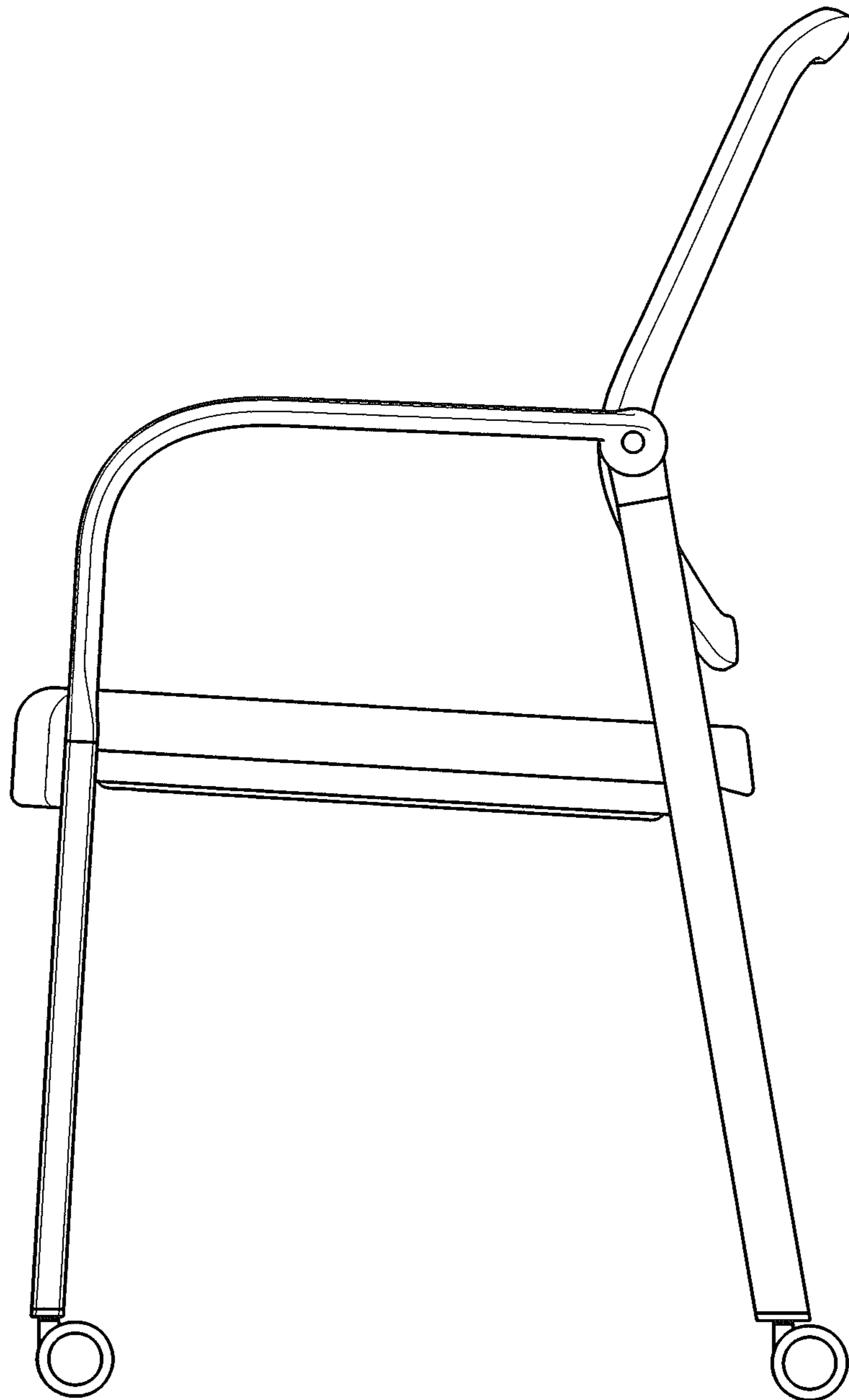


FIG. 5



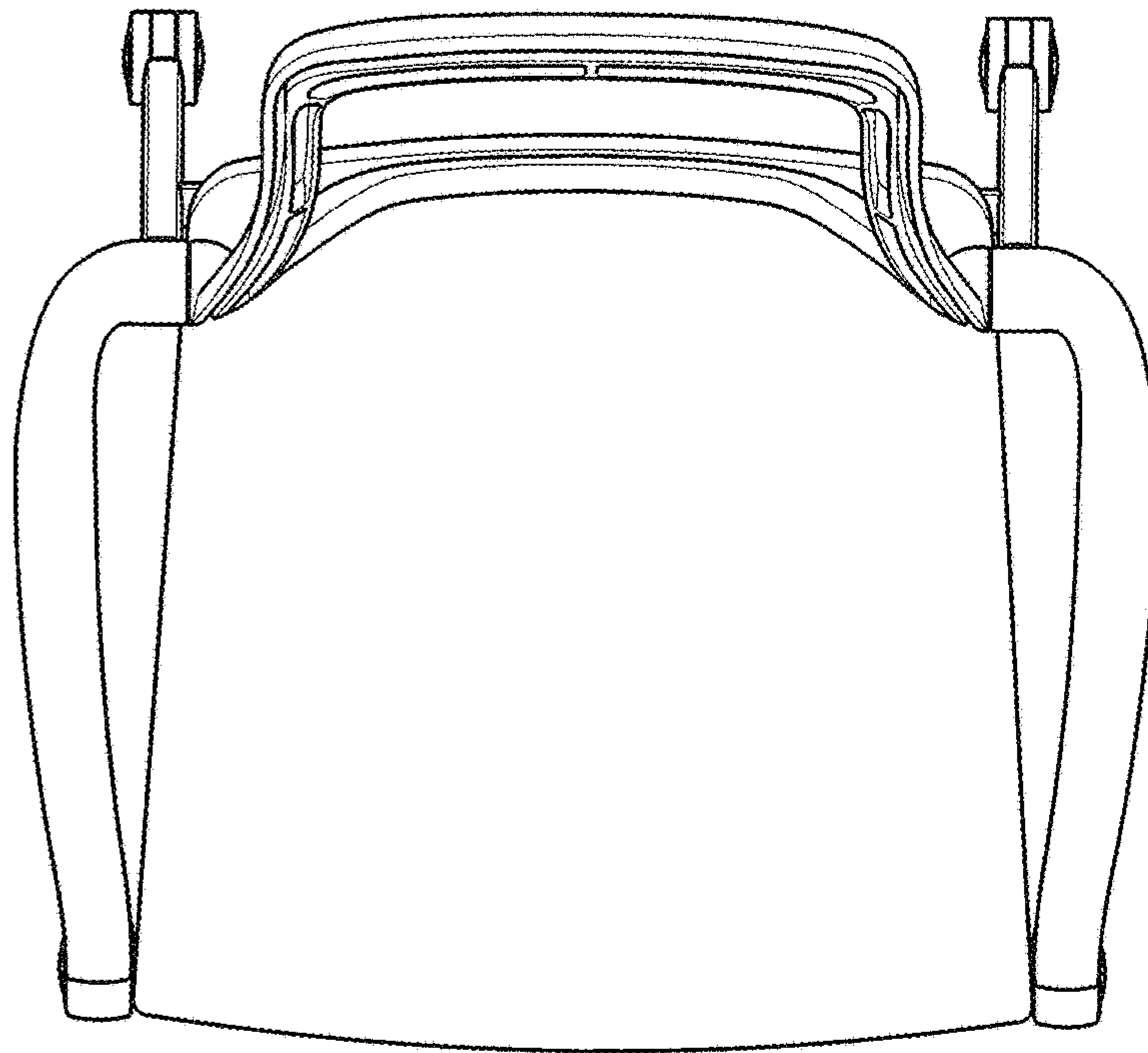


FIG. 6

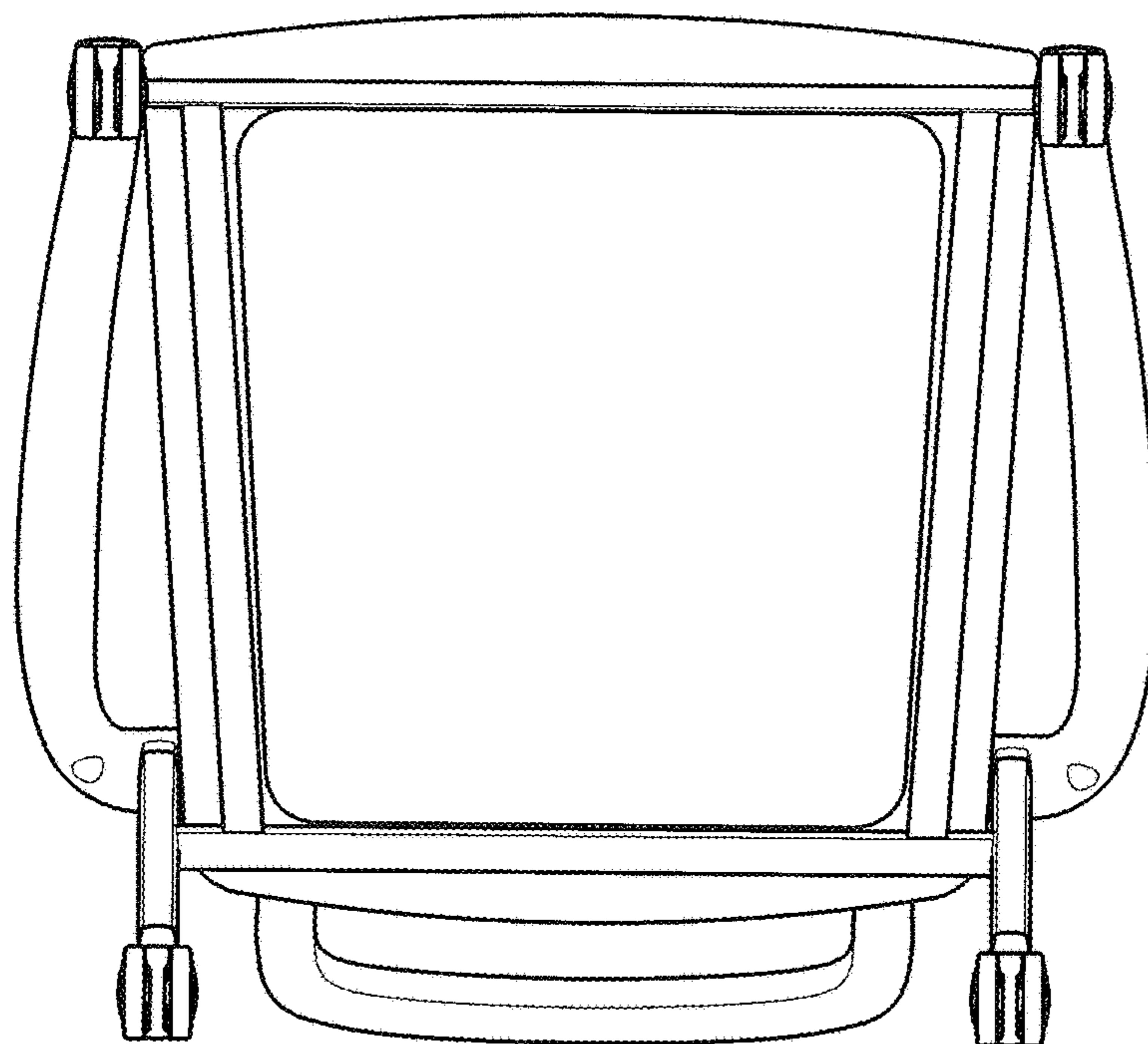


FIG. 7