



US00D784035S

(12) **United States Design Patent**
Longo

(10) **Patent No.:** **US D784,035 S**
(45) **Date of Patent:** **** Apr. 18, 2017**

(54) **PROFILE SEAT**

(71) Applicant: **Seachrome Corporation**, Long Beach, CA (US)

(72) Inventor: **Samuel Colavin Longo**, La Canada, CA (US)

(73) Assignee: **SEACHROME CORPORATION**, Long Beach, CA (US)

(**) Term: **14 Years**

(21) Appl. No.: **29/518,248**

(22) Filed: **Feb. 20, 2015**

(51) **LOC (10) Cl.** **06-01**

(52) **U.S. Cl.**

USPC **D6/362**

(58) **Field of Classification Search**

USPC D6/334-336, 355, 362, 368, 370, 716, D6/716.1, 716.4; D23/304

CPC .. A47C 4/28; A47C 5/004; A47C 9/06; A47K 3/12; A47K 3/122; A47K 3/282; E04H 4/14

See application file for complete search history.

(56) **References Cited**

U.S. PATENT DOCUMENTS

D203,109 S *	12/1965	Barecki et al.	D6/368
D358,263 S *	5/1995	Yoder, Jr.	D6/370
D360,023 S	7/1995	Hunger et al.		
5,467,486 A	11/1995	Guenther		
D373,685 S *	9/1996	Yoder, Jr.	D6/370
D495,506 S *	9/2004	Self	D6/362
7,080,417 B2	7/2006	Jiang		
D527,919 S *	9/2006	Sutton	D6/362
D714,562 S	10/2014	Chlapaty		
2008/0100114 A1	5/2008	Vestweber		

FOREIGN PATENT DOCUMENTS

EP 0951849 A2 10/1999

OTHER PUBLICATIONS

“Bagnosicuro-Turbocolor Removable shower seat”, Archiproducts, <http://www.archiproducts.com/en/products/143793/bagnosicuro-tubocolor-removable-hpl-shower-seat-bagnosicuro-tubocolor-removable-shower-seat-ponte-giulio.html>, screen capture Nov. 11, 2014.

(Continued)

Primary Examiner — Mimosa De

(74) *Attorney, Agent, or Firm* — Fish & Tsang, LLP

(57) **CLAIM**

The ornamental designs of a profile seat, as shown and described.

DESCRIPTION

FIG. 1 is a top, front, left side perspective view of a profile seat of the new design, the broken lines forming no part of the claimed design.

FIG. 2 is an enlarged detail view of a portion of the shower seat of FIG. 1A, showing the hinge.

FIG. 3 is a front elevation view thereof.

FIG. 4 is left side elevation view thereof, the right side elevation view being a mirror image.

FIG. 5 is a rear elevation view thereof.

FIG. 6 is a top plan view thereof.

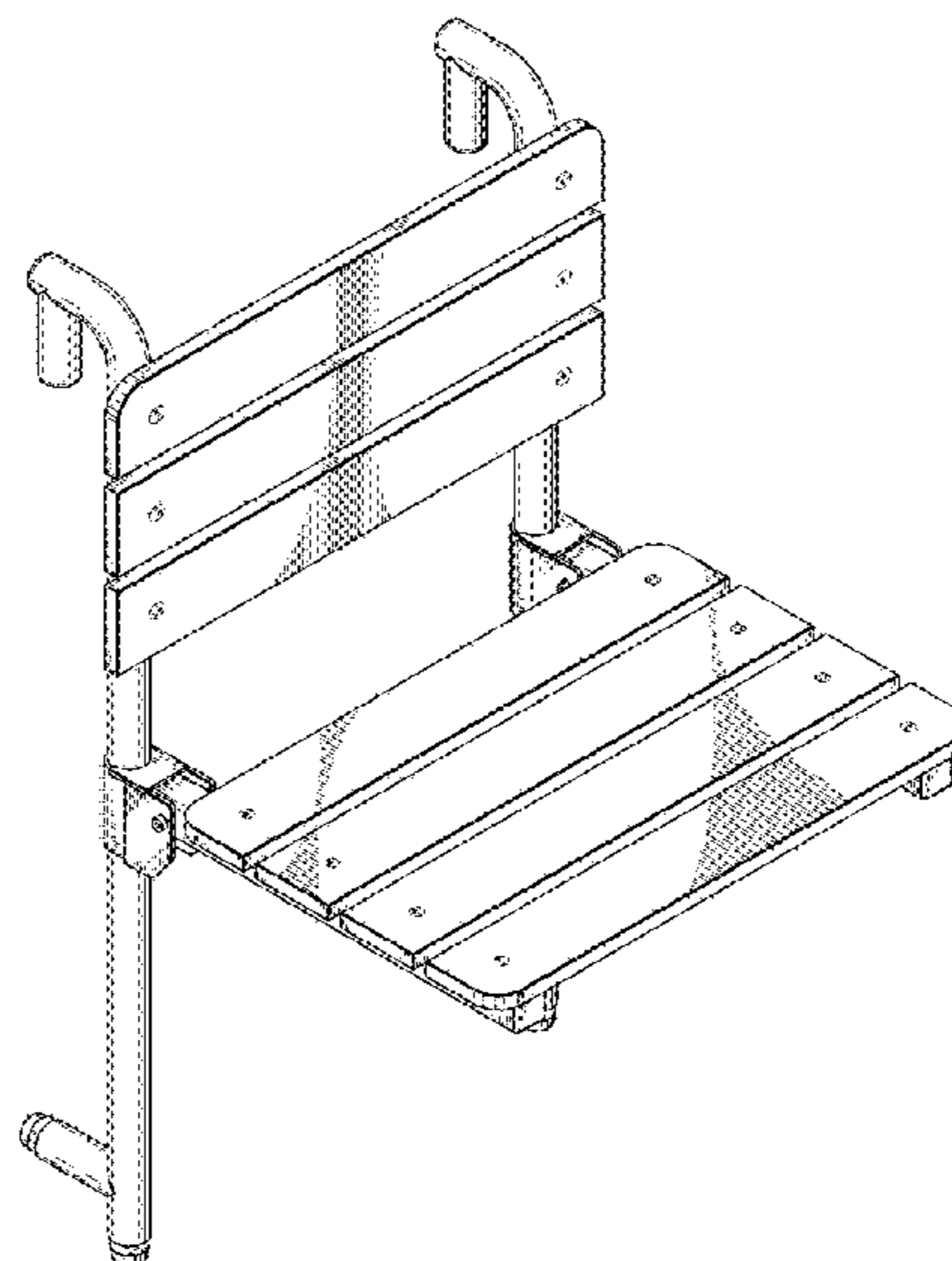
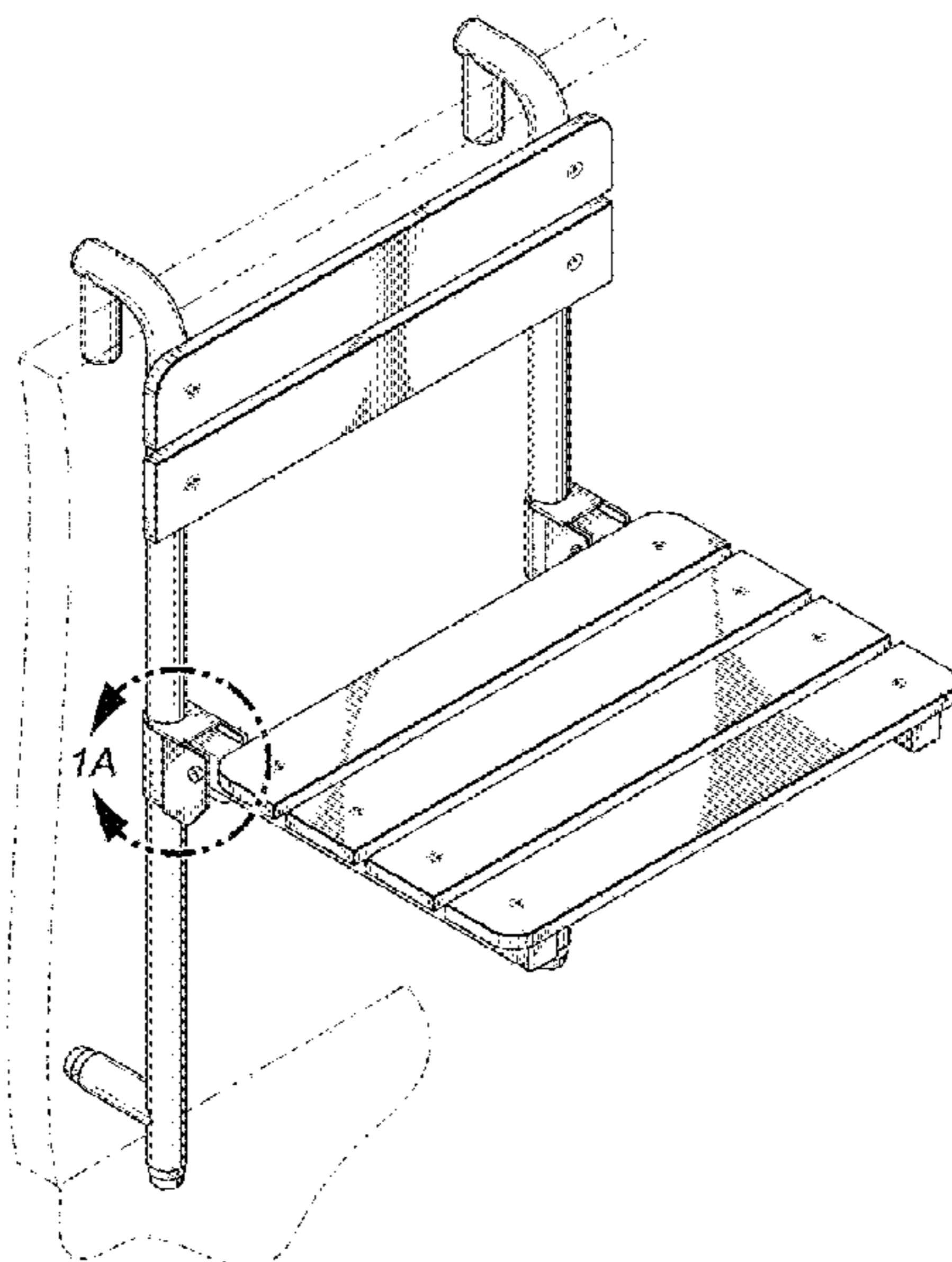
FIG. 7 is a bottom plan view thereof.

FIG. 8 is a top, front, left side perspective view thereof with the seat bottom shown in a folded up position.

FIG. 9 is a top, front, left side perspective view of a first alternative embodiment; and,

FIG. 10 is a top, front, left side perspective view of a second alternative embodiment.

1 Claim, 9 Drawing Sheets



(56)

References Cited

OTHER PUBLICATIONS

“HEWI Nylon Removable Hanging Shower Seat”, HarborCitySupply.com, <http://www.harborcitysupply.net/HEWINylonRemovableHangingShowerSeat988.76.499.aspx>, screen capture No. 11, 2014.

“Marion Hanging Shower Seat—Off-White”, Amazon.com, <http://www.amazon.com/Marion-Hanging-Shower-Seat-Off-White/dp/B008C6C06G>, screen capture Nov. 11, 2014.

“Removable shower seat 200 series bathroom mobility aids”, Shower-trays & Bathroom, <http://www.shower-trays-and-bathroom.com/shower-trays-and-bathroom/produit/27/205/5902/Removable-shower-seat-2000-series-Bathroom-Mobility-Aids>, screen capture Nov. 11, 2014.

“Hanging Installed Shower Bench”, Sage in Home, http://sageinhome.com/sage_tips_installed_shower_benches/, screen capture Nov. 11, 2014.

“Shower Chair”, Sage Traveling, <http://www.sagetraveling.com/Wheelchair-Accessible-Hotel-Rooms-in-Istanbul>, screen captures Oct. 14, 2014.

“Shower Seat BS-888”, China-Direct-Buy.com, http://bathroom.china-direct-buy.com/v/4/product_detail/5131132/Shower_Seat_BS-888.html, screen capture Nov. 11, 2014.

“Wall Mounted Adjustable Height Shower Bench”, Alibaba.com, http://www.alibaba.com/product-detail/WALL-MOUNTED-ADJUSTABLE-HEIGHT-SHOWER-BENCH_228091221.html, screen capture Oct. 14, 2014.

* cited by examiner

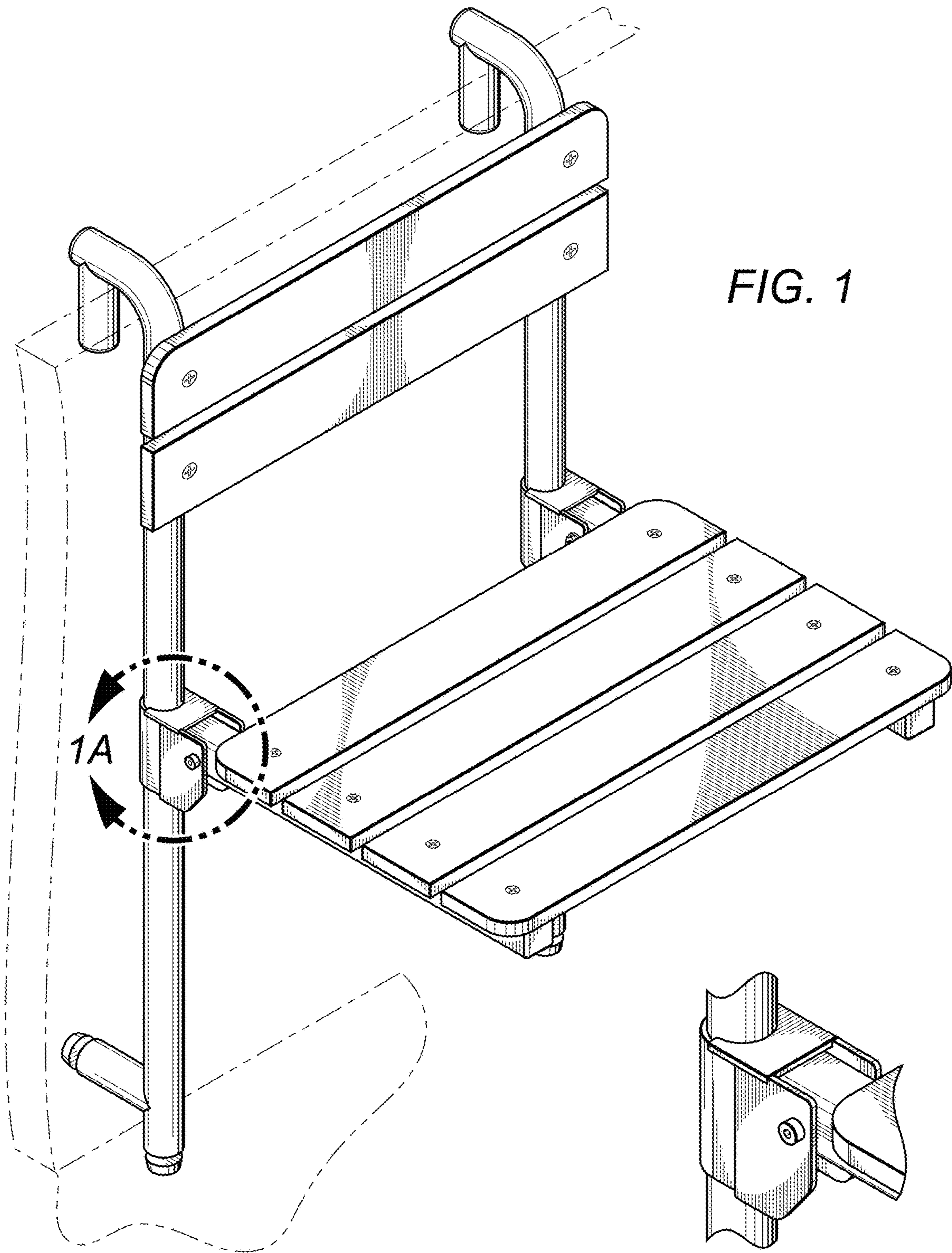


FIG. 1

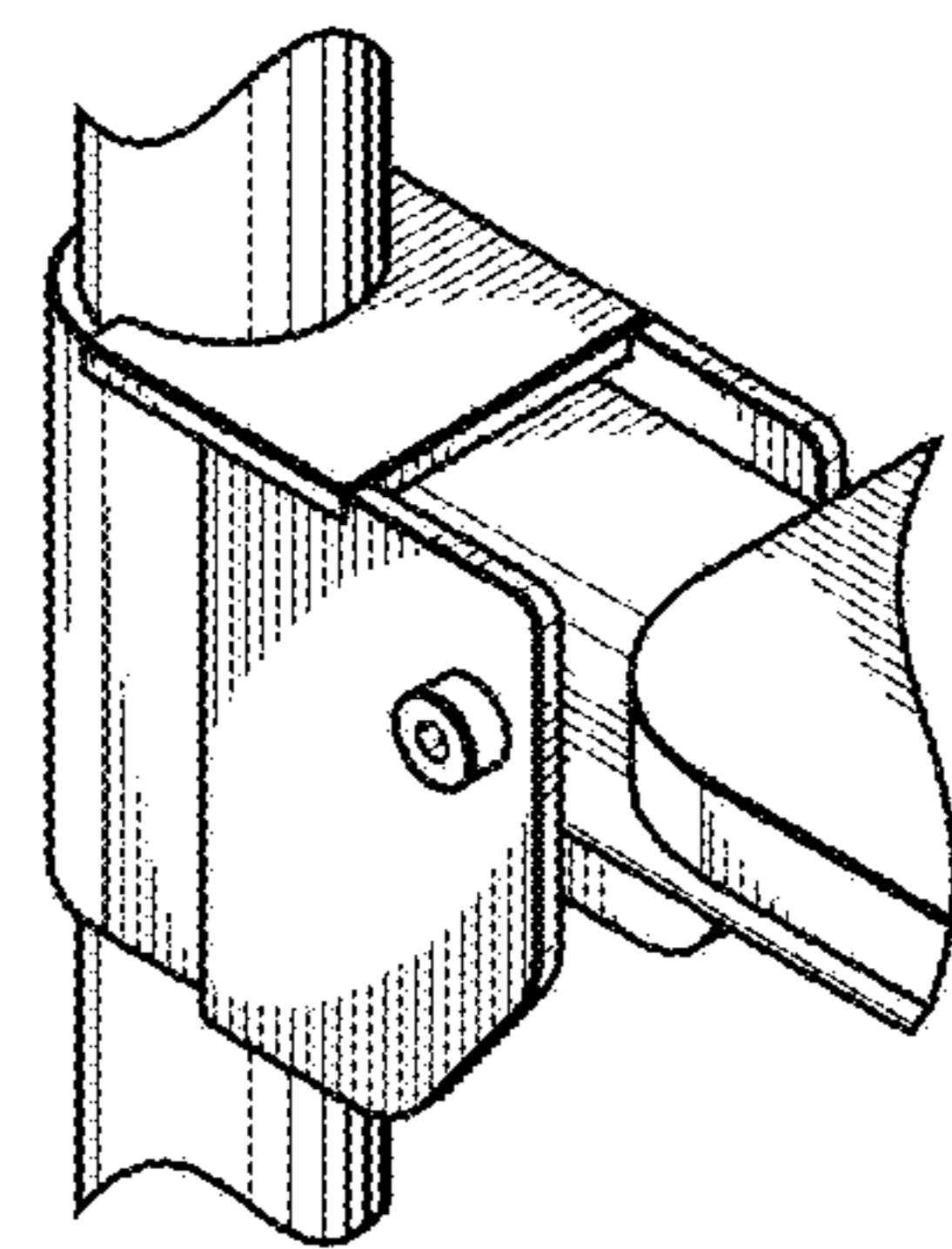


FIG. 2

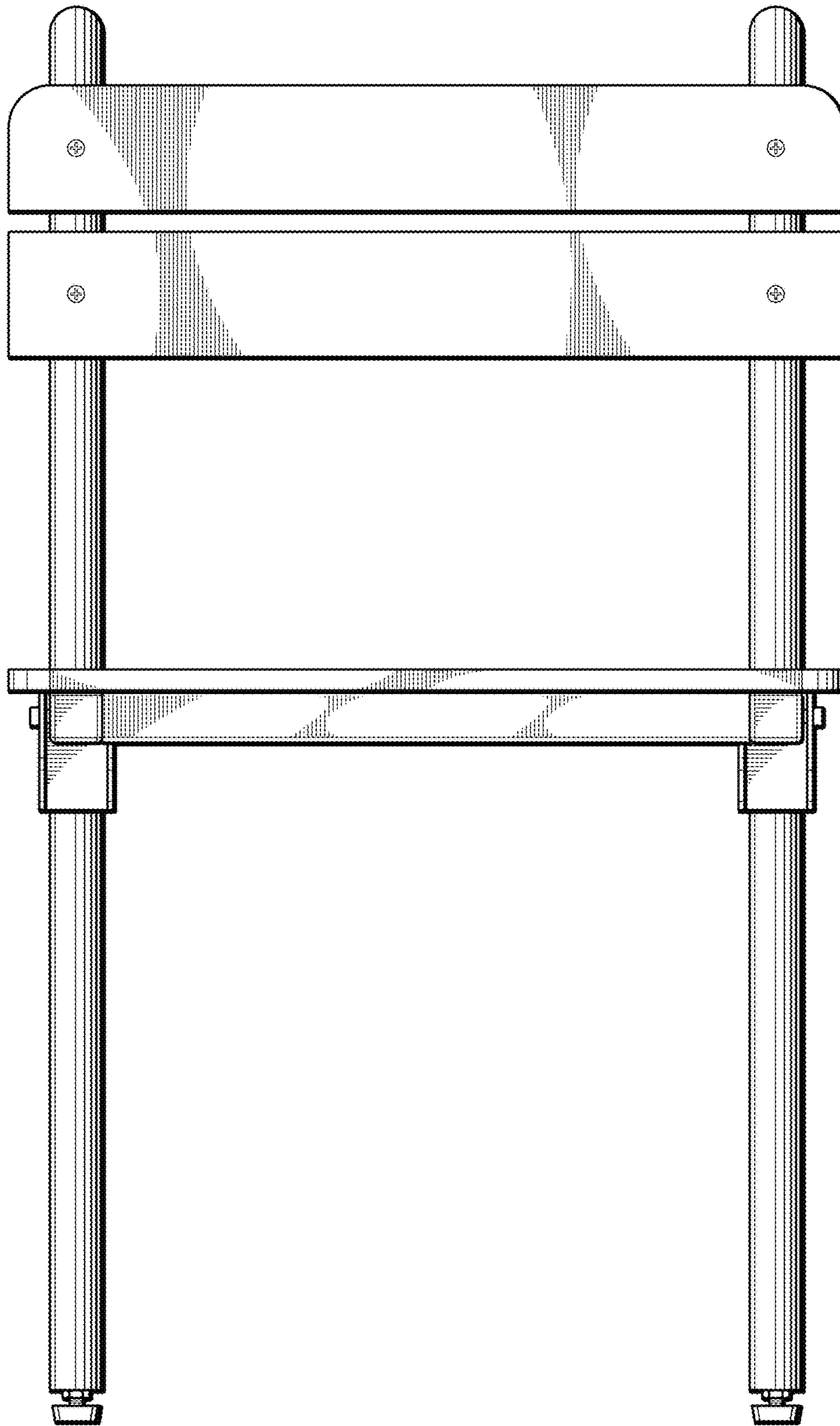


FIG. 3

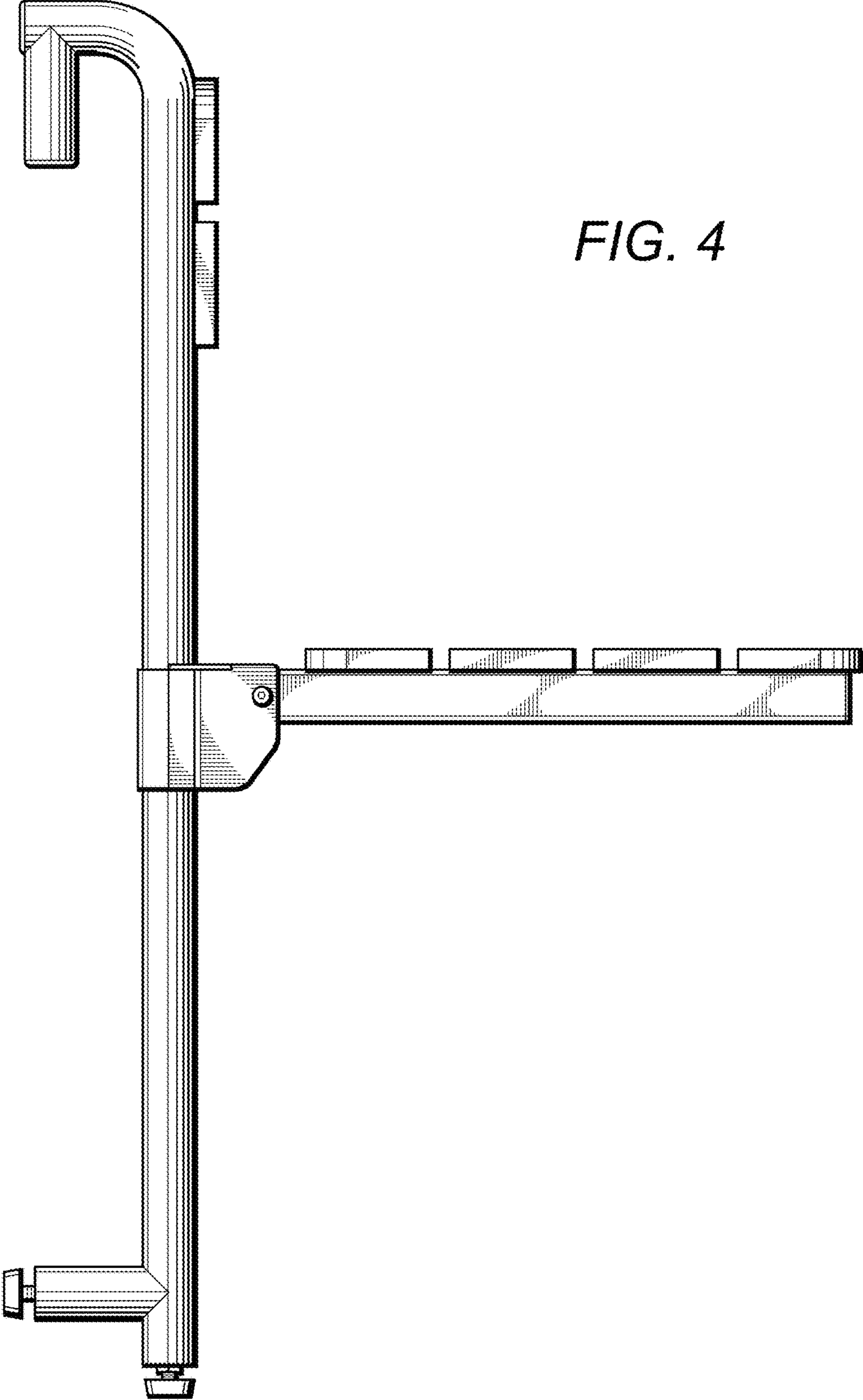


FIG. 4

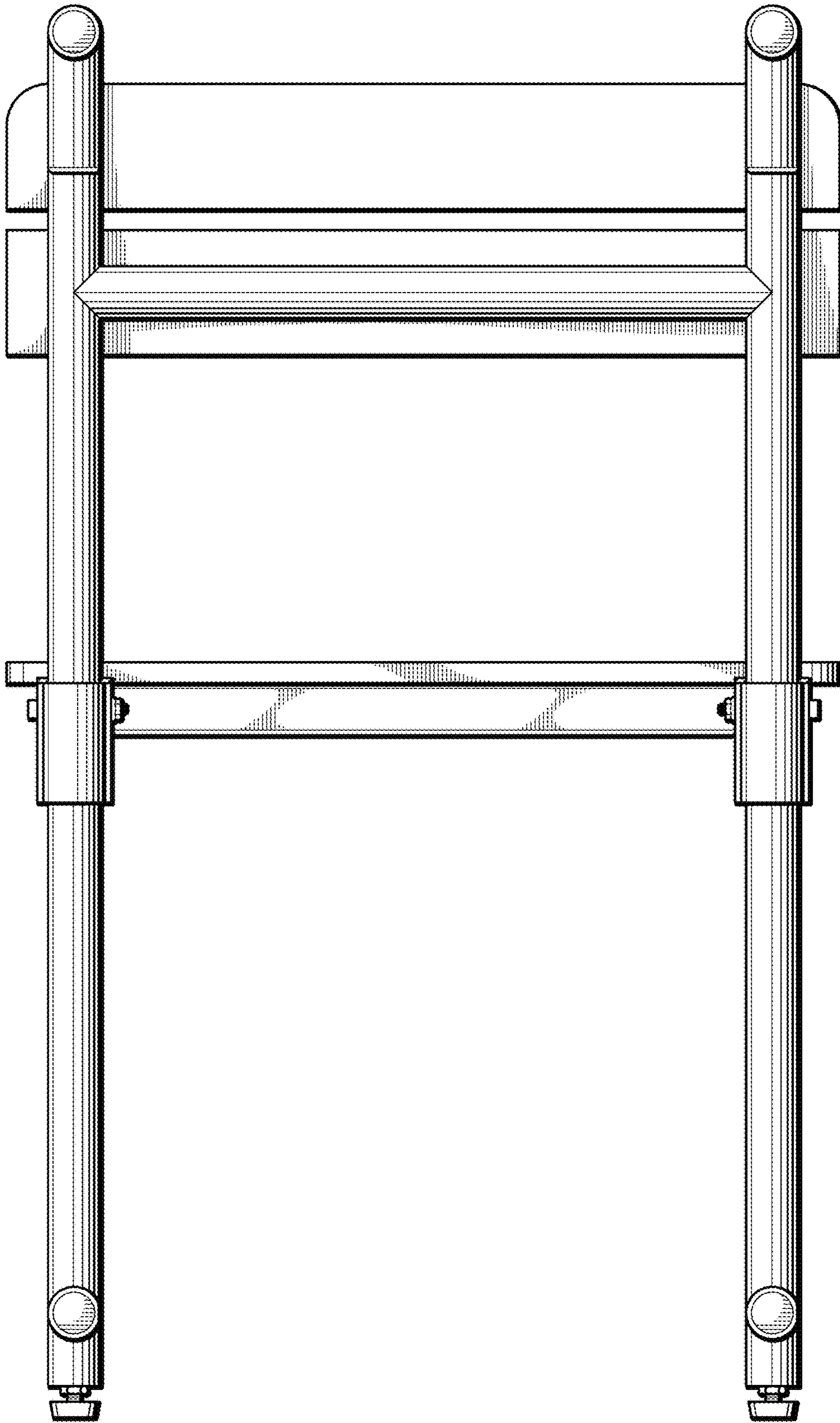


FIG. 5

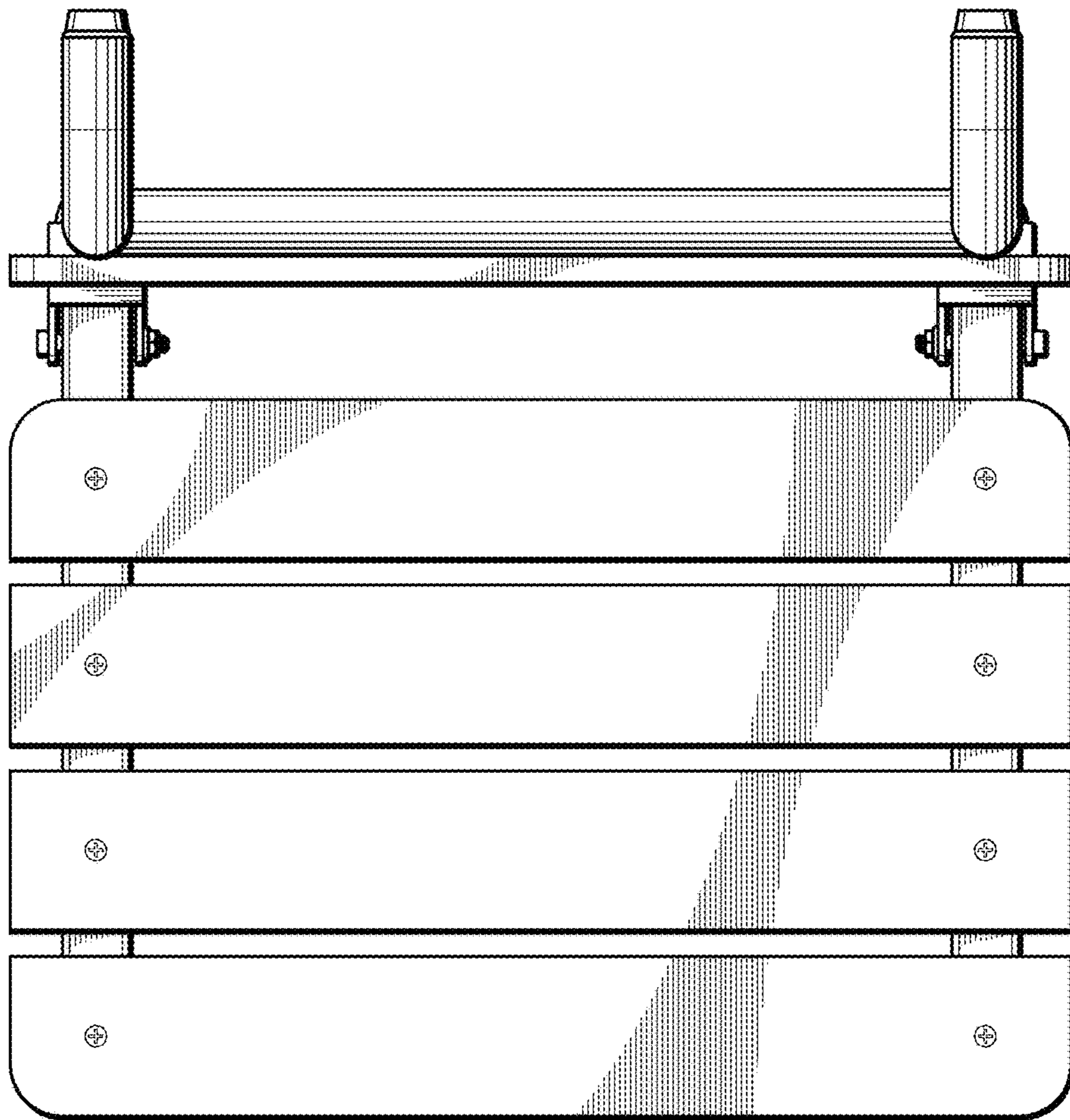


FIG. 6

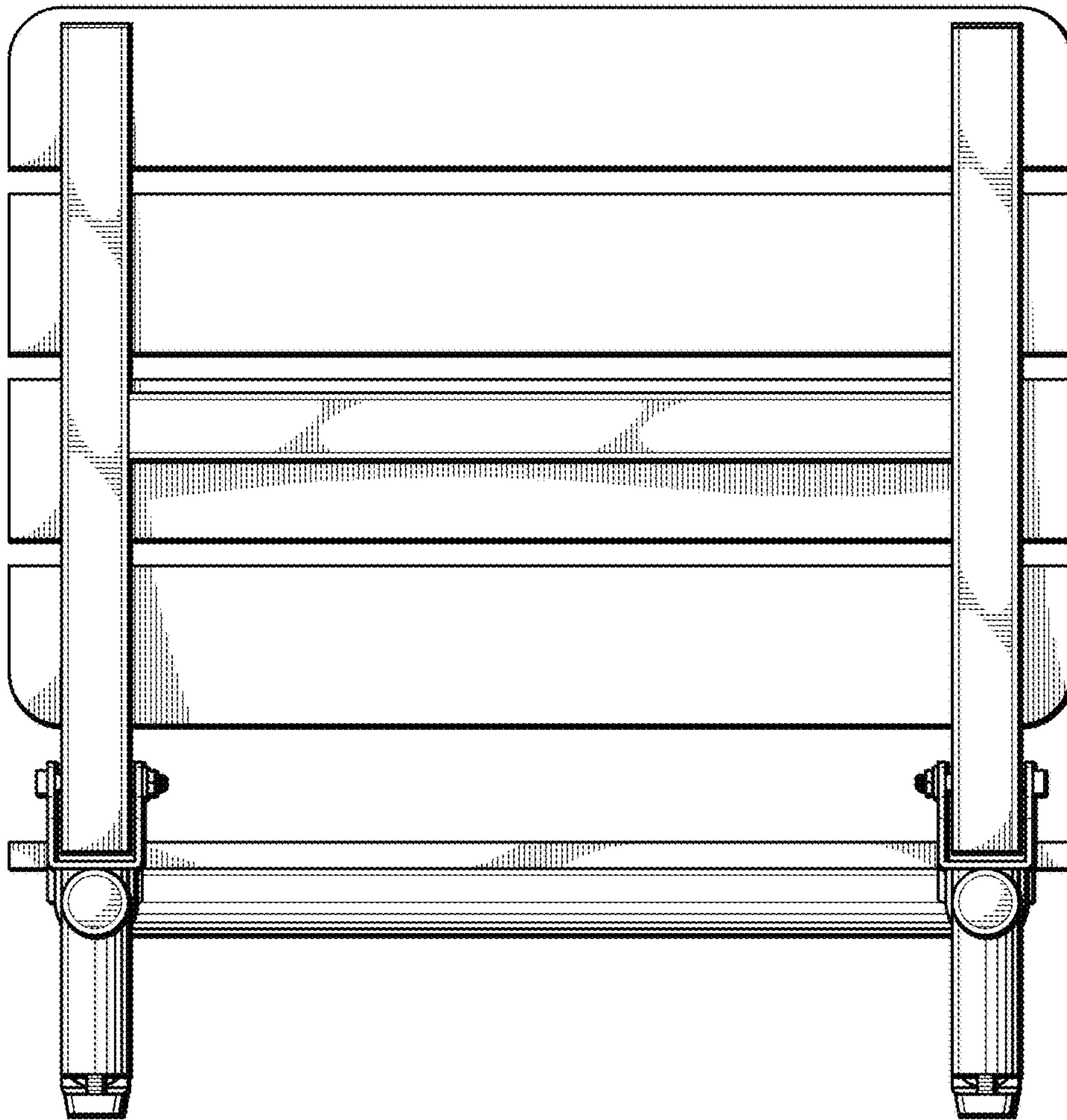


FIG. 7

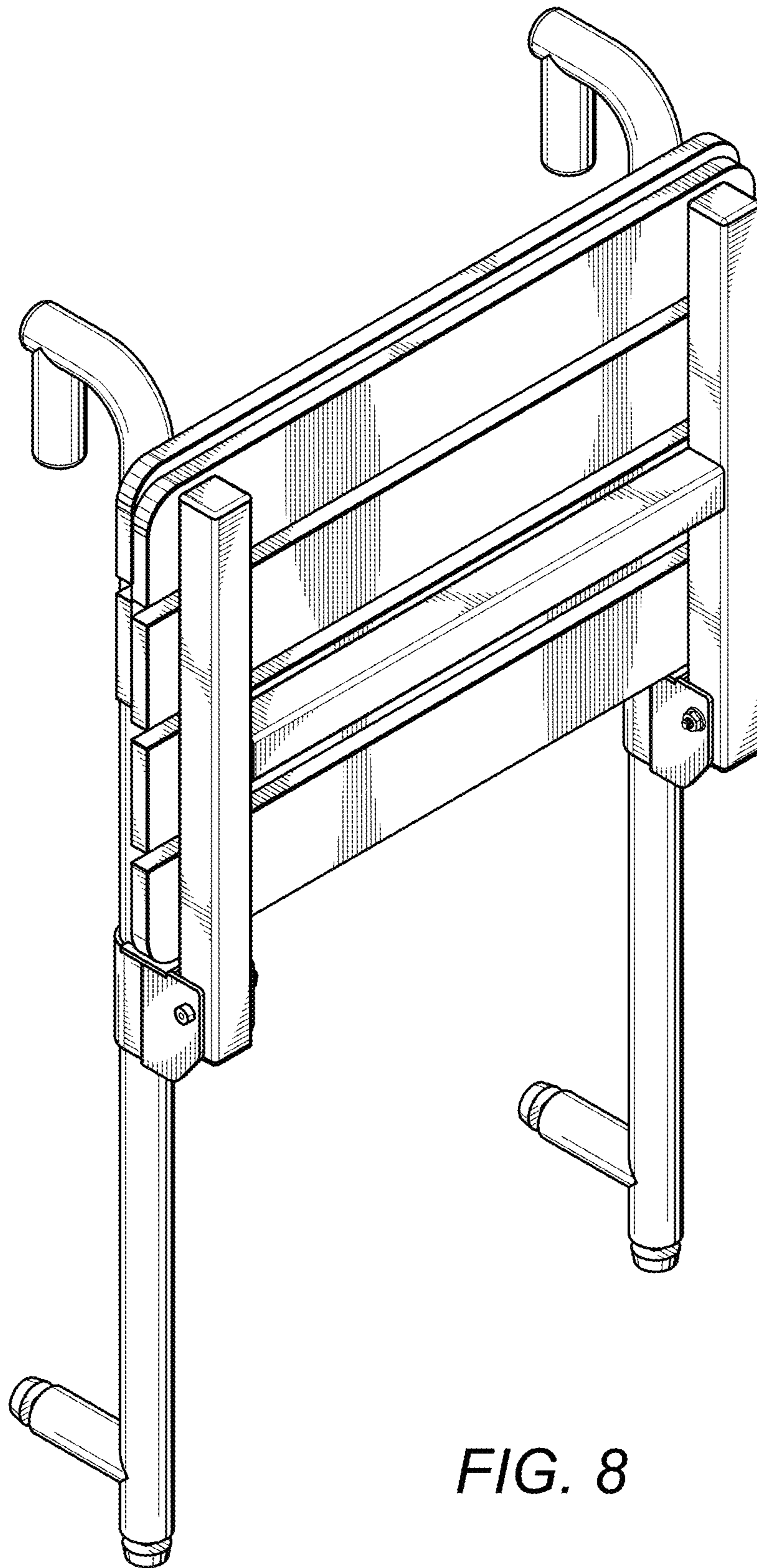


FIG. 8

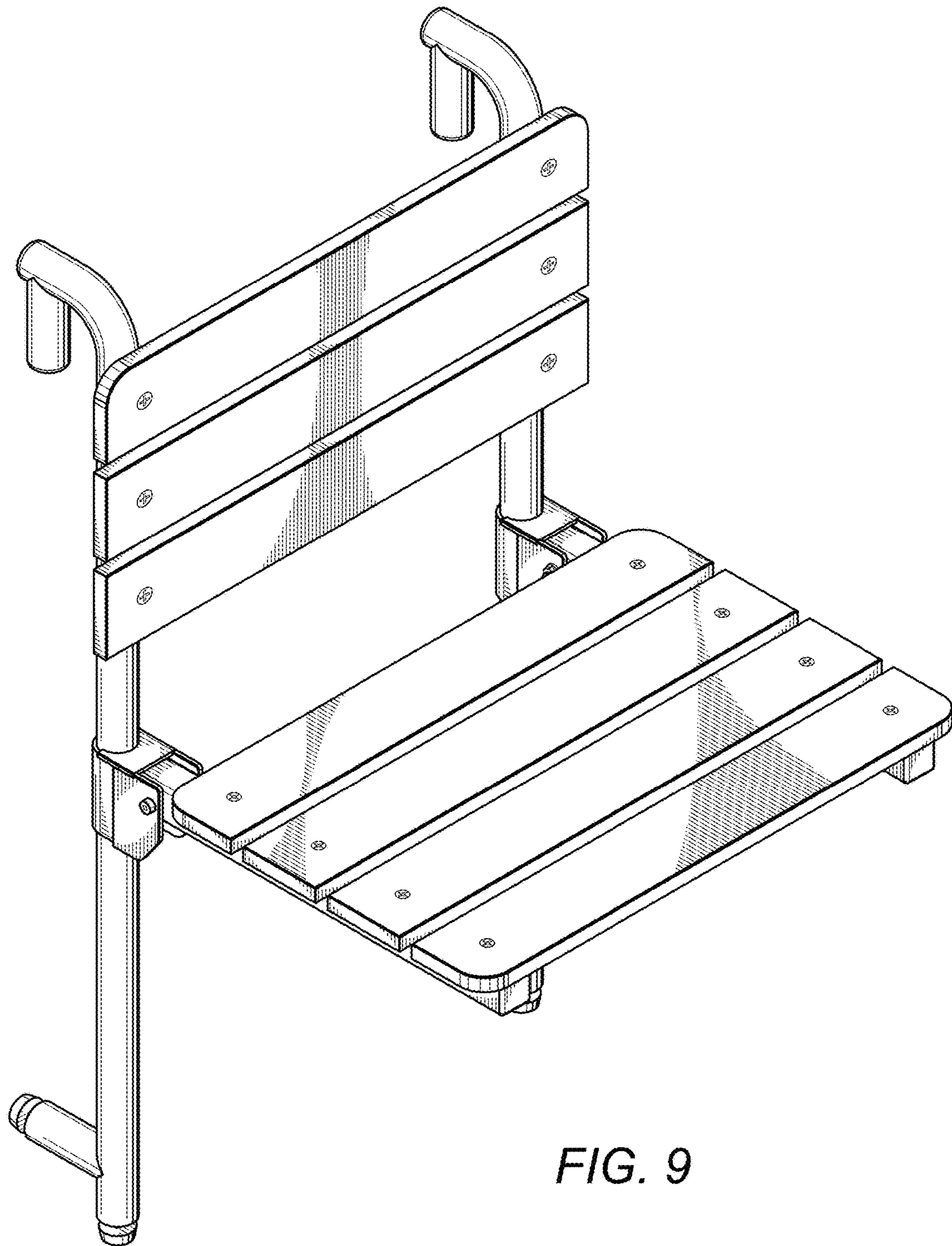


FIG. 9

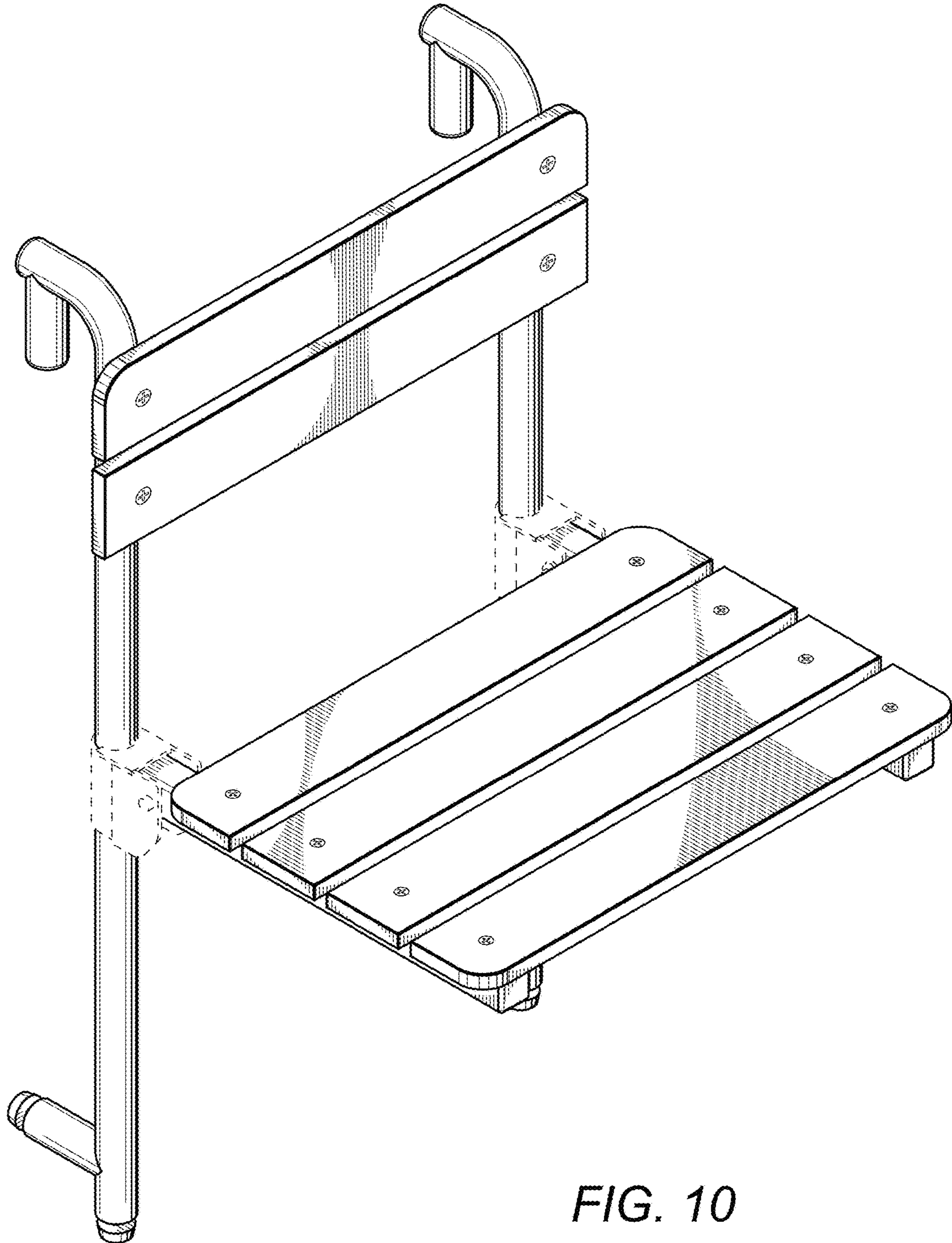


FIG. 10