

US00D784034S

(12) **United States Design Patent** (10) **Patent No.:** **US D784,034 S**
Longo (45) **Date of Patent:** **** Apr. 18, 2017**

(54) SILHOUETTE SEAT	5,967,255 A * 10/1999 Young A47B 5/06 182/91
(71) Applicant: Seachrome Corporation , Long Beach, CA (US)	D425,716 S * 5/2000 Jensen D6/368 D468,548 S * 1/2003 Head, Jr. D6/368 D495,511 S * 9/2004 Dingess D6/368 D509,372 S * 9/2005 King D6/364 D571,112 S 6/2008 Henderson
(72) Inventor: Samuel Colavin Longo , La Canada, CA (US)	8,123,271 B1 * 2/2012 Wimberley B60N 2/3095 296/57.1
(73) Assignee: SEACHROME CORPORATION , Long Beach, CA (US)	D713,161 S 9/2014 Nelson D727,046 S * 4/2015 Alexander D6/356 D727,047 S * 4/2015 Alexander D6/356 D737,087 S * 8/2015 Wood D6/716.1

(**) Term: **14 Years**

(21) Appl. No.: **29/518,238**

(22) Filed: **Feb. 20, 2015**

(51) **LOC (10) Cl.** **06-01**

(52) **U.S. Cl.**
USPC **D6/362; D6/368; D6/370**

(58) **Field of Classification Search**
USPC D6/334–336, 356, 360–381, 716,
D6/716.1–716.4
CPC .. A47B 5/06; A47C 1/032; A47C 1/12; A47C
1/14; A47C 1/16; A47C 1/121; A47C
1/124; A47C 3/16; A47C 7/021; A47C
7/56; A47C 7/62; A47C 7/407; B60N
2/02; B60N 2/686; B60N 2/3095; B63B
29/04

See application file for complete search history.

(56) **References Cited**

U.S. PATENT DOCUMENTS

D121,266 S *	7/1940	Archer	297/250.1
2,792,053 A	5/1957	Krusman		
3,026,142 A *	3/1962	Holloway	A47C 1/16 297/252
D252,658 S *	8/1979	Kressin	D6/368
4,775,182 A *	10/1988	von Hoffman	A47C 1/14 297/350

OTHER PUBLICATIONS

“18 inch Serena Seat Foldable Shower Seat”, ArthritisSupplies.com, <http://www.arthritissupplies.com/serena-seat-foldable-shower-seat.html>, screen capture Nov. 11, 2014.

(Continued)

Primary Examiner — Ricky Pham

(74) *Attorney, Agent, or Firm* — Fish & Tsang, LLP

(57) **CLAIM**

The ornamental designs of a silhouette seat, as shown and described.

DESCRIPTION

FIG. 1 is a top, front, left side perspective view of a silhouette seat of the new design.

FIG. 2 is a top plan view thereof.

FIG. 3 is a front elevation view thereof.

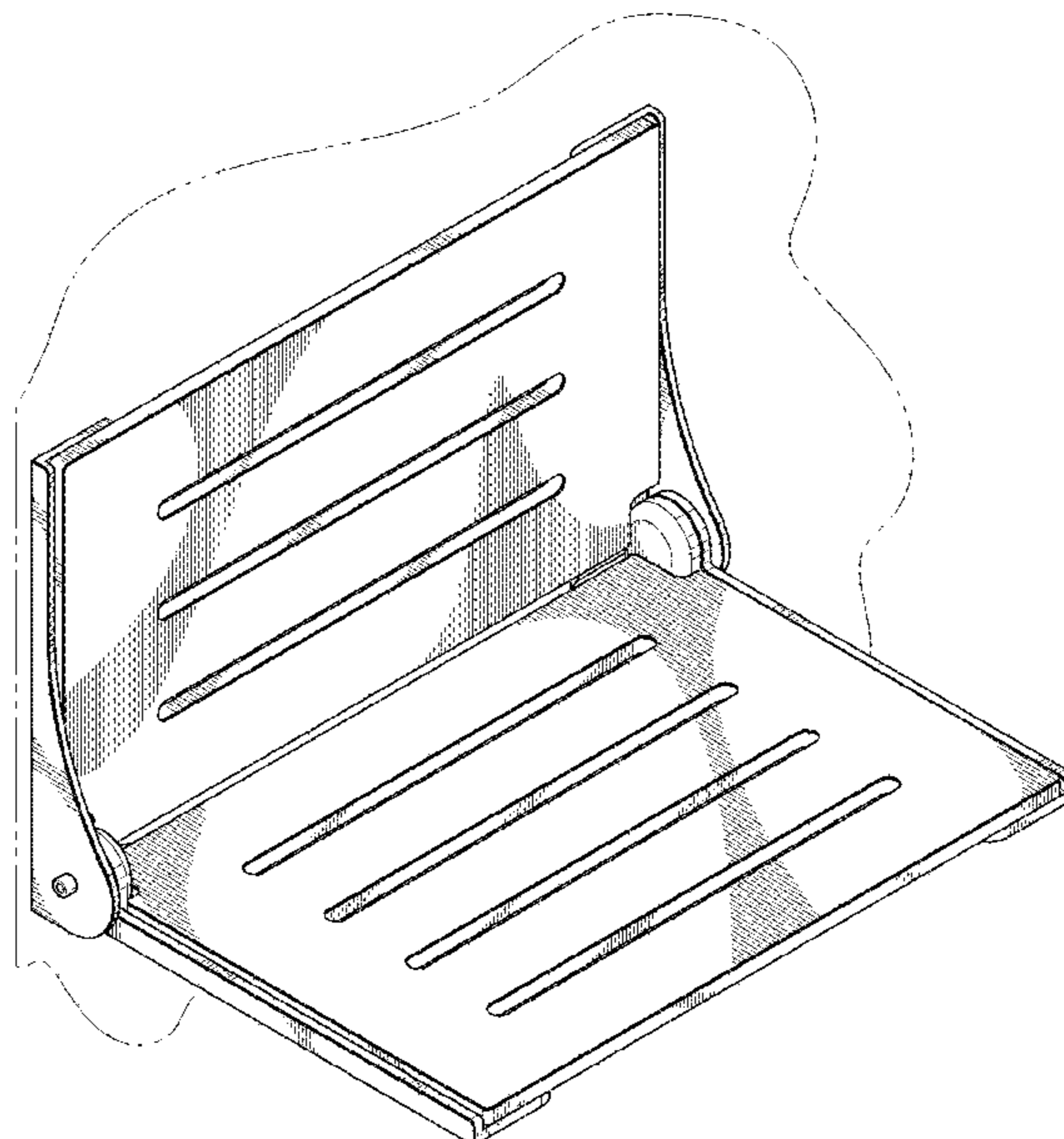
FIG. 4 is a rear elevation view thereof.

FIG. 5 is a bottom plan view thereof.

FIG. 6 is a right side elevation view thereof, the left side elevation view being a mirror image; and,

FIG. 7 is a top, front, left side perspective view thereof, with the seat bottom shown in a folded up position.

1 Claim, 4 Drawing Sheets



(56)

References Cited

OTHER PUBLICATIONS

“Marion Folding Shower Seat with Backrest—Off-White”, Signature Hardware, <http://www.signaturehardware.com/bathroom/bathroom-accessories/shower-seats-and-stools/marion-folding-shower-seat-with-backrest-off-white.html>, screen capture Nov. 11, 2014.

“Moen DN7110 Home Care Fold Down Shower Seat”, Amazon.com, <http://www.amazon.com/Moen-DN7110-Home-Care-Shower/dp/B005MTSRAE>, screen capture Nov. 11, 2014.

“The Compact”, Oyster, screen capture Nov. 11, 2014.

* cited by examiner

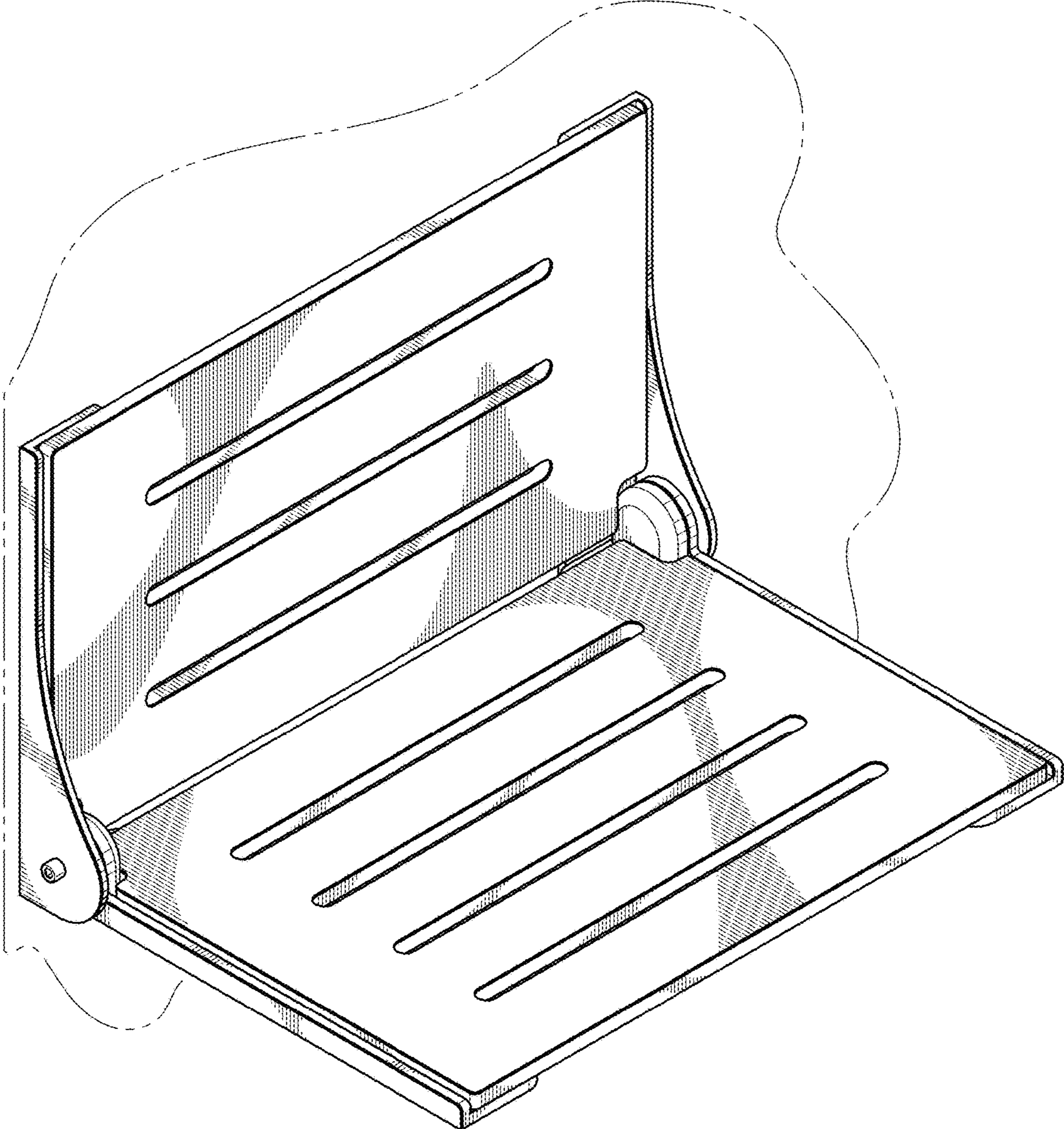


FIG. 1

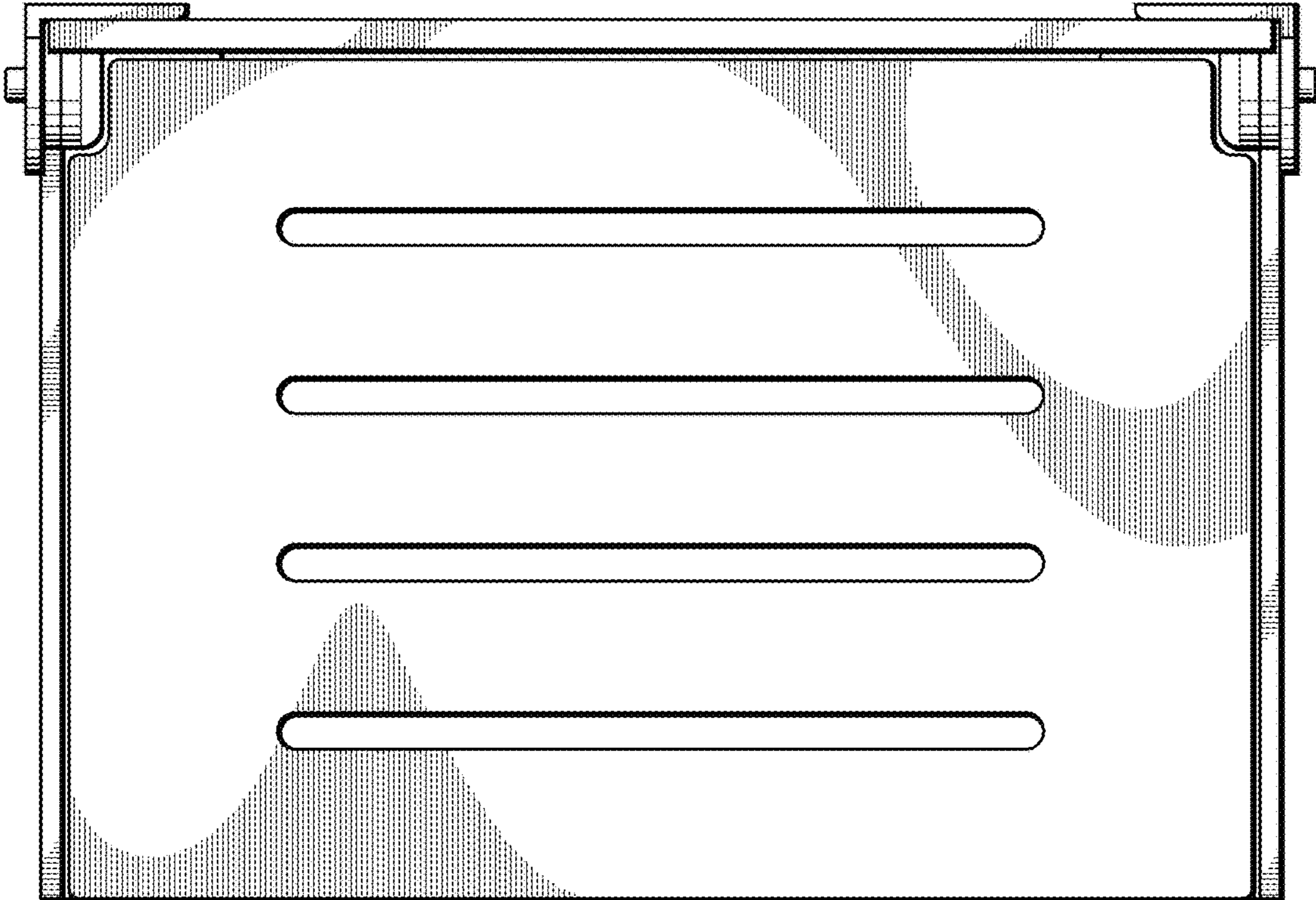
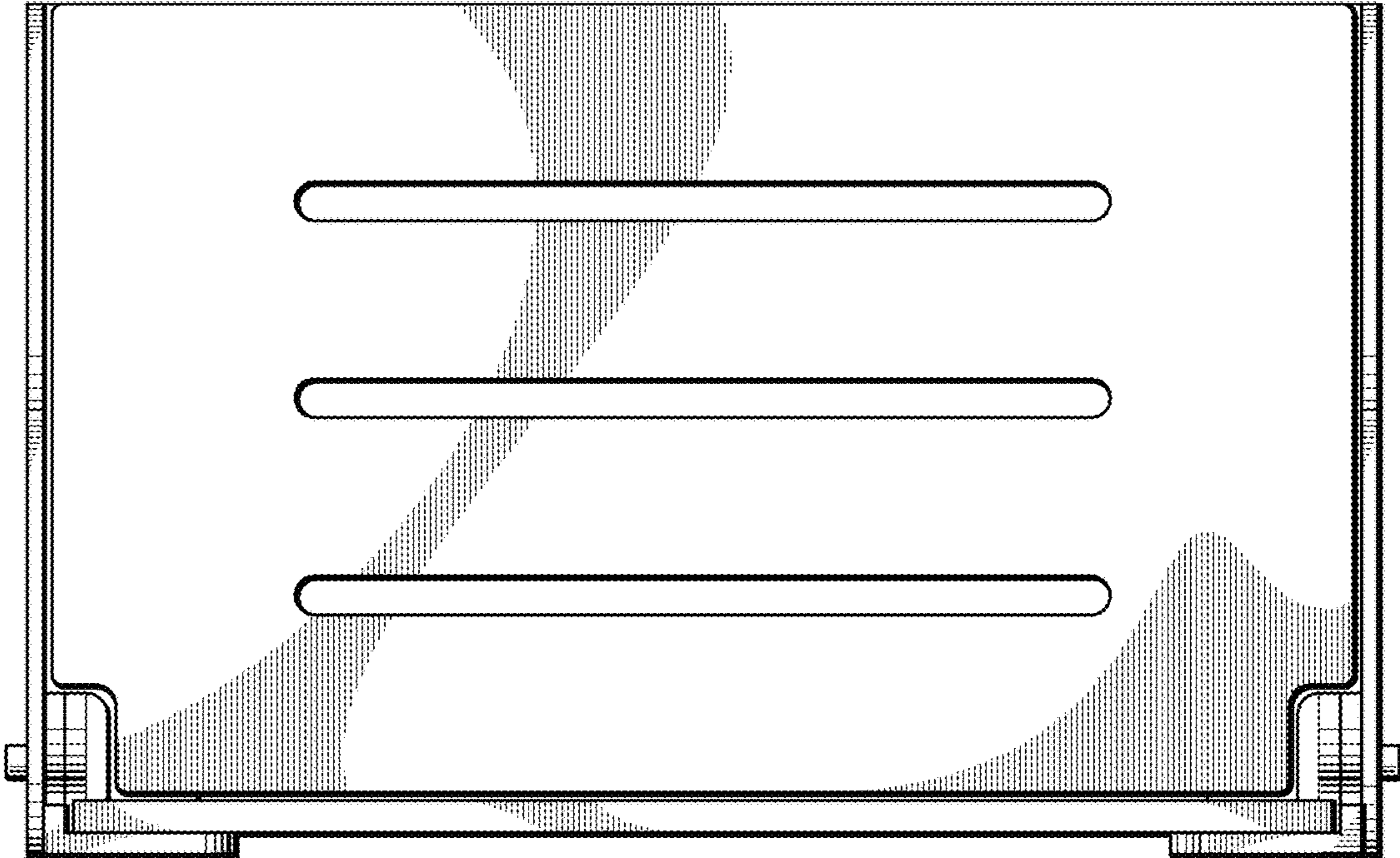


FIG. 2

FIG. 3



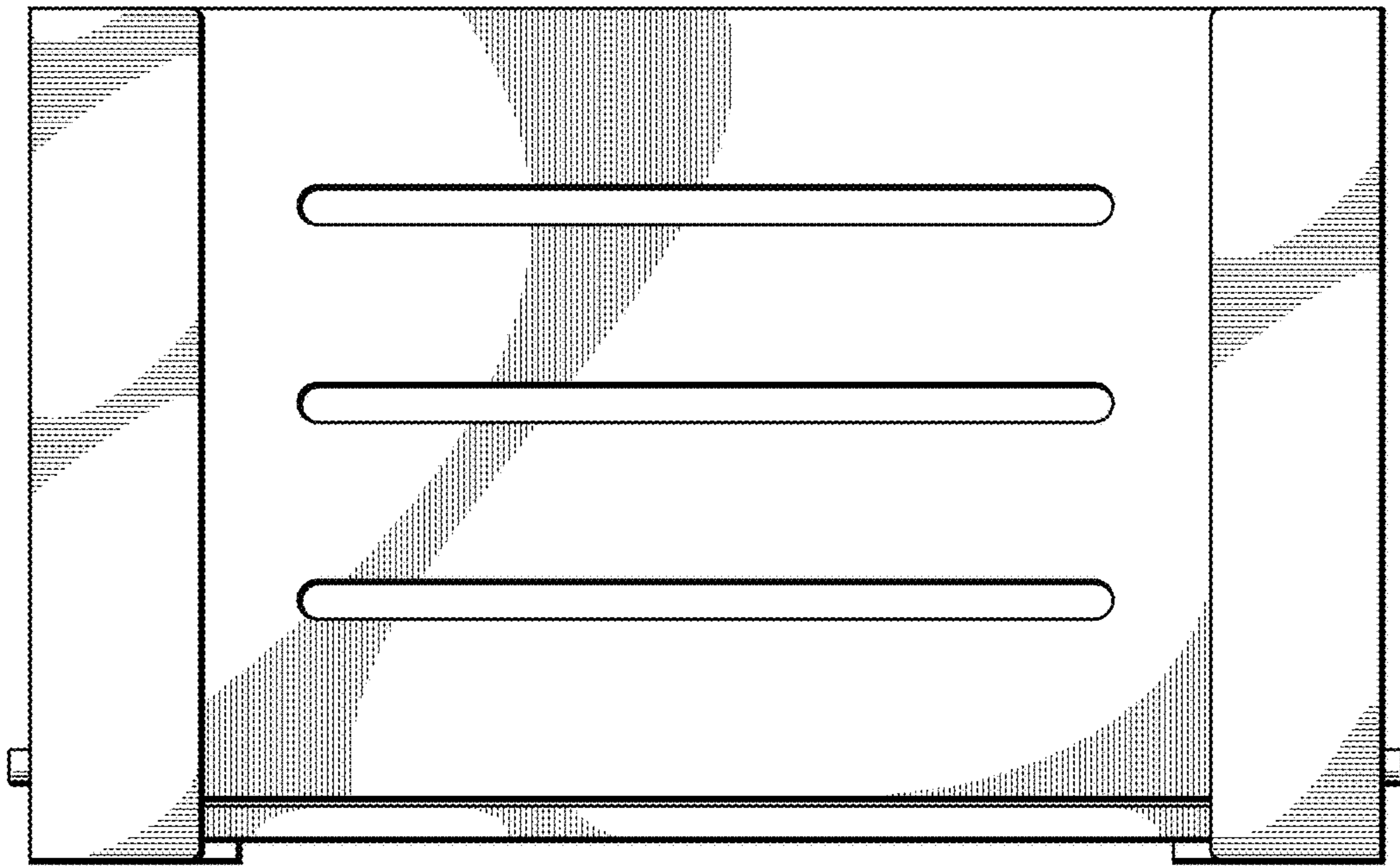
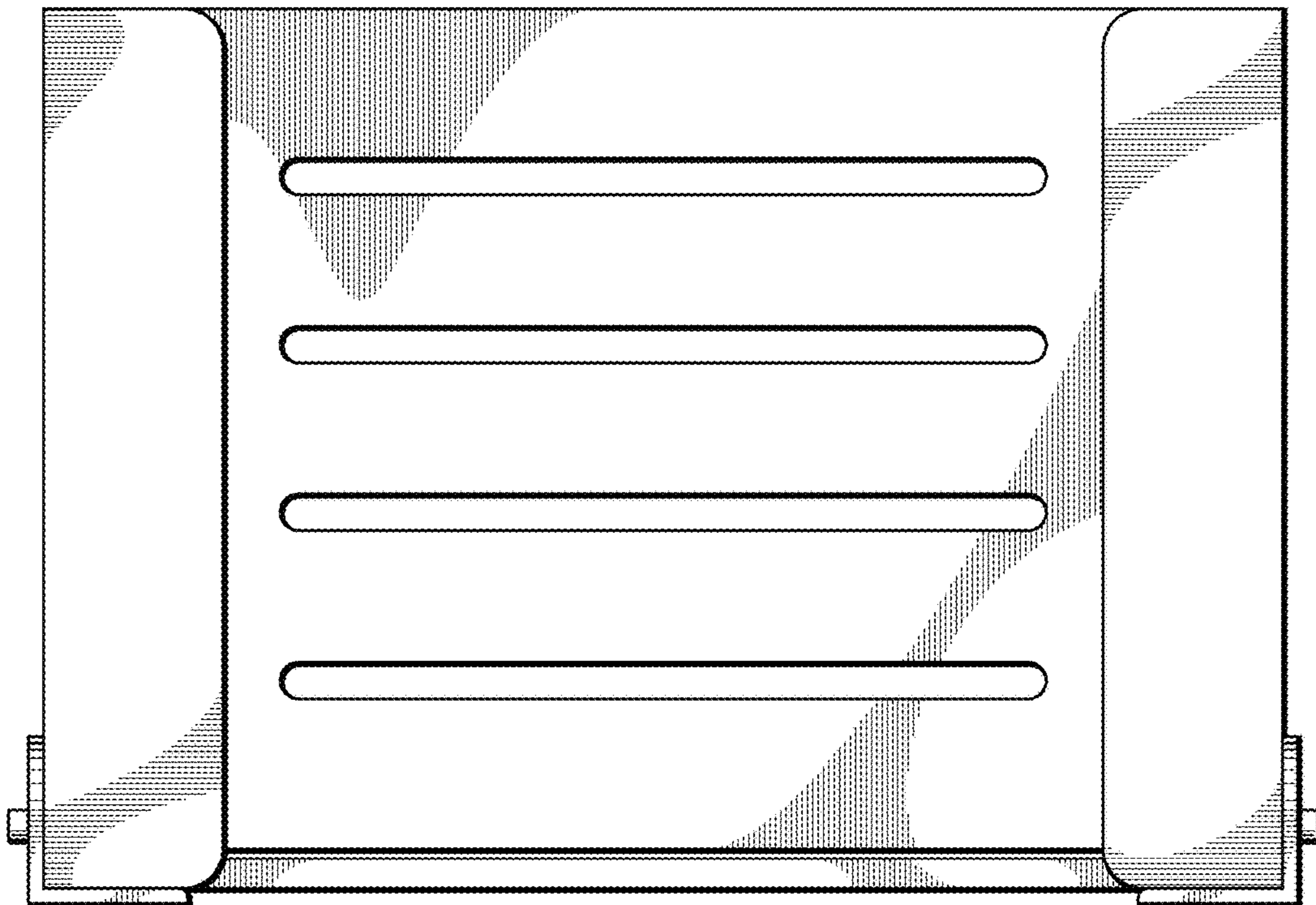


FIG. 4

FIG. 5



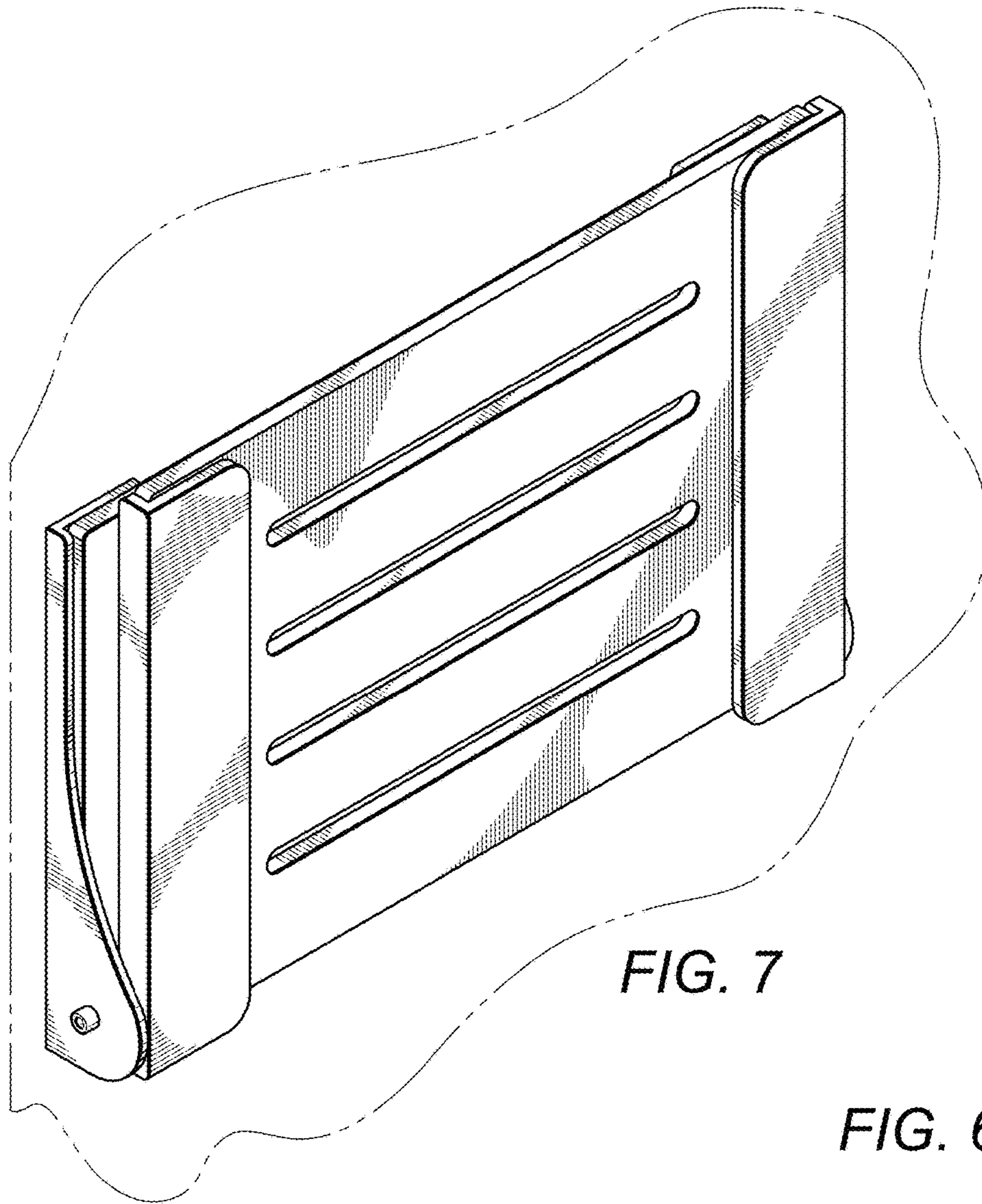


FIG. 7

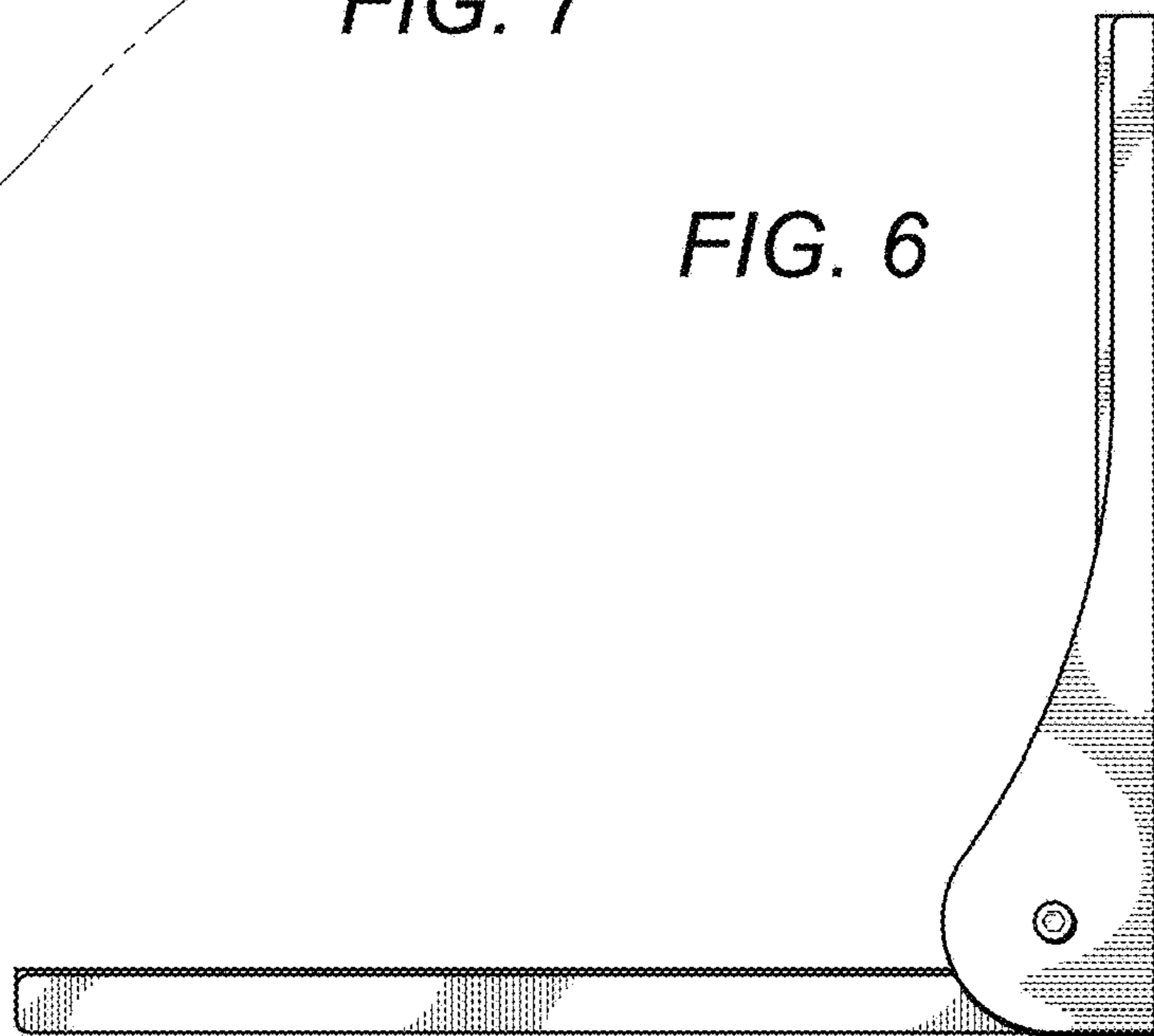


FIG. 6