



US00D784033S

(12) **United States Design Patent**
Li

(10) **Patent No.:** **US D784,033 S**

(45) **Date of Patent:** **** Apr. 18, 2017**

- (54) **BICYCLE SADDLE**
- (71) Applicant: **Mu-Rong Li**, Taichung (TW)
- (72) Inventor: **Mu-Rong Li**, Taichung (TW)
- (73) Assignee: **Great Go Cycles Inc.**, Taichung (TW)

(**) Term: **15 Years**

(21) Appl. No.: **29/555,152**

(22) Filed: **Feb. 18, 2016**

(51) **LOC (10) Cl.** **06-01**

(52) **U.S. Cl.**
USPC **D6/354**

(58) **Field of Classification Search**
USPC D6/340, 354; D12/110, 111
CPC ... B62J 1/002; B62J 1/005; B62J 1/007; B62J
1/26

See application file for complete search history.

(56) **References Cited**

U.S. PATENT DOCUMENTS

- D273,825 S * 5/1984 Persons D6/354
- D282,219 S * 1/1986 Persons D6/354
- D431,919 S * 10/2000 Bontrager D6/354
- D440,779 S * 4/2001 Bernardi D6/354

- D502,609 S * 3/2005 Tonin D6/354
- D523,651 S * 6/2006 Chao D6/354
- D590,160 S * 4/2009 Hung D6/354
- 7,661,757 B2 * 2/2010 Chuang B62J 1/002
297/202
- D760,507 S * 7/2016 Marcel D6/354
- 2016/0244113 A1 * 8/2016 Li B62J 1/18

* cited by examiner

Primary Examiner — George D Kirschbaum

Assistant Examiner — Natasha Vujcic

(74) *Attorney, Agent, or Firm* — Rosenberg, Klein & Lee

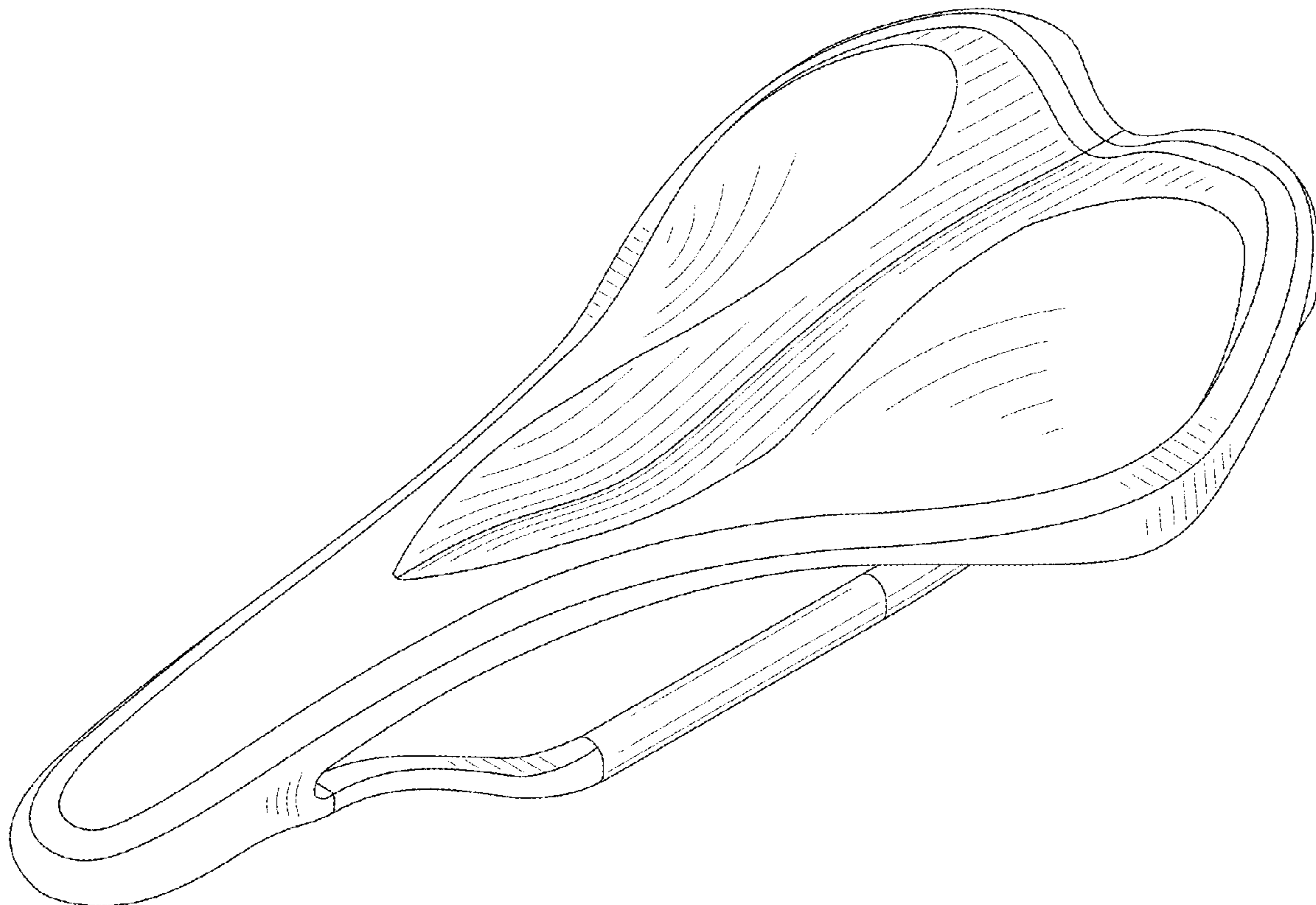
(57) **CLAIM**

The ornamental design for a bicycle saddle, as shown and described.

DESCRIPTION

FIG. 1 is a perspective view of a bicycle saddle showing my new design;
 FIG. 2 is a front elevational view thereof;
 FIG. 3 is a rear elevational view thereof;
 FIG. 4 is a left side view thereof;
 FIG. 5 is a right side view thereof;
 FIG. 6 is a top plan view thereof;
 FIG. 7 is a bottom plan view thereof; and,
 FIG. 8 is a perspective view showing a bicycle saddle from another position.

1 Claim, 7 Drawing Sheets



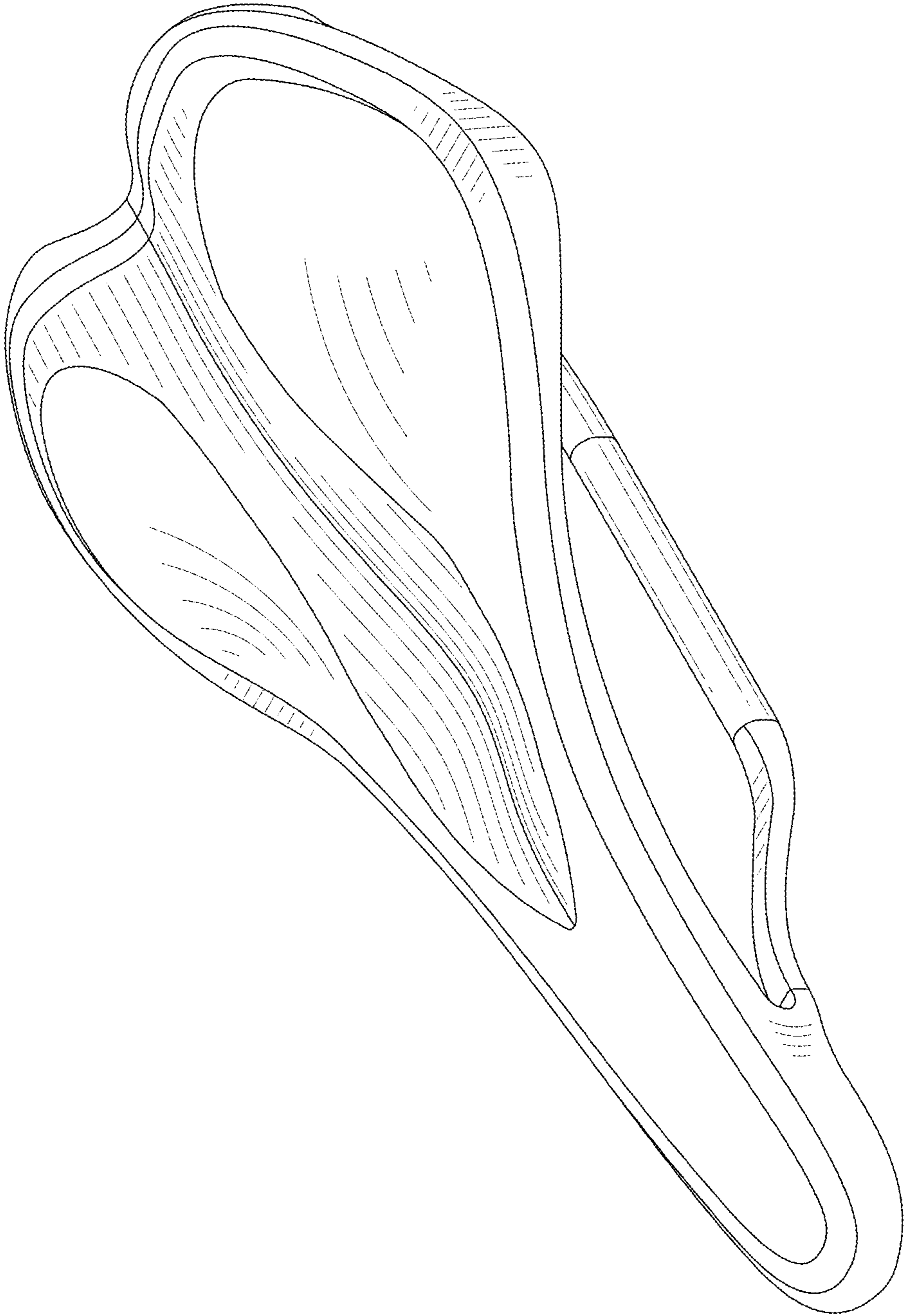


FIG.1

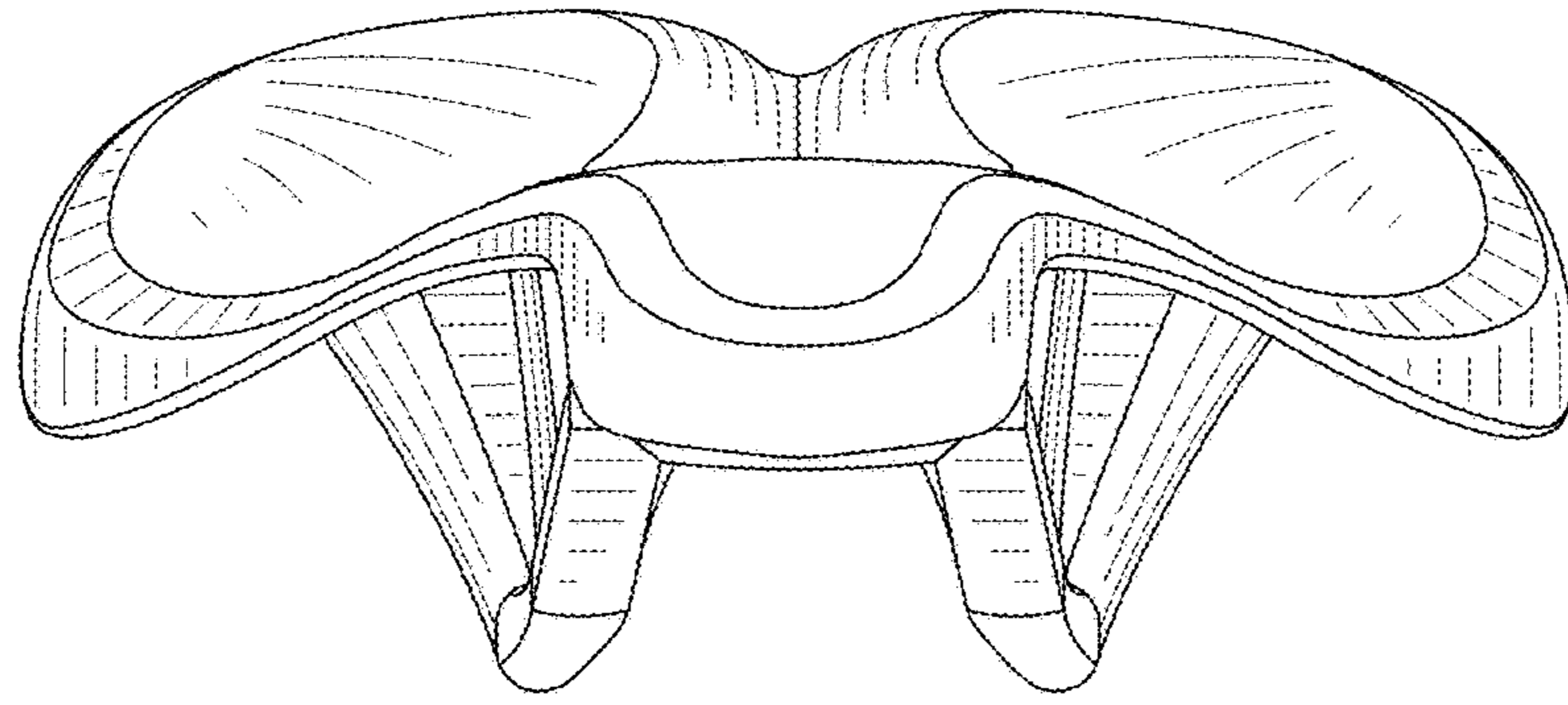


FIG. 2

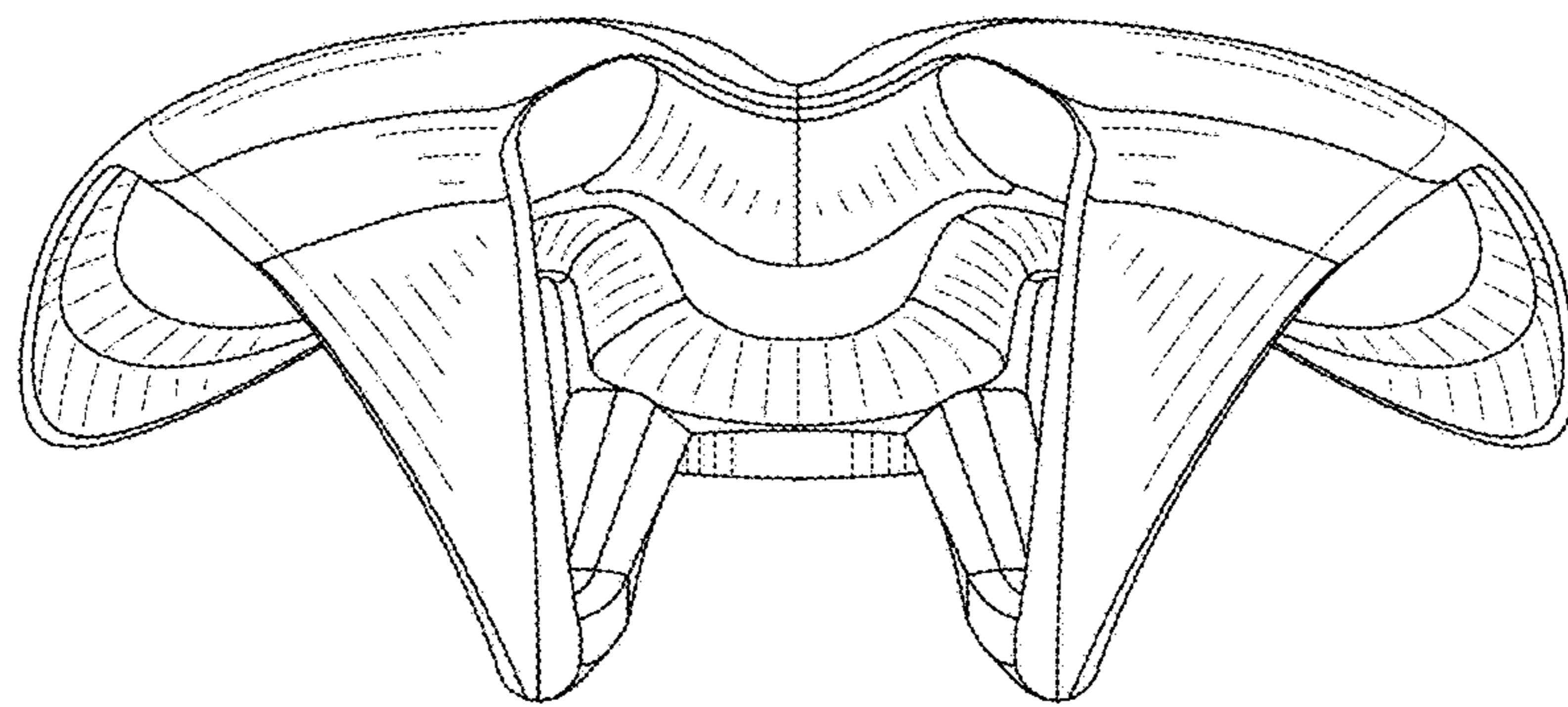


FIG. 3

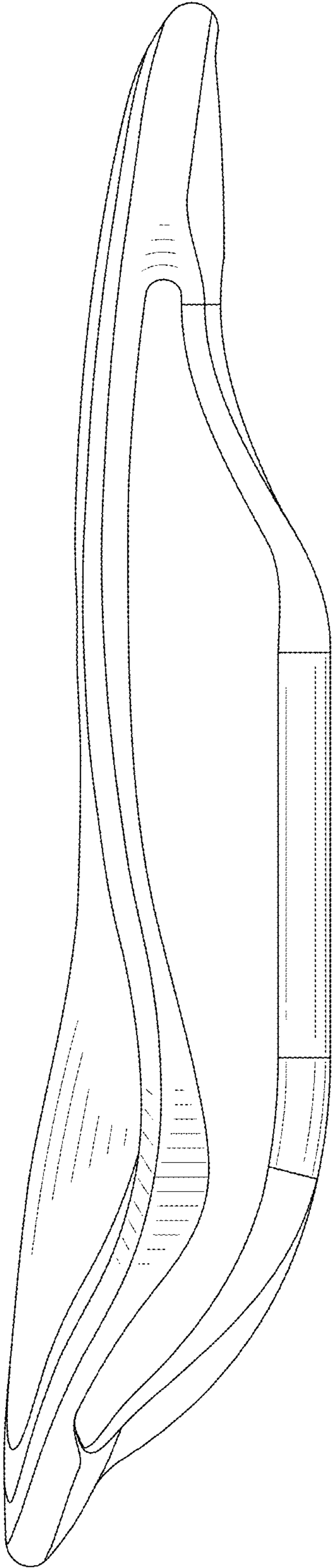


FIG.4

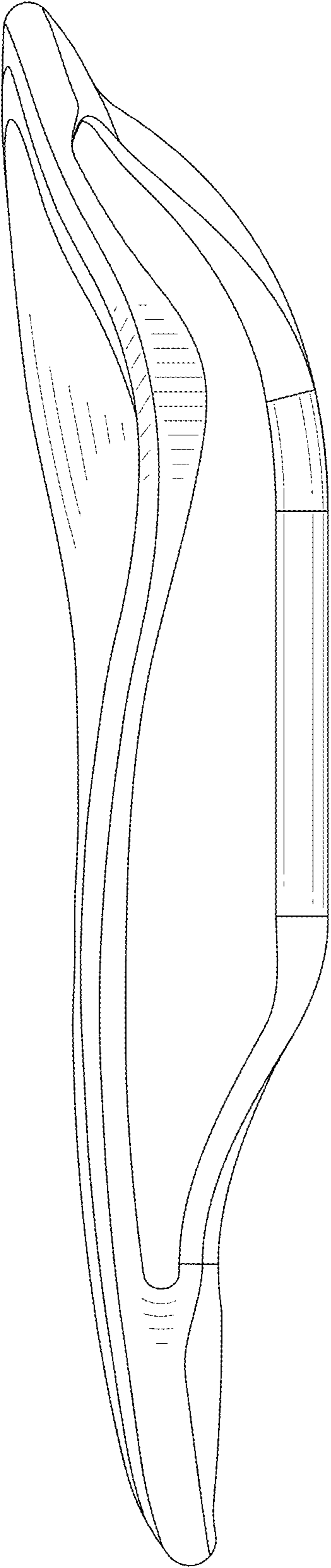


FIG.5

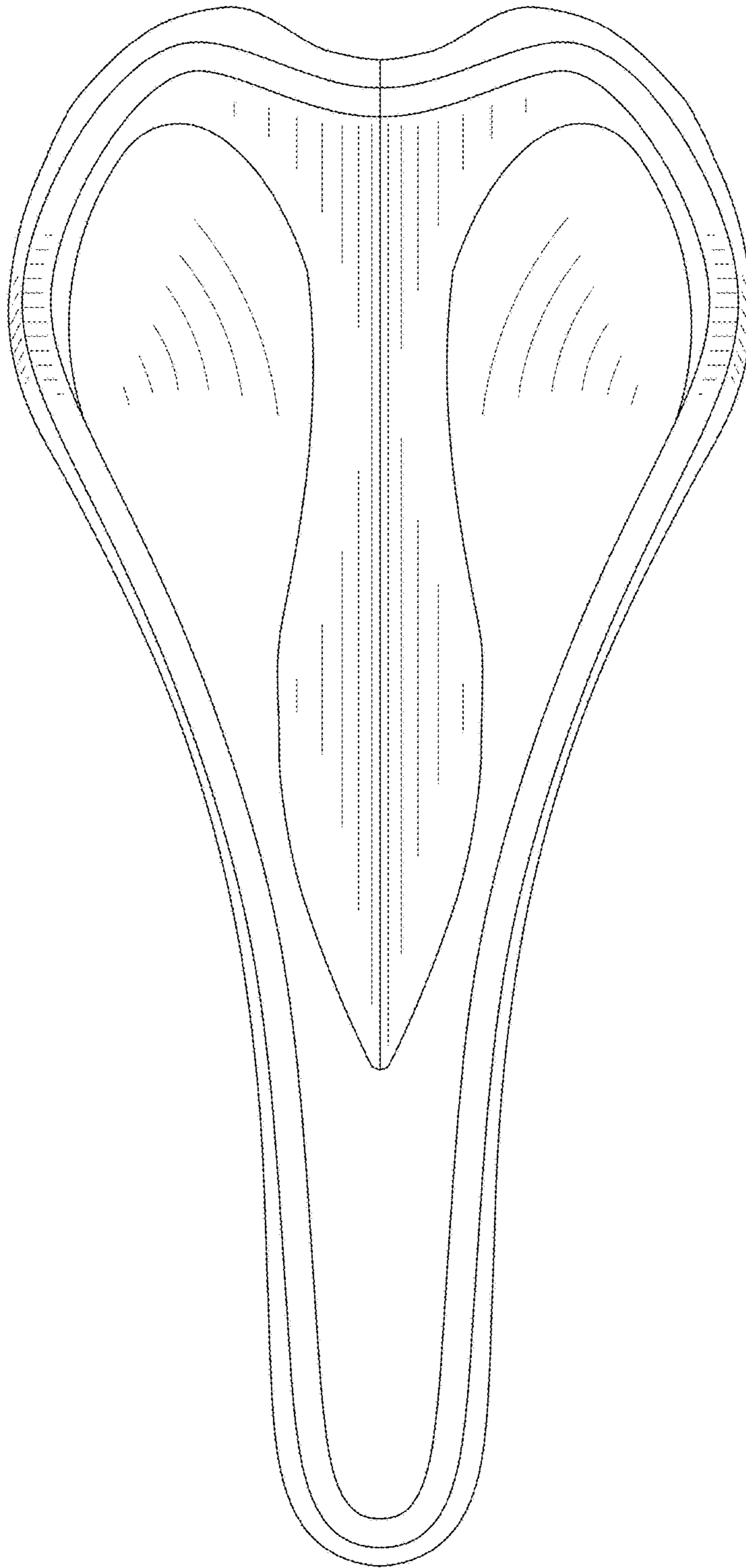


FIG.6

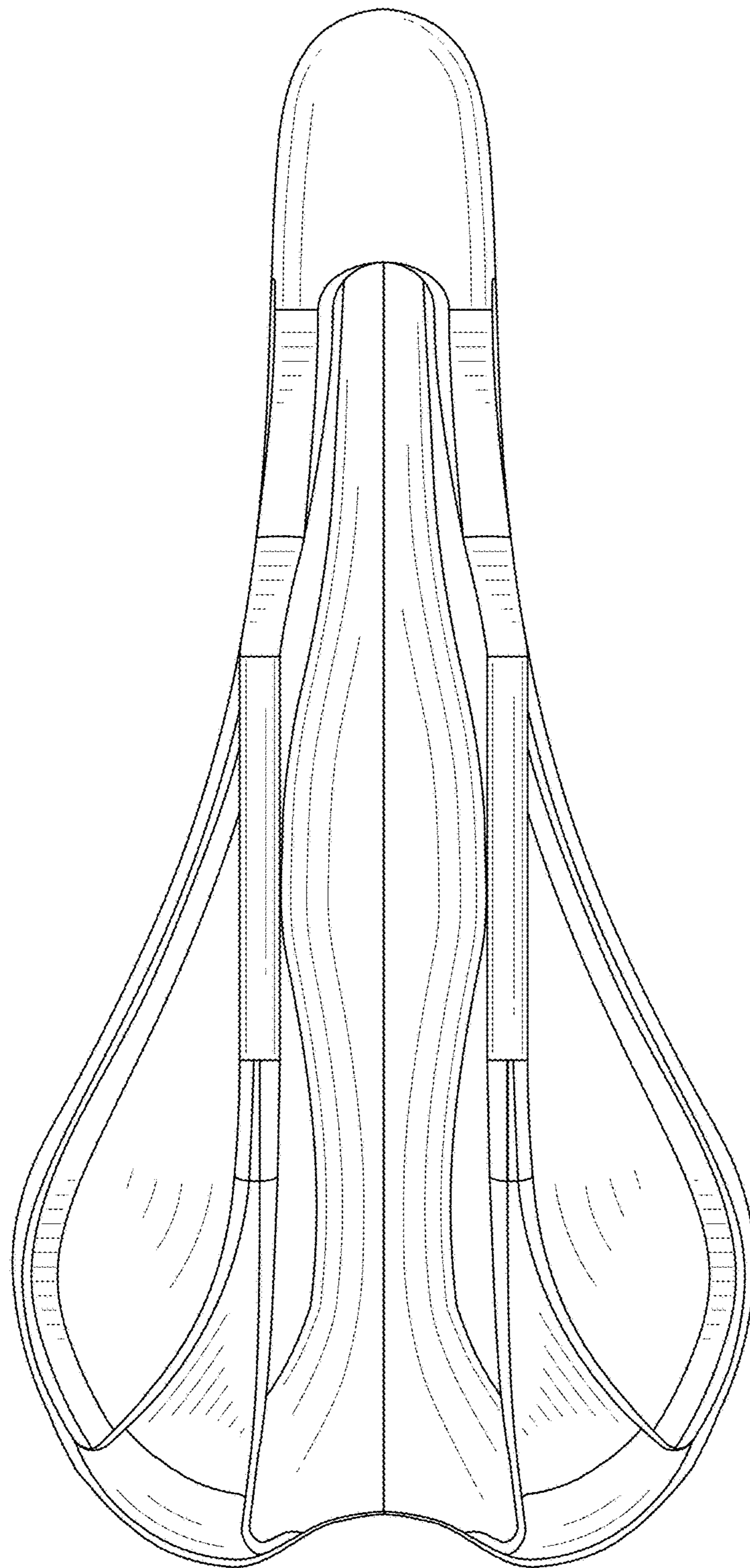


FIG.7

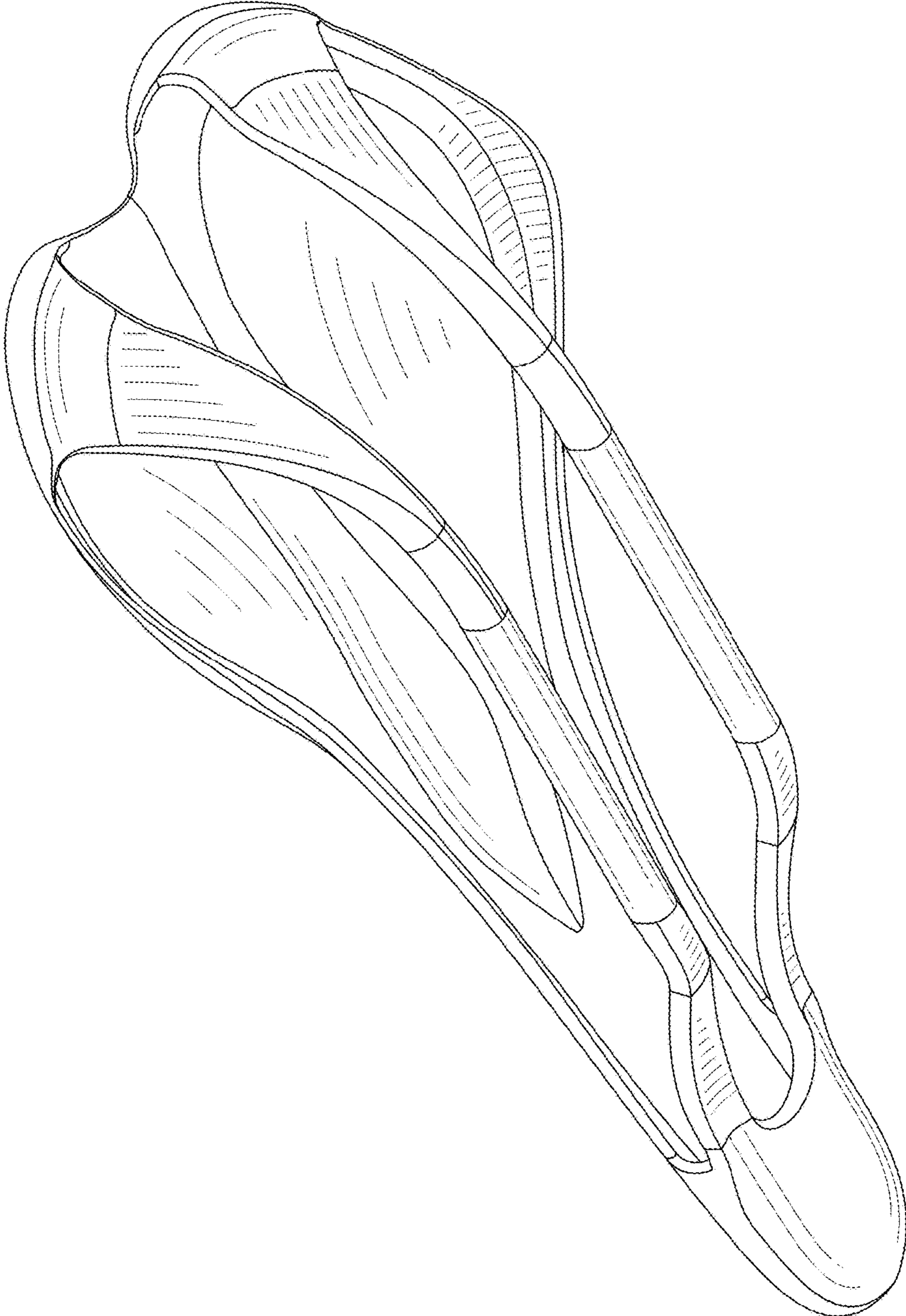


FIG.8