



US00D784028S

(12) **United States Design Patent** (10) **Patent No.:** **US D784,028 S**  
**Garcia et al.** (45) **Date of Patent:** **\*\* Apr. 18, 2017**

- (54) **HAIR BRUSH HANDLE**
- (71) Applicants: **Karla Garcia**, El Paso, TX (US);  
**Jaqueline Magallanes**, El Paso, TX (US)
- (72) Inventors: **Karla Garcia**, El Paso, TX (US);  
**Jaqueline Magallanes**, El Paso, TX (US)
- (73) Assignee: **HELEN OF TROY LIMITED**, St. Michael (BB)

- D421,874 S \* 3/2000 Freeman ..... D7/401.2
- D433,873 S \* 11/2000 Yu ..... D7/393
- D450,932 S \* 11/2001 Varriale ..... D4/138
- D452,616 S \* 1/2002 Varriale ..... D4/138
- D472,052 S \* 3/2003 Park ..... D4/119
- D479,916 S \* 9/2003 Park ..... D4/128
- D529,720 S \* 10/2006 Chang ..... D4/138
- D562,004 S \* 2/2008 Petruccelli, Sr. .... D4/128
- D611,986 S \* 3/2010 Ott ..... D19/162
- D644,440 S \* 9/2011 Rennette ..... D4/116
- D655,004 S \* 2/2012 Ruiz, Sr. .... D24/133
- D666,670 S \* 9/2012 Dehne ..... D19/108

(Continued)

(\*\*) Term: **15 Years**

FOREIGN PATENT DOCUMENTS

(21) Appl. No.: **29/529,422**

KR 300654850 \* 8/2012

(22) Filed: **Jun. 6, 2015**

OTHER PUBLICATIONS

(51) **LOC (10) Cl.** ..... **04-02**

(52) **U.S. Cl.**  
USPC ..... **D4/138**

(58) **Field of Classification Search**  
USPC ..... D4/100, 102, 127-135, 136, 138, 199;  
D7/393; D8/47, 75, 82, 83, 107, 300,  
D8/307-313; D9/723-729; D19/100,  
D19/108, 115, 125; D24/200, 211, 214  
CPC .. A46B 5/00; A46B 5/02; A46B 5/021; A46B  
9/00; A46B 9/02; A46B 9/021; A46B  
9/023; A46B 9/025; A46B 9/026; A46B  
9/028; A46B 11/00; A46B 11/0006; A46B  
11/001; A46B 13/00; A46B 13/001; A46B  
13/02; A46B 13/023; A46B 15/0002;  
A46B 2200/10; A46B 2200/102; A46B  
2200/1033; A46B 2200/104; A46B  
2200/1046; A46B 2200/30; A46B  
2200/3006; A46B 2200/3013; A46B  
2200/3033; A46B 2200/3093  
See application file for complete search history.

Hard Tungsten Steel Alloy Nail Drill Bits, posted at Ebay [online], posting date not available, set purchased on Nov. 23, 2014[site visted Mar. 30, 2016]. Available from the Internet, <URL: http://www.ebay.com/itm/Hard-tungsten-steel-alloy-Wear-Nail-Drill-Bits-Rotary-File-6-PCS-/181362153999?hash=item2a3a06da0f:g:GjUAAOxydUJTMxiJ>.\*

*Primary Examiner* — Catheri Oliver-Garcia  
*Assistant Examiner* — Rebekah A Caruso

(56) **References Cited**

U.S. PATENT DOCUMENTS

- D251,517 S \* 4/1979 Baudon ..... D4/128
- D332,385 S \* 1/1993 Adams ..... D8/107

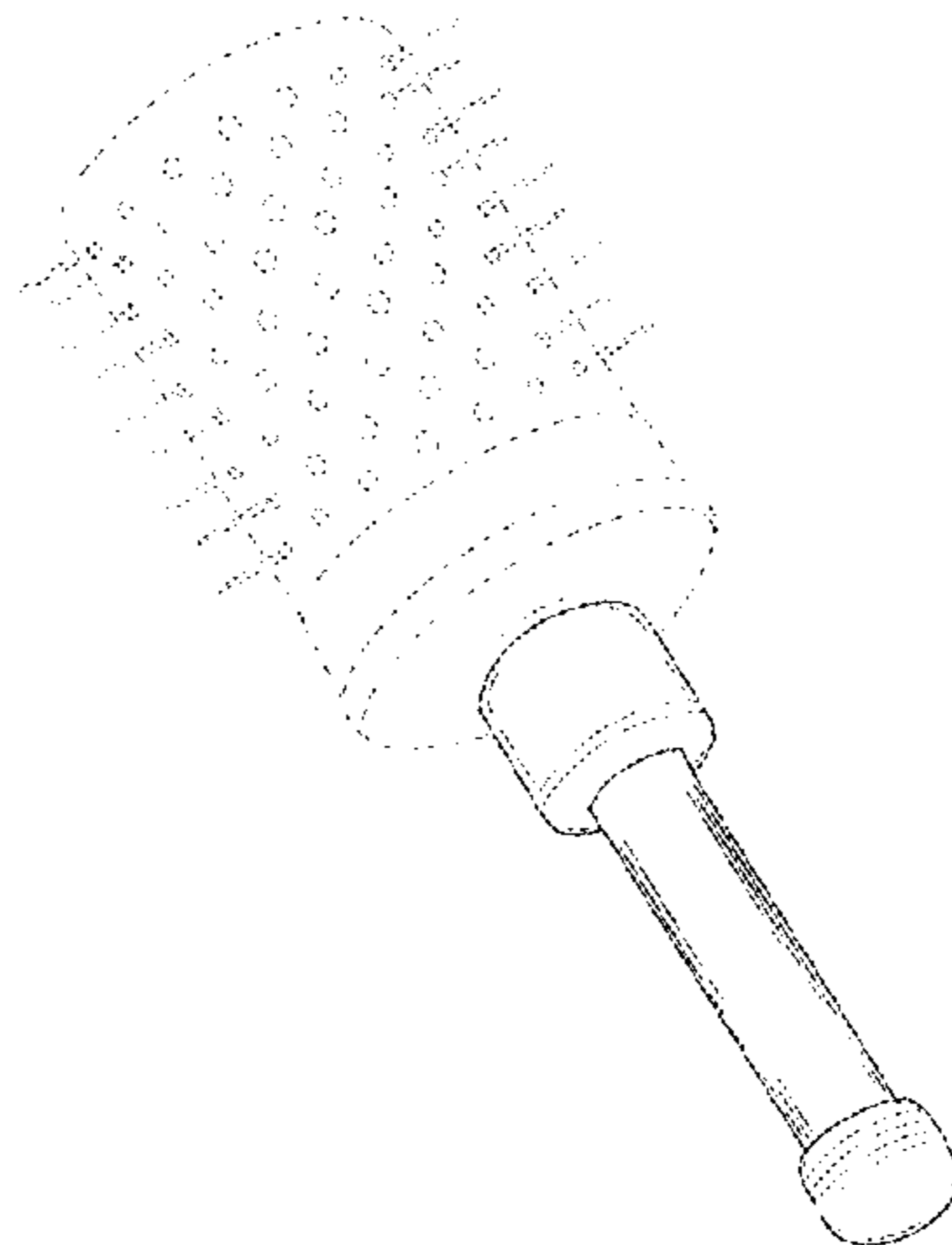
(57) **CLAIM**

The ornamental design for a hair brush handle, as shown, and described.

**DESCRIPTION**

FIG. 1 is a perspective view of the hair brush handle; FIG. 2 is a side view of the hair brush handle; FIG. 3 is a bottom view of the hair brush handle; and, FIG. 4 is a top view of the hair brush handle. The broken lines shown in the drawings depict portions of the hair brush handle that form no part of the claimed design.

**1 Claim, 4 Drawing Sheets**



(56)

**References Cited**

U.S. PATENT DOCUMENTS

D671,327 S *	11/2012	D'Alleva .....	D4/138
D691,810 S *	10/2013	Dana .....	D4/108
D704,521 S *	5/2014	Su .....	D8/107
D744,096 S *	11/2015	van Dullemen .....	D24/133
2012/0096664 A1 *	4/2012	Sayeed .....	A46D 1/0215 15/167.1

\* cited by examiner

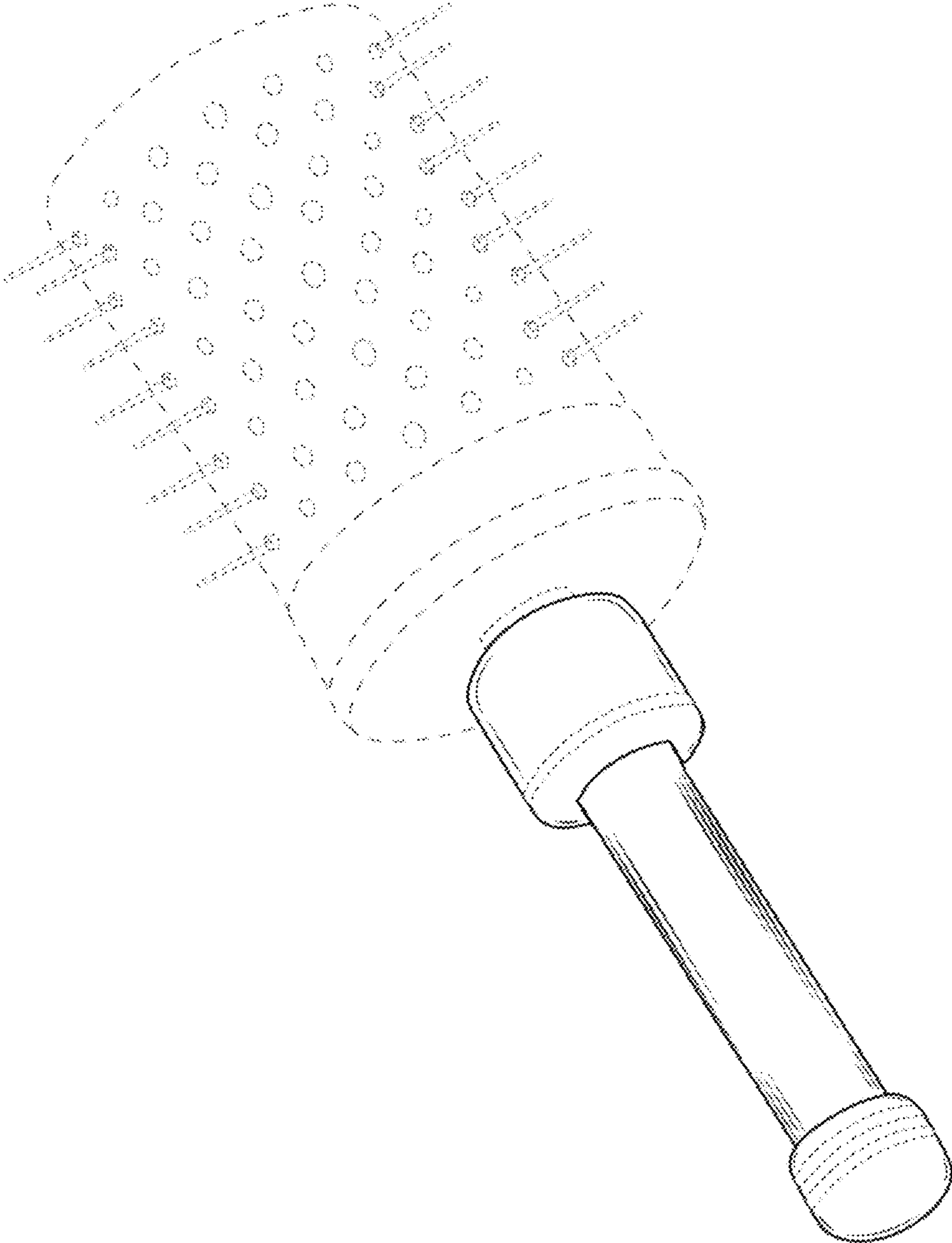


Figure 1

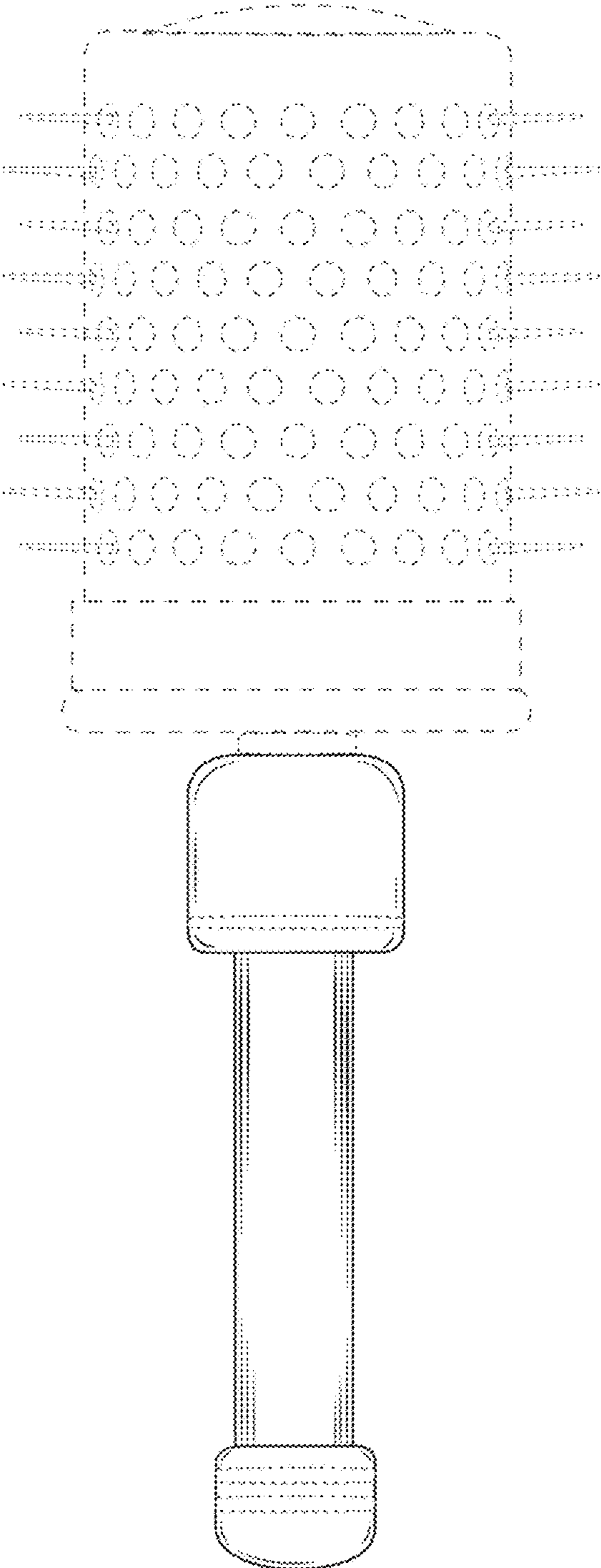


Figure 2

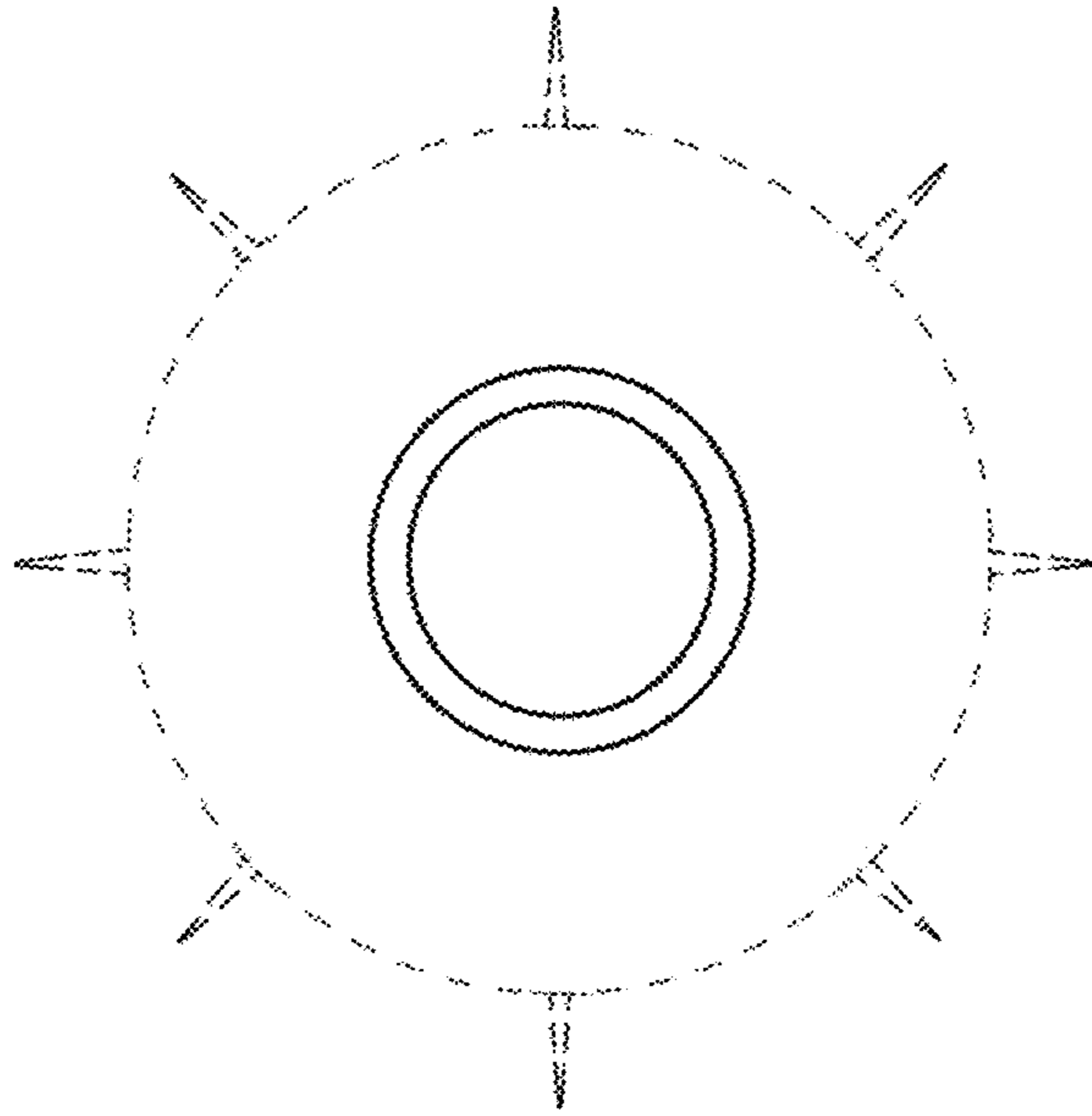


Figure 3

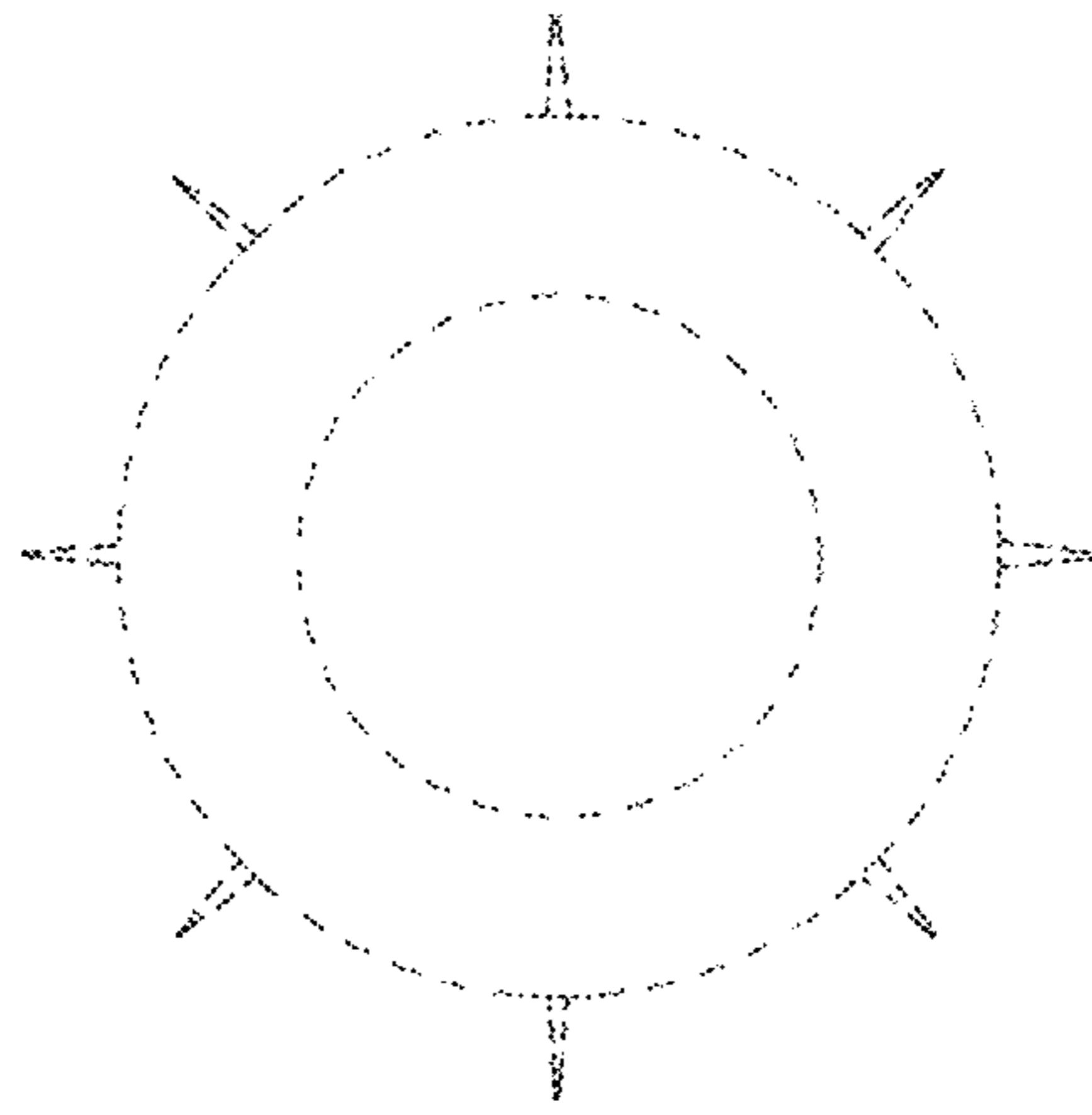


Figure 4