



US00D784027S

(12) **United States Design Patent** (10) **Patent No.:** **US D784,027 S**  
**Bennett et al.** (45) **Date of Patent:** **\*\* Apr. 18, 2017**

(54) **BASTING BRUSH HEAD**

(71) Applicant: **TUESDAY MORNING PARTNERS, LTD.**, Dallas, TX (US)

(72) Inventors: **Timothy J. Bennett**, Colorado Springs, CO (US); **Daniel S. Keating**, Colorado Springs, CO (US)

(73) Assignee: **TUESDAY MORNING PARTNERS, LTD.**, Dallas, TX (US)

(\*\*) Term: **15 Years**

(21) Appl. No.: **29/532,157**

(22) Filed: **Jul. 2, 2015**

(51) **LOC (10) Cl.** ..... **04-02**

(52) **U.S. Cl.**  
USPC ..... **D4/136**

(58) **Field of Classification Search**  
USPC ..... D4/130, 132, 133, 135, 136; 15/159.1, 15/160, 171, 174, 207.2, 188  
CPC .... A46D 1/00; A46B 9/02; A46B 3/08; A46B 2200/1066; A45B 3/10  
See application file for complete search history.

(56) **References Cited**

U.S. PATENT DOCUMENTS

2,834,037	A	5/1958	Schumann	
D255,512	S	6/1980	Christen, Jr.	
4,791,695	A *	12/1988	Kephart	A46B 9/02
				101/372
5,429,402	A *	7/1995	Kennedy	B03C 1/28
				15/160
6,210,060	B1	4/2001	Gueret	
D455,559	S *	4/2002	Wang	D4/132
D456,607	S *	5/2002	Carlucci	D4/101
D456,615	S	5/2002	Zemel	
D458,760	S *	6/2002	Rowe	D4/127
D465,336	S	11/2002	Zemel	

(Continued)

OTHER PUBLICATIONS

“Artisan Silicone Basting Brush Kit”, printed from www.woodturnerscatalog.com/p/54/5889/Artisan-Silicone-Basting-Brush-Kit, publicly available at least as early as Jun. 30, 2015 (2 pages).

(Continued)

*Primary Examiner* — John Windmuller

*Assistant Examiner* — Steven Czyz

(74) *Attorney, Agent, or Firm* — Haynes and Boone, LLP

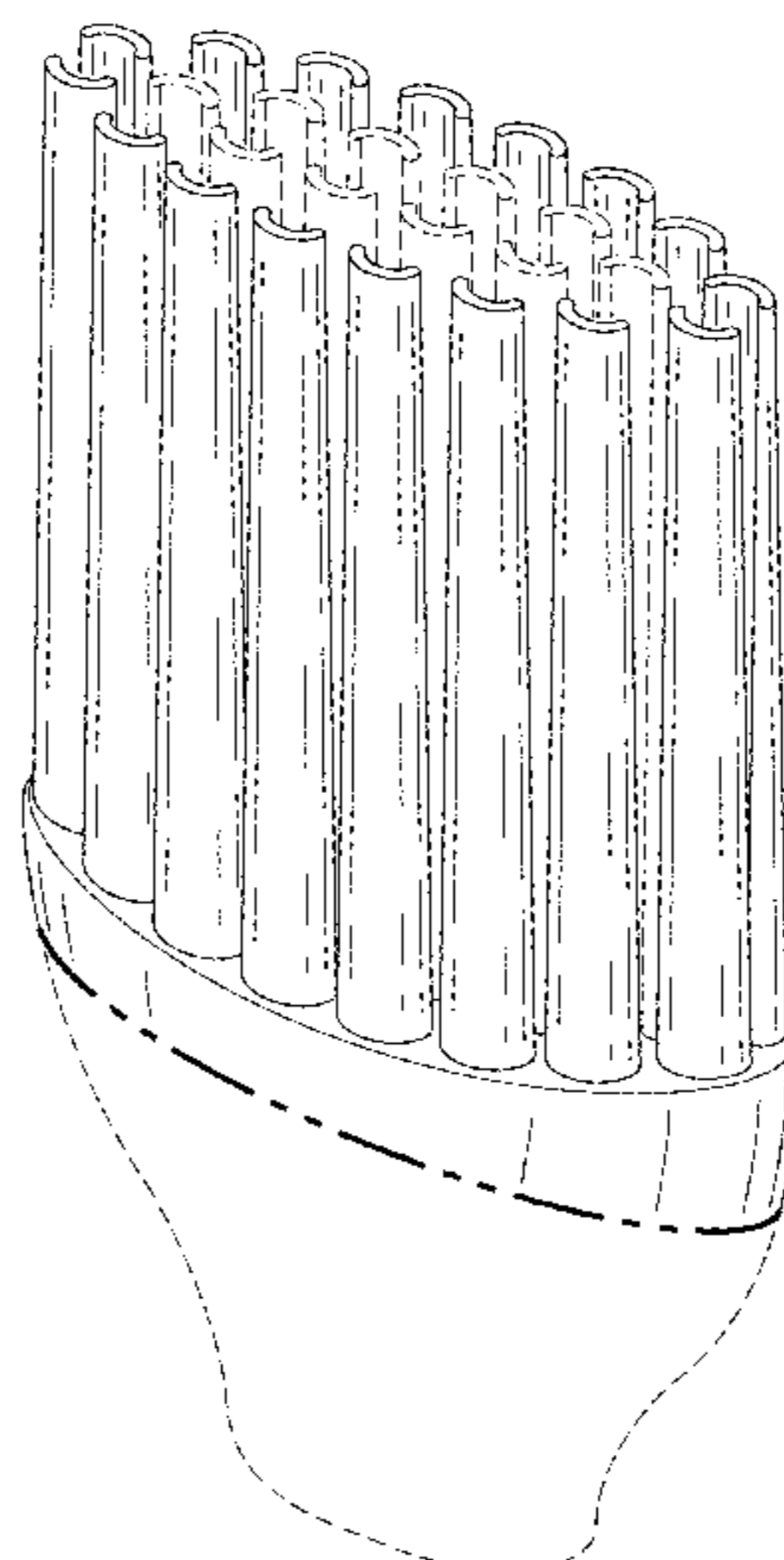
(57) **CLAIM**

The ornamental design for a basting brush head, as shown and described.

**DESCRIPTION**

FIG. 1 is a front, perspective view of a basting brush head showing a first embodiment of our new design; FIG. 2 is a front view thereof, the rear view being a mirror image of the front view; FIG. 3 is a right side view thereof, the left side view being a mirror image of the right side view; FIG. 4 is a top view thereof; and FIG. 5 is a bottom view thereof. FIG. 6 is a front, perspective view of the basting brush head of FIG. 1 illustrated with additional environmental subject matter including a handle of a basting brush; FIG. 7 is a front view thereof, the rear view being a mirror image of the front view; FIG. 8 is a right side view thereof, the left side view being a mirror image of the right side view; FIG. 9 is a top view thereof; and, FIG. 10 is a bottom view thereof. The features shown in broken lines are portions of the basting brush head or environmental subject matter to the basting brush head forming no part of the claimed design. The features shown in long dash-short dash bolded broken lines indicate the bounds of the claimed design and otherwise form no part of the claimed design.

**1 Claim, 4 Drawing Sheets**



(56)

**References Cited**

U.S. PATENT DOCUMENTS

D524,057 S \* 7/2006 Wong ..... D4/132  
 7,143,462 B2 \* 12/2006 Hohlbein ..... A46B 9/026  
 15/106  
 D536,530 S \* 2/2007 Peterson ..... D4/121  
 D544,714 S \* 6/2007 Zemel ..... D4/114  
 D563,675 S \* 3/2008 Zemel ..... D4/135  
 D564,845 S \* 3/2008 Kavanaugh ..... D4/135  
 7,373,686 B2 5/2008 Foster et al.  
 D580,659 S 11/2008 Zemel  
 D614,407 S \* 4/2010 Muhl ..... D4/135  
 D616,205 S \* 5/2010 Rothman ..... D4/135  
 7,716,775 B2 \* 5/2010 DiPietro ..... A46B 5/02  
 15/114  
 D628,392 S \* 12/2010 Genatossio ..... D4/135  
 8,256,808 B2 9/2012 Spellman  
 8,887,344 B2 11/2014 Bachar et al.  
 D738,628 S \* 9/2015 Krohmer ..... D4/118  
 D744,241 S \* 12/2015 Krohmer ..... D4/130  
 D751,824 S \* 3/2016 Childs ..... D4/135

2007/0006411 A1\* 1/2007 Foster ..... A46B 5/02  
 15/207.2  
 2007/0143945 A1\* 6/2007 DiPietro ..... A46B 5/02  
 15/188  
 2010/0199449 A1\* 8/2010 Ho ..... A46B 3/005  
 15/207.2  
 2011/0035895 A1\* 2/2011 Muhl ..... A45D 19/00  
 15/171

OTHER PUBLICATIONS

“Prep Solutions Heads-Up™ No Mess Basting Brush”, printed from  
<http://progressiveintl.com/products/dripless-basting-brush-1>, pub-  
 licly available at least as early as Jun. 30, 2015 (2 pages).  
 U.S. Appl. No. 29/532,183, filed Jul. 2, 2015 (9 pages).  
 U.S. Appl. No. 29/532,188, filed Jul. 2, 2015 (25 pages).  
 U.S. Appl. No. 29/532,194, filed Jul. 2, 2015 (16 pages).  
 U.S. Appl. No. 29/532,196, filed Jul. 2, 2015 (15 pages).  
 U.S. Appl. No. 29/532,198, filed Jul. 2, 2015 (12 pages).

\* cited by examiner

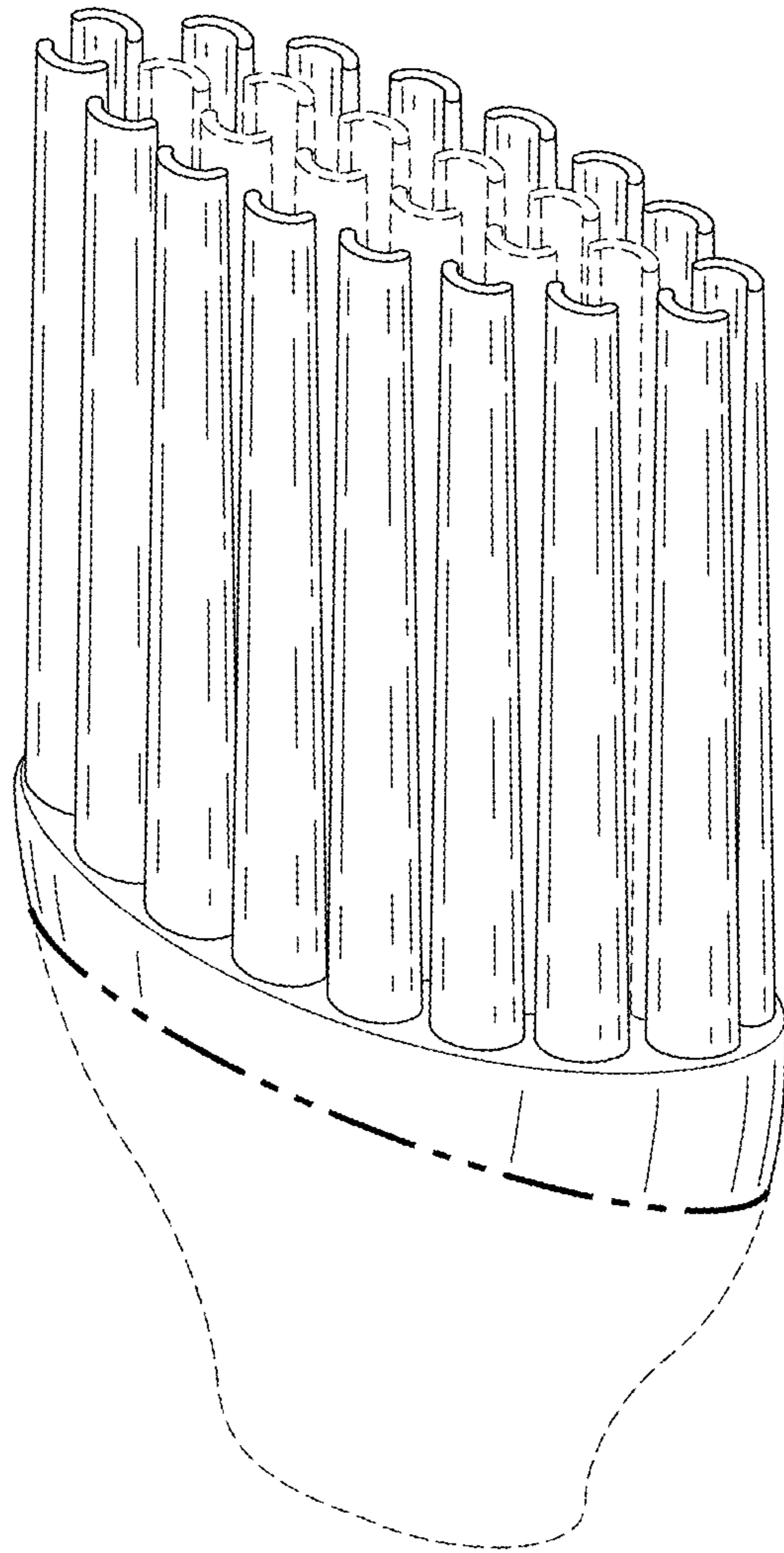


FIG. 1

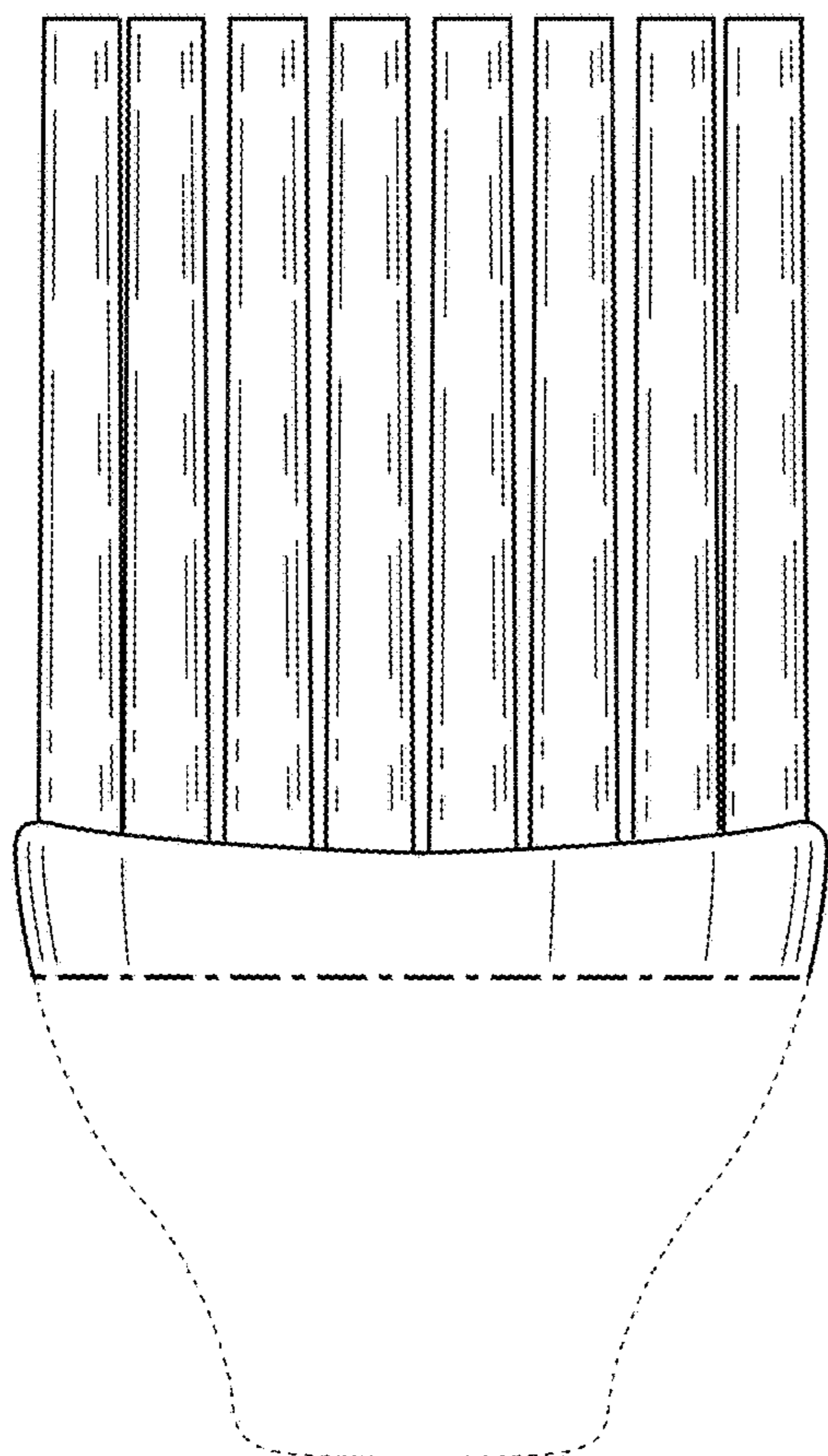


FIG. 2

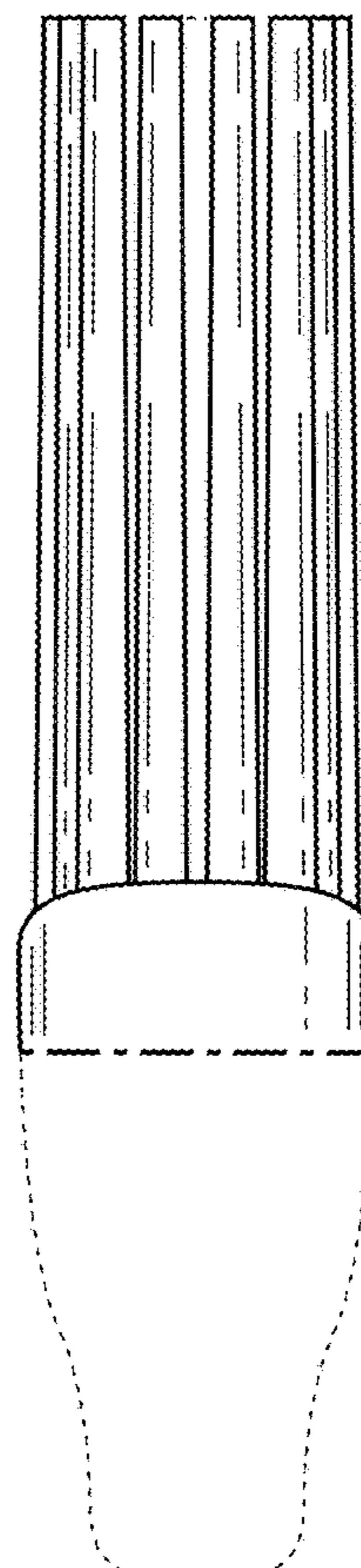


FIG. 3

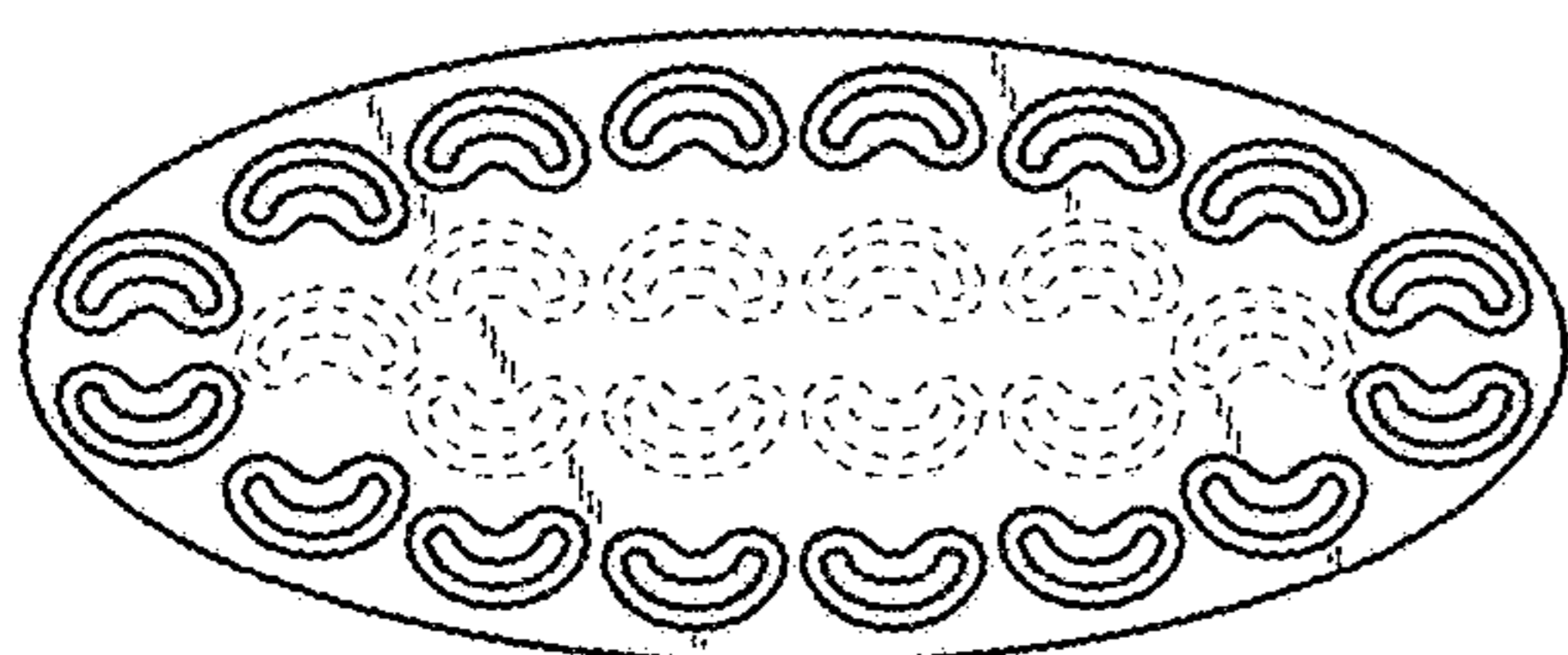


FIG. 4

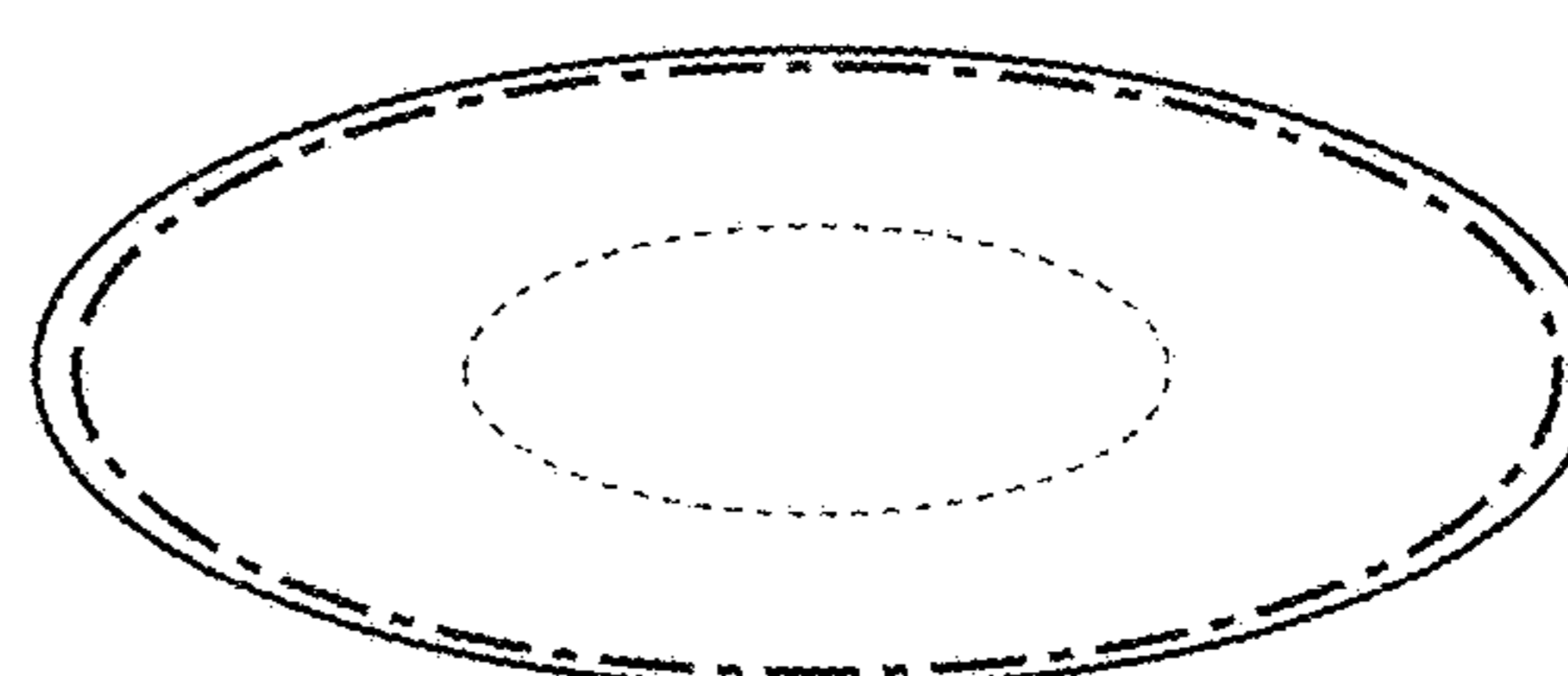


FIG. 5

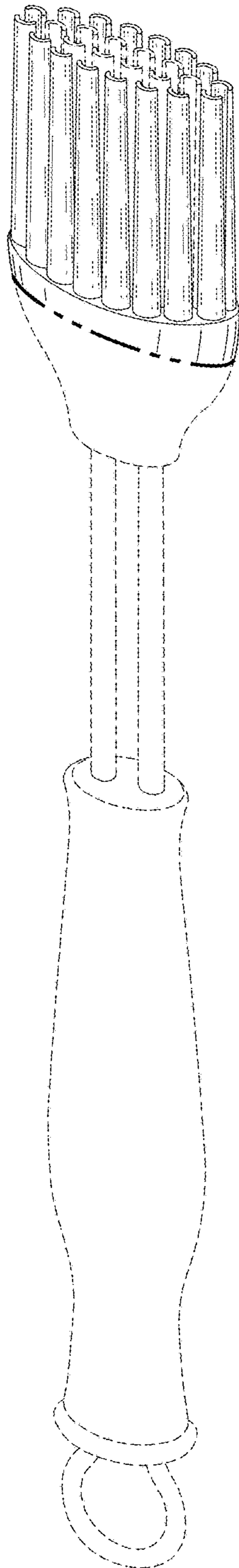


FIG. 6

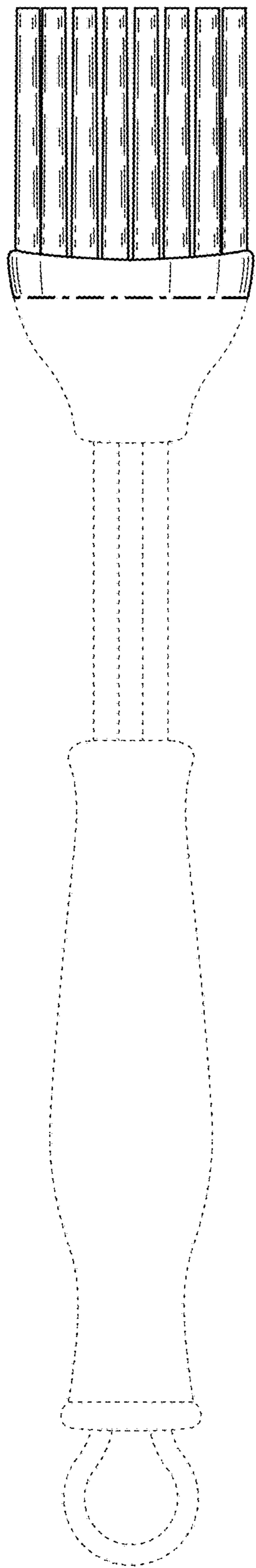


FIG. 7

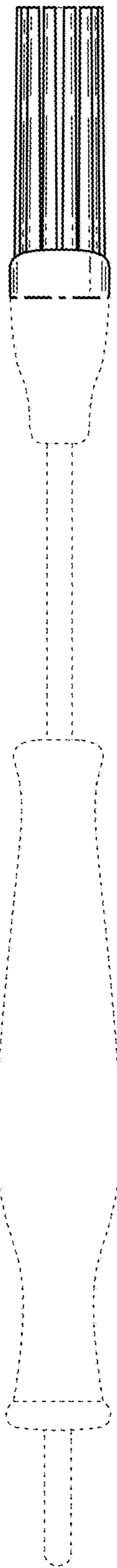


FIG. 8

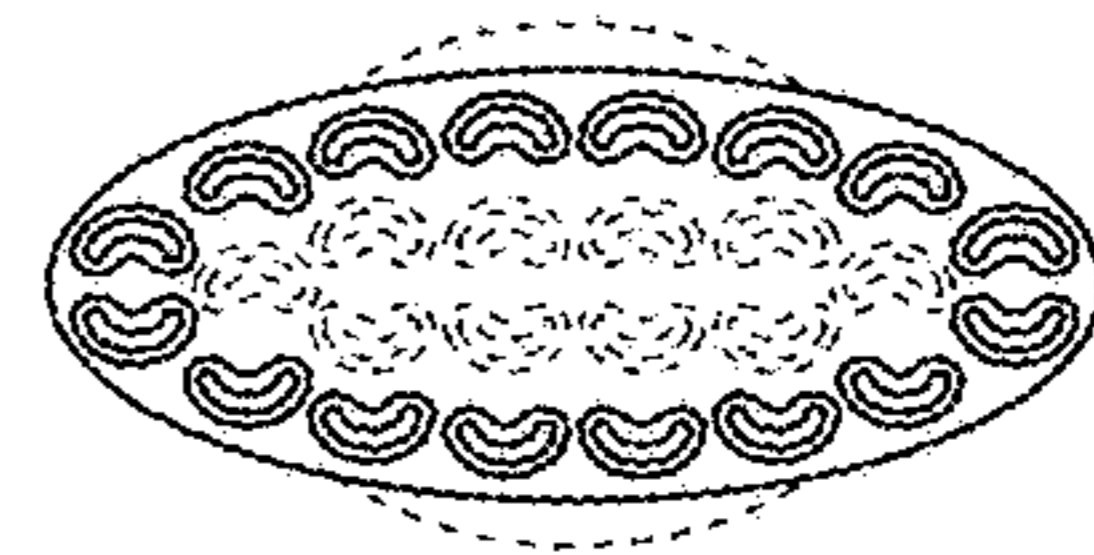


FIG. 9

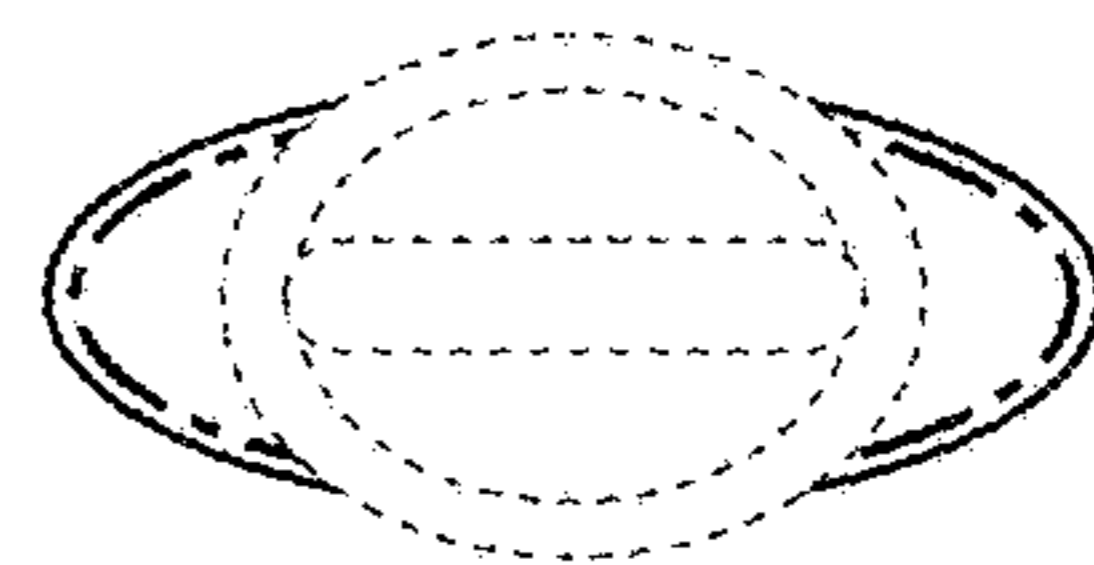


FIG. 10