



US00D784026S

(12) **United States Design Patent**
Shen

(10) **Patent No.:** **US D784,026 S**

(45) **Date of Patent:** **** Apr. 18, 2017**

(54) **CLEANING BRUSH**

(71) Applicant: **Min Shen**, Guangdong (CN)

(72) Inventor: **Min Shen**, Guangdong (CN)

(**) Term: **15 Years**

(21) Appl. No.: **29/567,900**

(22) Filed: **Jun. 14, 2016**

(51) **LOC (10) Cl.** **04-02**

(52) **U.S. Cl.**
USPC **D4/128**

(58) **Field of Classification Search**
USPC D4/128, 129, 131, 136, 138, 108, 109,
D4/119; D32/35, 51; 15/104.5, 104.16,
15/104.2, 104.31, 104.32, 164, 165, 206;
D28/65; D7/682; 452/298, 458
CPC A46B 7/026; A46B 5/005; A46B 17/04;
A46B 2200/1046
See application file for complete search history.

(56) **References Cited**

U.S. PATENT DOCUMENTS

D157,248 S * 2/1950 Fay D4/135
D438,013 S * 2/2001 Hay D4/114

D439,052 S * 3/2001 Hay D4/114
D439,053 S * 3/2001 Hay D4/114
6,224,283 B1 * 5/2001 Hay A46B 11/0013
222/213
D480,878 S * 10/2003 Mastroianni D4/127
D573,347 S * 7/2008 Dondi D4/128
D689,700 S * 9/2013 Lee D4/114
D716,054 S * 10/2014 Sawicki D4/128

* cited by examiner

Primary Examiner — Austin Murphy

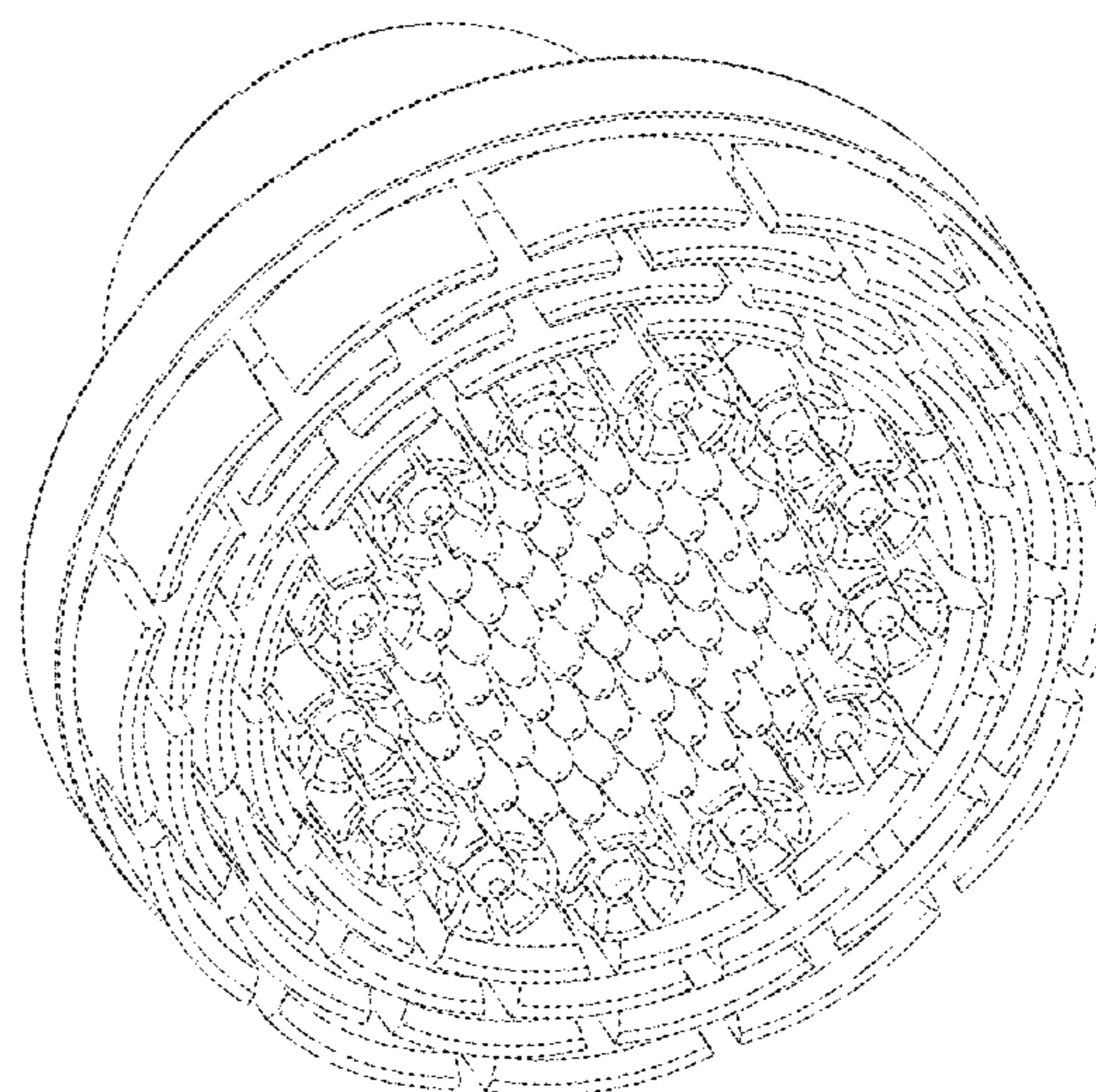
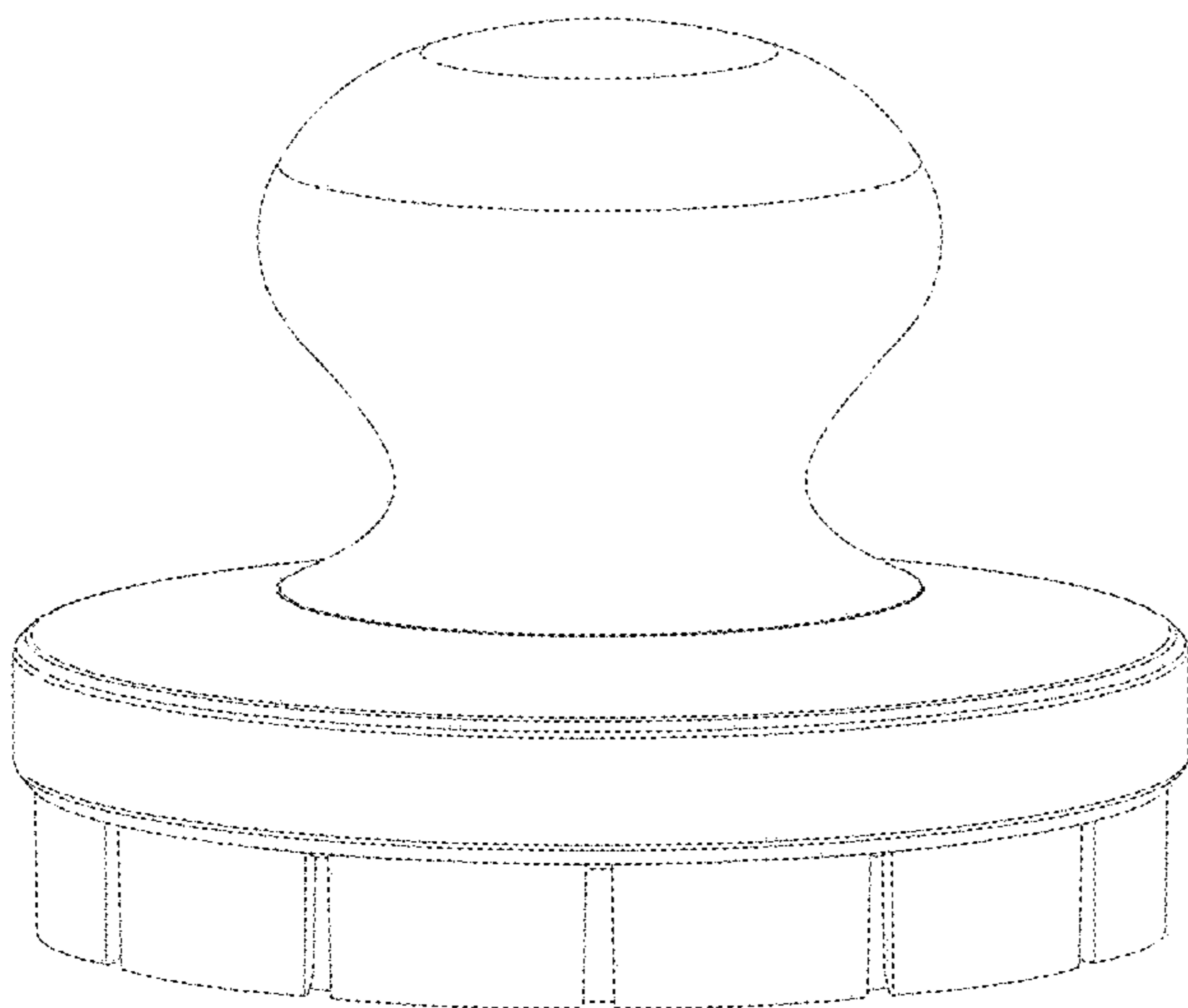
(57) **CLAIM**

The ornamental design for a cleaning brush, as shown.

DESCRIPTION

FIG. 1 is a front elevational view of a cleaning brush showing my new design;
FIG. 2 is a rear elevational view thereof;
FIG. 3 is a left side view thereof;
FIG. 4 is a right side view thereof;
FIG. 5 is a top plan view thereof;
FIG. 6 is a bottom plan view thereof;
FIG. 7 is a perspective view thereof; and,
FIG. 8 is another perspective view thereof.

1 Claim, 6 Drawing Sheets



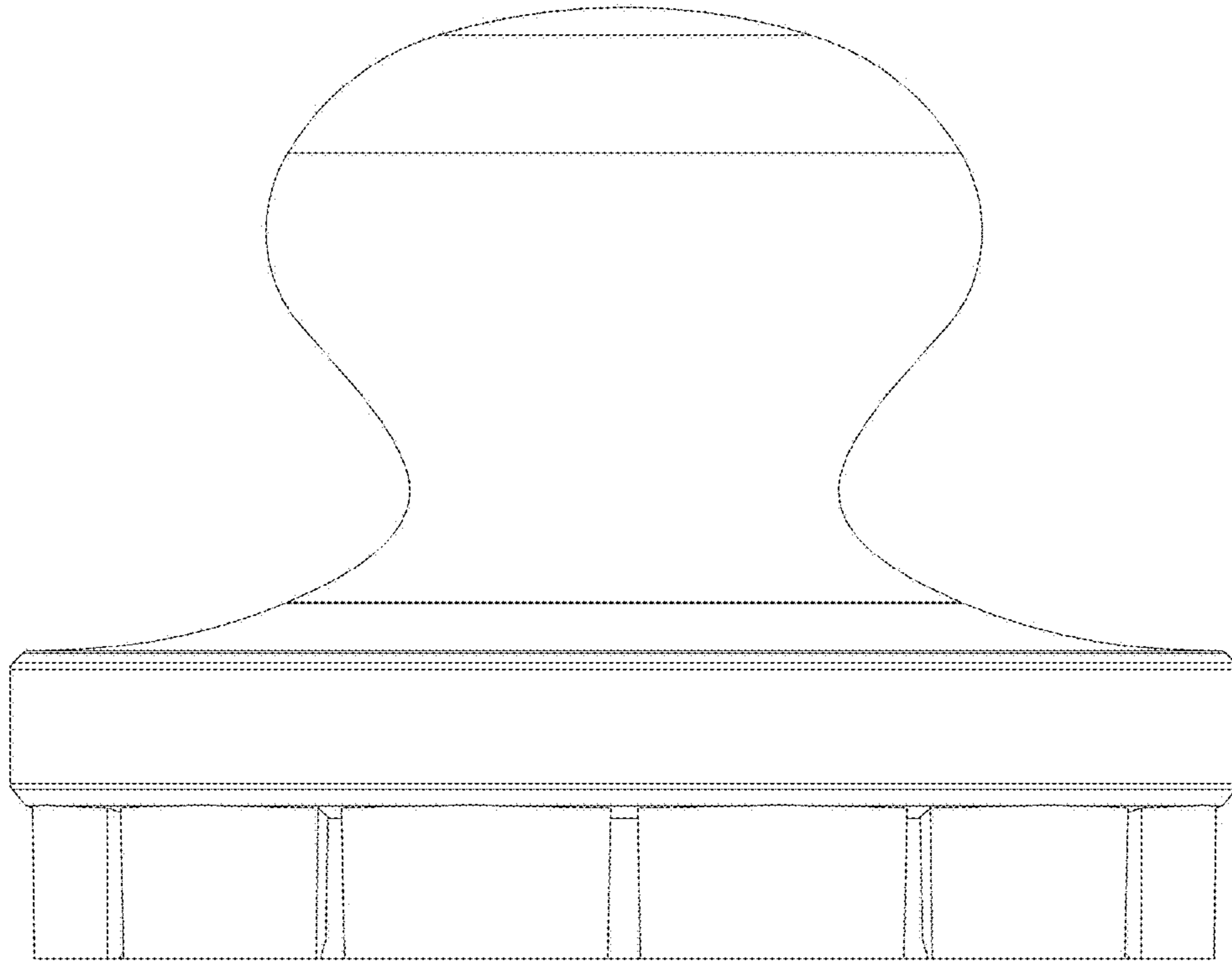


FIG. 1

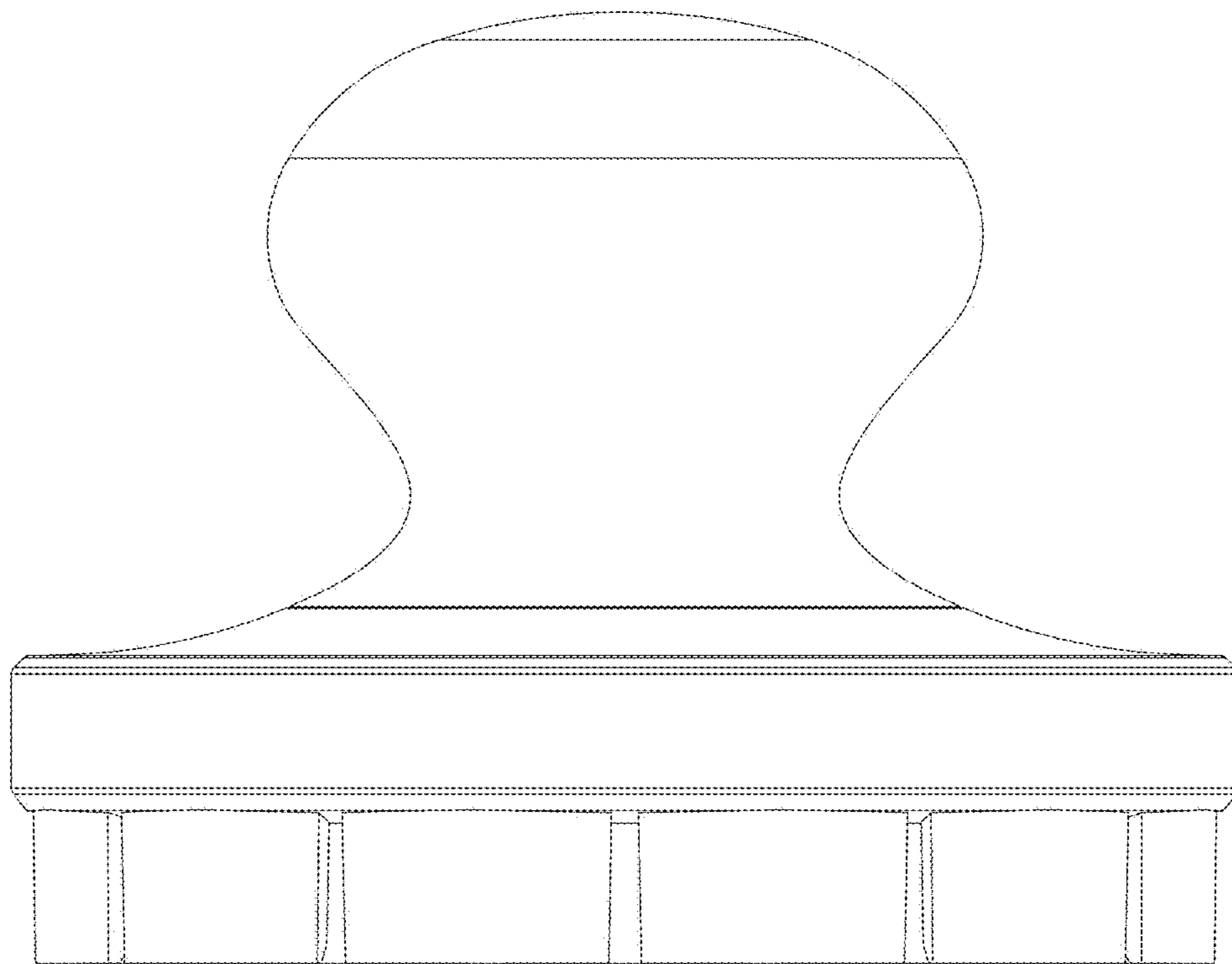


FIG. 2

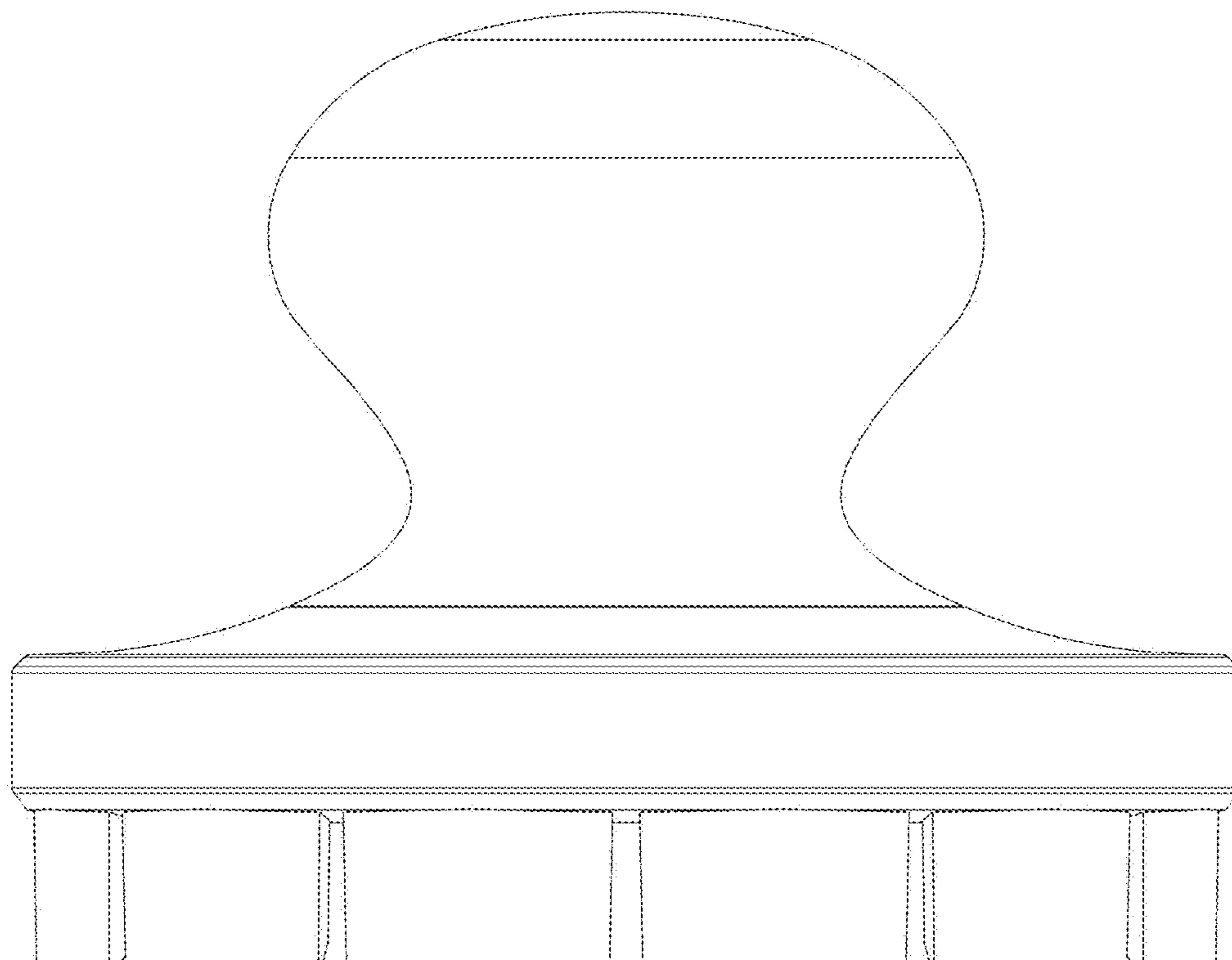


FIG. 3

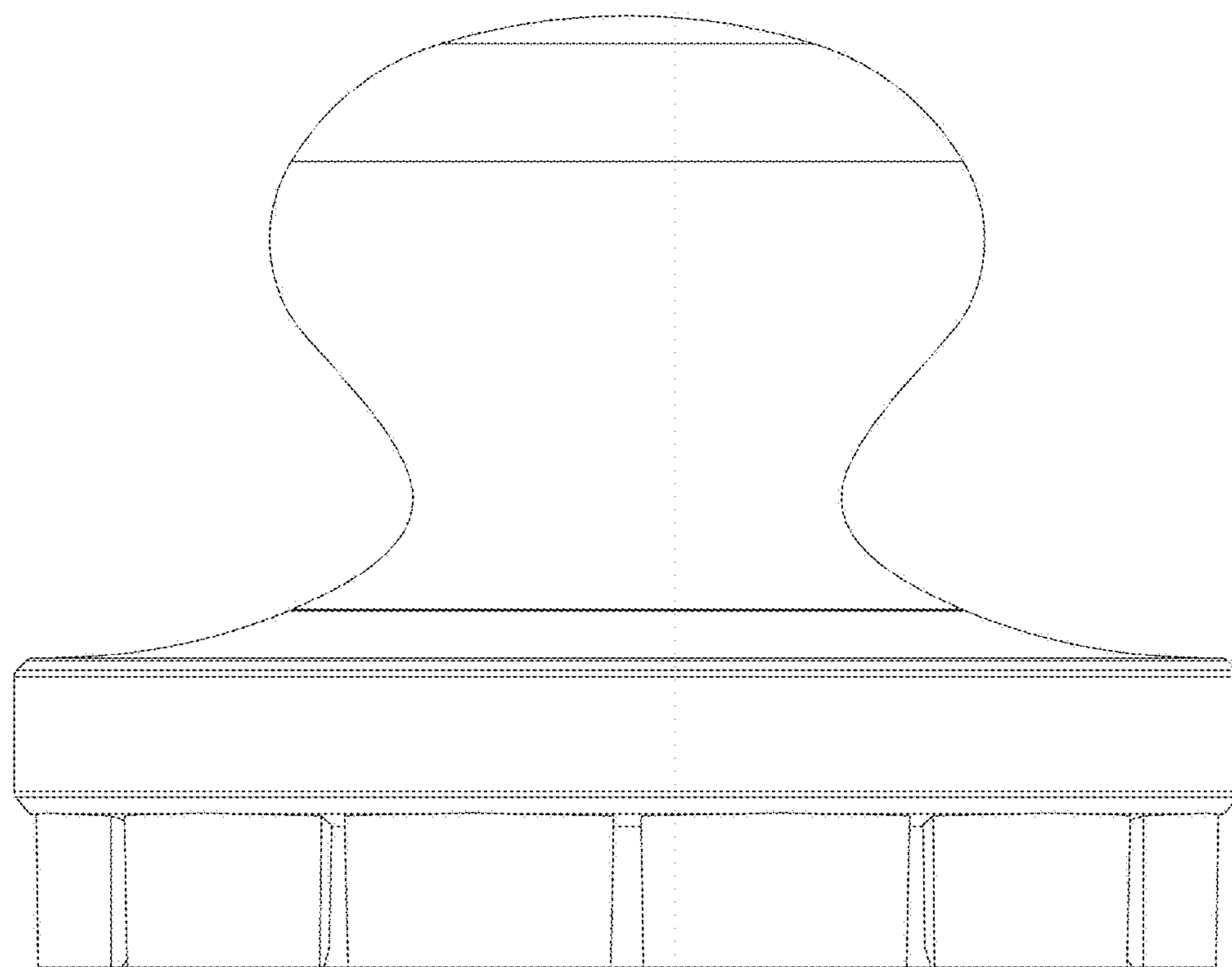


FIG. 4

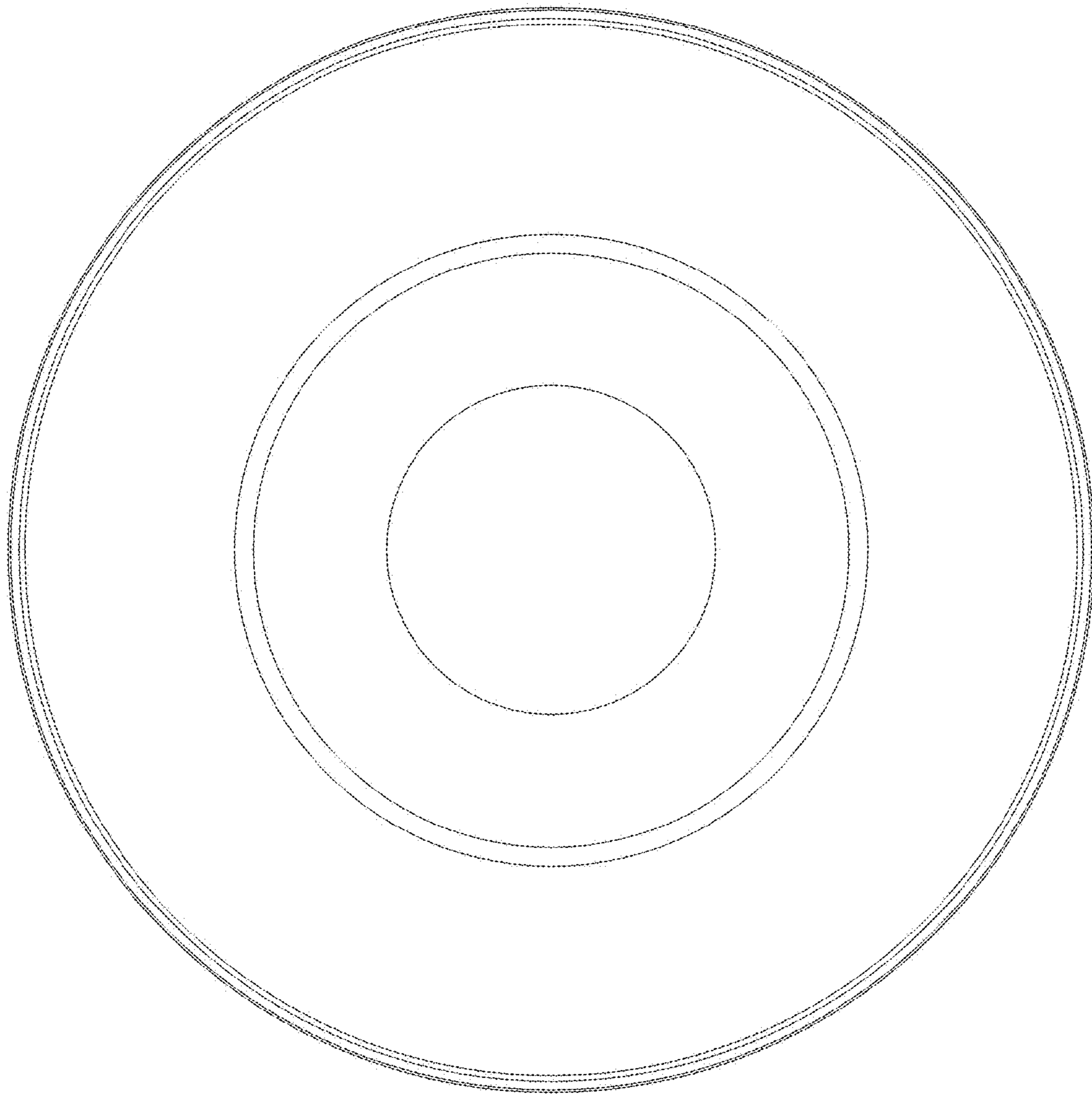


FIG. 5

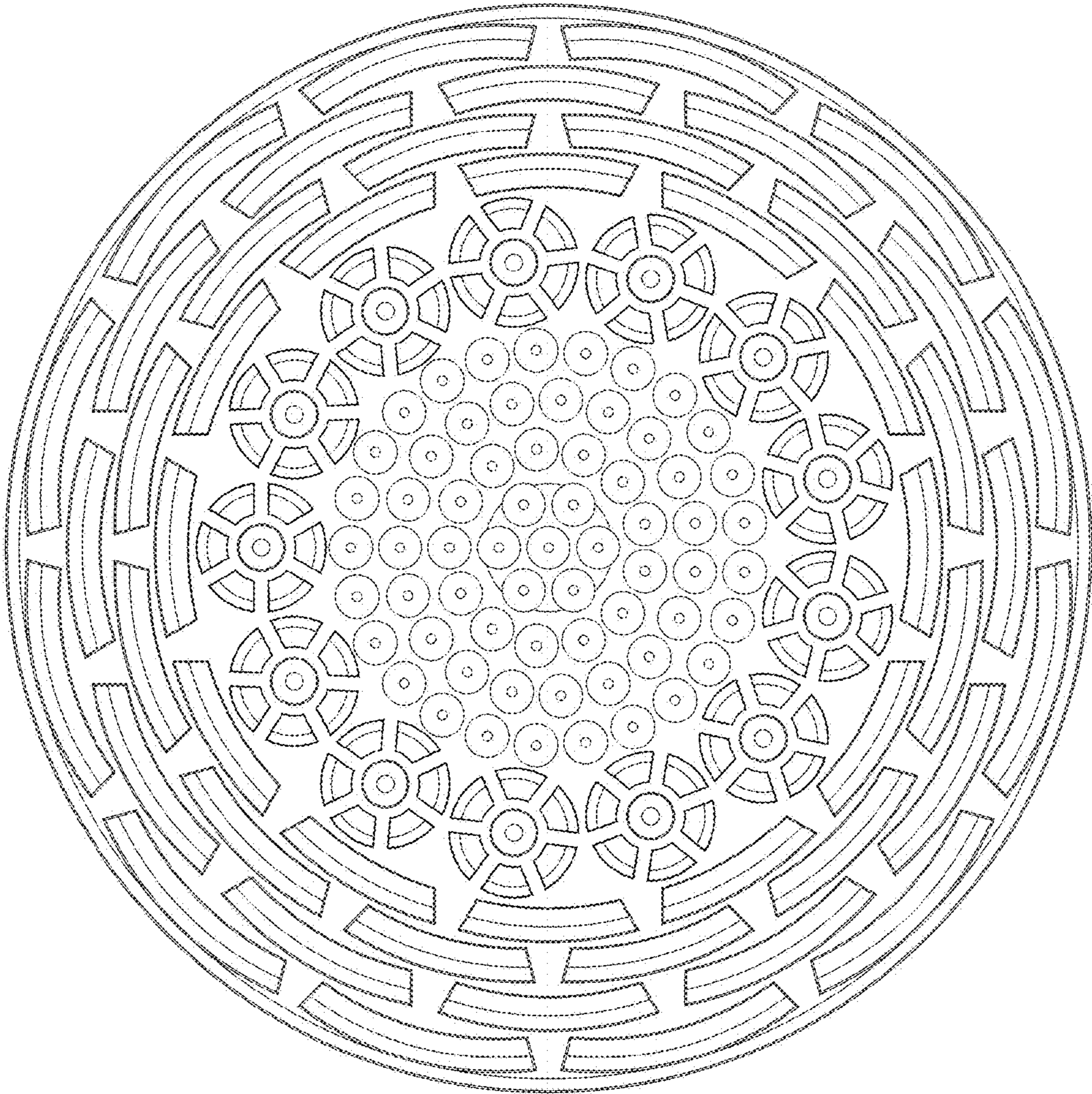


FIG. 6

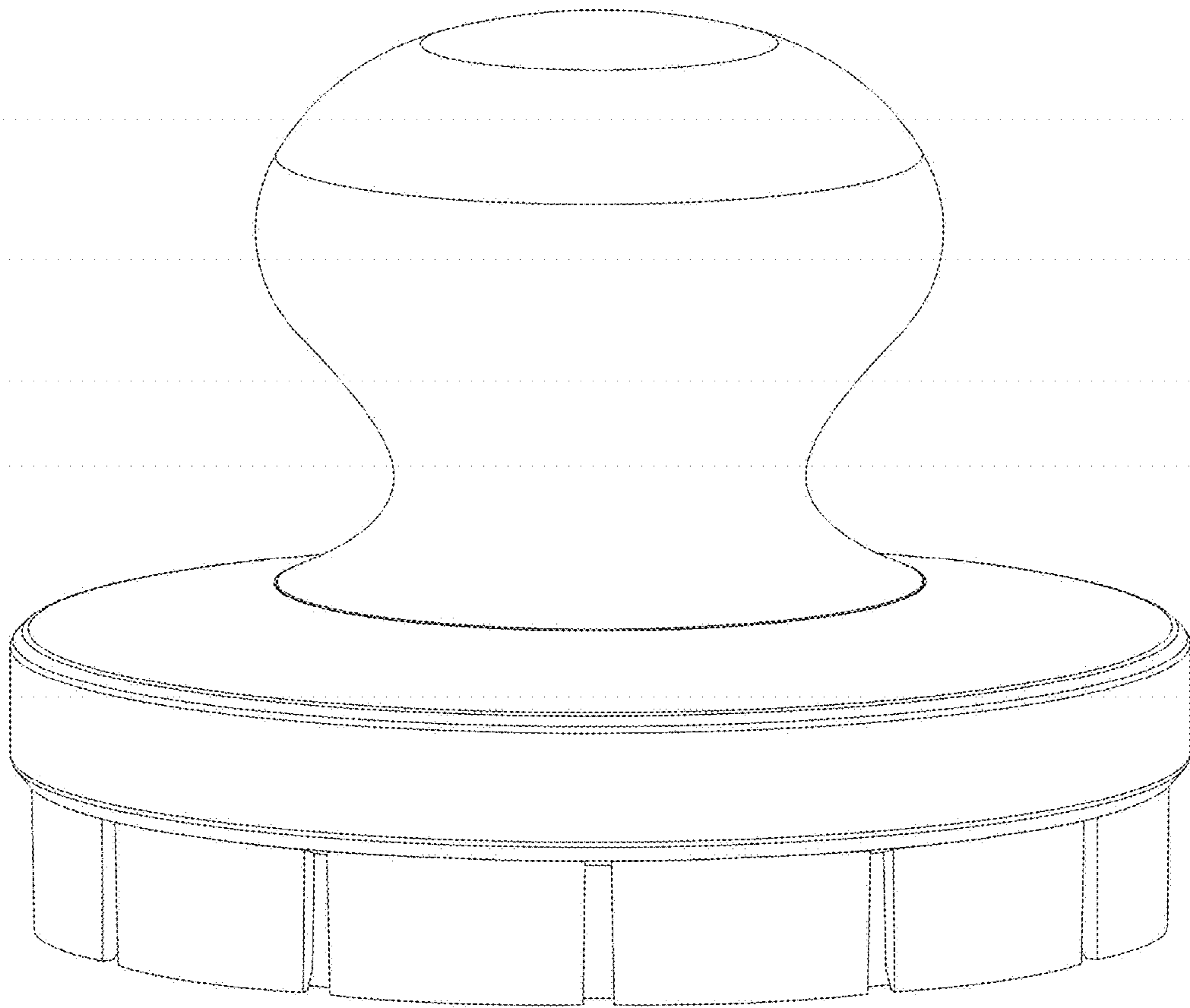


FIG. 7

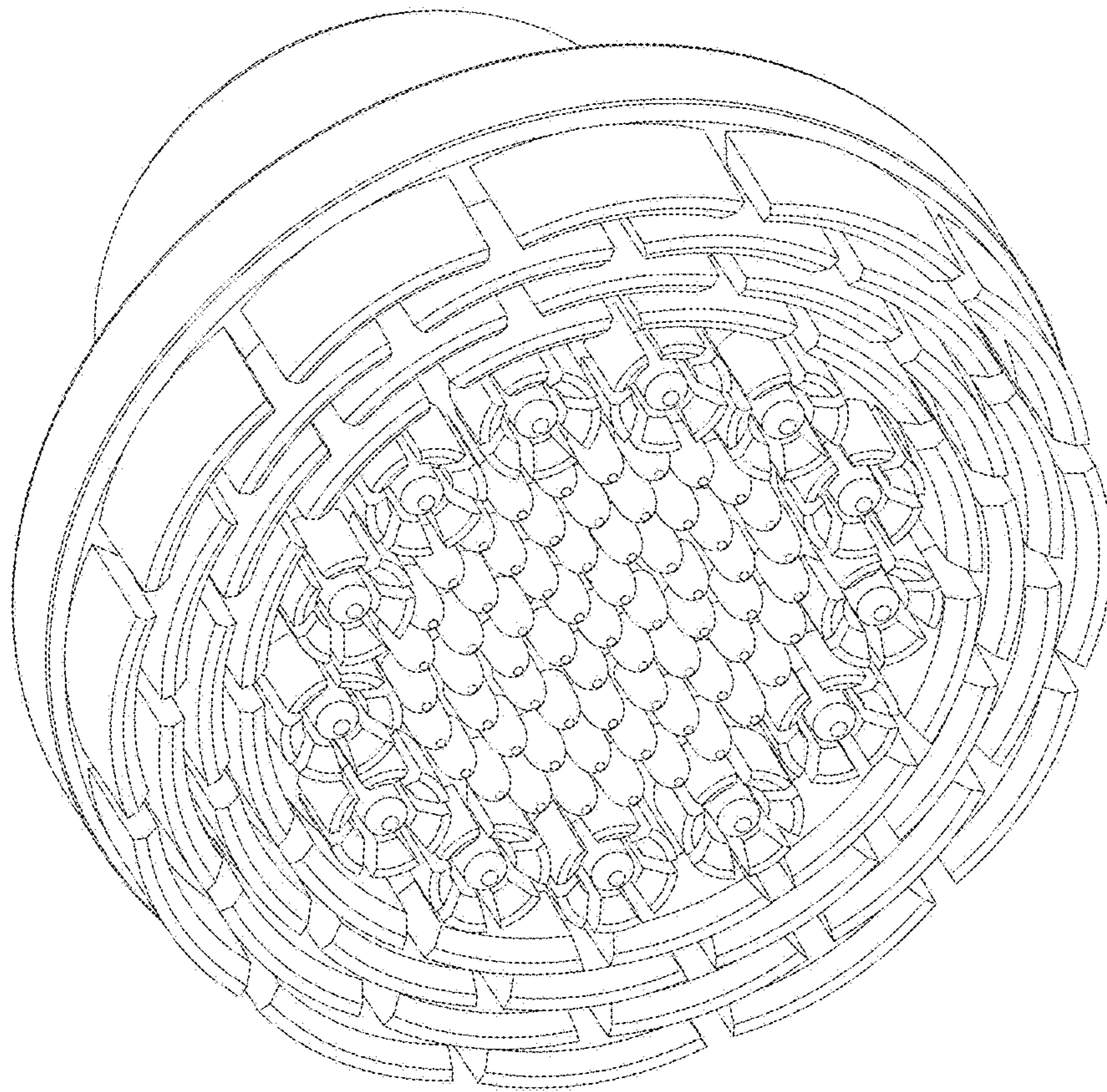


FIG. 8