



US00D784023S

(12) **United States Design Patent** (10) **Patent No.:** **US D784,023 S**  
**Huang** (45) **Date of Patent:** **\*\* Apr. 18, 2017**

(54) <b>NAIL POLISH APPLICATOR</b>	4,961,664 A * 10/1990 Simper ..... A46B 11/00 401/112
(71) Applicant: <b>Tao-Chen Huang</b> , Changhua (TW)	D331,697 S * 12/1992 Desgrippes ..... D4/116
(72) Inventor: <b>Tao-Chen Huang</b> , Changhua (TW)	D333,573 S * 3/1993 Kamen ..... D28/7
(73) Assignee: <b>Victoria Cosmetic Co. Ltd.</b> , Changhua (TW)	D363,375 S * 10/1995 Arntsen ..... D28/77
(**) Term: <b>14 Years</b>	6,065,477 A * 5/2000 Doo ..... A45D 34/04 132/73
(21) Appl. No.: <b>29/479,249</b>	D426,068 S * 6/2000 An ..... D4/116
(22) Filed: <b>Jan. 14, 2014</b>	D460,862 S * 7/2002 An ..... D4/116
(30) <b>Foreign Application Priority Data</b>	2003/0152410 A1 * 8/2003 Huang ..... A45D 40/24 401/19
Nov. 21, 2013 (GB) ..... 4032958	2004/0175224 A1 * 9/2004 Hermansen ..... A45D 34/045 401/126
(51) <b>LOC (10) Cl.</b> ..... <b>04-02</b>	2009/0032046 A1 * 2/2009 Gueret ..... A45D 40/267 132/200
(52) <b>U.S. Cl.</b> ..... <b>D4/116</b>	
(58) <b>Field of Classification Search</b>	
USPC ..... D1/106, 199; D4/106, 110, 114, 116, D4/118, 119, 120, 127, 128, 138, 199; D9/689, 719, 723; D19/100, 108, 115, D19/125; D28/75, 76, 77, 89; D30/158, D30/159	
CPC ..... A46B 5/00; A46B 11/00; A46B 11/0003; A46B 11/0006; A46B 11/0013; A46B 15/0055; A46B 15/0061; A46B 2200/20; A46B 2200/104; A46B 2200/202; A46B 2200/1046; A46B 2200/1086; A46B 2200/1093	
See application file for complete search history.	

(Continued)

*Primary Examiner* — Susan E Krakower  
*Assistant Examiner* — Lisa A Grabenstetter  
(74) *Attorney, Agent, or Firm* — Che-Yang Chen; Law  
Offices of Scott Warmuth

(57) **CLAIM**

The ornamental design for a nail polish applicator, as shown and described.

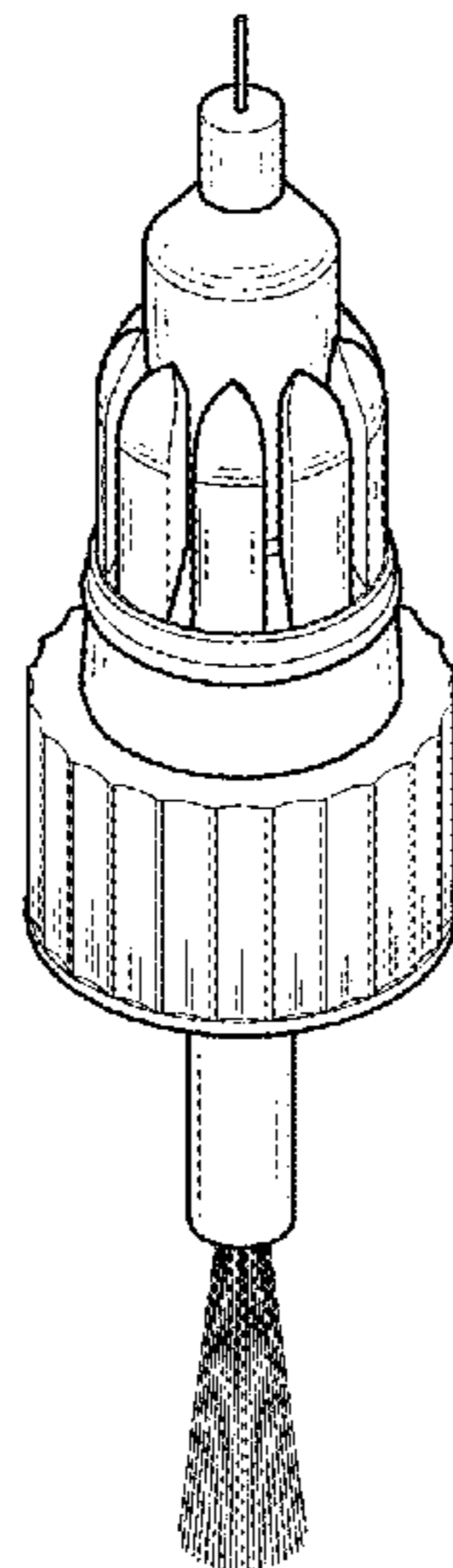
**DESCRIPTION**

FIG. 1 is a perspective view of a nail polish applicator showing my new design;  
FIG. 2 is a front elevational view thereof;  
FIG. 3 is a rear elevational view thereof;  
FIG. 4 is a left side elevational view thereof;  
FIG. 5 is a right side elevational view thereof;  
FIG. 6 is a top plan view thereof, shown in enlarged scale; and,  
FIG. 7 is a bottom plan view thereof, shown in an enlarged scale.  
The broken line portions of FIG. 7 are included to shown unclaimed subject matter only and form no part of the claimed design.

**1 Claim, 4 Drawing Sheets**

(56) **References Cited**  
U.S. PATENT DOCUMENTS

D238,212 S \* 12/1975 Kingsford ..... D28/7  
D277,035 S \* 1/1985 Cassai ..... D28/7



(56)

**References Cited**

U.S. PATENT DOCUMENTS

2012/0027497 A1\* 2/2012 Huang ..... A46B 9/021  
401/16

\* cited by examiner

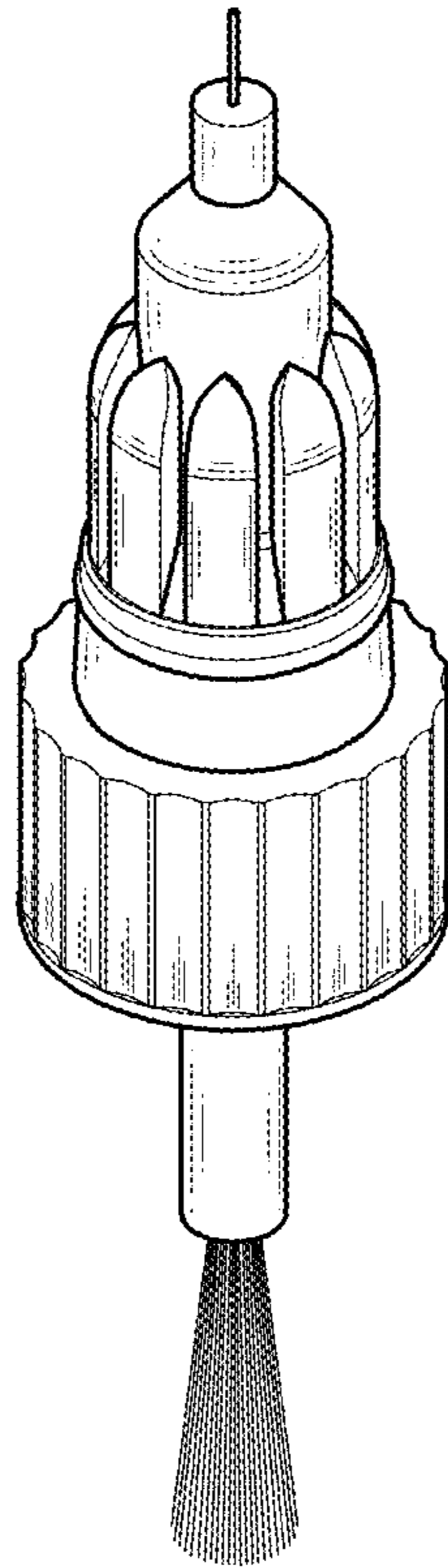


FIG. 1

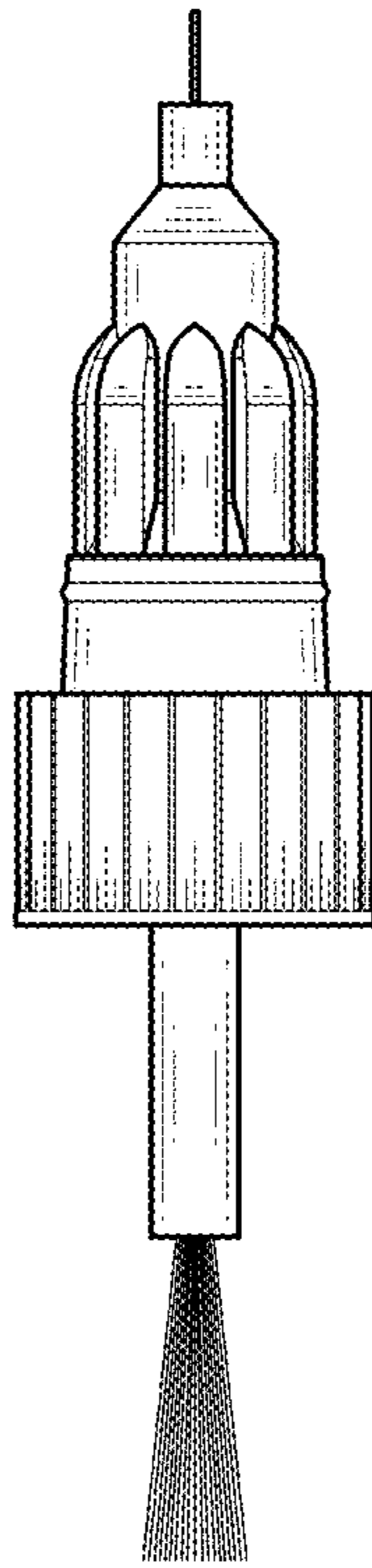


FIG. 2

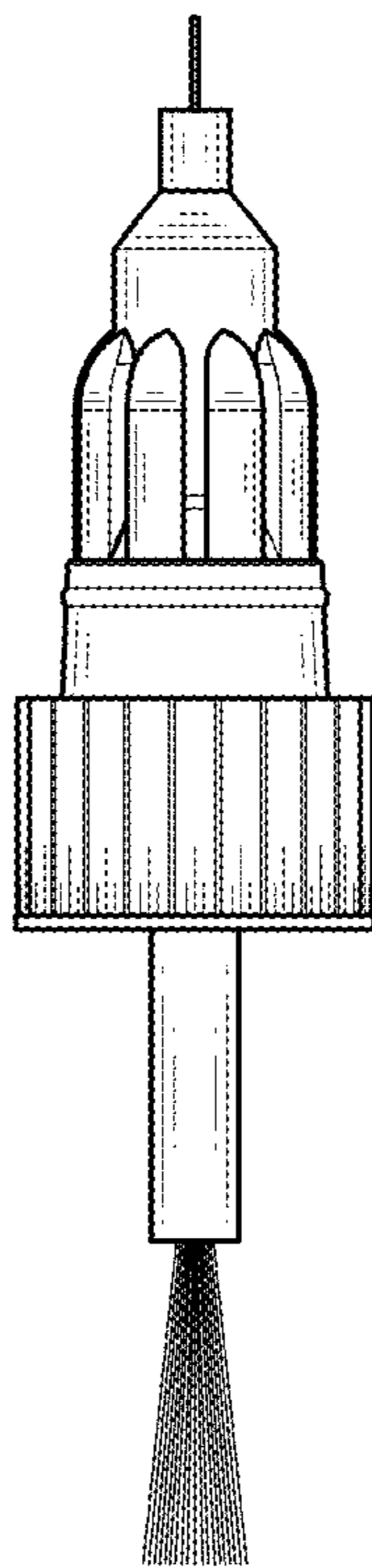


FIG. 3

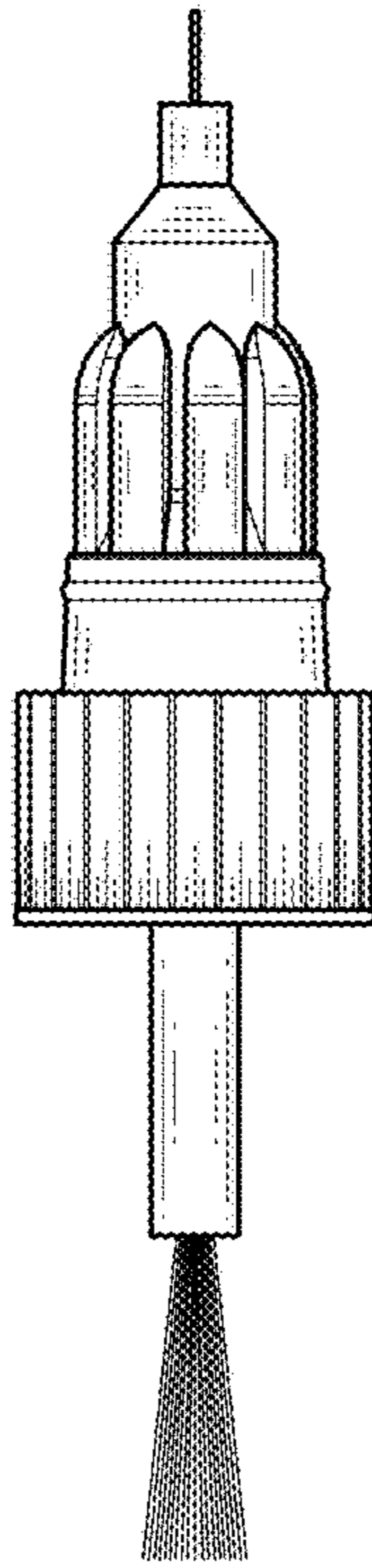


FIG.4

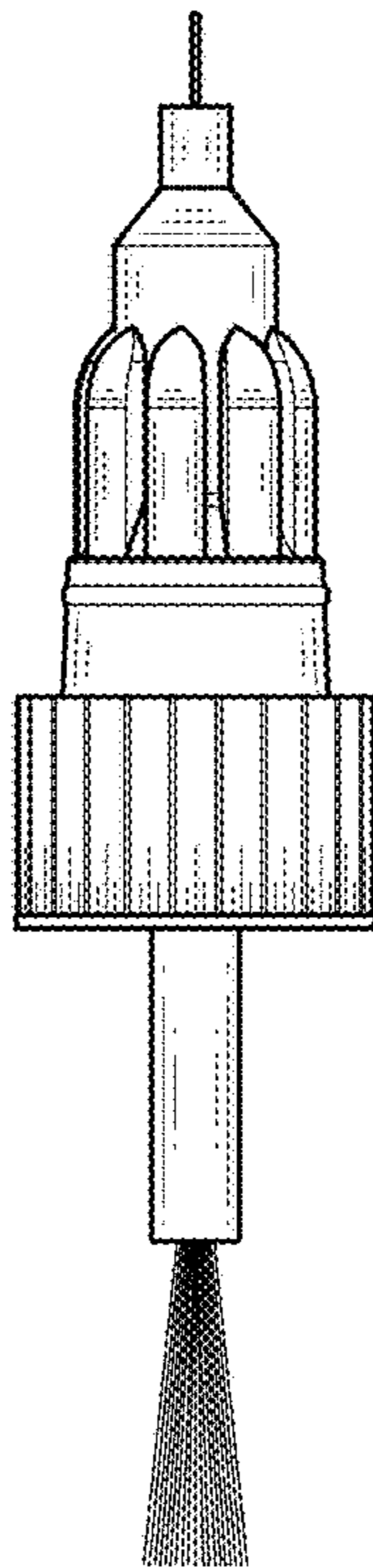


FIG.5

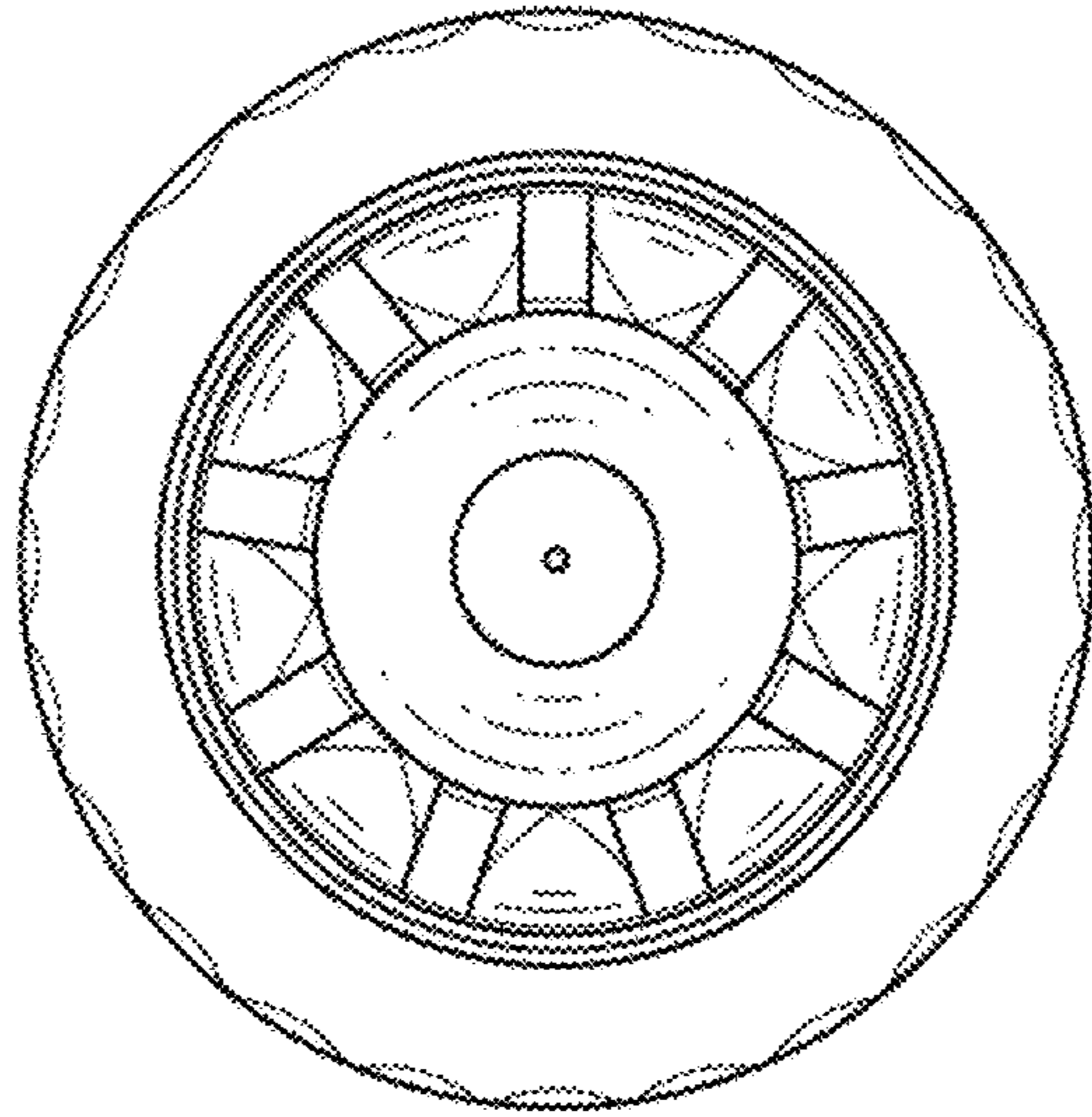


FIG. 6

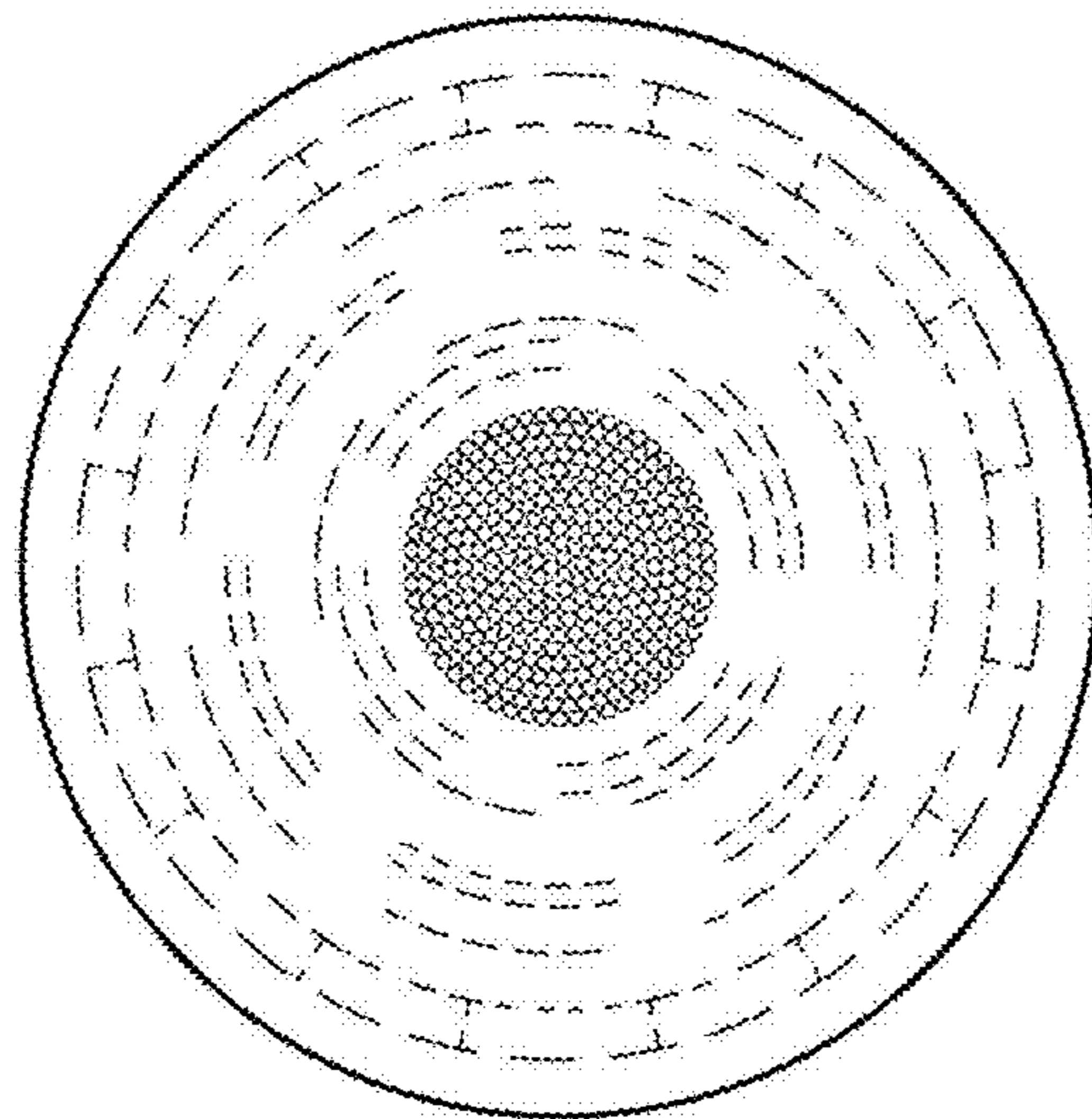


FIG. 7