



US00D784018S

(12) **United States Design Patent**  
**Shamp et al.**

(10) **Patent No.:** **US D784,018 S**  
(45) **Date of Patent:** **\*\* Apr. 18, 2017**

- (54) **BIN**
- (71) Applicant: **AKRO-MILS, a division of Myers Industries, Inc., Akron, OH (US)**
- (72) Inventors: **Travis D. Shamp, Akron, OH (US); Christopher J. Clark, Akron, OH (US); Michael Weisburn, Massillon, OH (US)**
- (73) Assignee: **Akro-Mills, a division of Myers Industries, Inc., Akron, OH (US)**
- (\*\*) Term: **15 Years**
- (21) Appl. No.: **29/554,977**
- (22) Filed: **Feb. 17, 2016**
- (51) **LOC (10) Cl.** ..... **03-01**
- (52) **U.S. Cl.**  
USPC ..... **D3/304**
- (58) **Field of Classification Search**  
USPC ..... D3/304, 307-314, 315; D9/432, 741;  
D19/75, 77; 206/371-373, 504;  
211/10-11, 13.1, 45, 50, 55, 126.9;  
D6/512, 515, 569  
CPC ..... A45C 13/083; A47F 1/04; B65D 71/0003;  
B65D 2543/00222; B65D 2543/00296  
See application file for complete search history.

(56) **References Cited**

**U.S. PATENT DOCUMENTS**

- 1,862,609 A \* 6/1932 Shaw ..... B65D 21/0213  
206/509
- 2,677,483 A \* 5/1954 Shaw ..... A47B 88/06  
15/DIG. 9
- 3,113,680 A \* 12/1963 Frater ..... B65D 21/048  
206/507
- 3,252,614 A \* 5/1966 Evans ..... B65D 21/0212  
108/152

- D205,866 S \* 9/1966 Asenbauer ..... D3/304
- 3,478,892 A \* 11/1969 Lockwood ..... A47B 87/00  
108/91
- 3,534,866 A \* 10/1970 Asenbauer ..... A47B 87/0269  
206/507
- D242,659 S \* 12/1976 Clipson ..... D3/307
- 4,015,713 A \* 4/1977 Clipson et al.
- D245,716 S \* 9/1977 Russo ..... D12/416
- 4,291,804 A \* 9/1981 Weidt
- D272,576 S \* 2/1984 Klein ..... D3/304
- D274,012 S \* 5/1984 Williams
- D282,883 S \* 3/1986 Kiiski
- D301,927 S \* 6/1989 Williams
- D309,970 S \* 8/1990 Embree ..... D3/304
- D311,799 S \* 10/1990 Embree ..... D3/294
- D326,945 S \* 6/1992 Howitt
- D327,560 S \* 6/1992 Hradisky ..... D3/307
- D327,561 S \* 6/1992 Hradisky ..... D3/307
- D327,971 S \* 7/1992 Cugley ..... D3/304
- 5,147,044 A \* 9/1992 DiSesa, Jr. .... B65D 21/064  
206/501
- D361,664 S \* 8/1995 Brown ..... D3/315
- 5,445,397 A \* 8/1995 Evans ..... B62B 1/10  
206/505

(Continued)

*Primary Examiner* — Kelley Donnelly

(74) *Attorney, Agent, or Firm* — Dureska & Moore, LLC;  
Brent L. Moore; David P. Dureska

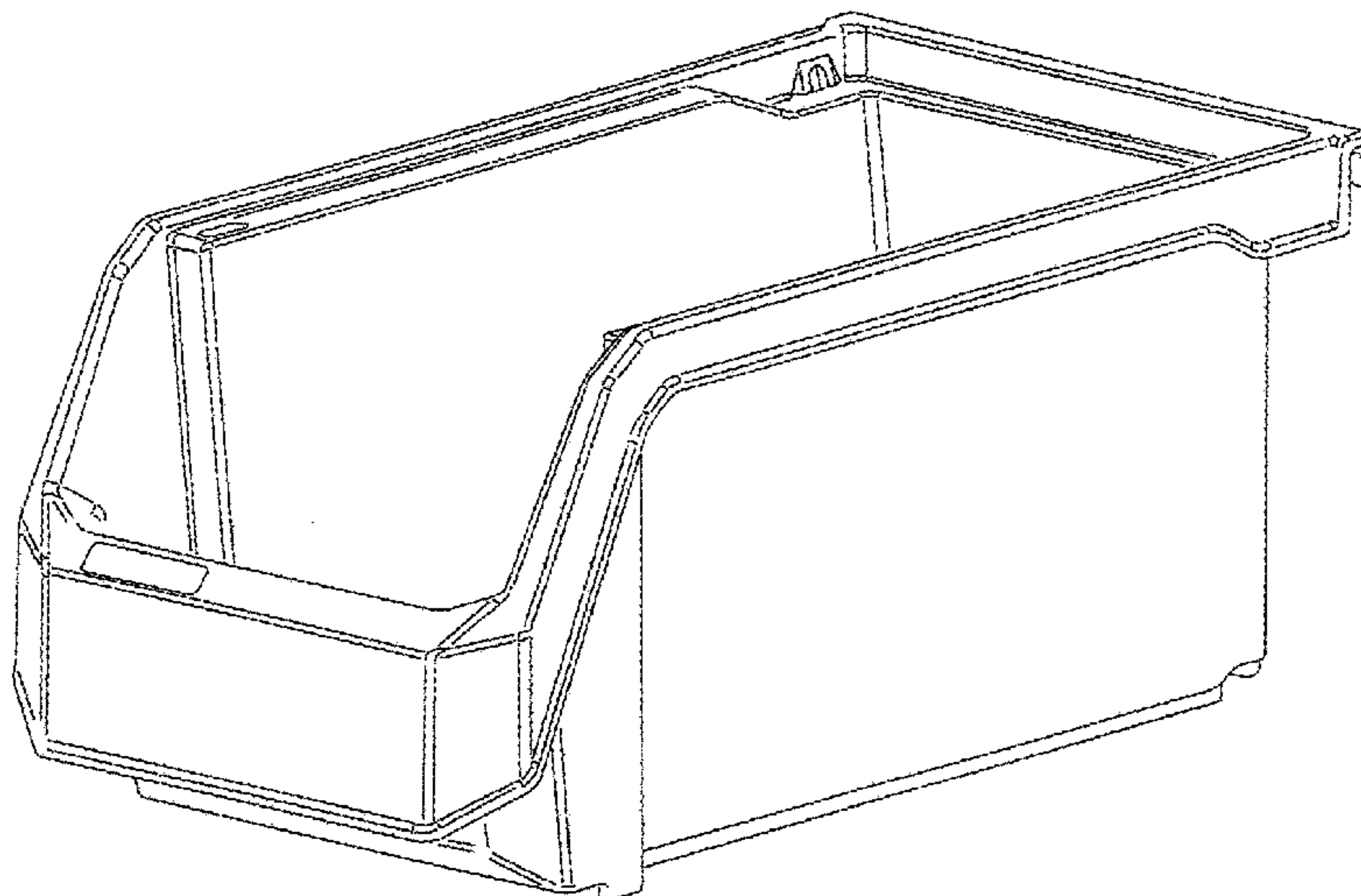
(57) **CLAIM**

We claim the ornamental design for a bin, as shown and described.

**DESCRIPTION**

FIG. 1 is a perspective view of the bin;  
FIG. 2 is a left-side elevational view thereof, the right-side being the same in appearance;  
FIG. 3 is a rear elevational view thereof;  
FIG. 4 is a top plan view thereof;  
FIG. 5 is a bottom plan view thereof; and,  
FIG. 6 is a front elevational view thereof.

**1 Claim, 6 Drawing Sheets**



(56)

References Cited

U.S. PATENT DOCUMENTS

D364,524	S *	11/1995	Bassler .....	D6/567
D429,882	S *	8/2000	Lee .....	D3/294
D448,567	S *	10/2001	Buss .....	D3/304
D467,732	S *	12/2002	Taylor .....	D3/304
D515,313	S *	2/2006	Uffner .....	D3/273
D517,319	S	3/2006	Wisnoski et al.	
D547,973	S	8/2007	Brown et al.	
D583,562	S	12/2008	Ghiorghie	
D606,314	S *	12/2009	Neilsen .....	D3/313
D615,300	S	5/2010	Brown et al.	
D621,619	S	8/2010	Ripoll	
7,789,238	B2 *	9/2010	Claypool .....	A47F 3/145 206/508
D626,747	S	11/2010	Brown et al.	
D630,852	S	1/2011	Kobilarcik et al.	
D635,770	S	4/2011	Kobilarcik et al.	
D636,601	S	4/2011	Brown et al.	
D639,560	S	6/2011	Brown et al.	
D674,623	S *	1/2013	Erickson .....	D6/683.1
8,342,329	B2	1/2013	Kobilarcik et al.	
D683,962	S	6/2013	Brunner	
D731,185	S *	6/2015	Hsu .....	D3/304
D745,781	S *	12/2015	Hsu .....	D3/304
D762,065	S *	7/2016	Hsu .....	D3/304
D762,387	S *	8/2016	Green .....	D3/304
2009/0178989	A1 *	7/2009	Accuardi .....	A47B 87/0269 211/126.7
2012/0074024	A1	3/2012	Kobilarcik et al.	

\* cited by examiner

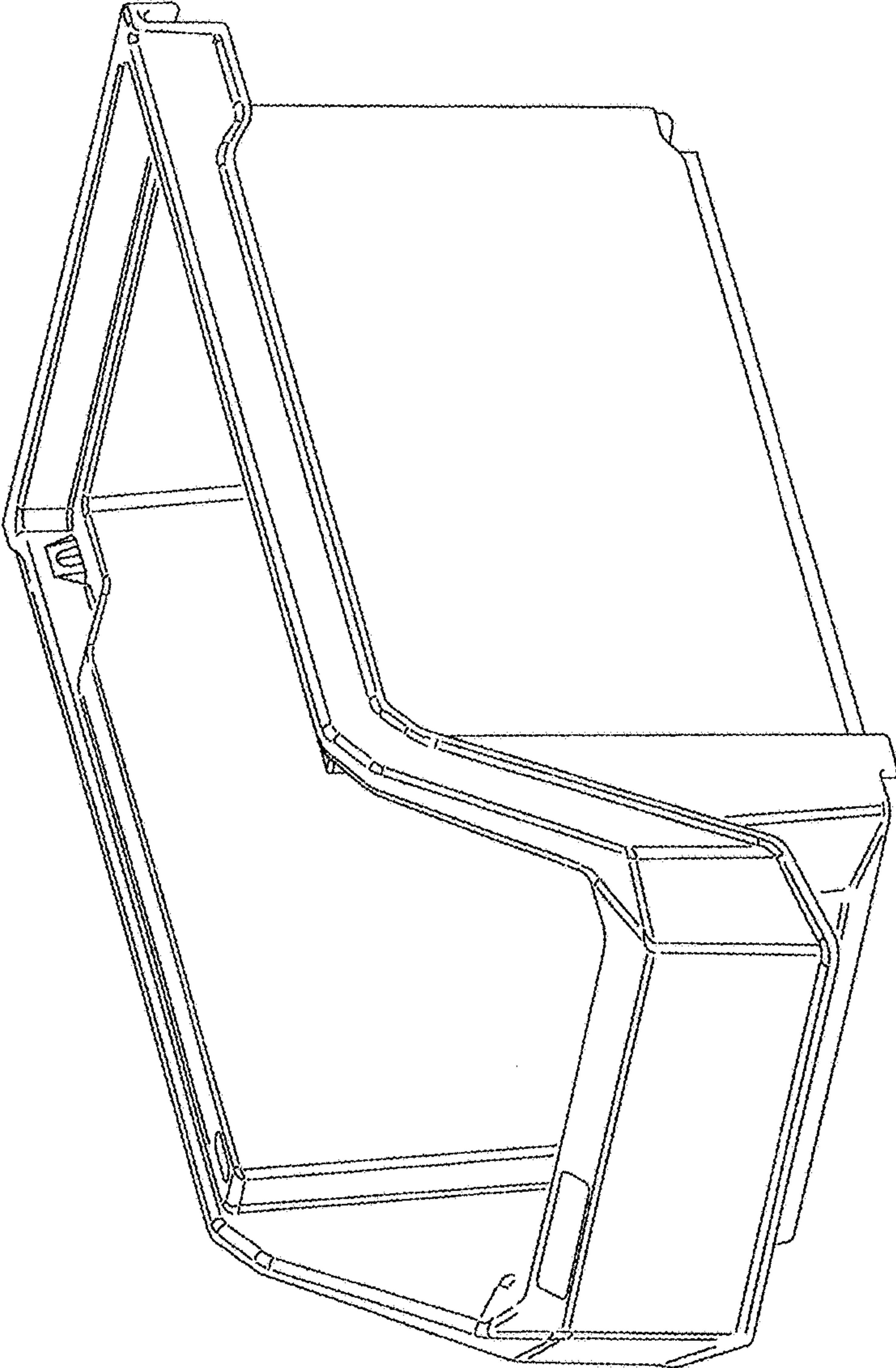


FIG. 1

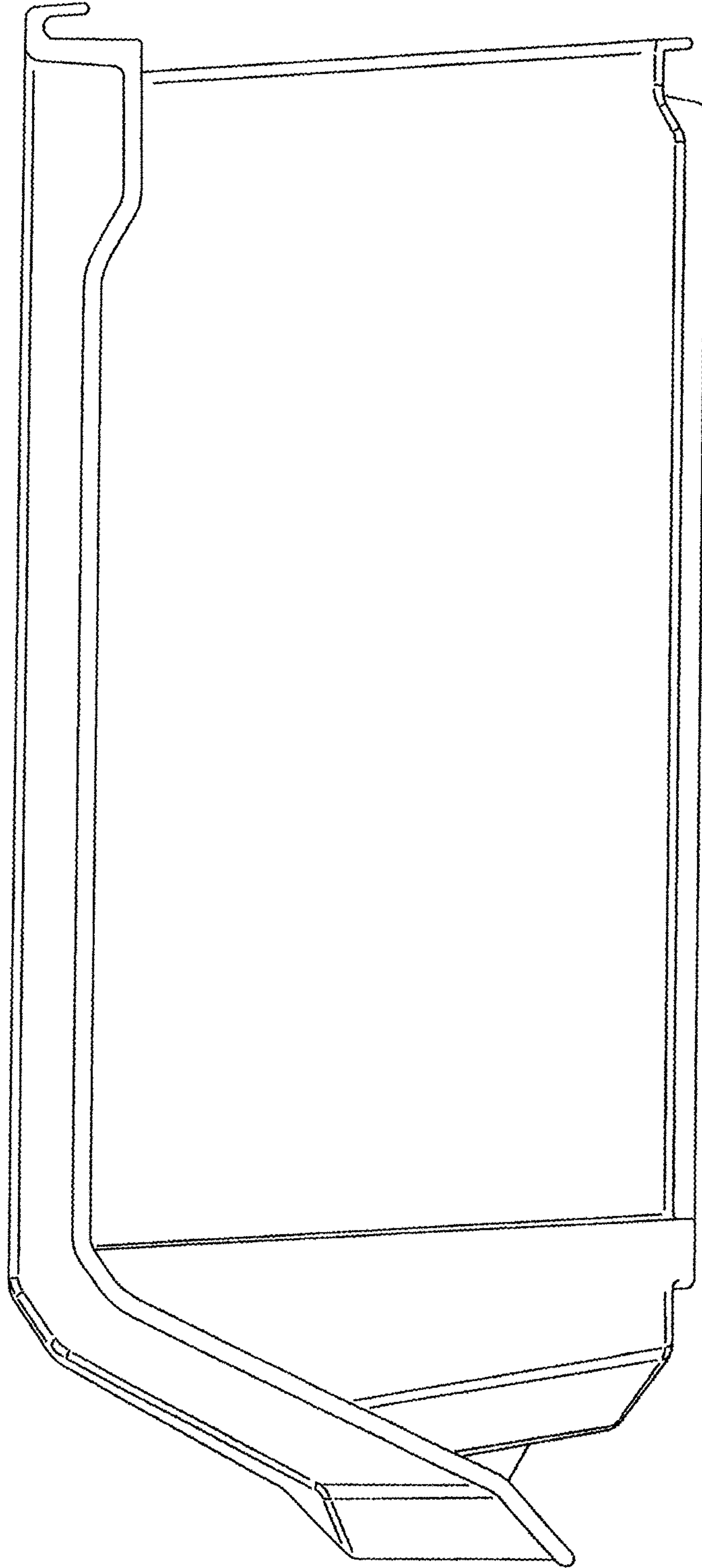


FIG. 2

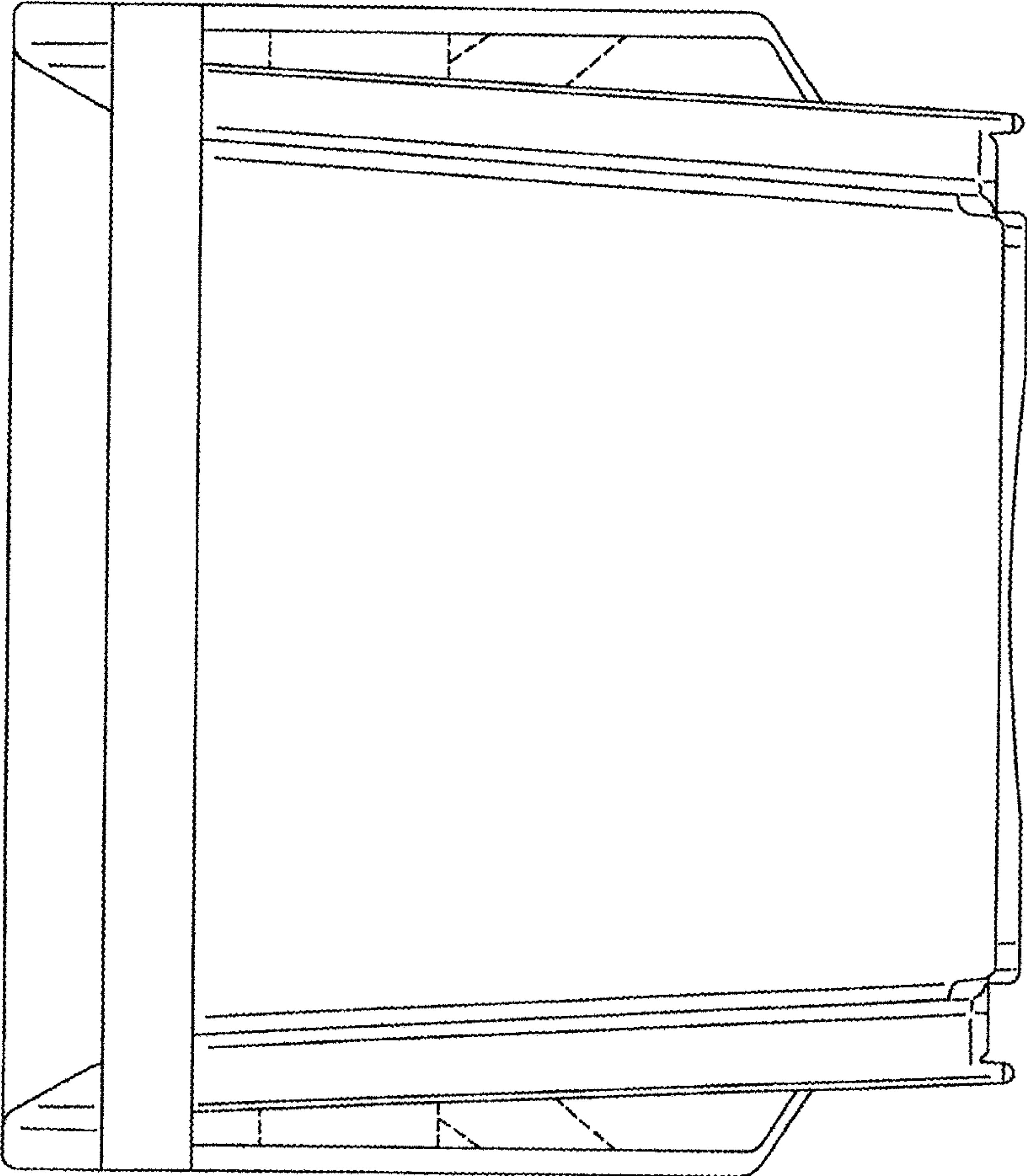


FIG. 3



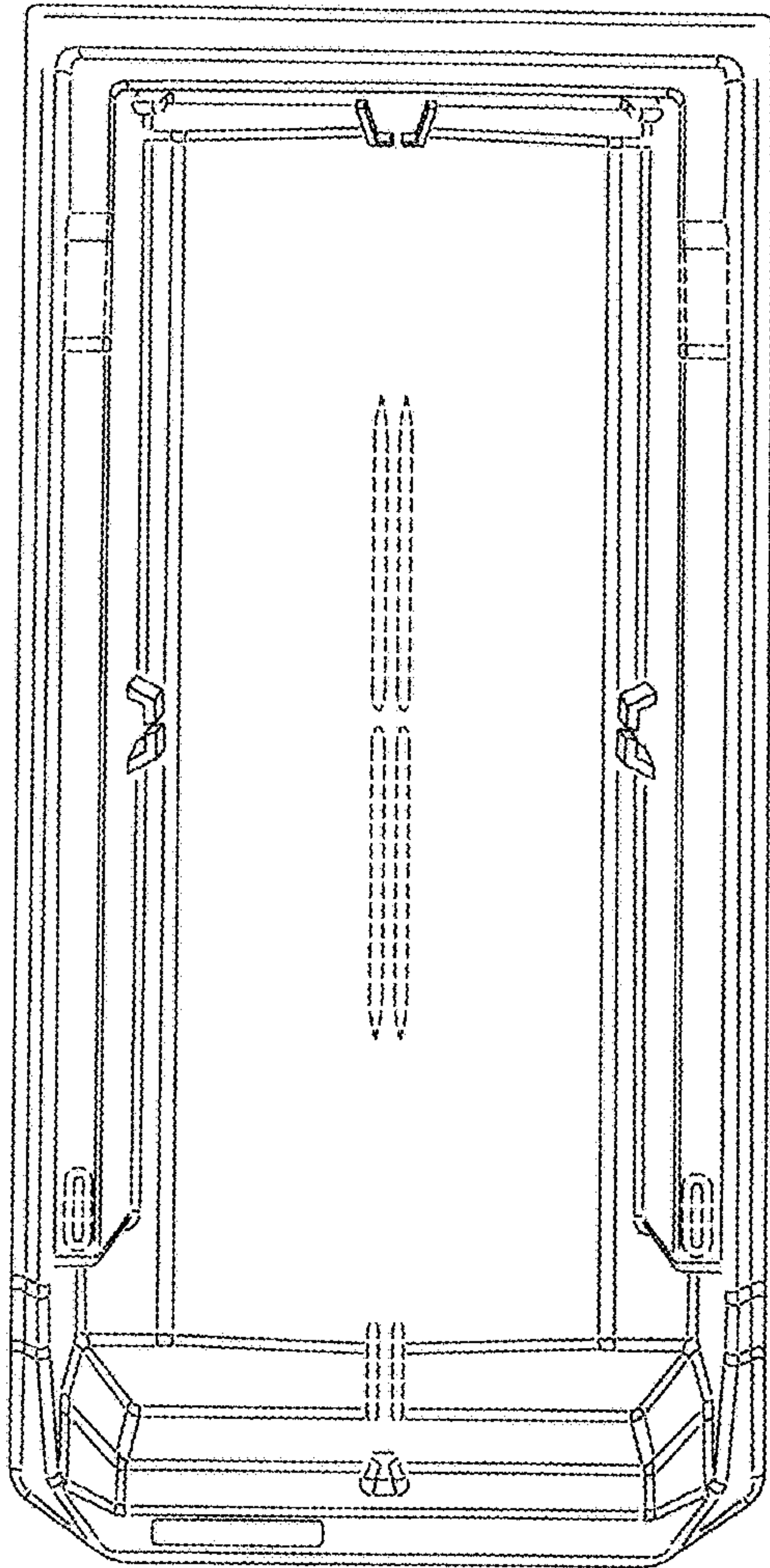


FIG. 4

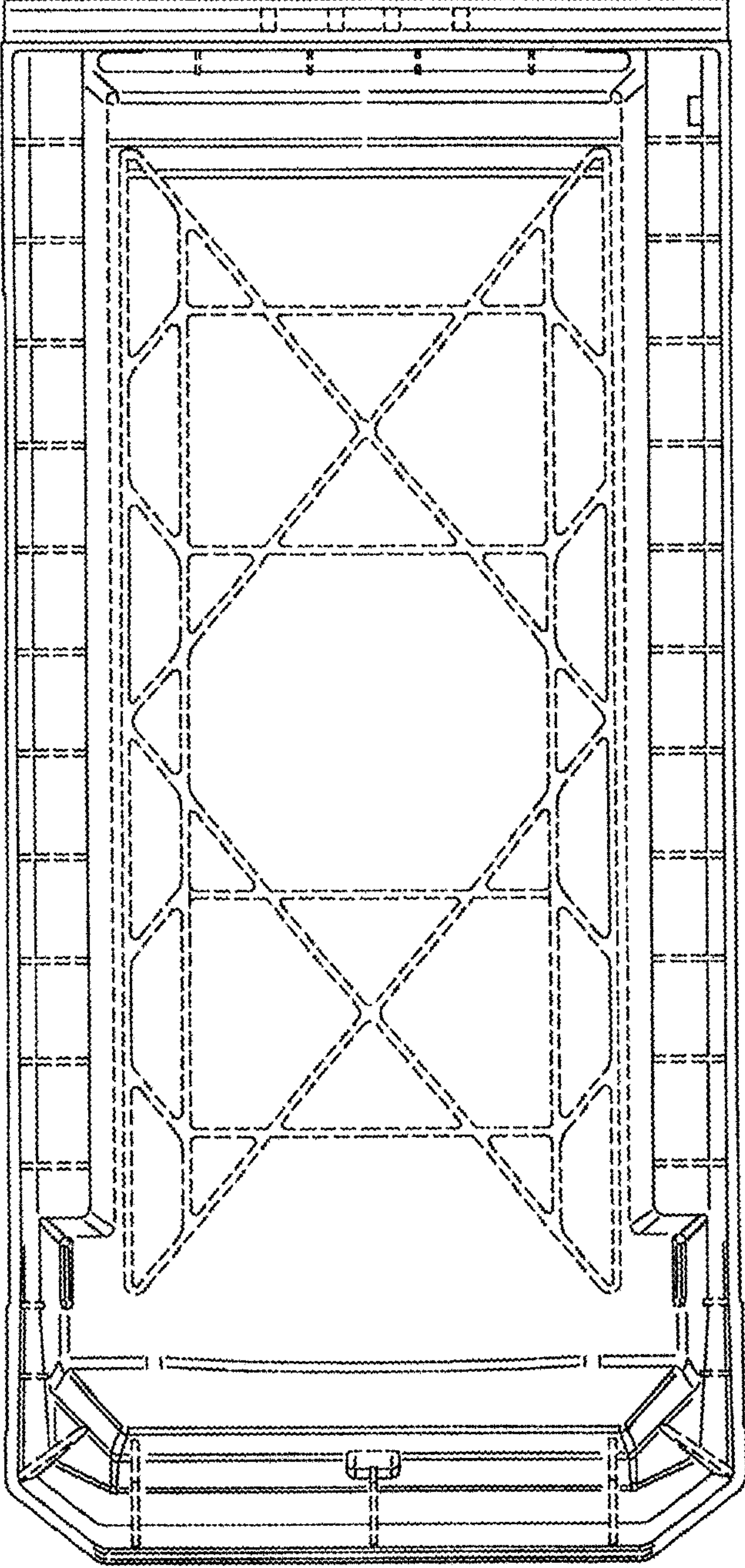


FIG. 5

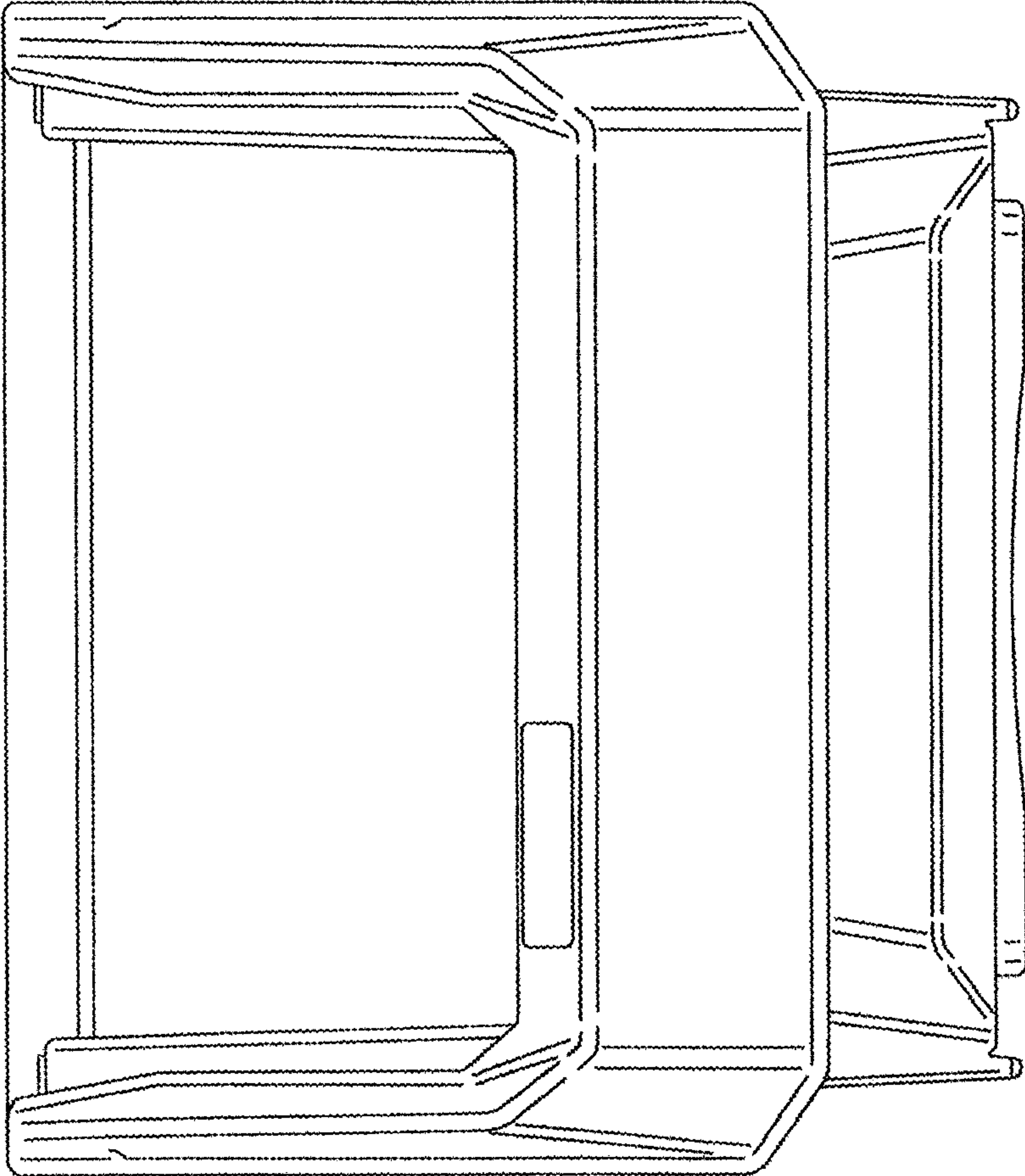


FIG. 6