



US00D784017S

(12) **United States Design Patent**
Hsieh

(10) **Patent No.:** **US D784,017 S**

(45) **Date of Patent:** **** Apr. 18, 2017**

- (54) **SUITCASE**
- (71) Applicant: **EMINENT LUGGAGE CORP.**,
Tainan (TW)
- (72) Inventor: **Dick M. Hsieh**, Tainan (TW)
- (73) Assignee: **EMINENT LUGGAGE CORP.**,
Tainan (TW)
- (**) Term: **15 Years**
- (21) Appl. No.: **29/561,174**
- (22) Filed: **Apr. 14, 2016**
- (51) **LOC (10) Cl.** **03-01**
- (52) **U.S. Cl.**
USPC **D3/279**
- (58) **Field of Classification Search**
USPC D3/273, 276, 279, 281, 282, 289, 283
CPC A45C 5/00; A45C 5/03; A45C 2005/037;
A45C 2005/032; A45C 5/14
See application file for complete search history.

D675,017 S *	1/2013	Van Overbeke	D3/273
D677,050 S *	3/2013	Saba	D3/276
D714,057 S *	9/2014	Hou	D3/279
D728,236 S *	5/2015	Virassamy	D3/264
9,060,577 B2 *	6/2015	Farrelly	A45C 5/03
D765,972 S *	9/2016	Daniel	D3/274
2014/0284157 A1 *	9/2014	Sheikh	A45C 7/0027 190/103

* cited by examiner

Primary Examiner — Jennifer Rivard

Assistant Examiner — April Rivas

(74) *Attorney, Agent, or Firm* — Burris Law, PLLC

(57) **CLAIM**

The ornamental design for a suitcase, as shown and described.

DESCRIPTION

FIG. 1 is a perspective view of a suitcase showing my new design;
 FIG. 2 is a front elevational view thereof;
 FIG. 3 is a rear elevational view thereof;
 FIG. 4 is a left side elevational view thereof;
 FIG. 5 is a right side elevational view thereof;
 FIG. 6 is a top plan view thereof; and,
 FIG. 7 is a bottom plan view thereof.

1 Claim, 6 Drawing Sheets

- (56) **References Cited**
U.S. PATENT DOCUMENTS
- D428,698 S * 8/2000 Cheng D3/276
- D434,224 S * 11/2000 Tiramani D3/276
- D462,169 S * 9/2002 Giovanni D3/279
- D525,031 S * 7/2006 Miles D3/279

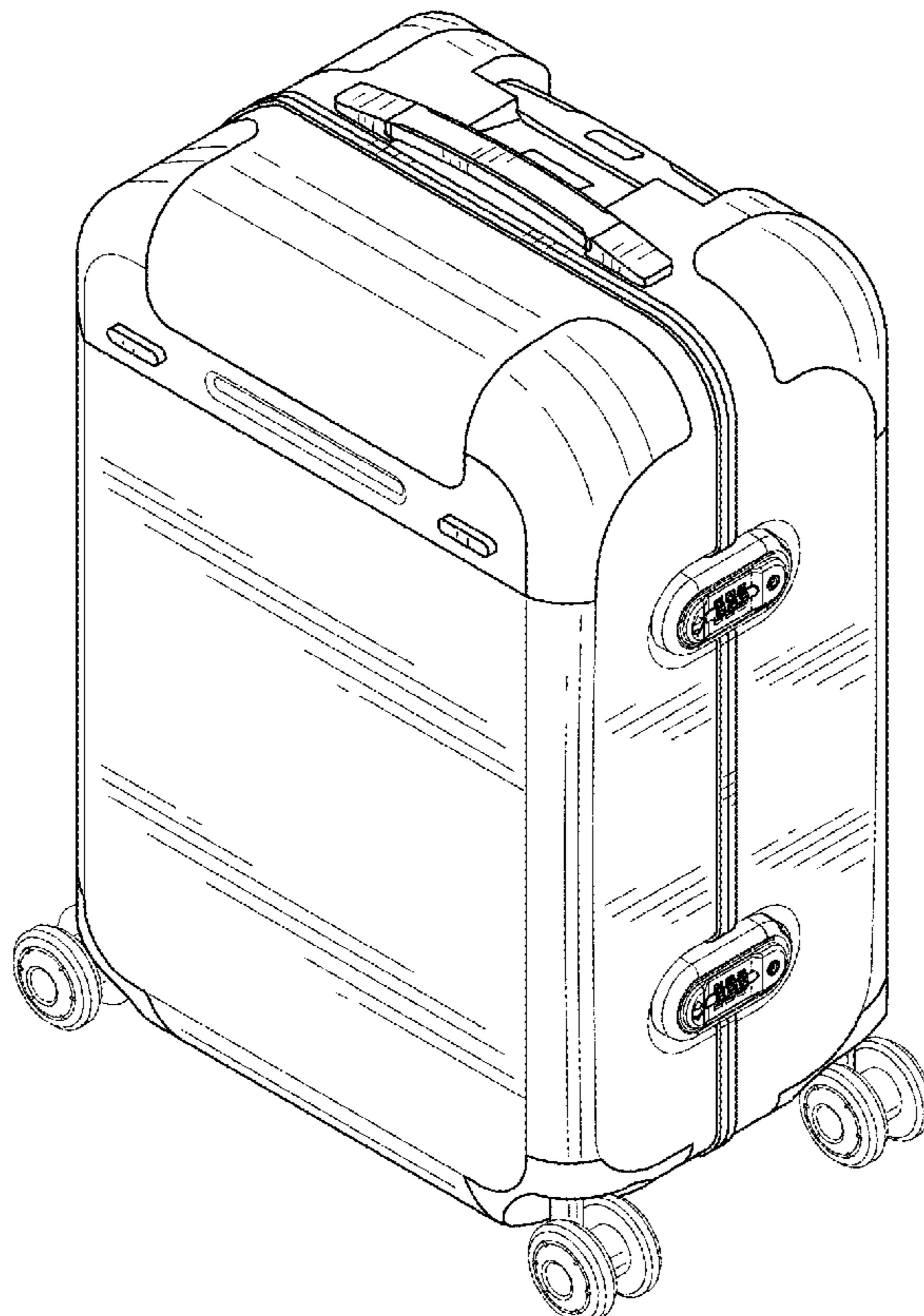




FIG. 1

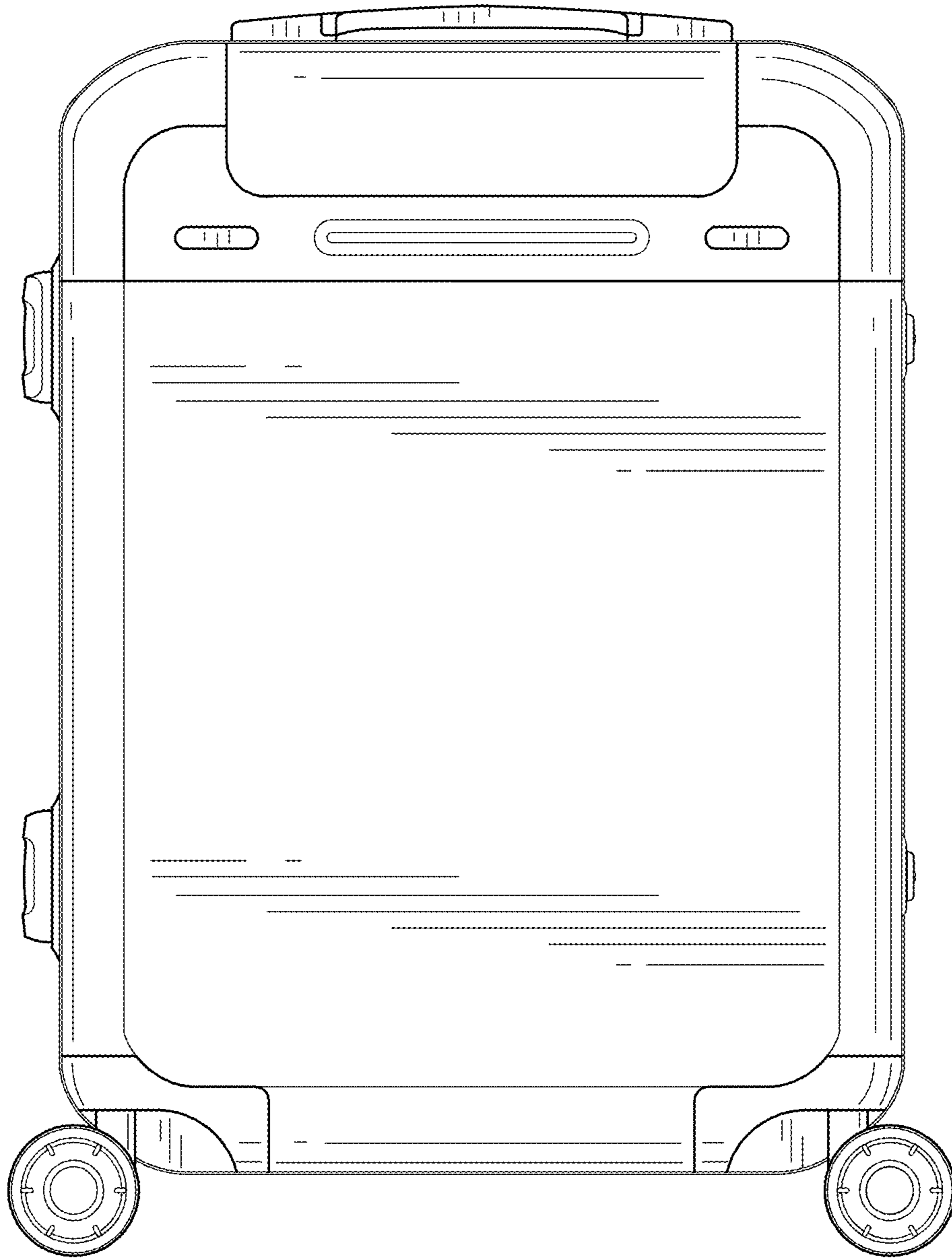


FIG.2

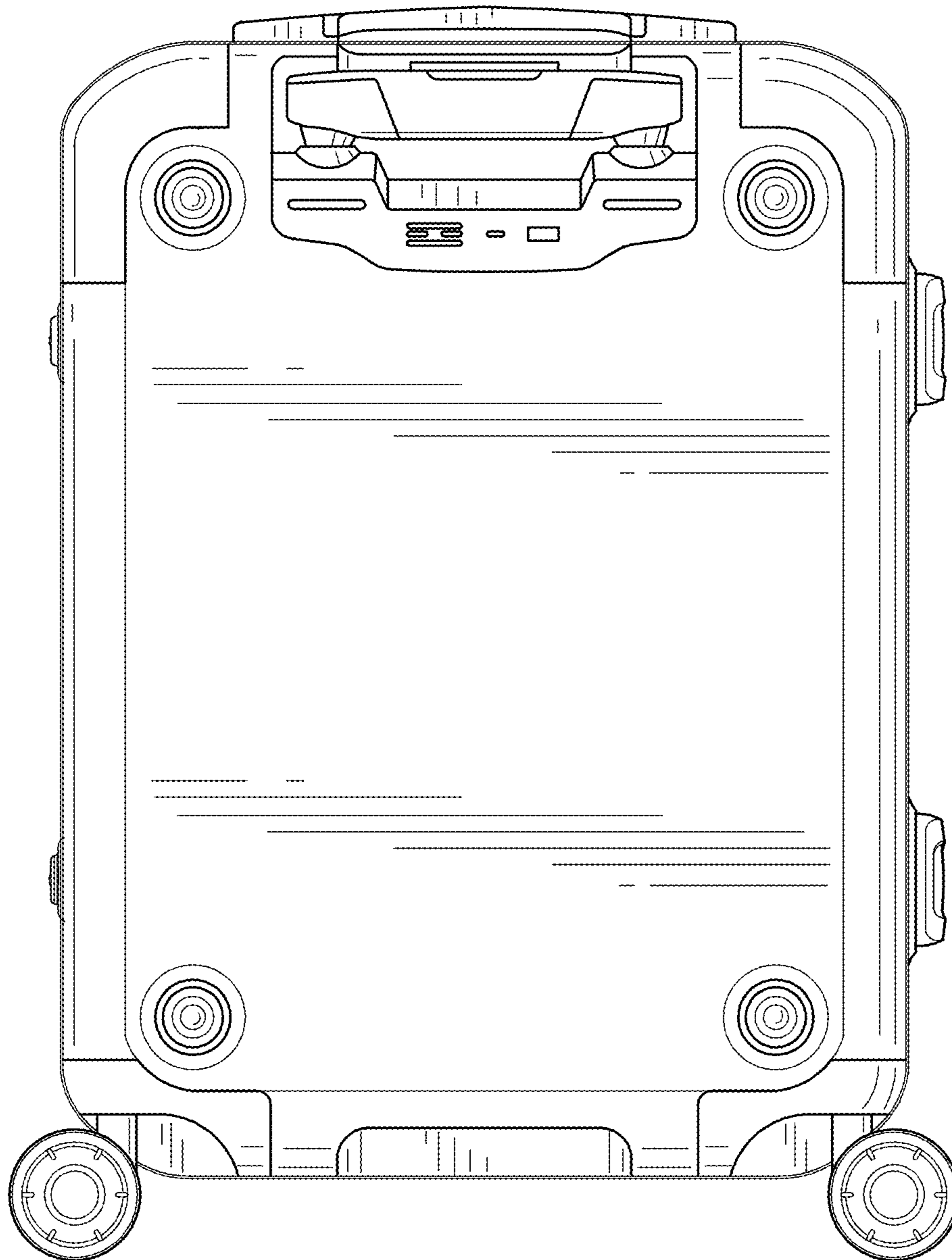


FIG.3

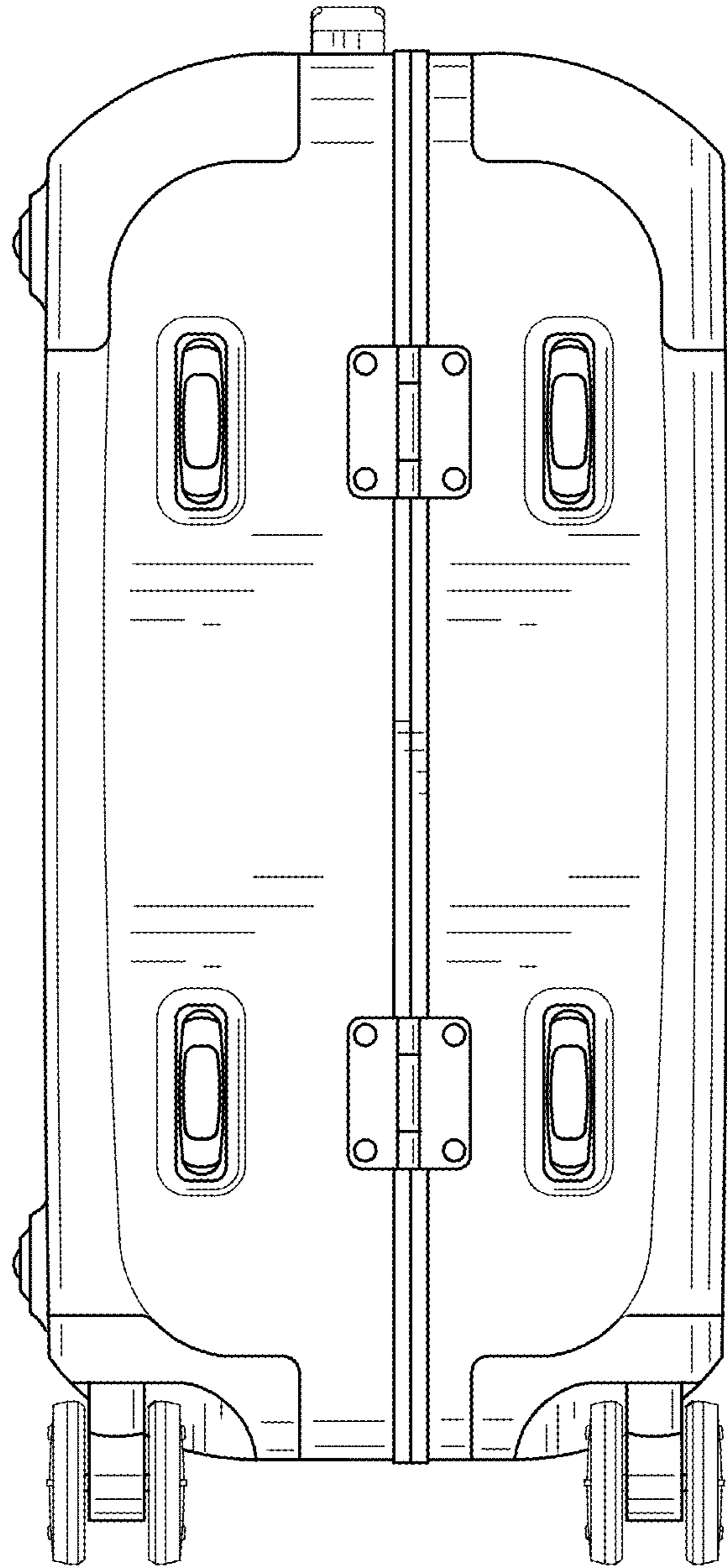


FIG.4

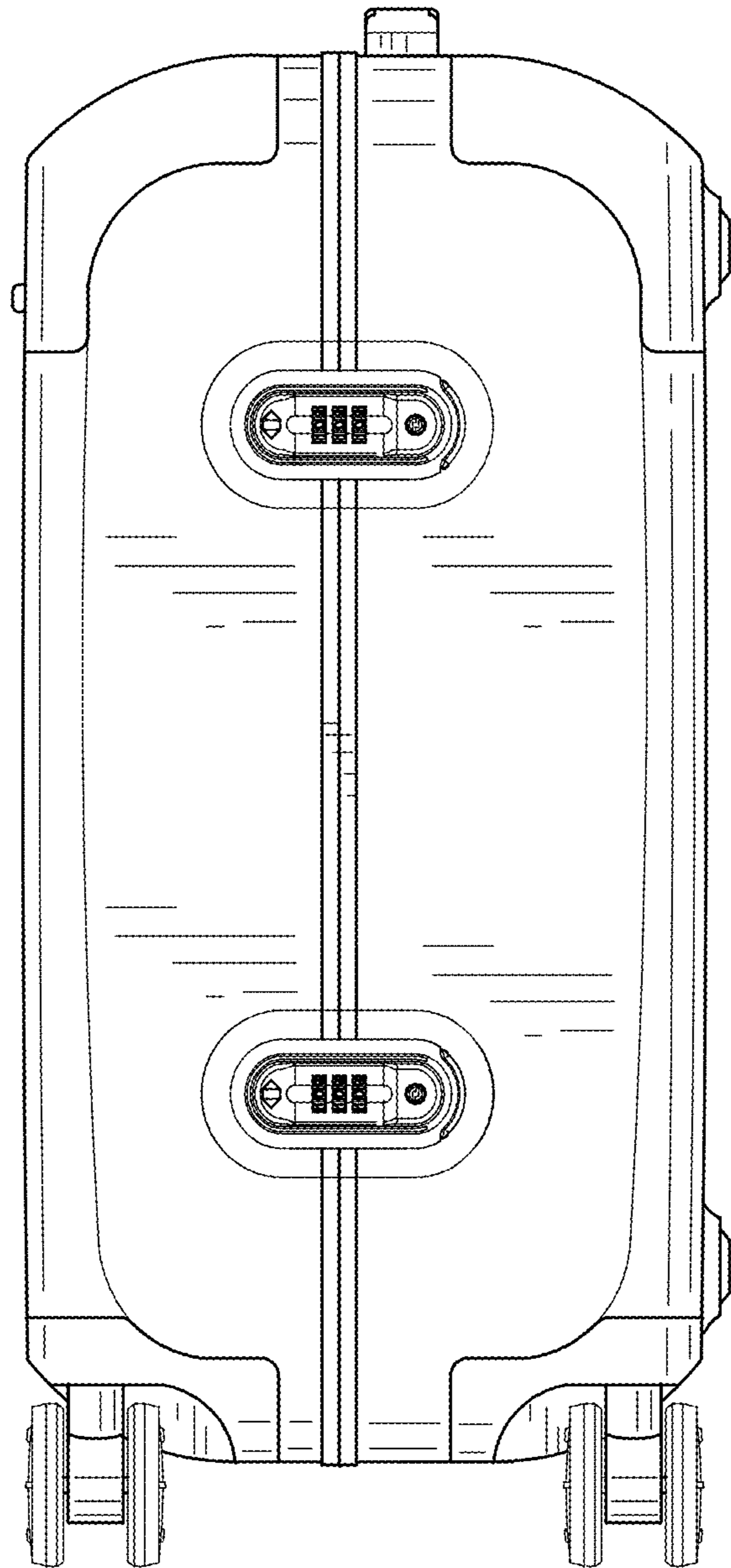


FIG.5

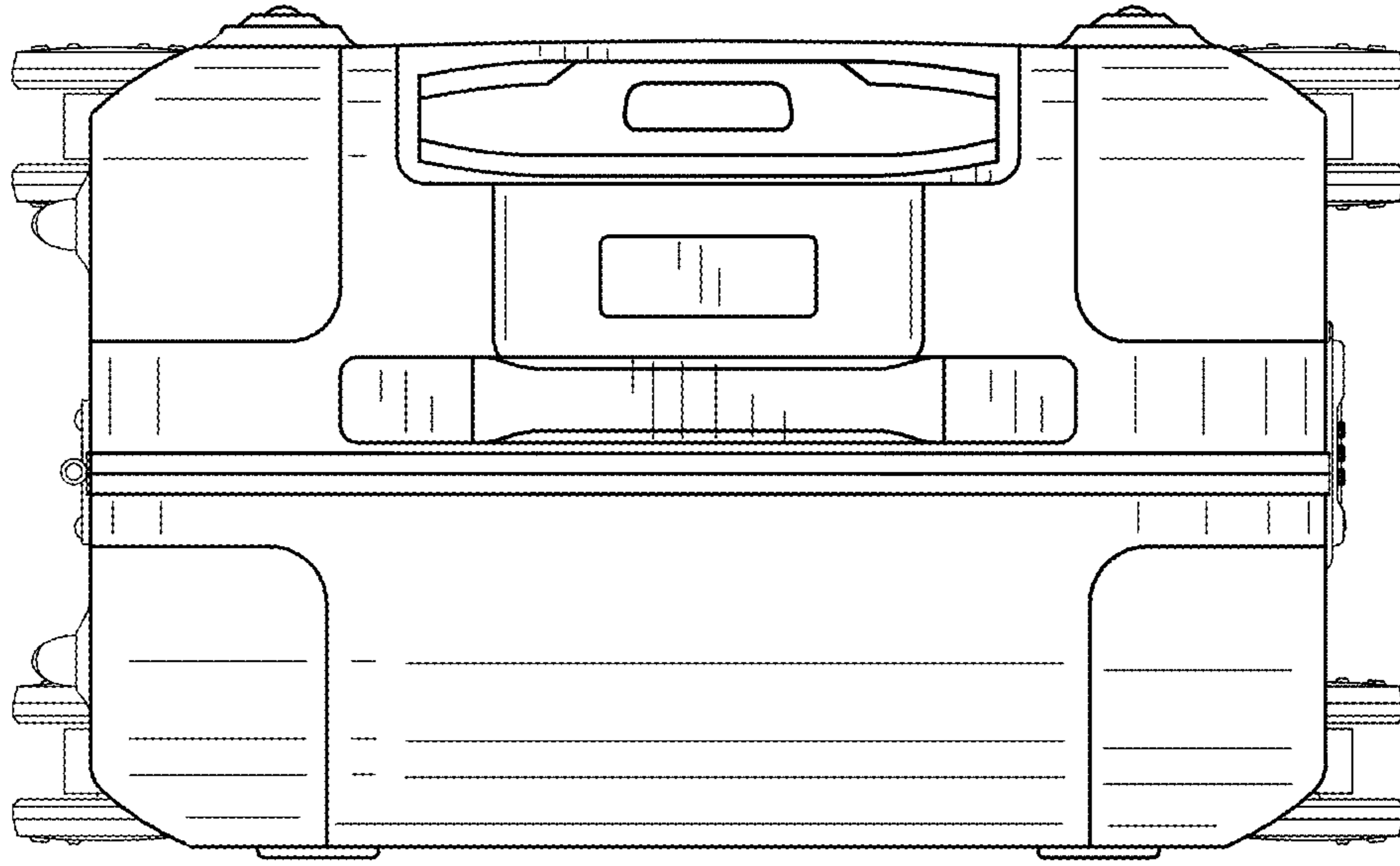


FIG. 6

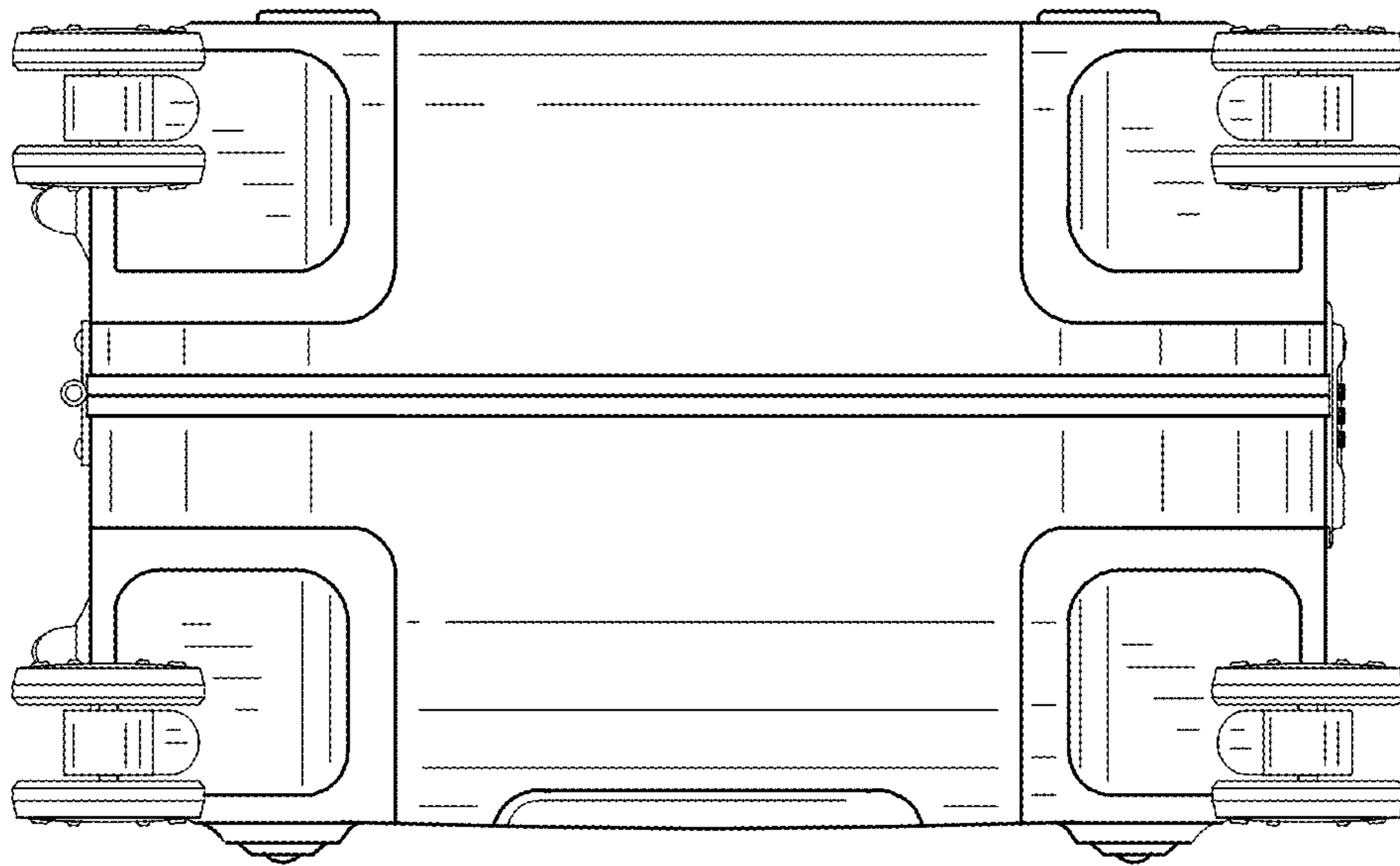


FIG. 7