



US00D784016S

(12) **United States Design Patent** (10) **Patent No.:** **US D784,016 S**  
**Morszeck** (45) **Date of Patent:** **\*\* \*Apr. 18, 2017**

(54) **SUITCASE**  
(71) Applicant: **RIMOWA GmbH**, Cologne (DE)  
(72) Inventor: **Dieter Morszeck**, Cologne (DE)  
(73) Assignee: **RIMOWA GmbH**, Cologne (DE)  
(\* ) Notice: This patent is subject to a terminal disclaimer.  
(\*\* ) Term: **14 Years**  
(21) Appl. No.: **29/520,698**  
(22) Filed: **Mar. 17, 2015**

(30) **Foreign Application Priority Data**  
Sep. 17, 2014 (EP) ..... 002539684  
Dec. 19, 2014 (EP) ..... 002601609  
(51) **LOC (10) Cl.** ..... **03-01**  
(52) **U.S. Cl.**  
USPC ..... **D3/279**  
(58) **Field of Classification Search**  
USPC ..... D3/273, 276, 279, 281, 282, 284, 289,  
D3/294, 301, 902, 900, 905  
CPC ..... A45C 5/00; A45C 5/03; A45C 2005/037;  
A45C 5/14; A45C 7/0027; A45C 7/0018  
See application file for complete search history.

(56) **References Cited**  
U.S. PATENT DOCUMENTS  
5,660,476 A \* 8/1997 DeCoster ..... A45C 13/385  
190/108  
D463,910 S \* 10/2002 Tchan ..... D3/279  
D563,101 S \* 3/2008 Kuchler ..... D3/279  
D632,077 S \* 2/2011 Yoder ..... D3/279  
D640,054 S \* 6/2011 Custer ..... D3/274

D644,435 S \* 9/2011 Weng ..... D3/279  
D663,119 S \* 7/2012 Wright ..... D3/274  
D666,000 S \* 8/2012 Gifford ..... D3/279  
D675,018 S \* 1/2013 Roberts ..... D3/279  
D710,610 S \* 8/2014 Sijmons ..... D3/279  
D711,104 S \* 8/2014 Lai ..... D3/279  
D711,649 S \* 8/2014 Chen ..... D3/279  
D720,928 S \* 1/2015 Roncato ..... D3/279  
D722,771 S \* 2/2015 Wu ..... D3/279  
D732,823 S \* 6/2015 Baron ..... D3/276  
D740,558 S \* 10/2015 Liao ..... D3/279  
2006/0260893 A1 \* 11/2006 Drew ..... A45C 5/14  
190/108  
2013/0333996 A1 \* 12/2013 Selvi ..... A45C 5/14  
190/18 A  
2016/0051022 A1 \* 2/2016 Morszeck ..... A45C 5/02  
190/18 A

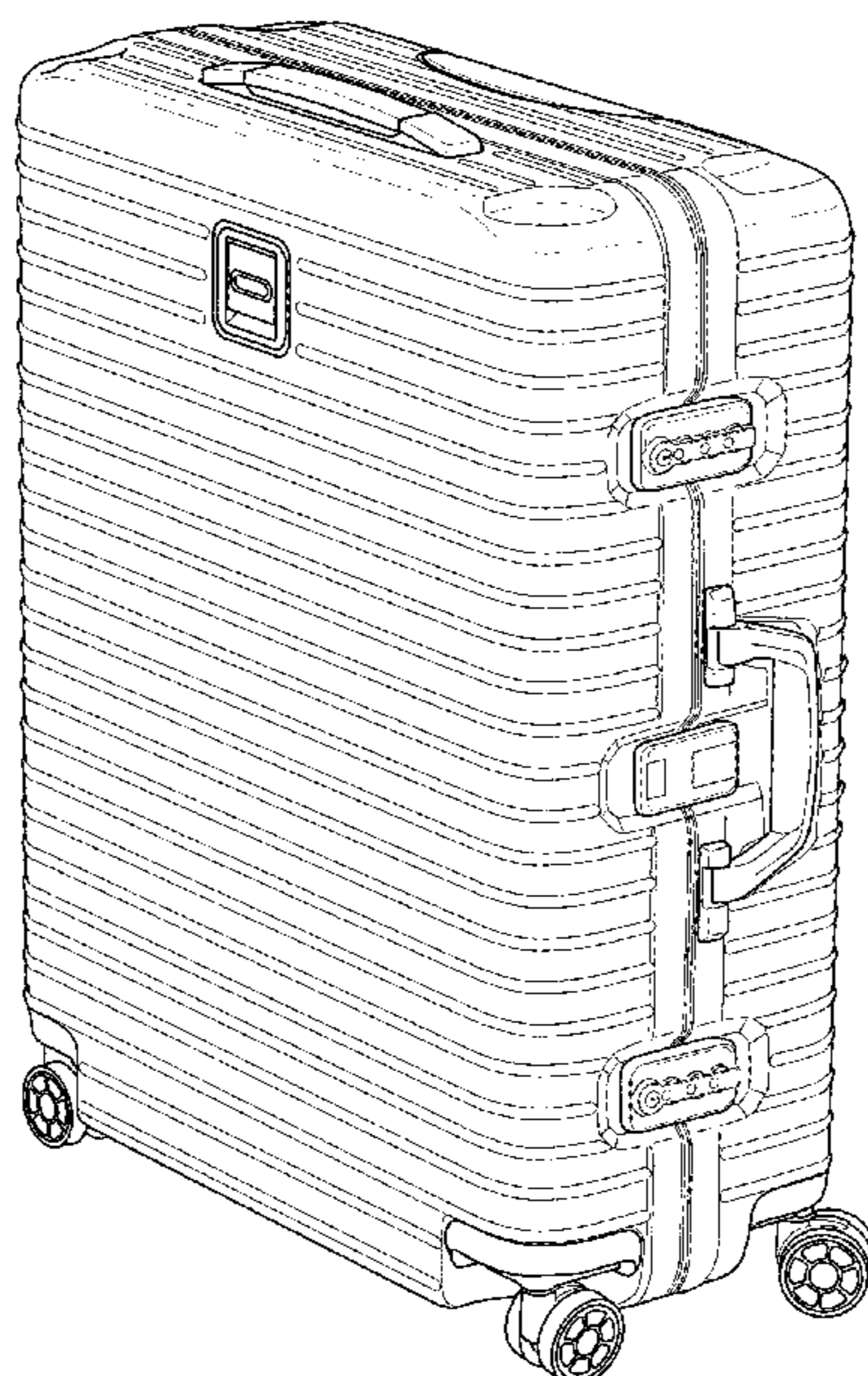
\* cited by examiner

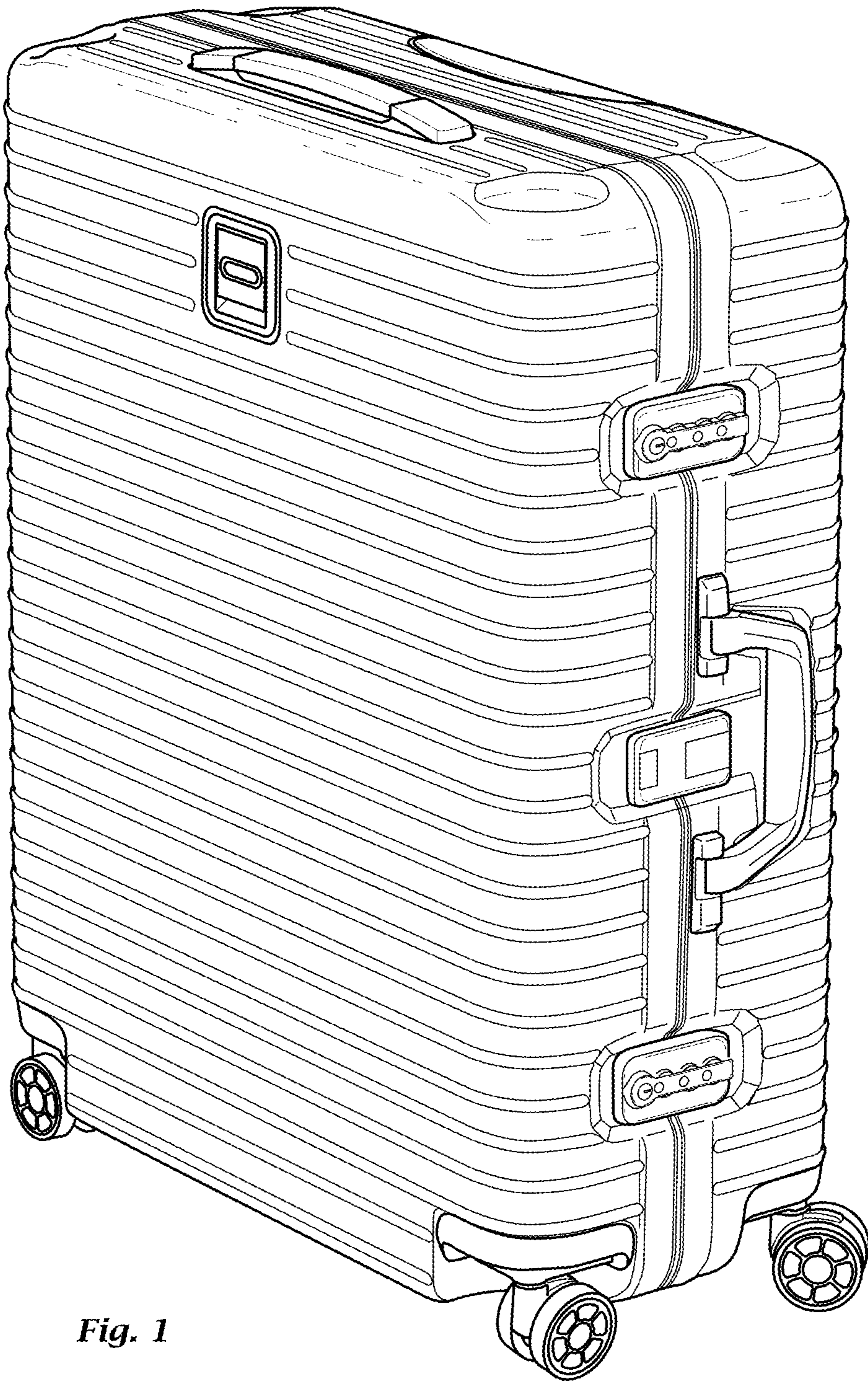
*Primary Examiner* — Jennifer Rivard  
*Assistant Examiner* — April Rivas  
(74) *Attorney, Agent, or Firm* — Maier & Maier, PLLC

(57) **CLAIM**  
The ornamental design for a suitcase, as shown and described.

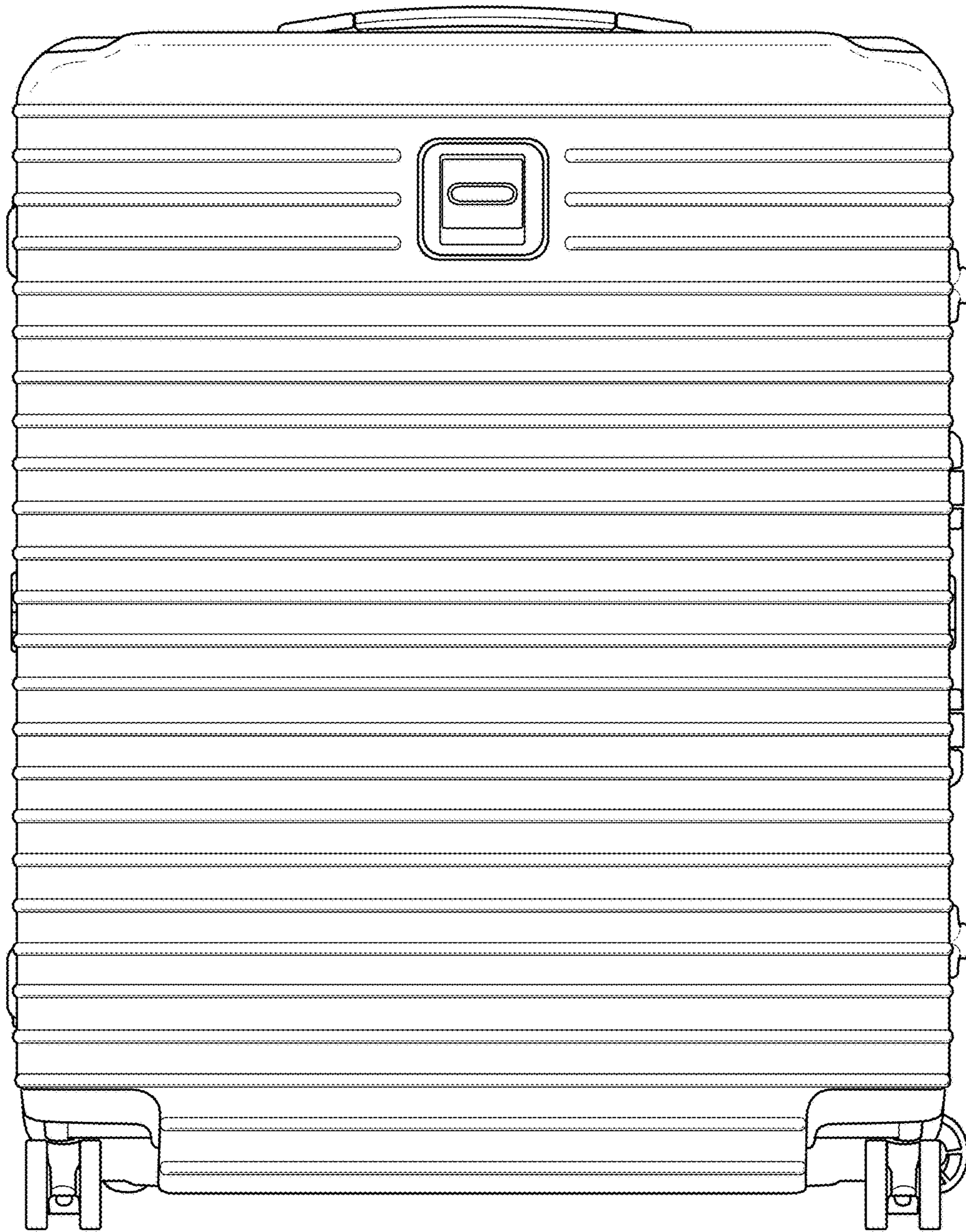
**DESCRIPTION**  
FIG. 1 is a front right perspective view of a first embodiment of a suitcase, showing my design;  
FIG. 2 is a front view thereof;  
FIG. 3 is a rear view thereof;  
FIG. 4 is a right side view thereof;  
FIG. 5 is a left side view thereof;  
FIG. 6 is a top view thereof; and,  
FIG. 7 is a bottom view thereof.  
The broken lines illustrate portions of the suitcase and form no part of the claimed design.

**1 Claim, 6 Drawing Sheets**

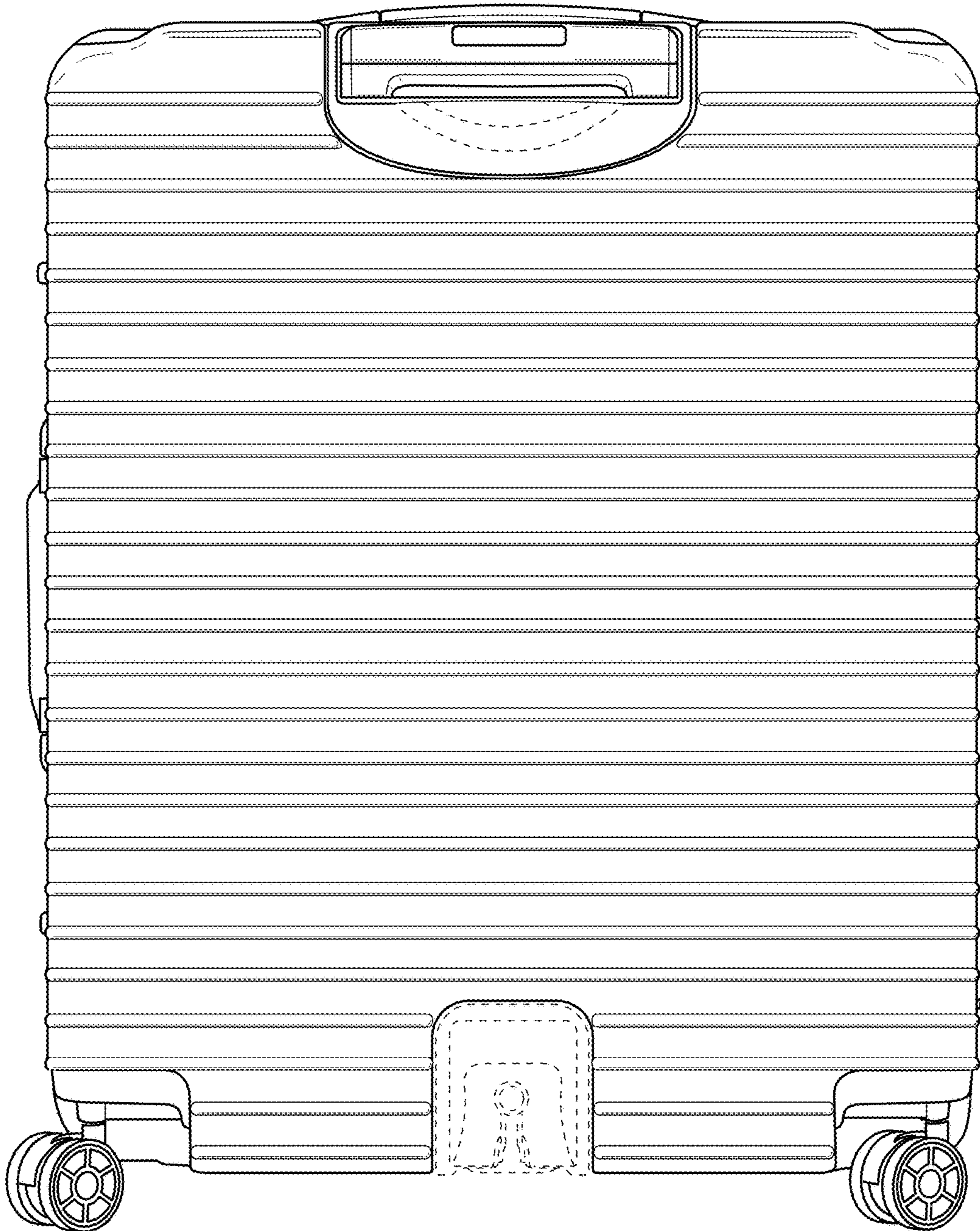




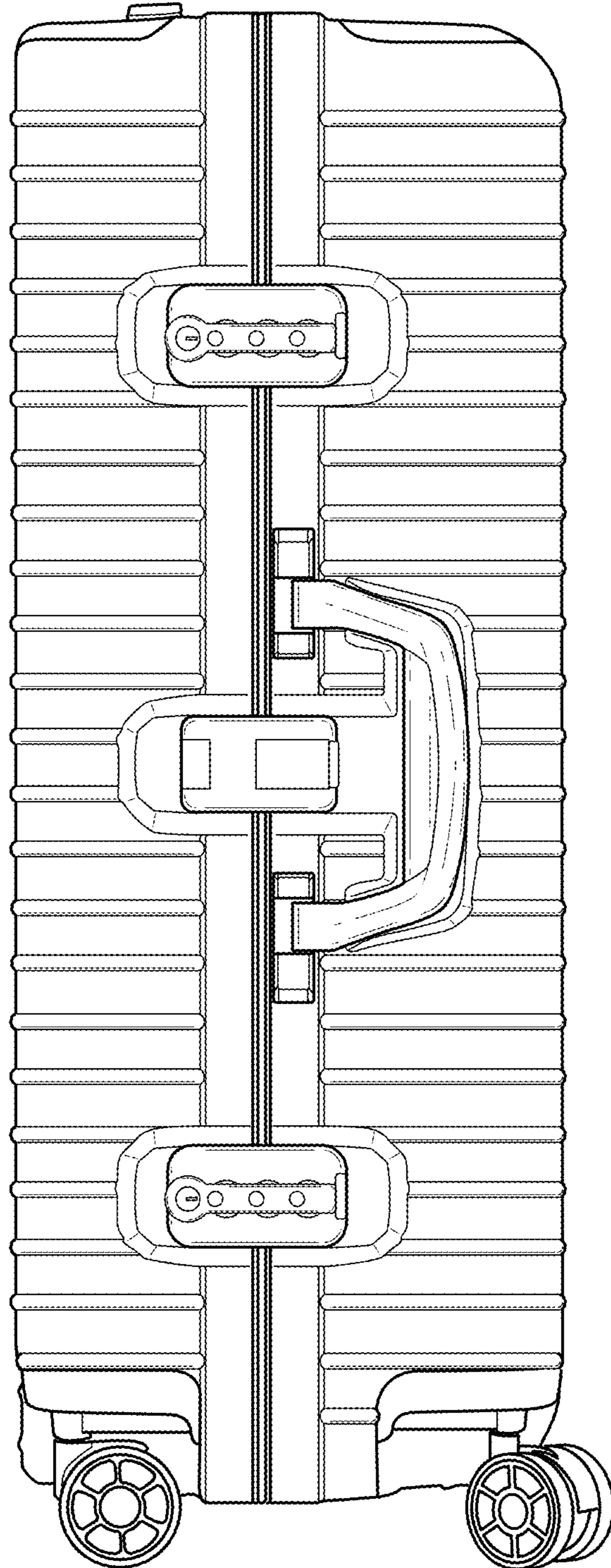
*Fig. 1*



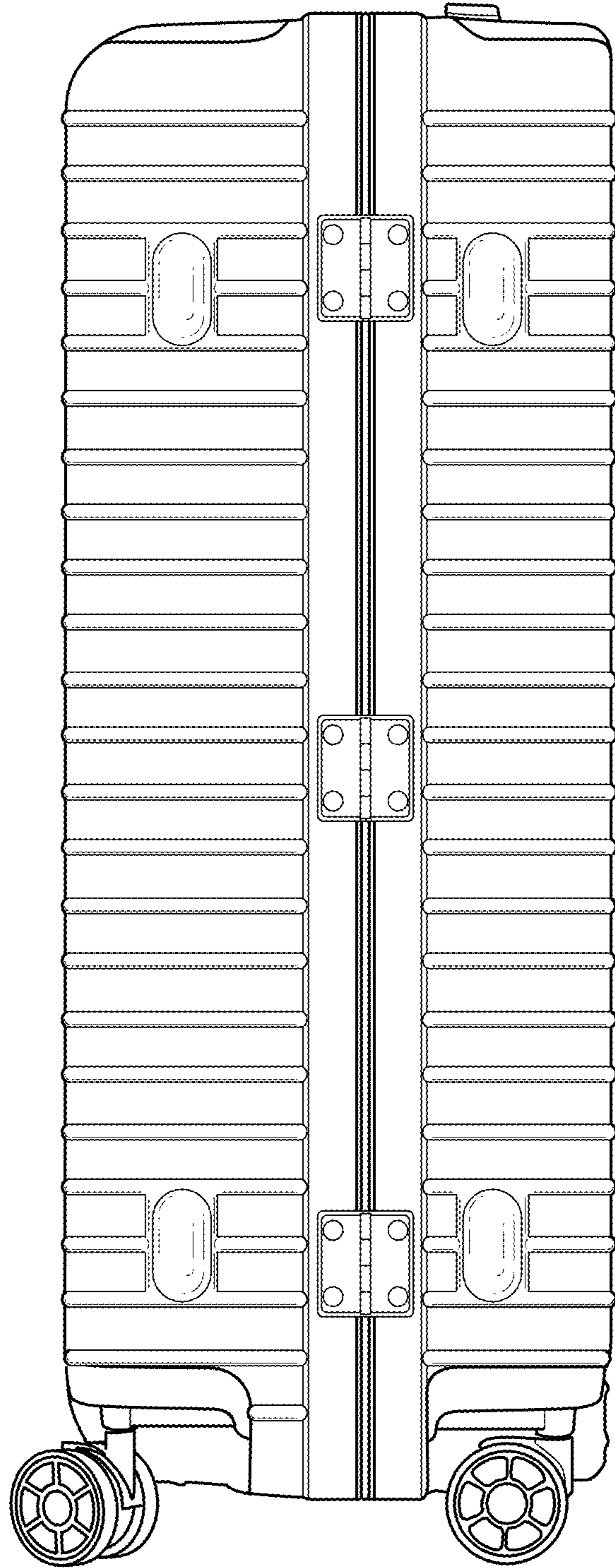
*Fig. 2*



*Fig. 3*



*Fig. 4*



*Fig. 5*

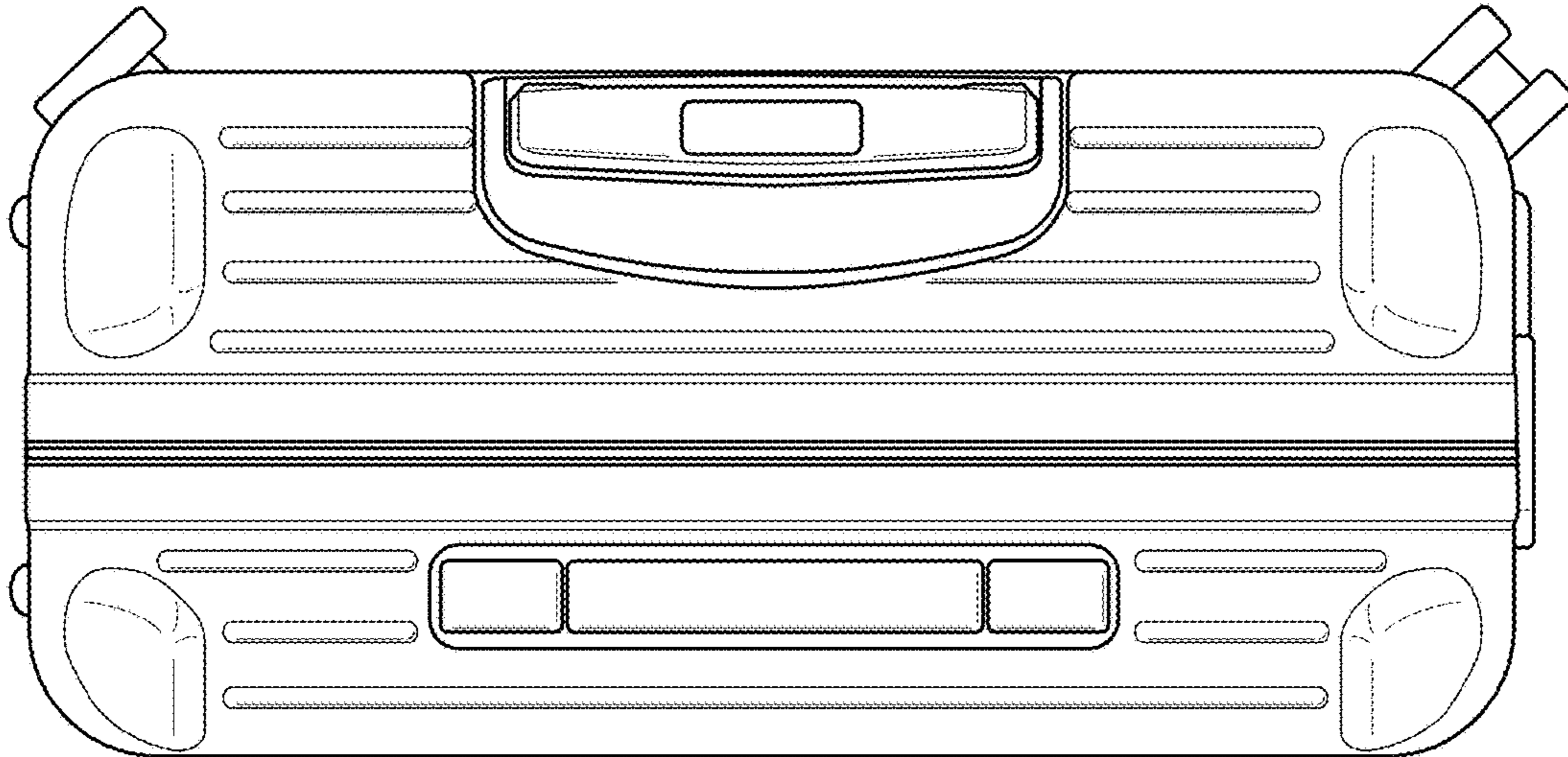


Fig. 6

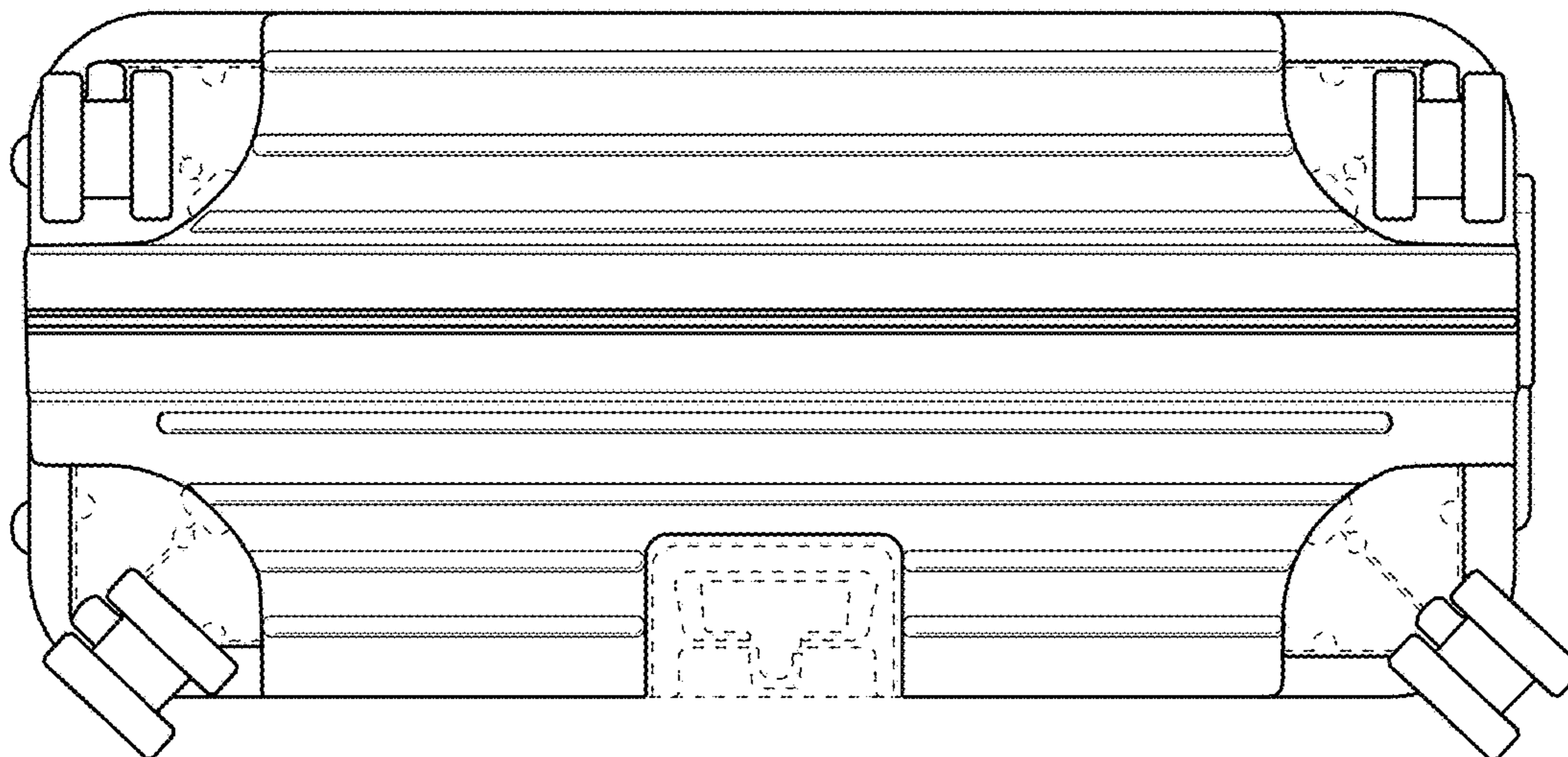


Fig. 7