



US00D784013S

(12) **United States Design Patent**
Hawley, Jr.

(10) **Patent No.:** **US D784,013 S**
(45) **Date of Patent:** **** Apr. 18, 2017**

- (54) **FISHING TOOL SHEATH**
- (71) Applicant: **Frederic James Hawley, Jr.**,
Lindenhurst, IL (US)
- (72) Inventor: **Frederic James Hawley, Jr.**,
Lindenhurst, IL (US)
- (**) Term: **15 Years**
- (21) Appl. No.: **29/556,849**
- (22) Filed: **Mar. 3, 2016**
- (51) **LOC (10) Cl.** **03-01**
- (52) **U.S. Cl.**
USPC **D3/260**
- (58) **Field of Classification Search**
USPC D3/260, 201, 215, 221, 224, 228, 254,
D3/315, 318, 328; D2/627, 624, 629,
D2/639
CPC A01K 97/00–97/28; A45F 5/00; A45F
5/021; B26B 29/00–29/025
See application file for complete search history.

6,264,081	B1 *	7/2001	Wojciak	A41F 9/002 2/312
6,267,276	B1 *	7/2001	Cook	A01K 97/10 224/162
D464,792	S *	10/2002	Brown	D3/215
D474,015	S *	5/2003	Brown	D3/215
D494,754	S *	8/2004	Murphy	D3/228
D495,853	S *	9/2004	Nelson	D2/627
D659,947	S *	5/2012	Mouquet	D2/627
D708,847	S *	7/2014	Goddard	D3/224
D723,265	S *	3/2015	Ford	D3/224
D750,371	S *	3/2016	Kinsky	D3/228
2014/0151411	A1 *	6/2014	Anderson	A45C 13/30 223/88

* cited by examiner

Primary Examiner — Mitchell Siegel
(74) *Attorney, Agent, or Firm* — Lesley A. Wallerstein, LLC

(57) **CLAIM**

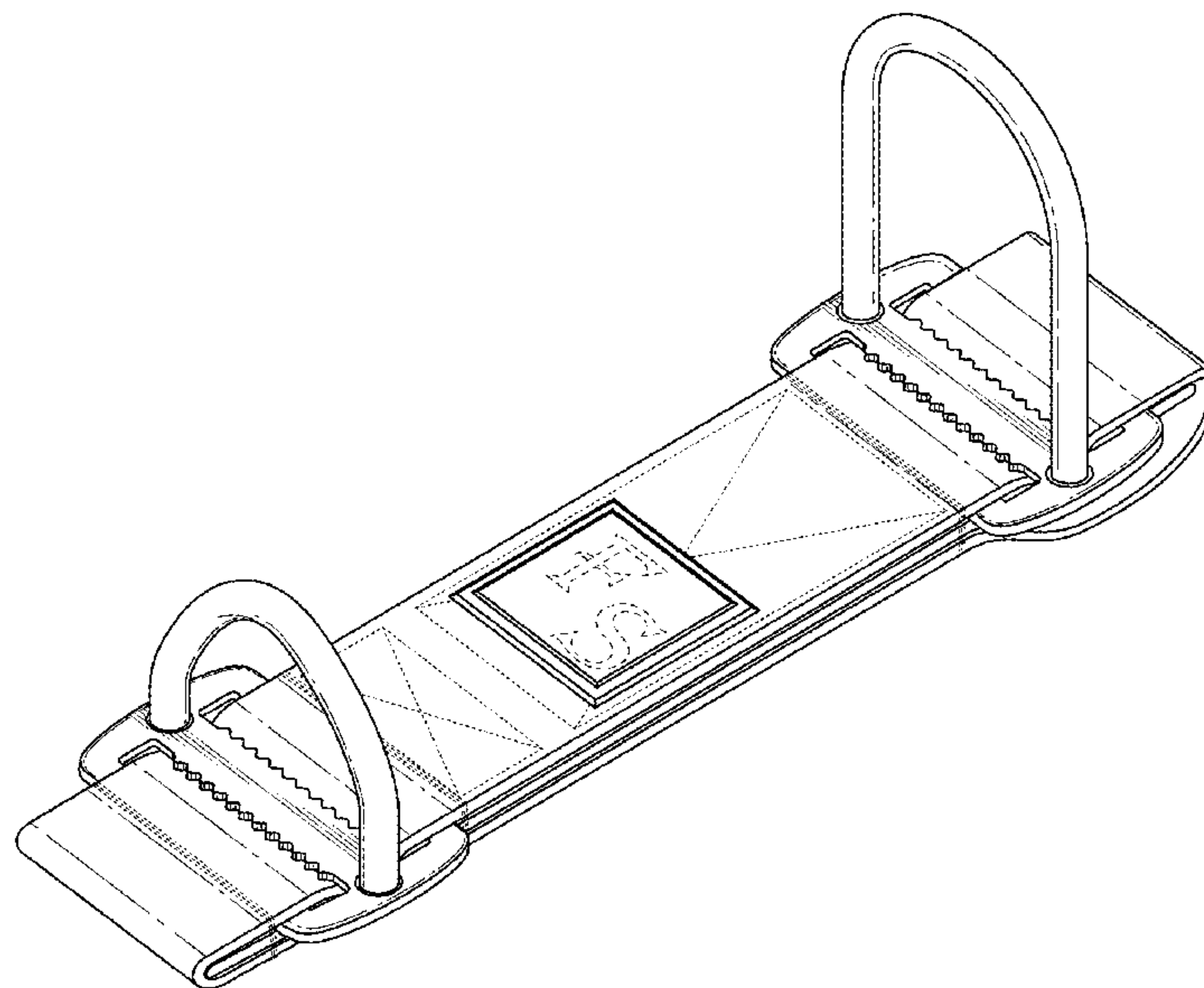
The ornamental design for a fishing tool sheath, as shown and described.

DESCRIPTION

FIG. 1 is a perspective view of a fishing tool sheath according to the present invention.
 FIG. 2 is a front view of the fishing tool sheath of FIG. 1.
 FIG. 3 is a rear view of the fishing tool sheath of FIG. 1.
 FIG. 4 is a left side view of the fishing tool sheath of FIG. 1.
 FIG. 5 is a top view of the fishing tool sheath of FIG. 1.
 FIG. 6 is a bottom view of the fishing tool sheath of FIG. 1; and,
 FIG. 7 is a front view of the fishing tool sheath of FIG. 1, the broken line showing of the fishing tool is included for the purpose of illustrating and forms no part of the claimed design.

1 Claim, 4 Drawing Sheets

- (56) **References Cited**
U.S. PATENT DOCUMENTS
- 1,600,027 A * 9/1926 Welsand A62B 35/00
182/3
- 3,307,754 A * 3/1967 Anketell A45F 5/02
224/197
- 5,360,384 A * 11/1994 Toensing A63B 69/0064
482/23
- 5,941,438 A * 8/1999 Price A41F 9/002
224/660
- D415,891 S 11/1999 Renna
- 6,015,073 A * 1/2000 Wojciak A41F 9/002
2/312
- 6,085,952 A * 7/2000 Garland A45F 5/021
224/242



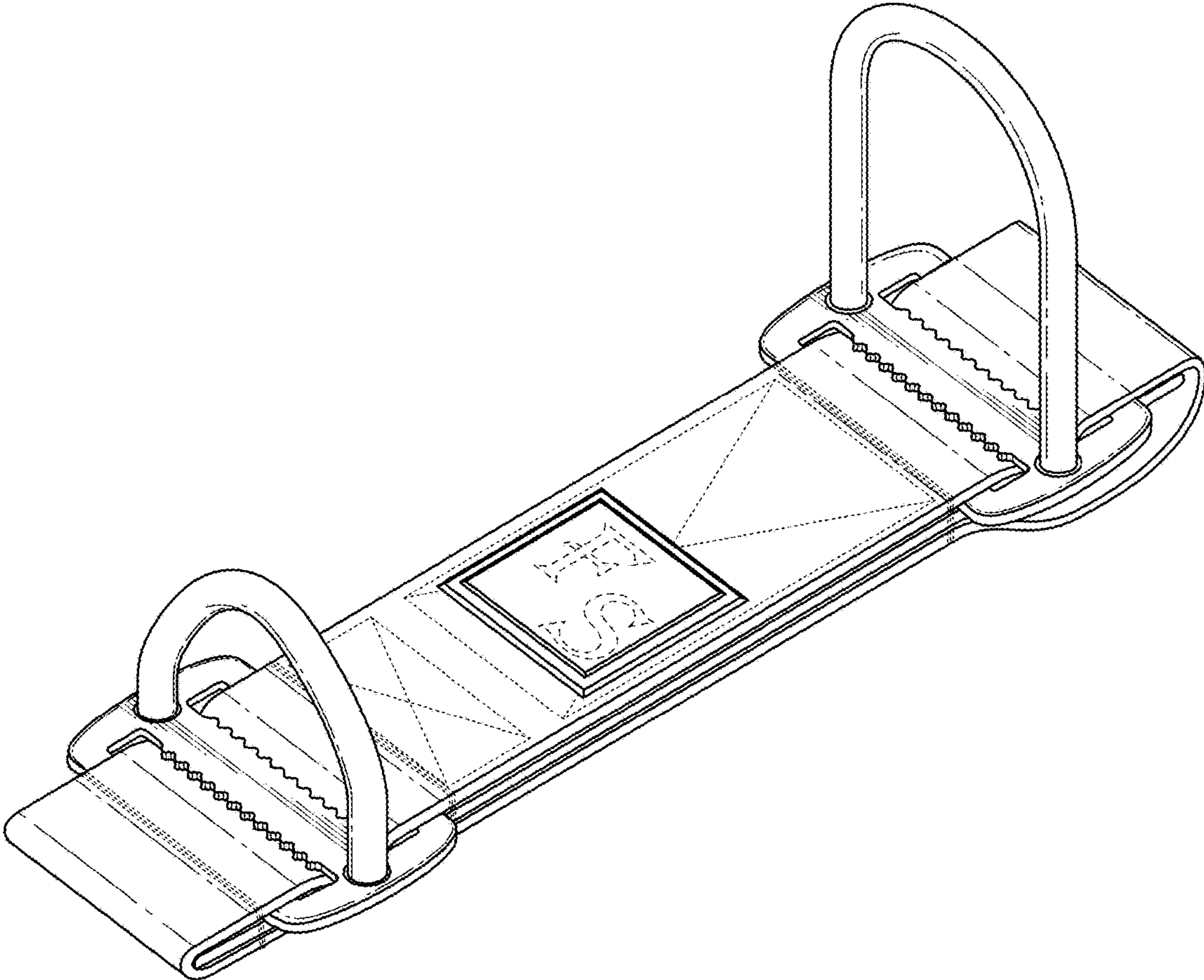


FIG. 1

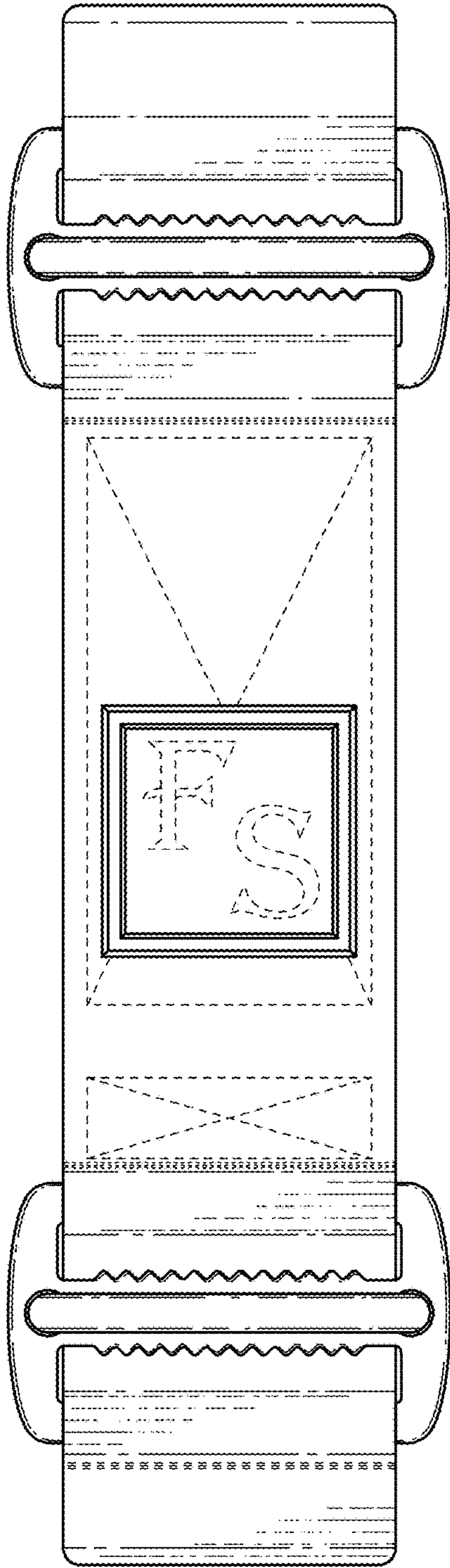


FIG. 2

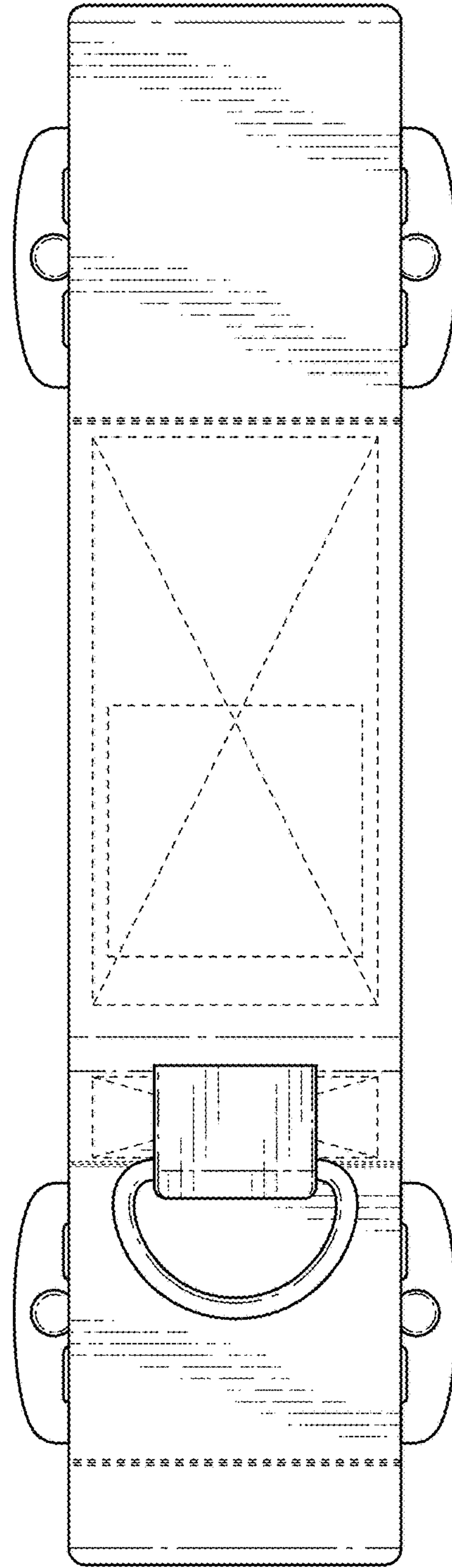


FIG. 3

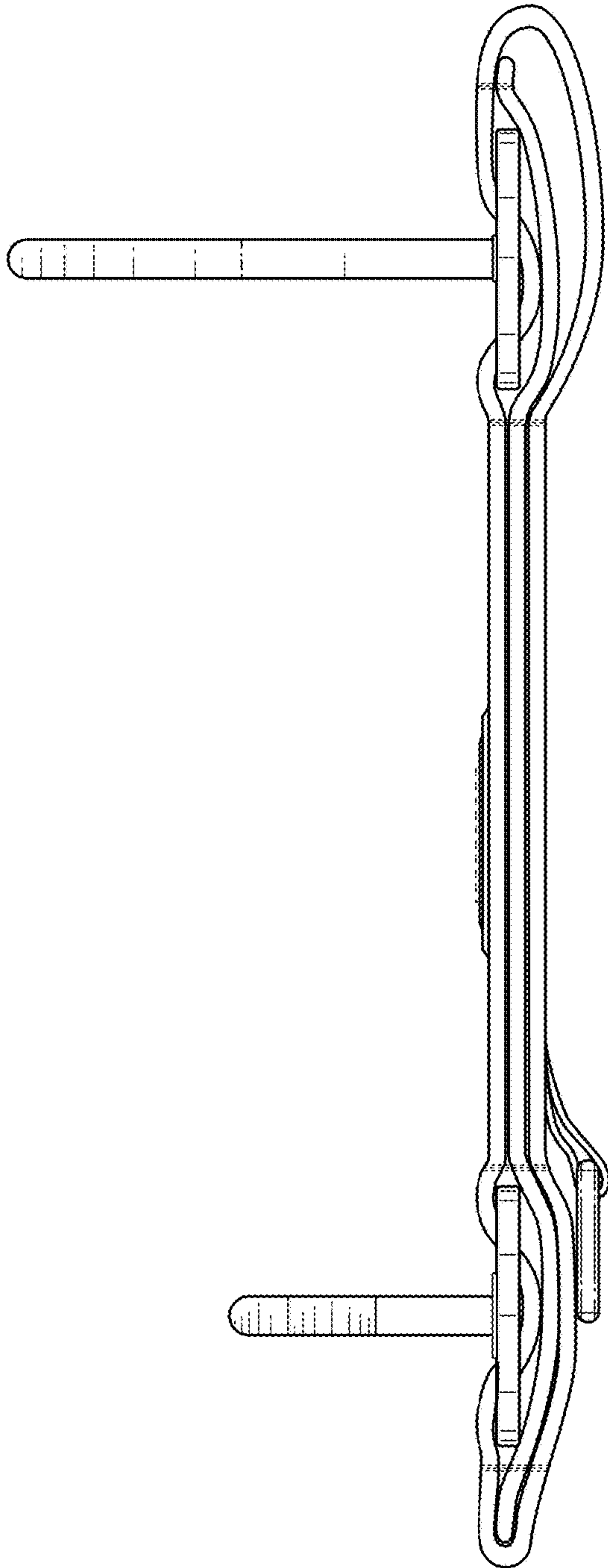


FIG. 4

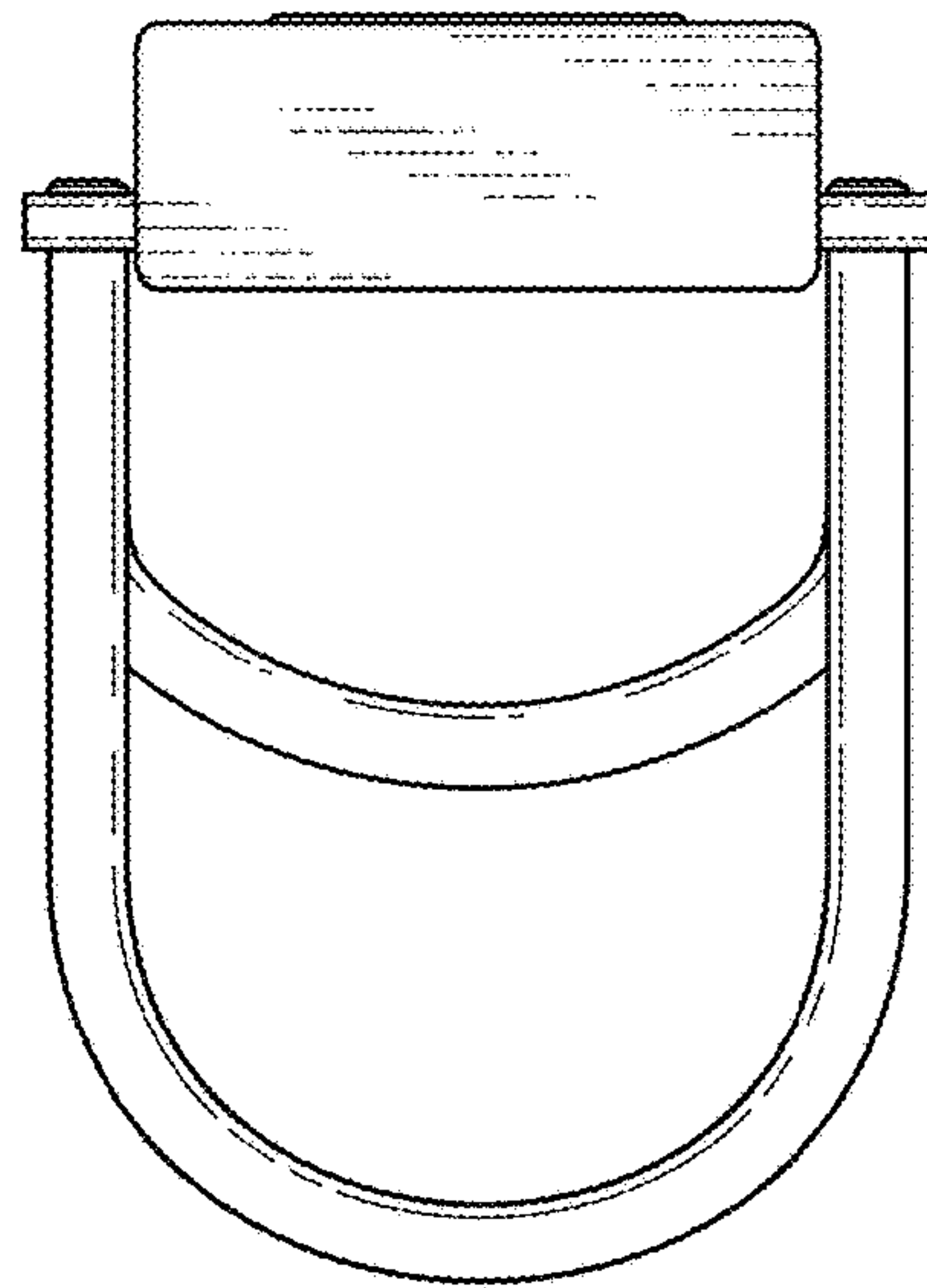


FIG. 5

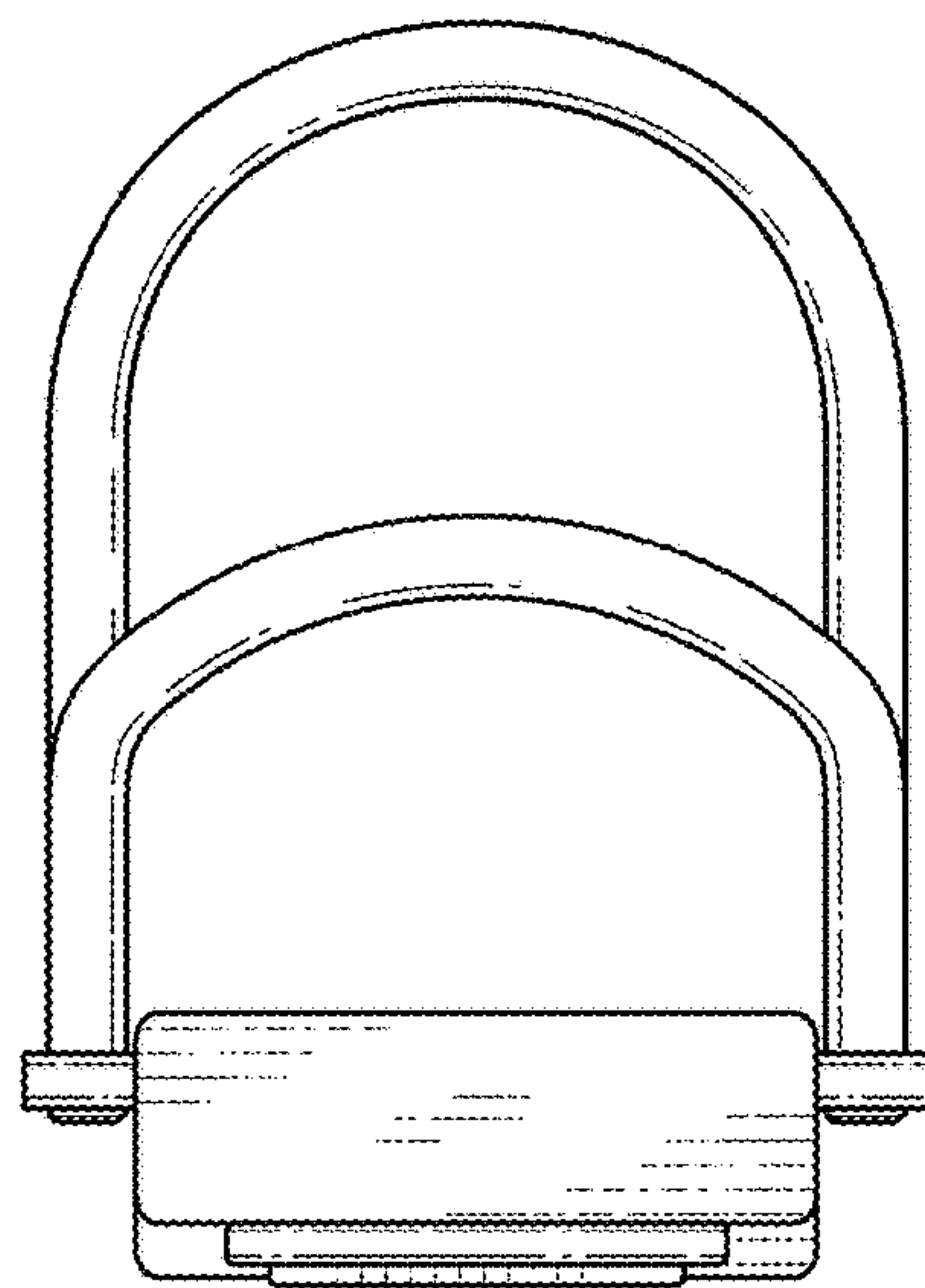


FIG. 6

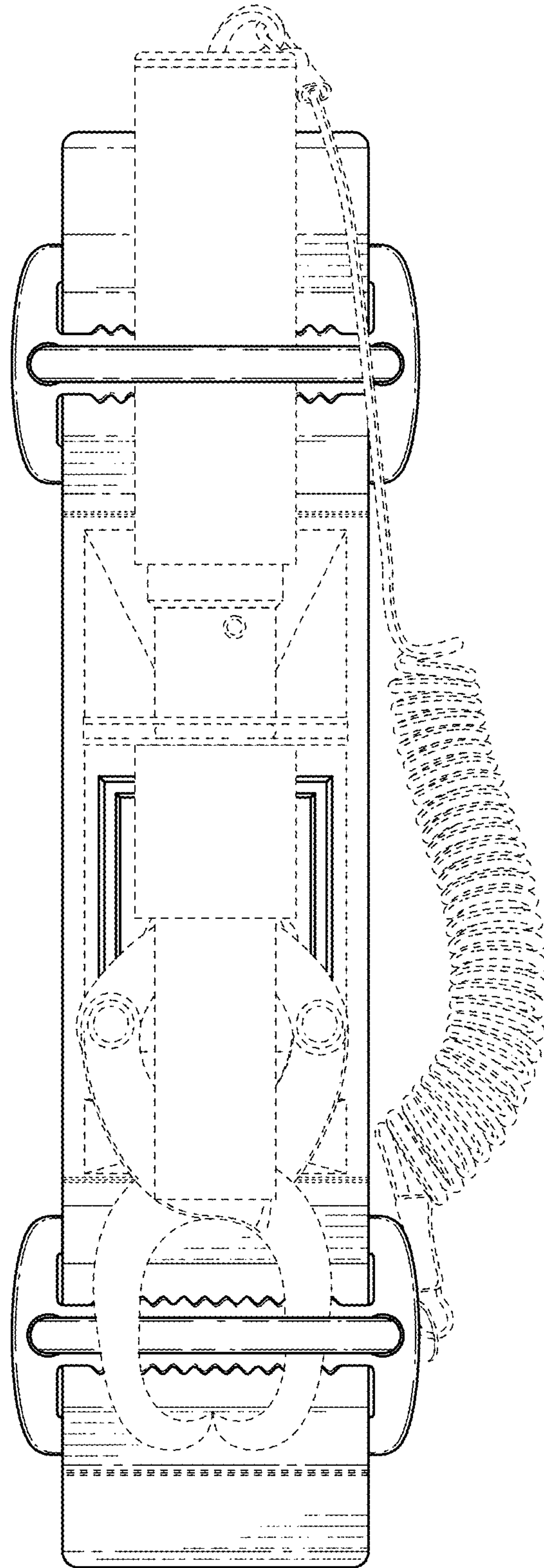


FIG. 7