



US00D784008S

(12) **United States Design Patent** (10) **Patent No.:** **US D784,008 S**
Rogers et al. (45) **Date of Patent:** **** *Apr. 18, 2017**

(54) **HANDGUN HOLSTER**

(71) Applicant: **Rogers Holster Co., LLC**,
Jacksonville, FL (US)

(72) Inventors: **William H. Rogers**, St. Augustine, FL
(US); **Matthew E. McKendrick**,
Jacksonville, FL (US)

(73) Assignee: **Rogers Holster Co., LLC**,
Jacksonville, FL (US)

(*) Notice: This patent is subject to a terminal disclaimer.

(**) Term: **14 Years**

(21) Appl. No.: **29/514,889**

(22) Filed: **Jan. 16, 2015**

(51) **LOC (10) Cl.** **03-01**

(52) **U.S. Cl.**
USPC **D3/222**

(58) **Field of Classification Search**
USPC D3/222–223; 224/183, 192–193,
224/238–239, 243–244, 587, 672,
224/911–912, 931

CPC F41C 33/0209; F41C 33/0263
See application file for complete search history.

(56) **References Cited**

U.S. PATENT DOCUMENTS

5,944,239 A *	8/1999	Rogers	F41C 33/0209 224/193
8,646,665 B2 *	2/2014	Abushaev	F41C 33/0263 224/243
8,925,773 B2 *	1/2015	Clifton	F41C 33/0209 224/192
D735,471 S *	8/2015	Faifer	D3/222

* cited by examiner

Primary Examiner — Catheri Oliver-Garcia

(74) *Attorney, Agent, or Firm* — Kane Kessler, P.C.; Paul E. Szabo

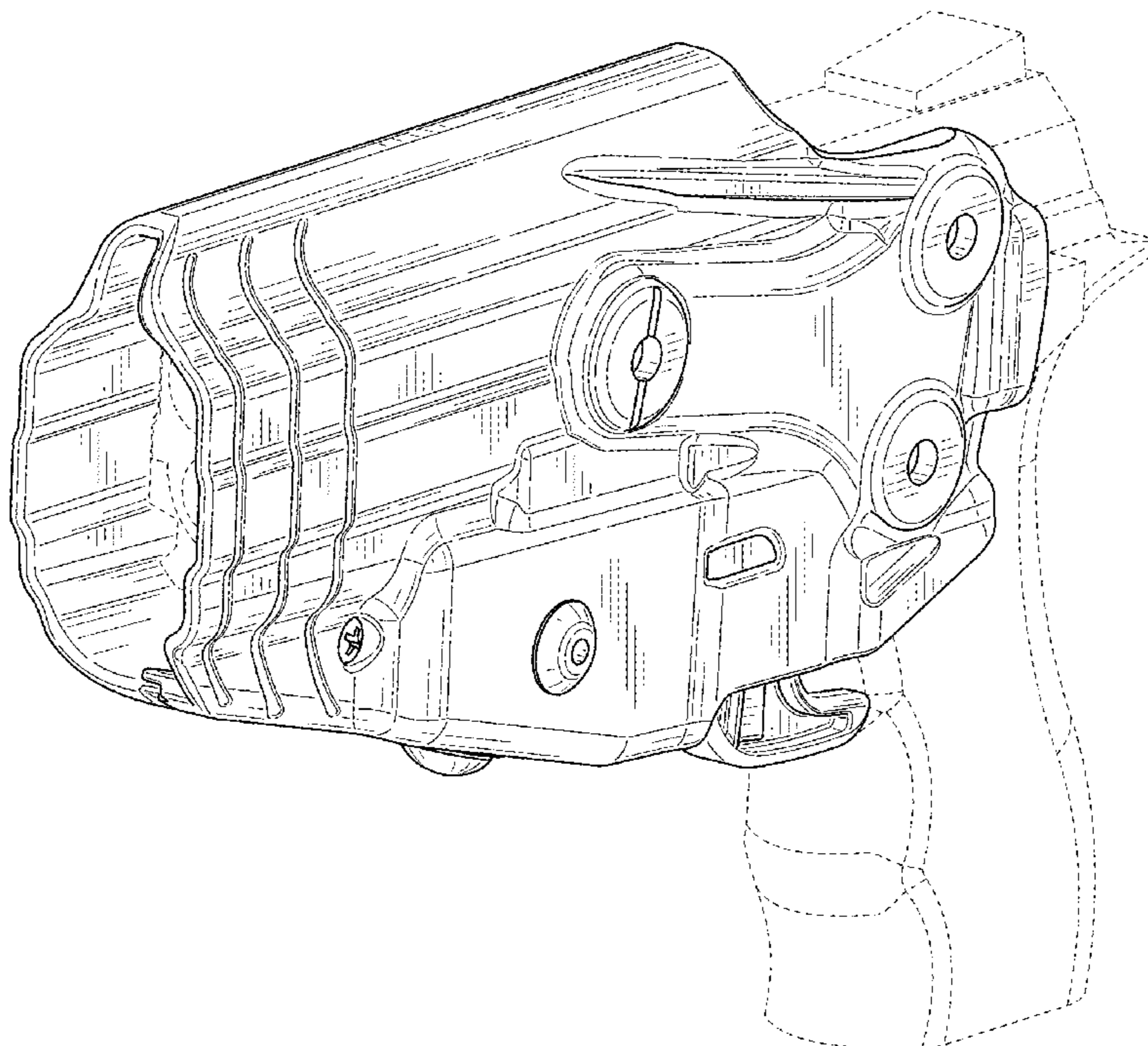
(57) **CLAIM**

The ornamental design for a handgun holster, as shown and described.

DESCRIPTION

FIG. 1 is a top rear perspective view of the handgun holster in accord with our design;
 FIG. 2 is a rear elevational view thereof;
 FIG. 3 is a front elevational view thereof;
 FIG. 4 is a right side elevational view thereof;
 FIG. 5 is left side elevational view thereof;
 FIG. 6 is a top plan view thereof; and,
 FIG. 7 is a bottom plan view thereof.
 The broken lines in all the drawings are representations of the handgun and form no part of the handgun holster of this invention.

1 Claim, 5 Drawing Sheets



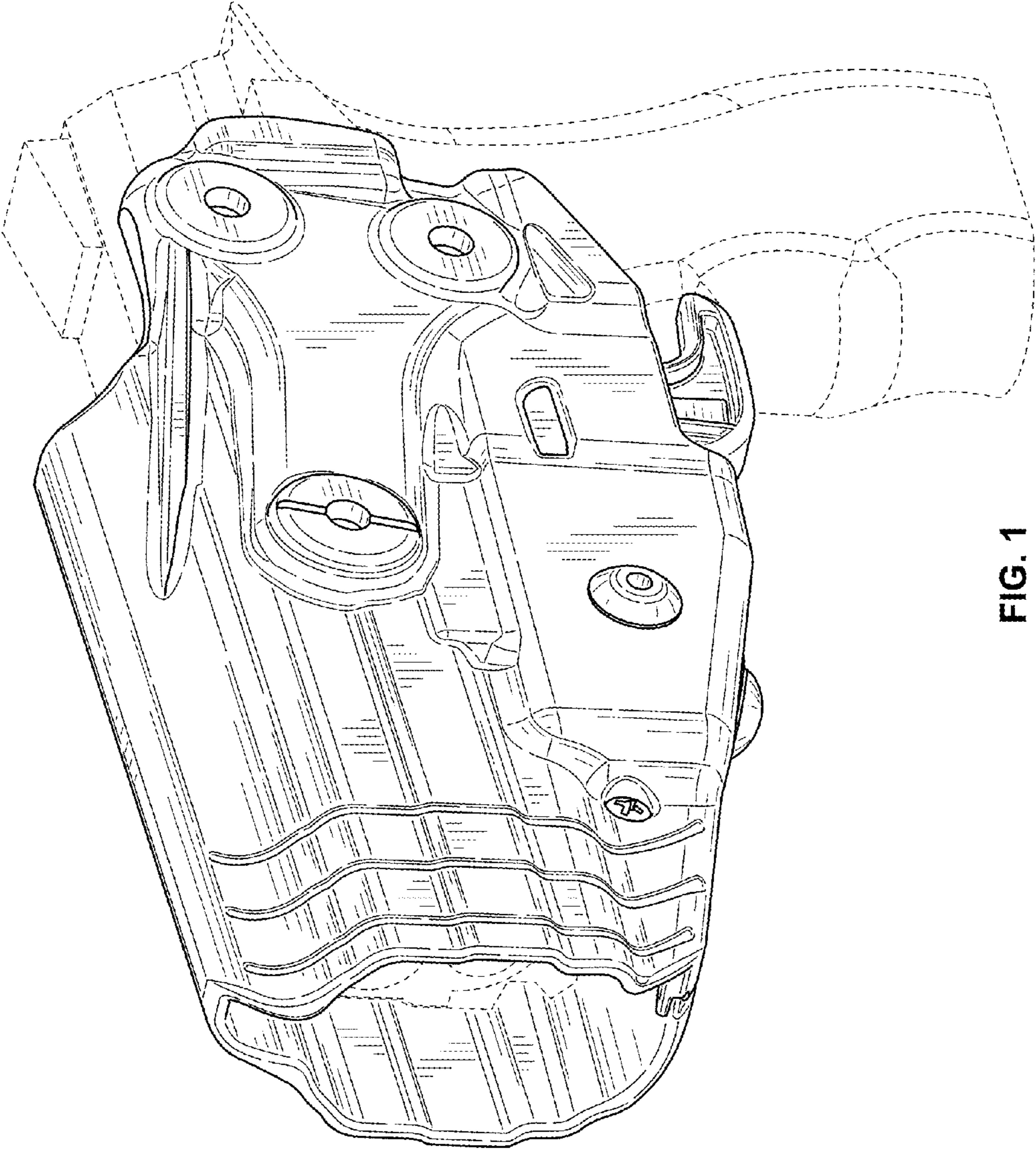


FIG. 1

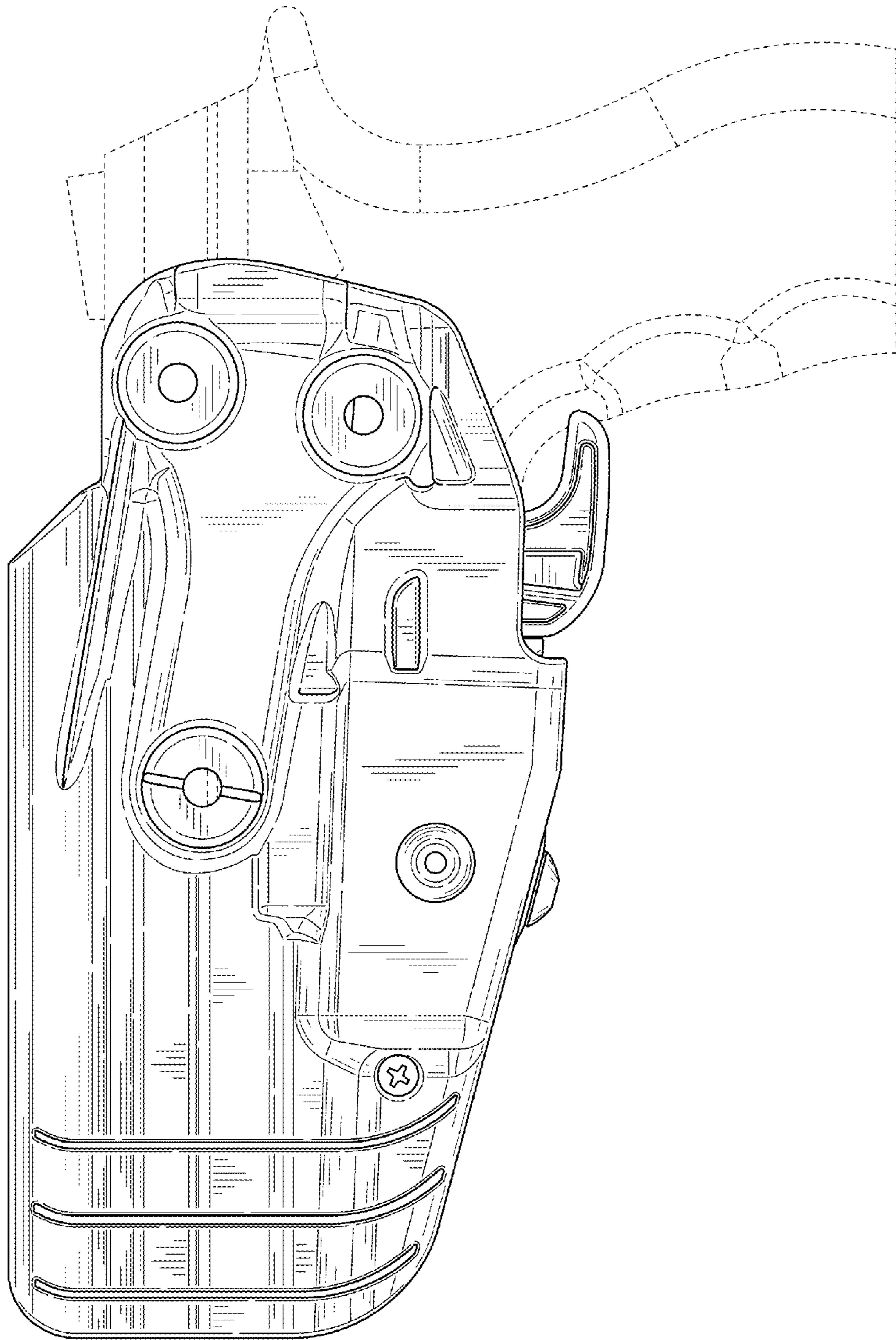


FIG. 2

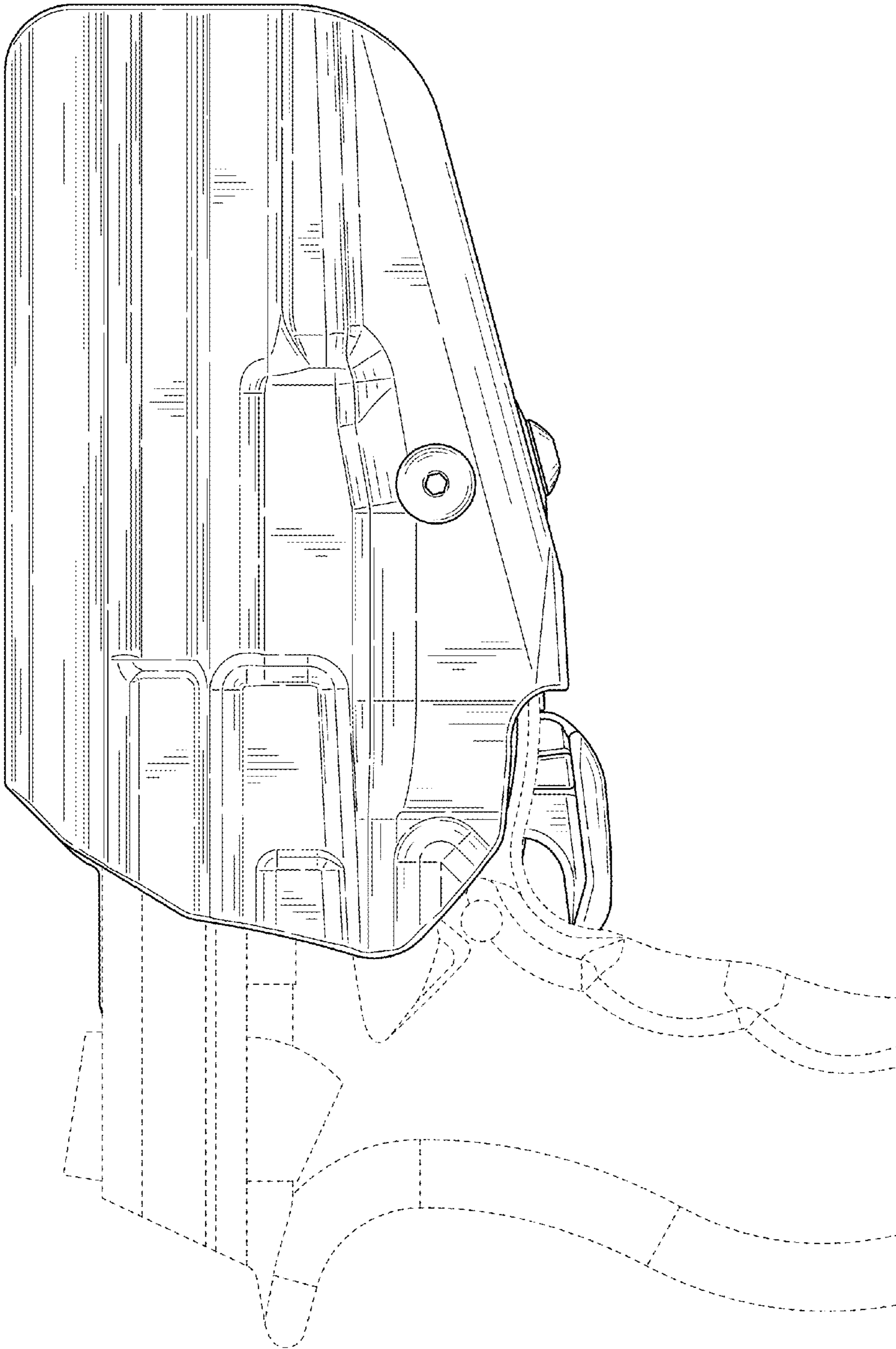


FIG. 3

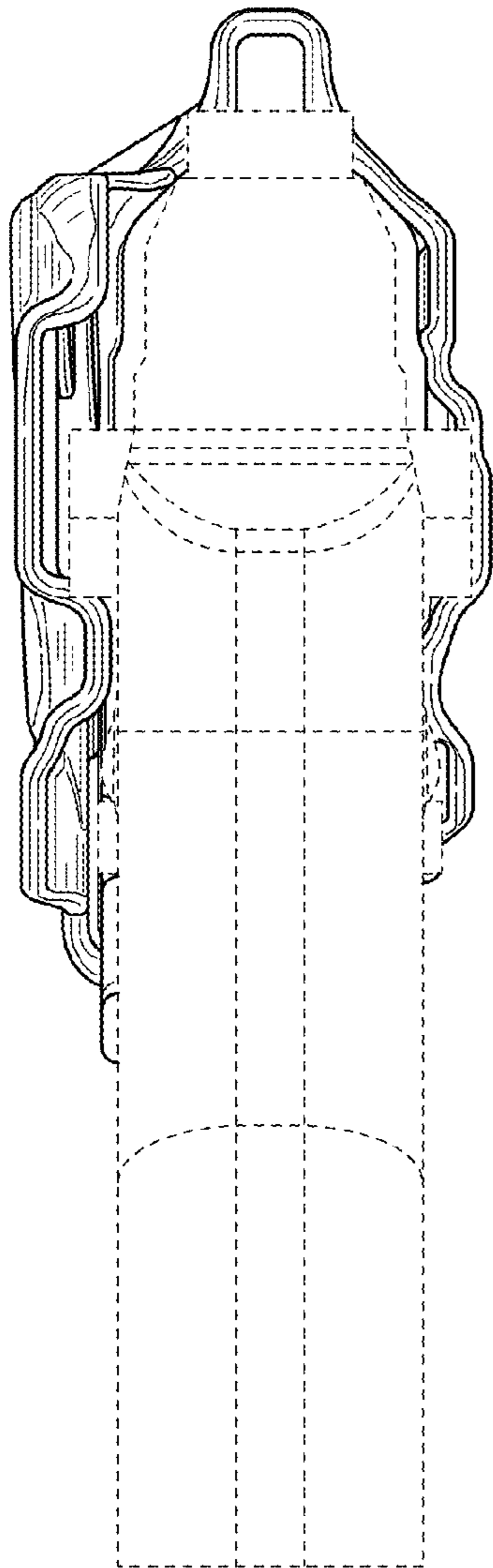


FIG. 4

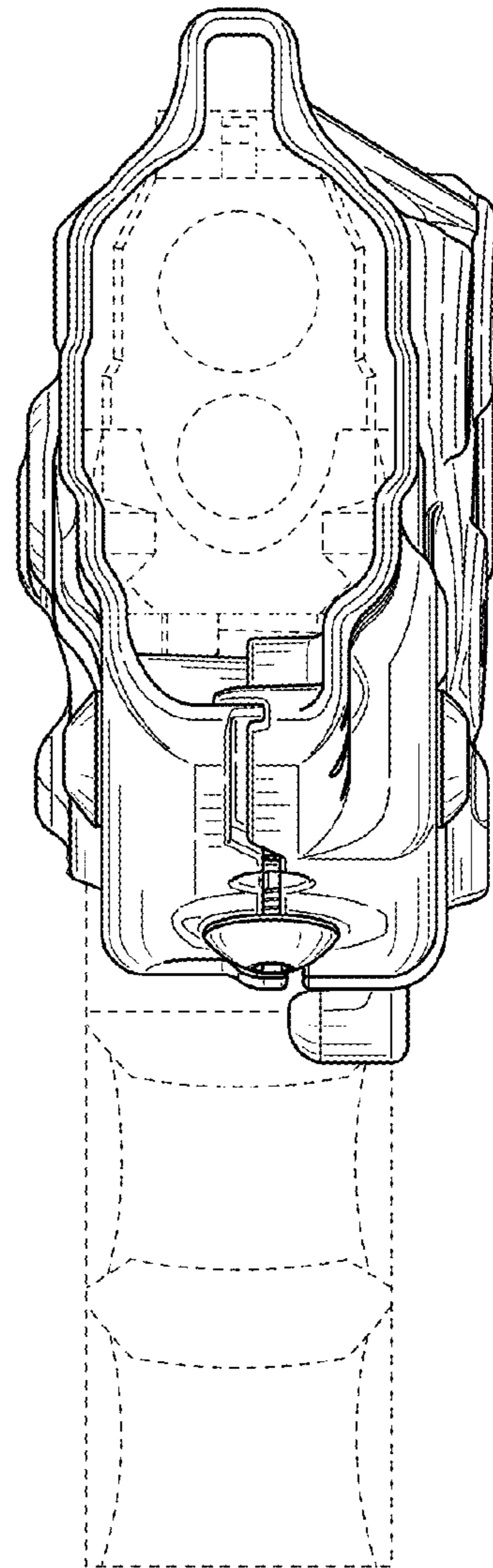


FIG. 5

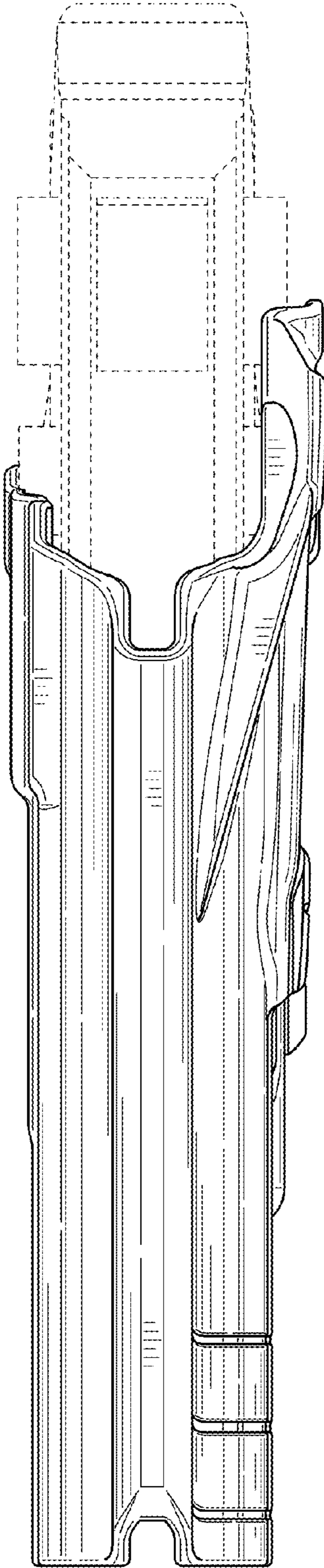


FIG. 6

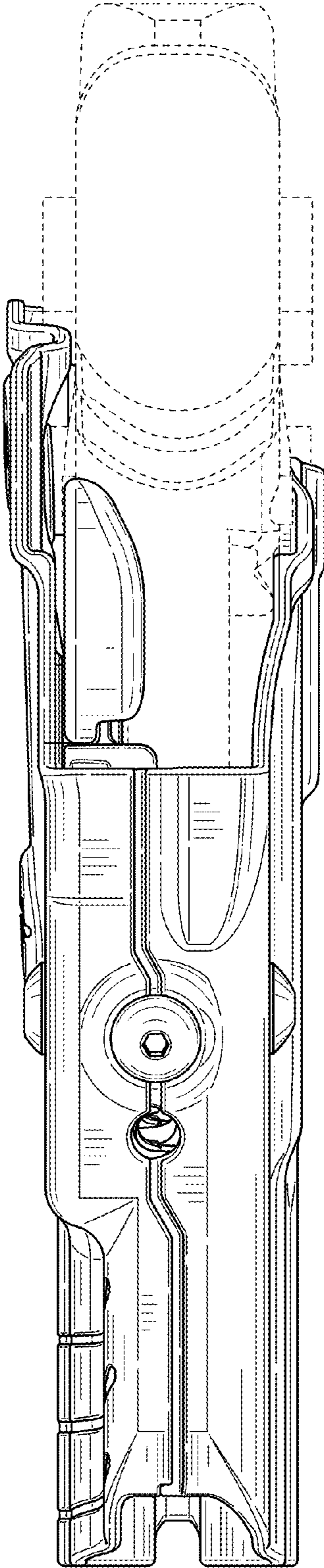


FIG. 7