



US00D784007S

(12) **United States Design Patent**
Sokka et al.

(10) **Patent No.:** **US D784,007 S**

(45) **Date of Patent:** **** Apr. 18, 2017**

(54) **SHEATH FOR GARDENING TOOLS**

(71) Applicant: **Fiskars Garden Oy Ab**, Billnäs (FI)

(72) Inventors: **Mika Sokka**, Billnäs (FI); **Mikko Heine**, Billnäs (FI); **Kari Kunnas**, Billnäs (FI); **Toni Leinvuo**, Billnäs (FI)

(73) Assignee: **FISKARS FINLAND OY AB**, Helsinki (FI)

(**) Term: **15 Years**

(21) Appl. No.: **29/542,987**

(22) Filed: **Oct. 20, 2015**

(51) **LOC (10) Cl.** **03-01**

(52) **U.S. Cl.**
USPC **D3/220**

(58) **Field of Classification Search**
USPC D3/220; 224/197, 232, 242, 245, 576, 224/624, 666, 674, 676, 581; 30/143, 30/391, 504; 206/317, 349, 521, 564; D8/71, 95
CPC B26B 29/025; F41B 13/00; F41B 13/04
See application file for complete search history.

(56) **References Cited**

U.S. PATENT DOCUMENTS

2,859,516 A * 11/1958 McQueary B26B 29/025
224/197

D476,478 S * 7/2003 Kanzawa D3/220
D514,312 S * 2/2006 Kanzawa D3/220
D518,952 S * 4/2006 Tran D3/220
D722,227 S * 2/2015 Blast D3/220
D724,312 S * 3/2015 Wikstrom D3/220

* cited by examiner

Primary Examiner — Catheri Oliver-Garcia

(74) *Attorney, Agent, or Firm* — Leason Ellis LLP

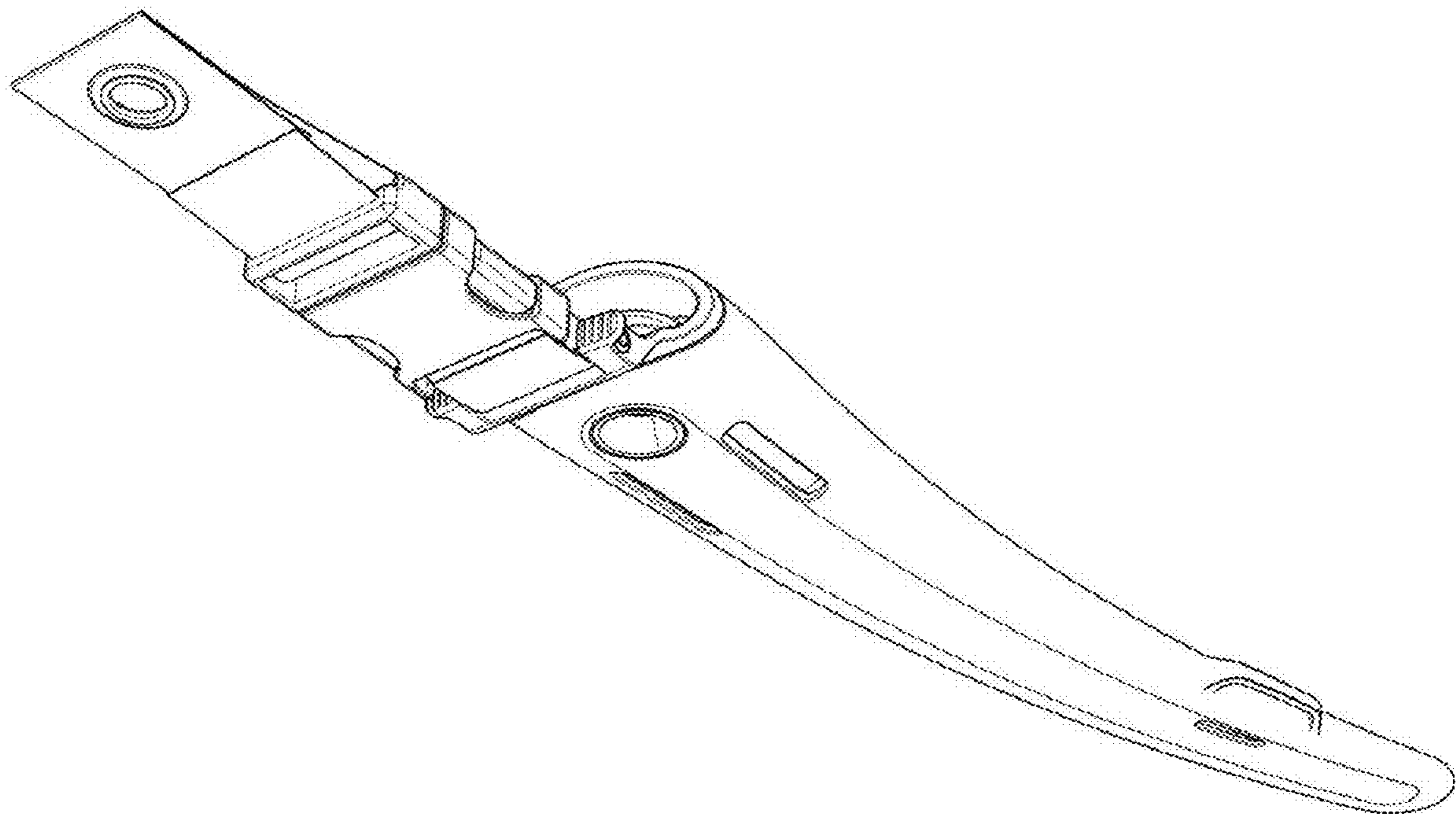
(57) **CLAIM**

The ornamental design for sheath for gardening tools, as shown and described.

DESCRIPTION

FIG. 1 is a rear perspective view of a sheath for gardening tools according to our new design;
FIG. 2 is a rear elevation view of FIG. 1;
FIG. 3 is a front perspective view of FIG. 1;
FIG. 4 is a front elevation view of FIG. 1;
FIG. 5 is a left side view of FIG. 1;
FIG. 6 is a right side view of FIG. 1; and,
FIG. 7 is a bottom view of FIG. 1.

1 Claim, 7 Drawing Sheets



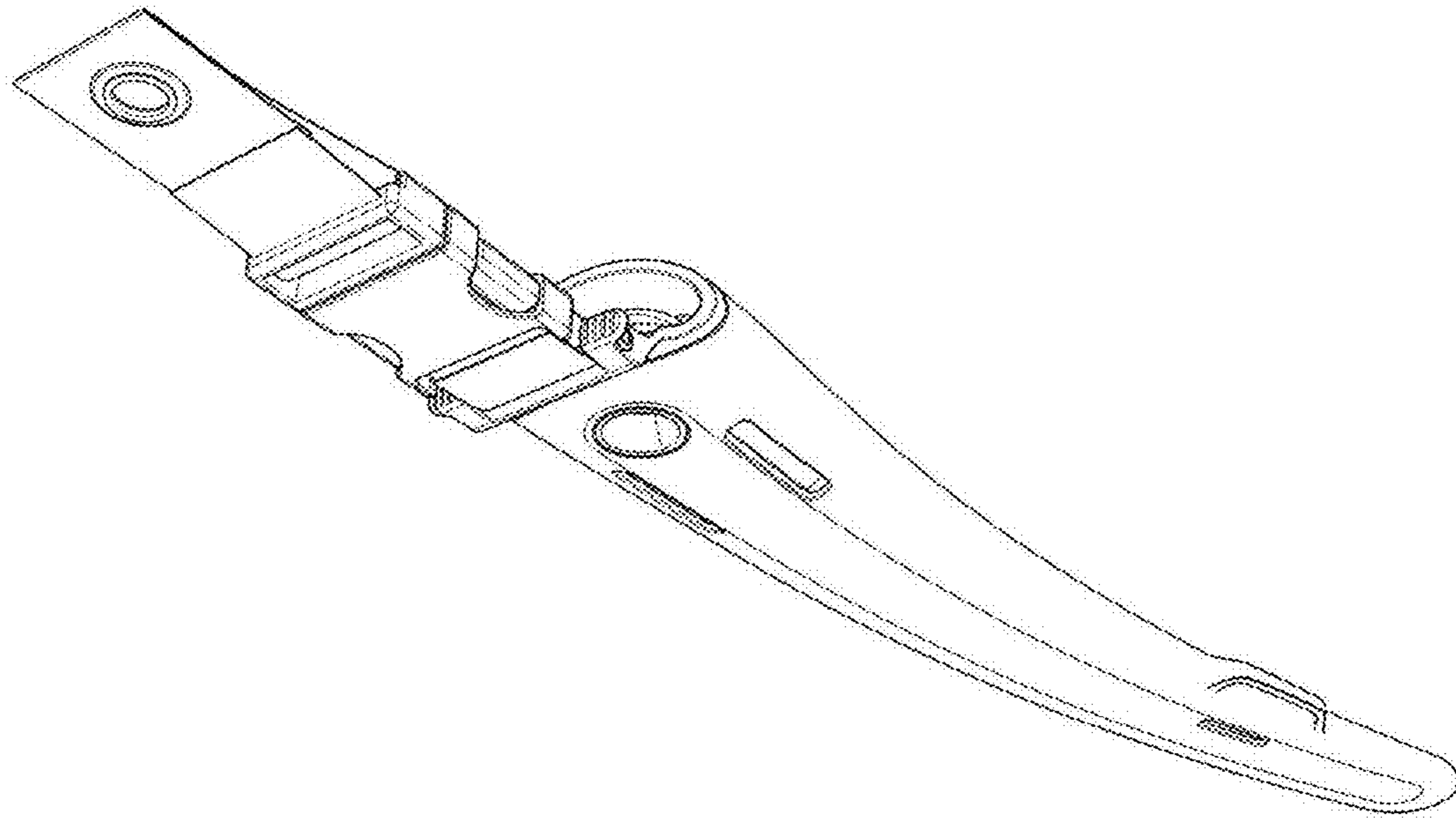


FIG. 1

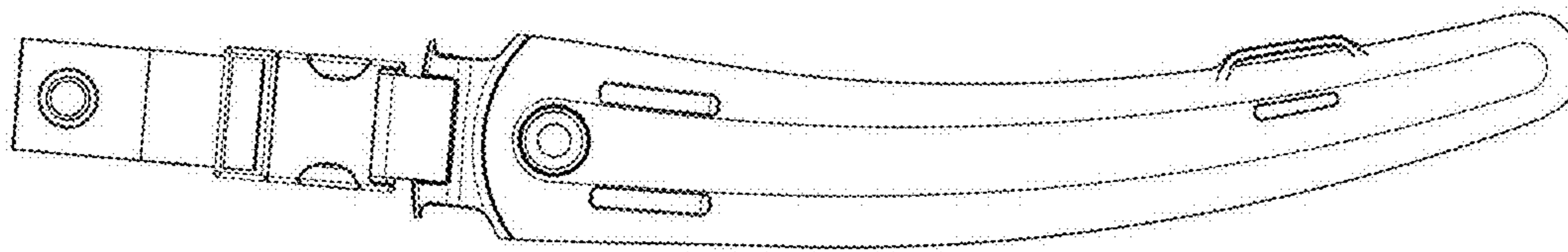


FIG. 2

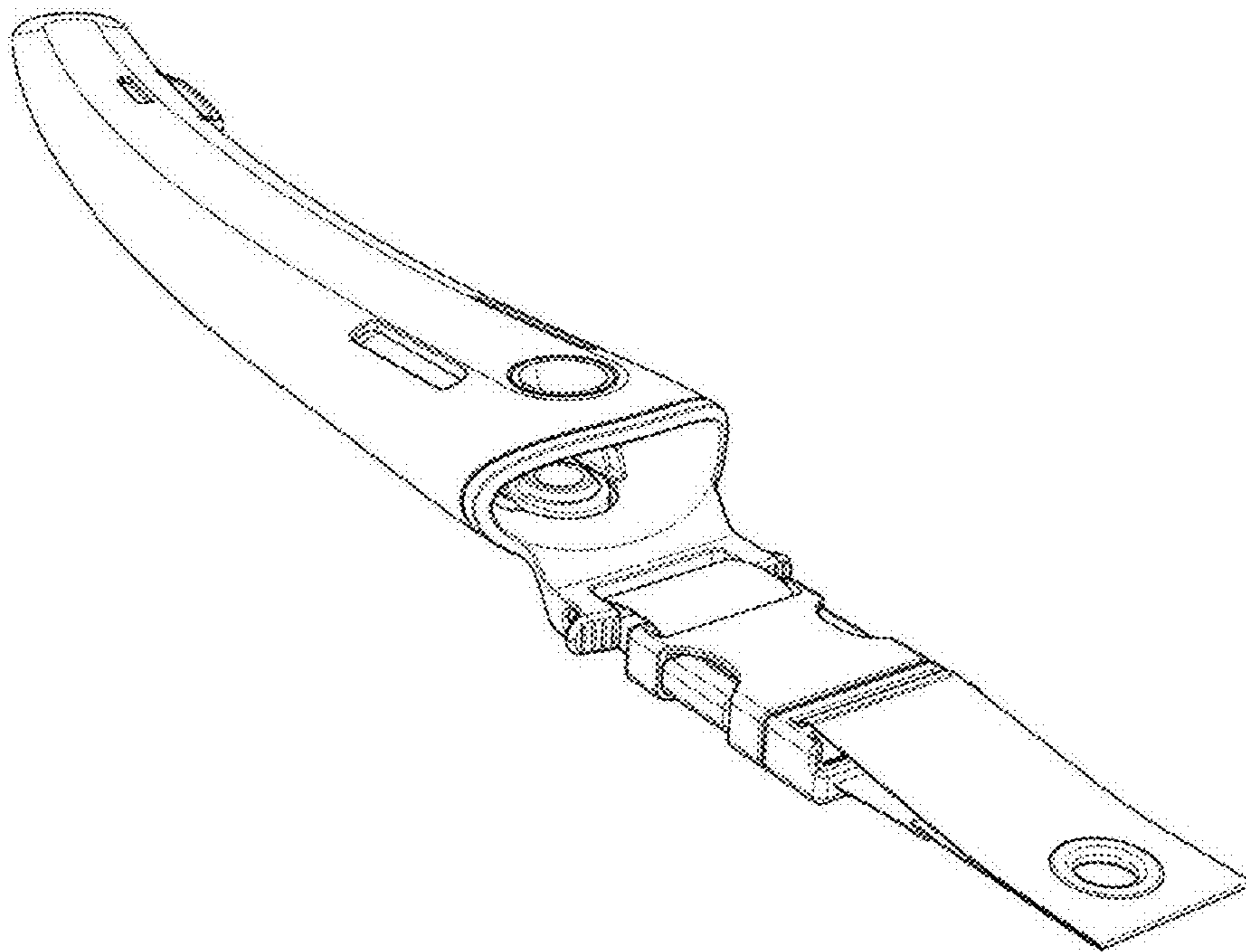


FIG. 3

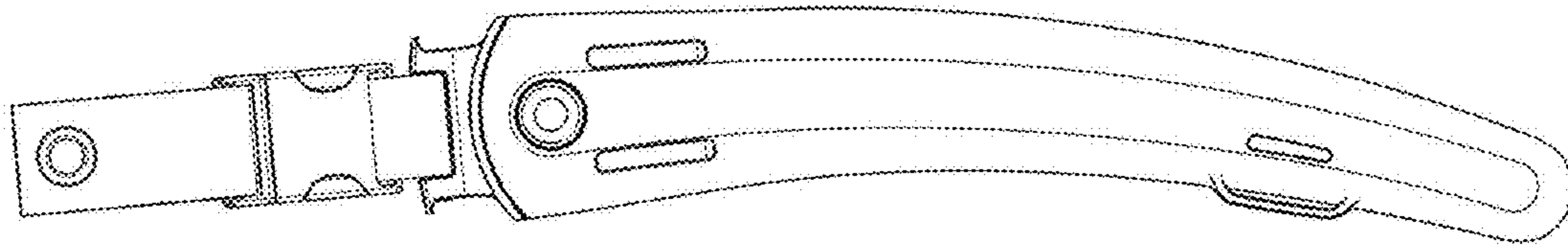


FIG. 4

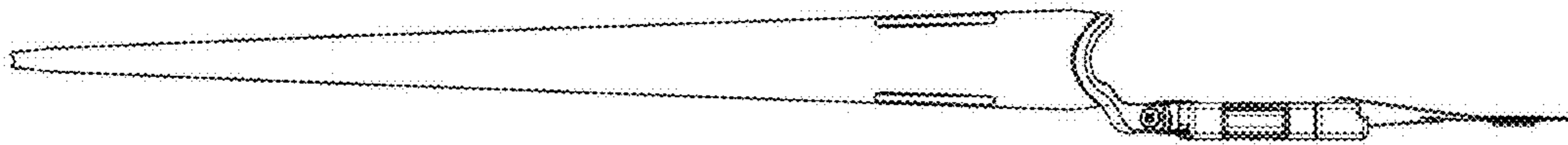


FIG. 5

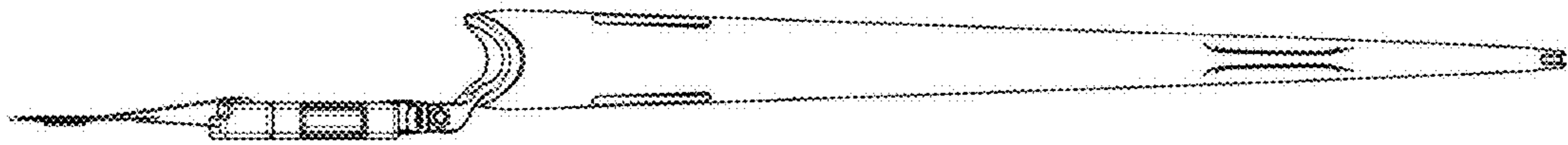


FIG. 6

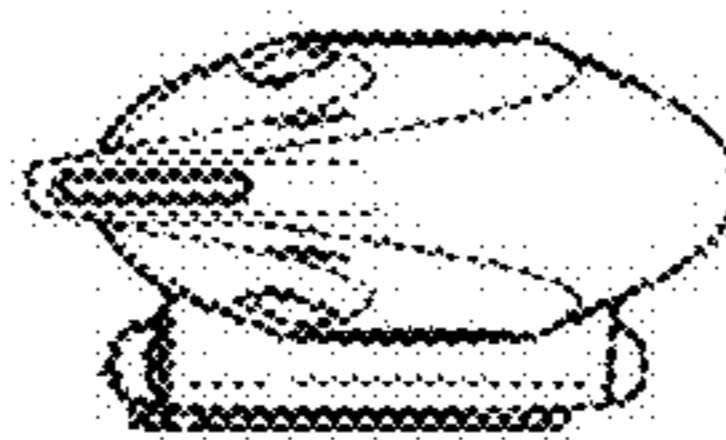


FIG. 7