



US00D784006S

(12) **United States Design Patent**
Banyoya

(10) **Patent No.:** **US D784,006 S**
(45) **Date of Patent:** **** Apr. 18, 2017**

(54) **SMARTPHONE SHOULDER STRAP**
(71) Applicant: **Rodney Banyoya**, Salem, MA (US)
(72) Inventor: **Rodney Banyoya**, Salem, MA (US)
(**) Term: **15 Years**
(21) Appl. No.: **29/545,495**
(22) Filed: **Nov. 13, 2015**
(51) **LOC (10) Cl.** **03-01**
(52) **U.S. Cl.**
USPC **D3/218**
(58) **Field of Classification Search**
USPC D3/218, 215, 201, 219, 224, 226, 228,
D3/205, 269, 303; 224/240-241, 245,
224/578, 674, 676-681, 901, 904,
224/623-624, 626, 587, 601, 605, 930,
224/901.8; 206/305, 320;
455/575.1-575.8; 379/455; D2/627, 631;
D14/253
CPC A45F 5/00; A45F 5/02; A45F 5/021; A45F
5/022; A45F 2005/00; A45F 2005/008;
A45F 2005/006; A45F 2200/05; A45F
2200/0516
See application file for complete search history.

3,648,906 A * 3/1972 Ross A45F 5/00
224/587
D346,495 S * 5/1994 Morrissey D3/218
D370,776 S * 6/1996 Frey 224/624
5,586,704 A * 12/1996 Alexander A45F 5/00
224/605
D490,237 S * 5/2004 Hardge D3/218
D561,464 S * 2/2008 Courtney D3/218
D764,168 S * 8/2016 Hyslop D3/218

* cited by examiner

Primary Examiner — Catheri Oliver-Garcia

(74) *Attorney, Agent, or Firm* — Daniel N. Smith

(56) **References Cited**

U.S. PATENT DOCUMENTS

2,372,971 A * 4/1945 Moore H04R 25/04
224/624

(57) **CLAIM**

The ornamental design for a smartphone shoulder strap, as shown and described.

DESCRIPTION

FIG. 1 illustrates a perspective view of a smartphone shoulder strap showing my new design;
FIG. 2 illustrates a side view thereof;
FIG. 3 illustrates a front view thereof;
FIG. 4 illustrates a rear view thereof;
FIG. 5 illustrates a top view thereof; and,
FIG. 6 illustrates a bottom view thereof.

1 Claim, 4 Drawing Sheets

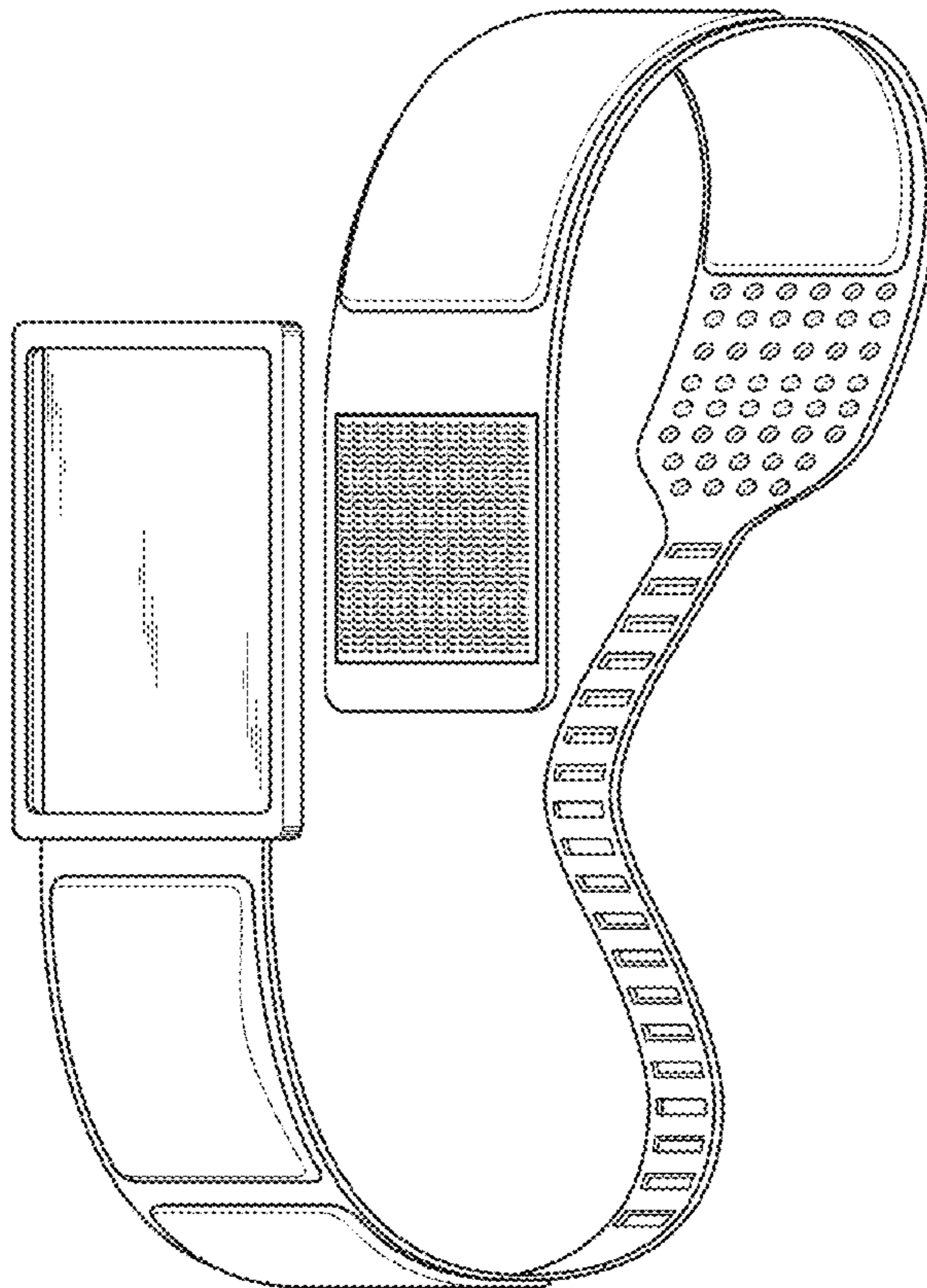


Fig. 1

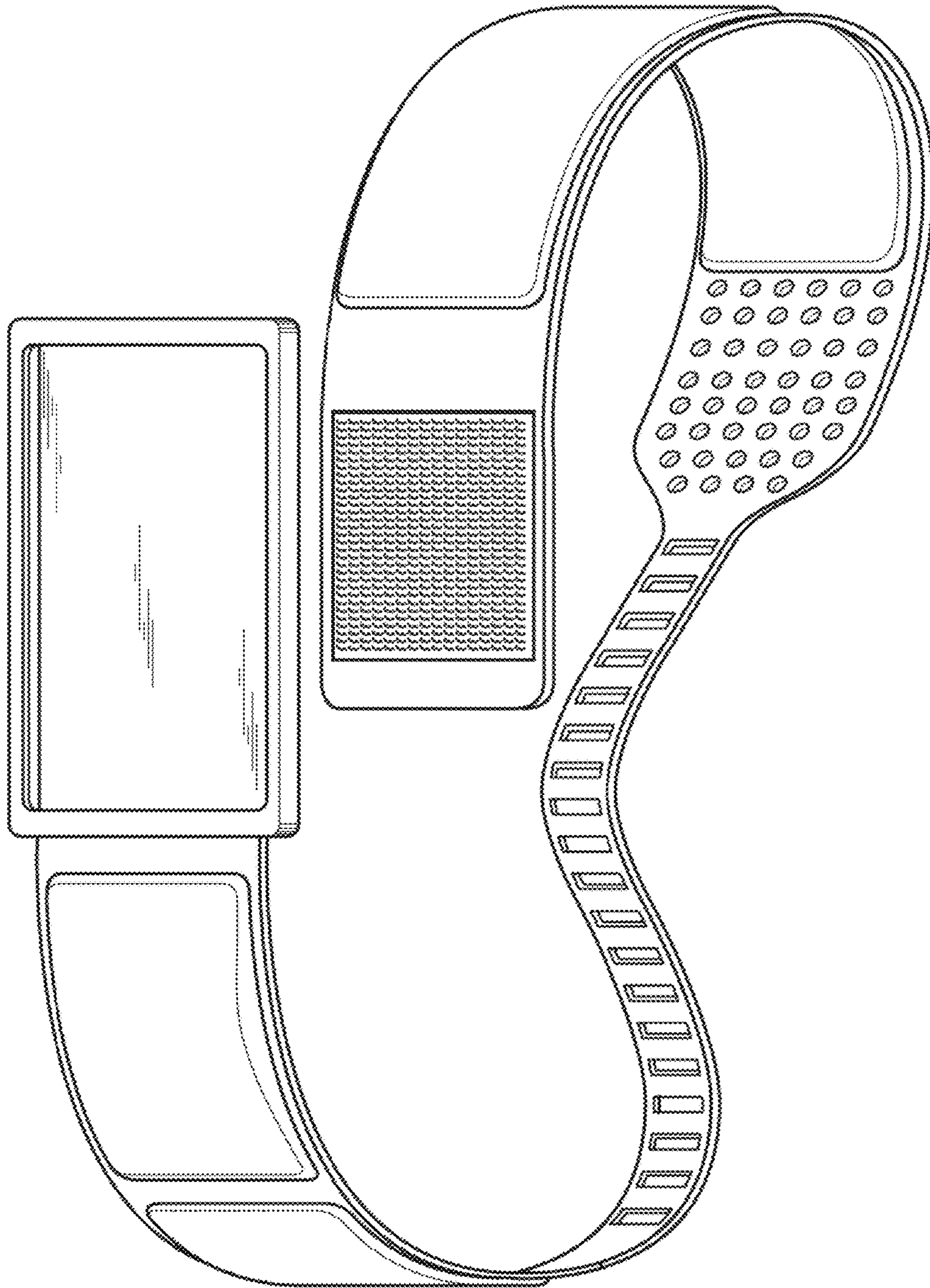


Fig. 2

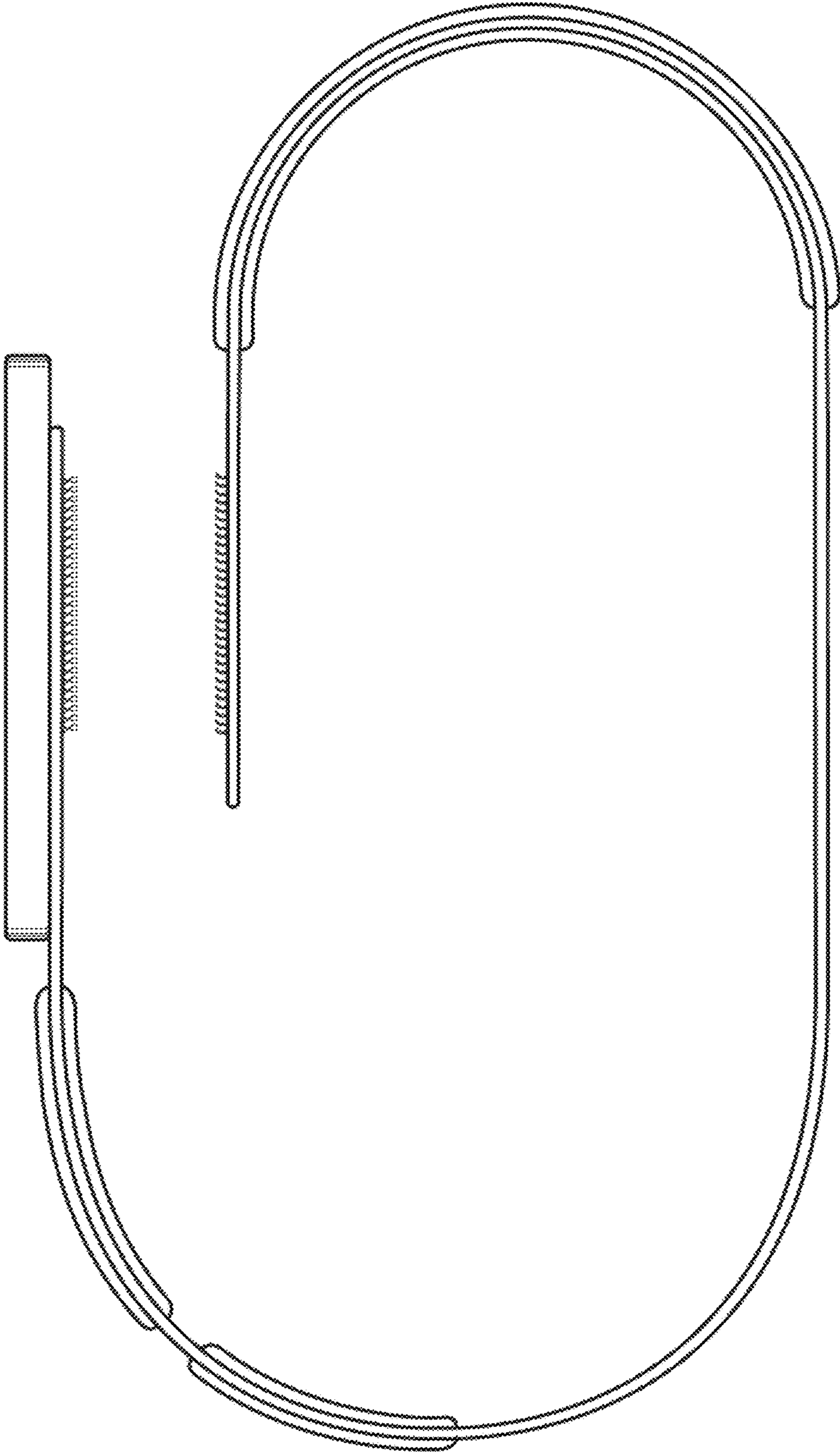


Fig. 3

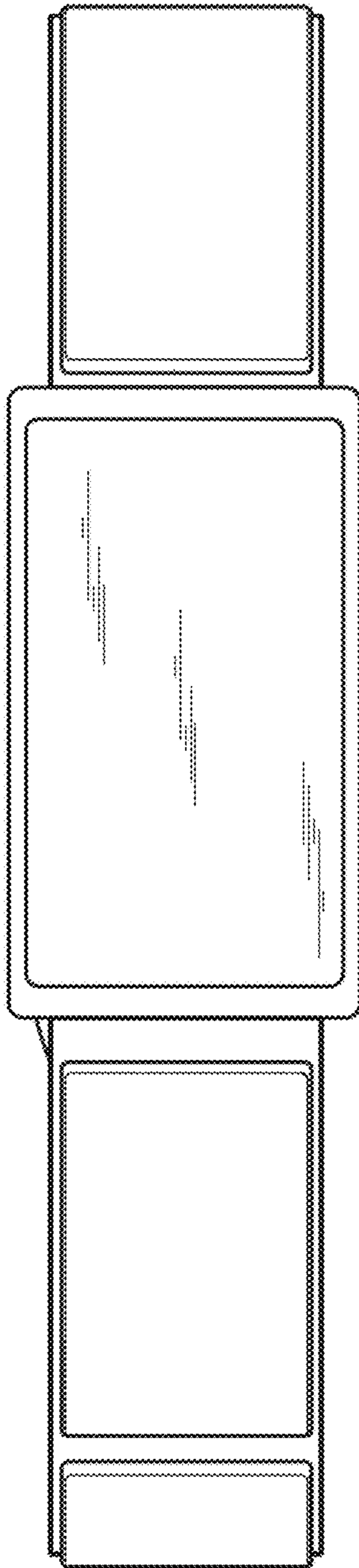


Fig. 4

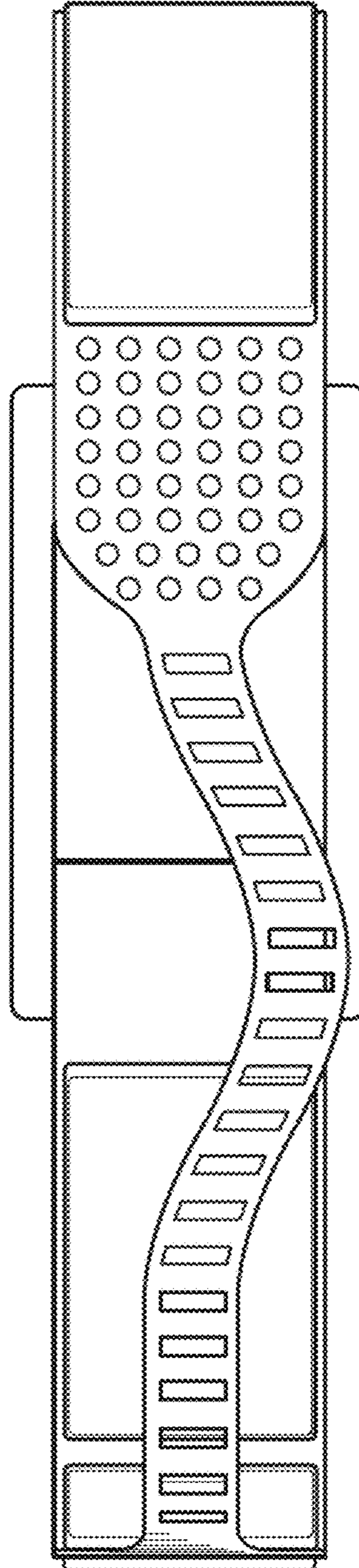


Fig. 5

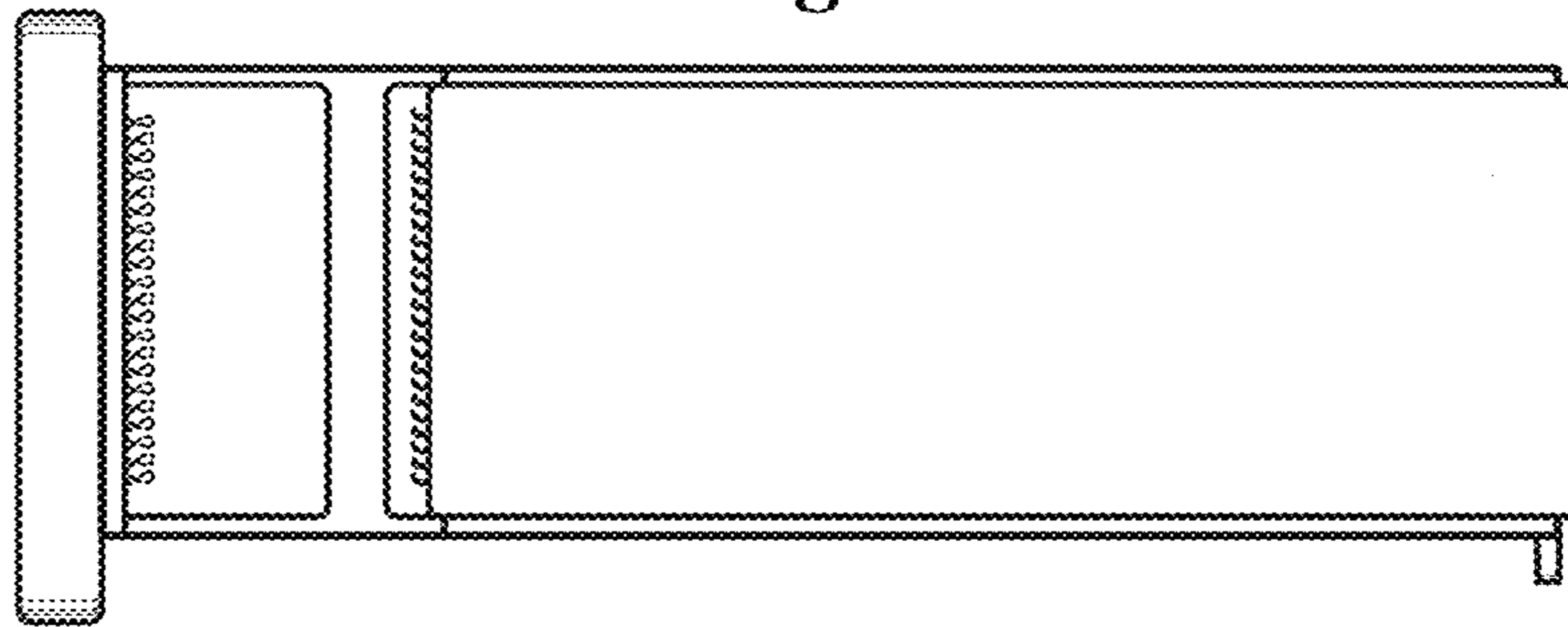


Fig. 6

