



US00D784005S

(12) **United States Design Patent**  
**Zheng et al.**

(10) **Patent No.:** **US D784,005 S**  
(45) **Date of Patent:** **\*\* Apr. 18, 2017**

(54) **BACKPACK**

FOREIGN PATENT DOCUMENTS

(71) Applicant: **SHANGHAI CONWOOD INTERNATIONAL CO., LTD.**,  
Shanghai (CN)

CN	3627315	4/2007
CN	300811057	8/2008
CN	301267190 S	6/2010
CN	302208157 S	12/2012
CN	302684364 S	12/2013
CN	302732681 S	2/2014
CN	302775608 S	4/2014
CN	302832258 S	6/2014

(72) Inventors: **Xuefeng Zheng**, Shanghai (CN); **Weijie Cheng**, Shanghai (CN); **Tongzhou Wan**, Shanghai (CN); **Zhonghua Wu**, Shanghai (CN)

\* cited by examiner

(73) Assignee: **SHANGHAI CONWOOD INTERNATIONAL CO., LTD.**,  
Shanghai (CN)

*Primary Examiner* — Catheri Oliver-Garcia

(\*\*) Term: **14 Years**

(74) *Attorney, Agent, or Firm* — Rabin & Berdo, P.C.

(21) Appl. No.: **29/516,726**

(57) **CLAIM**

(22) Filed: **Feb. 5, 2015**

The ornamental design for a backpack, as shown and described.

(51) **LOC (10) Cl.** ..... **03-01**

(52) **U.S. Cl.**

USPC ..... **D3/216; D3/217**

(58) **Field of Classification Search**

USPC ..... D3/213–217, 259, 231, 233–234, 238,  
D3/244; 224/153, 652–653, 159–160,  
224/262, 631–632, 635, 637, 641, 663  
CPC ... A45C 13/08; A45C 13/083; A45C 13/1023;  
A45C 13/003; A45C 3/12; A45F 3/04;  
A45F 3/042; A45F 3/047; A45F 3/08;  
A45F 3/10; A45F 3/14; A45F 4/02; A45F  
4/08; A45F 2003/045

See application file for complete search history.

**DESCRIPTION**

FIG. 1 is a rear perspective view of a backpack showing my new design;

FIG. 2 is a front view thereof;

FIG. 3 is a rear view thereof;

FIG. 4 is a right side view thereof;

FIG. 5 is a left side view thereof;

FIG. 6 is a top plan view thereof; and,

FIG. 7 is a bottom plan view thereof.

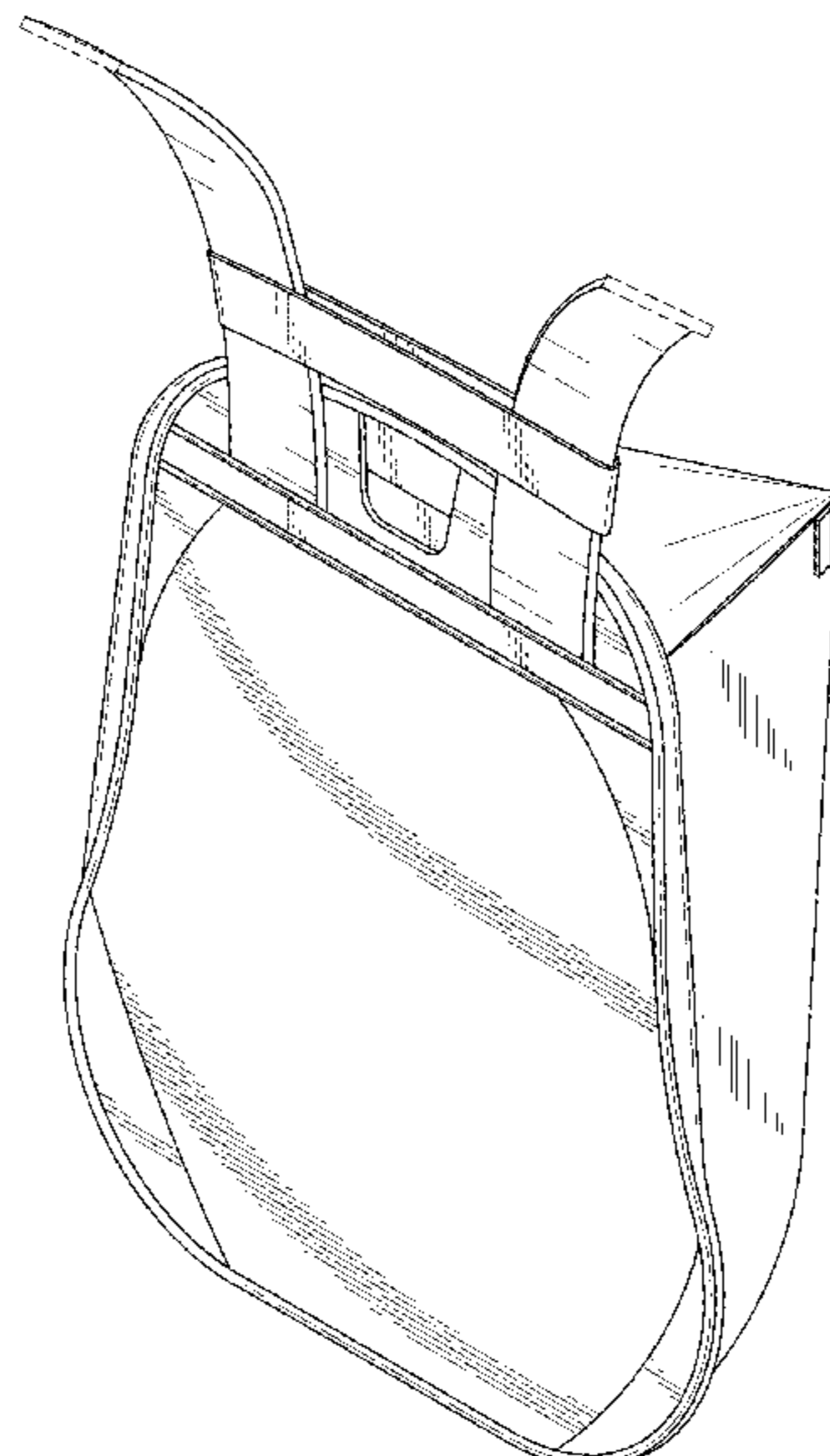
The broken lines depict environmental structure and form no part of the claimed design.

(56) **References Cited**

U.S. PATENT DOCUMENTS

5,509,589 A *	4/1996	Kliot	.....	A45C 3/12 224/637
D660,584 S *	5/2012	Cross	.....	D3/216
D722,430 S *	2/2015	Sagan	.....	D3/216
D726,405 S *	4/2015	Nassanian	.....	D3/216

**1 Claim, 6 Drawing Sheets**



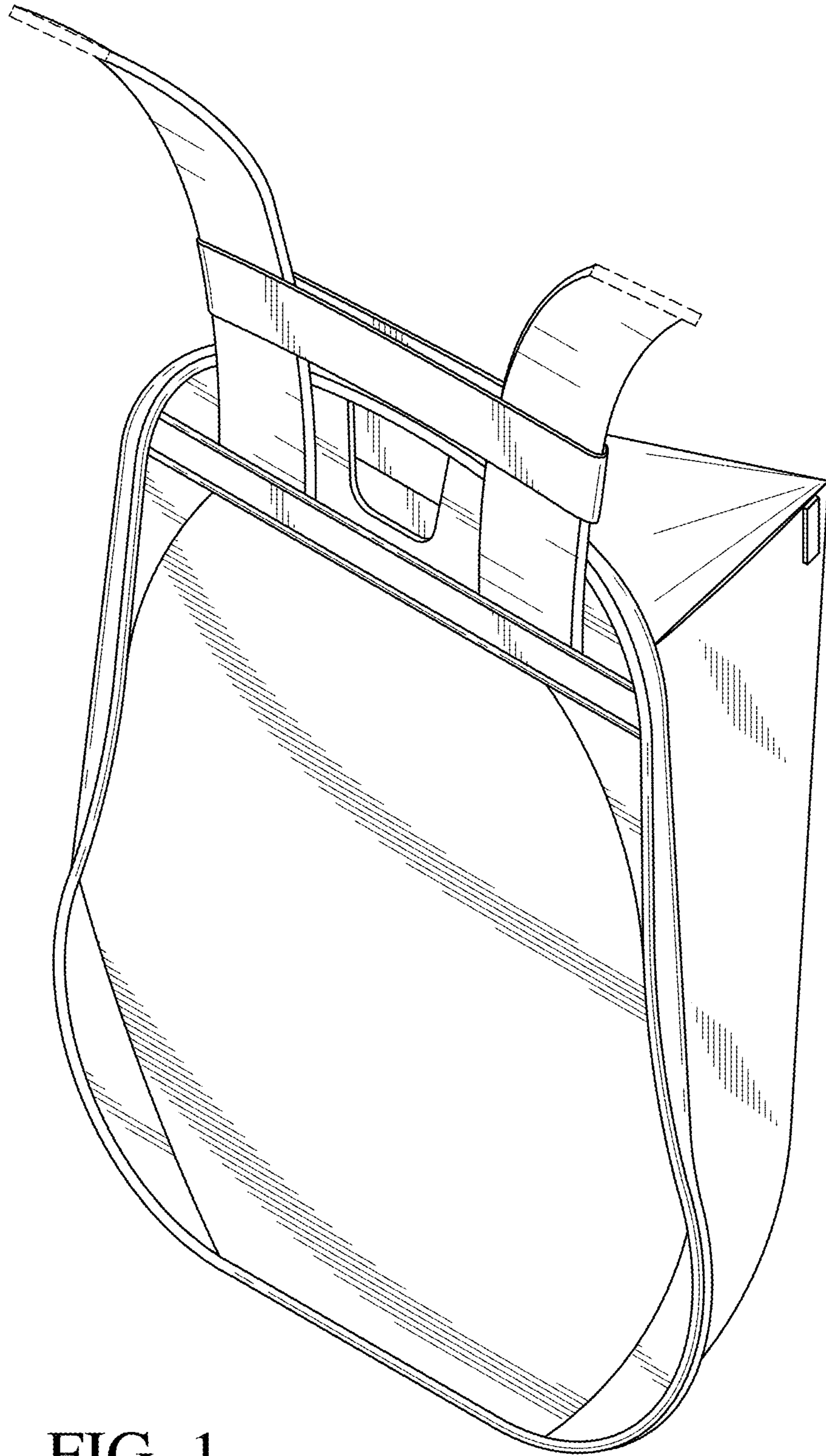


FIG. 1

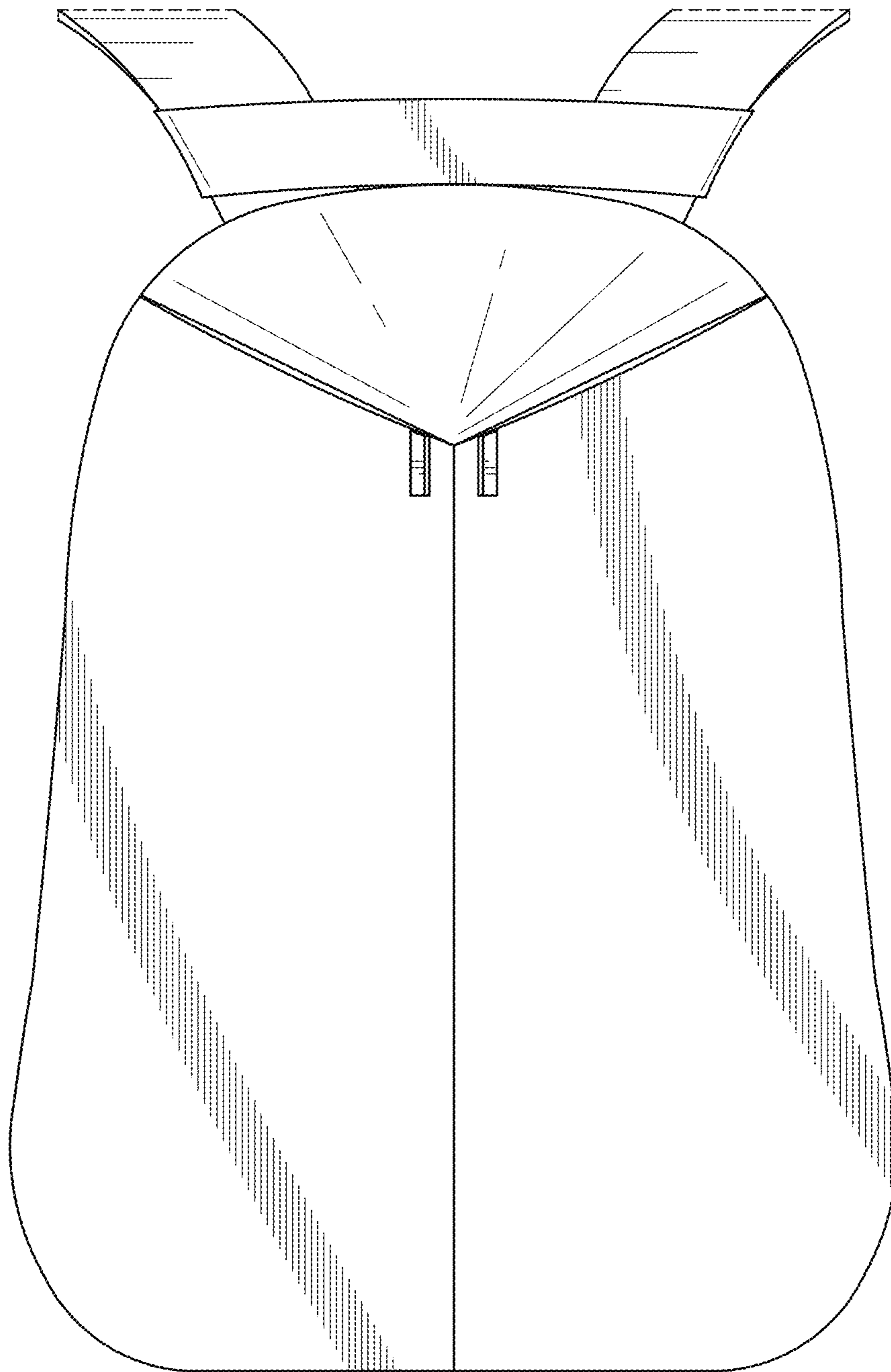


FIG. 2

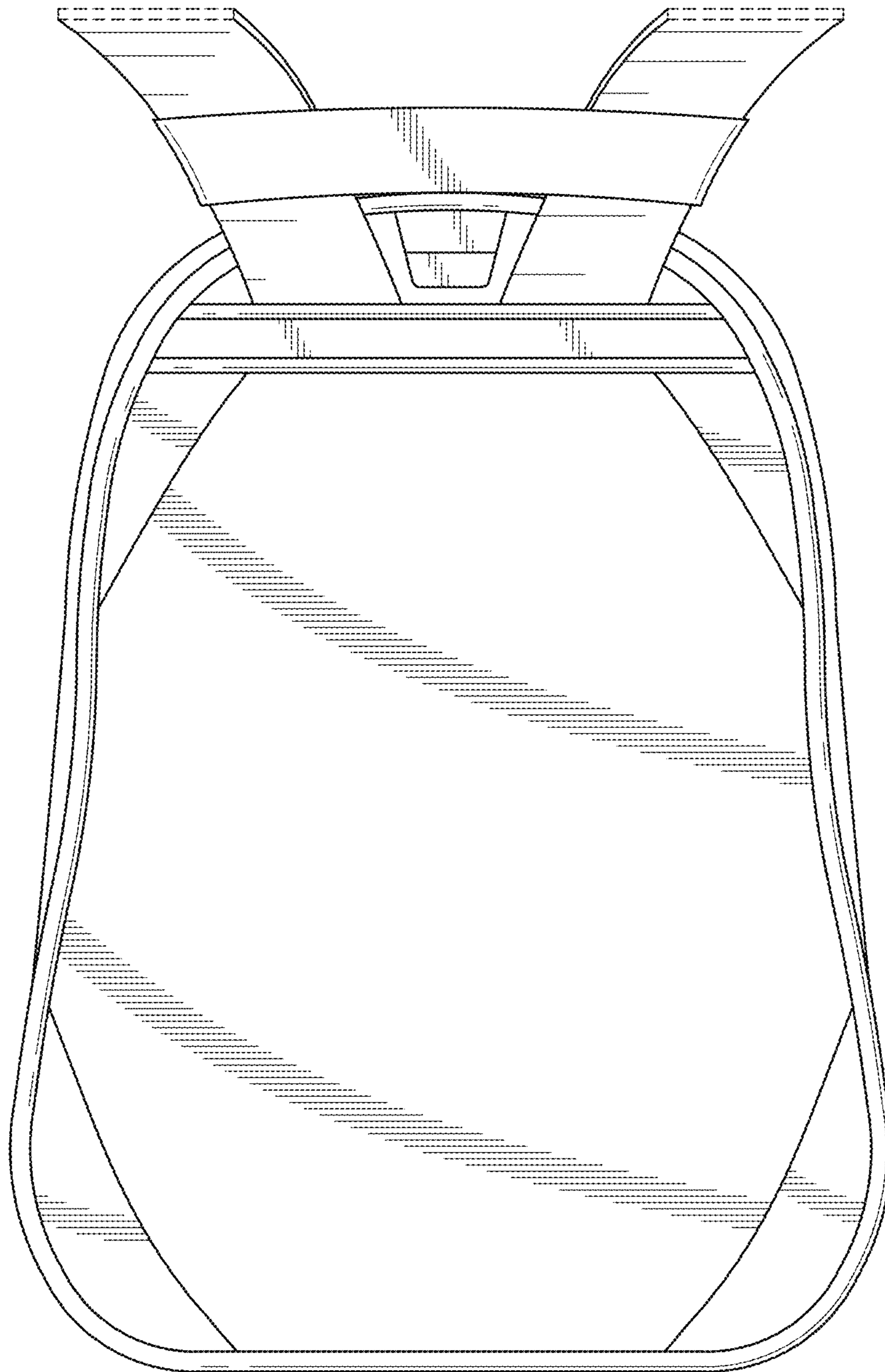


FIG. 3

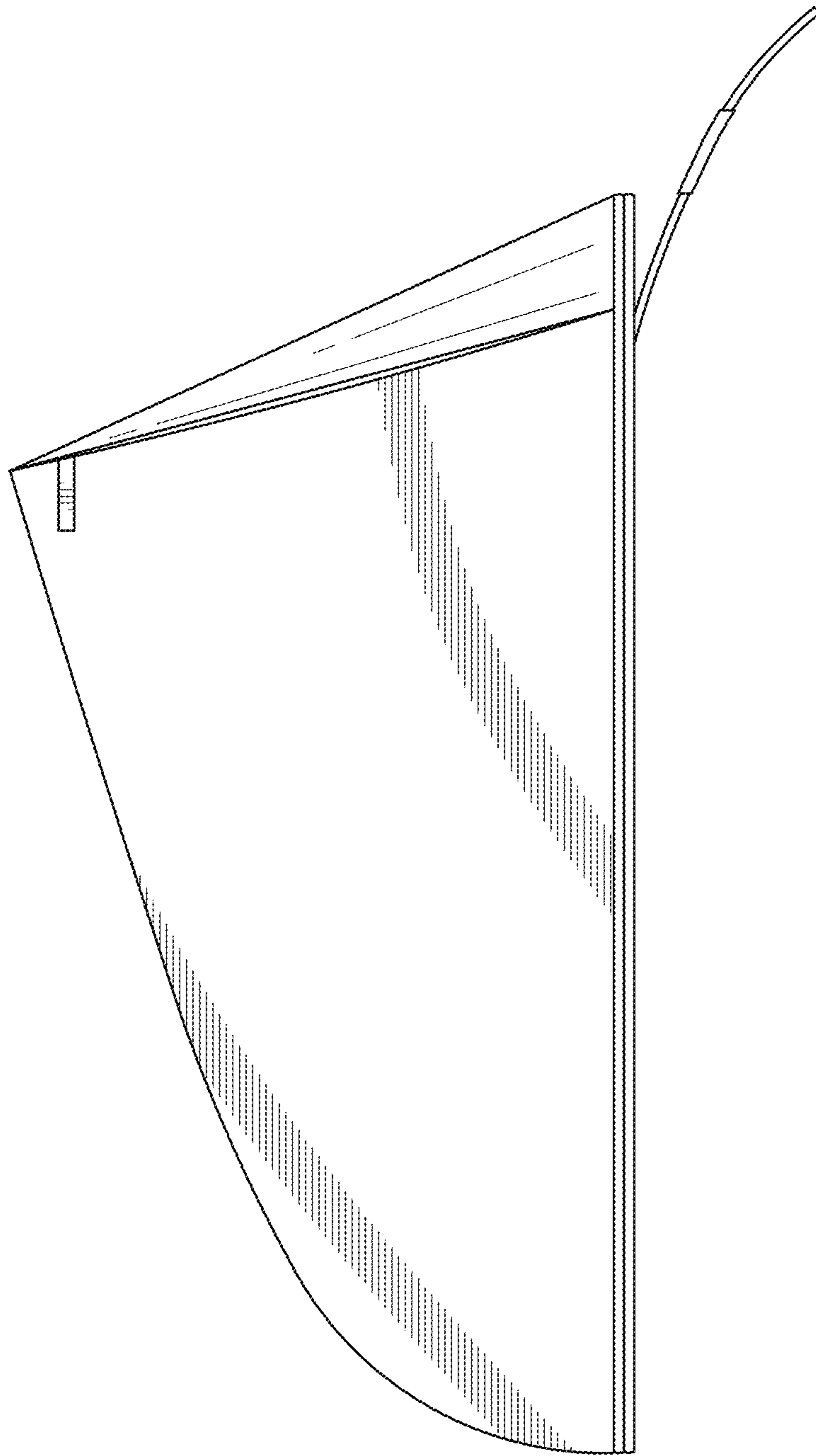


FIG. 4

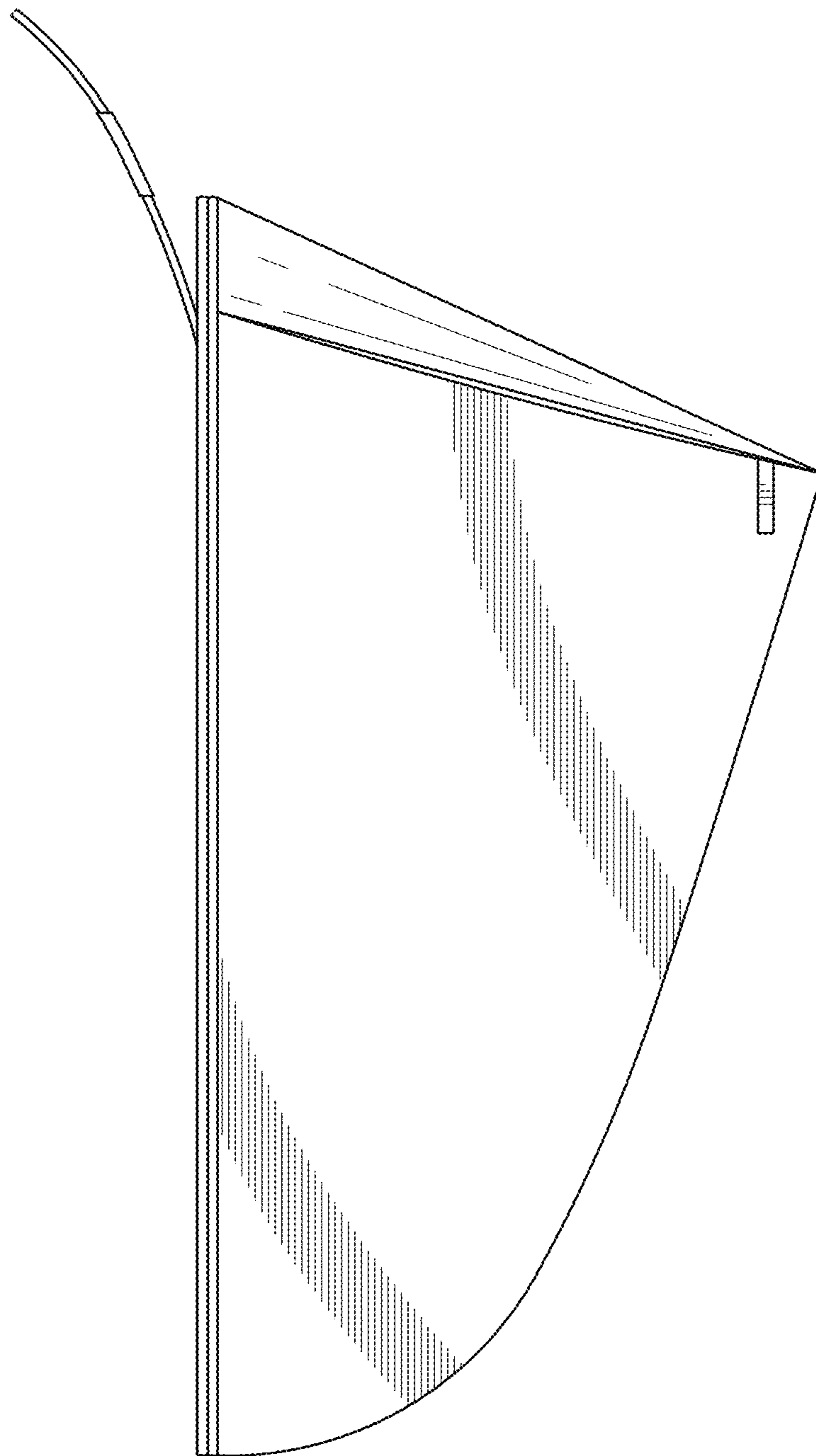


FIG. 5

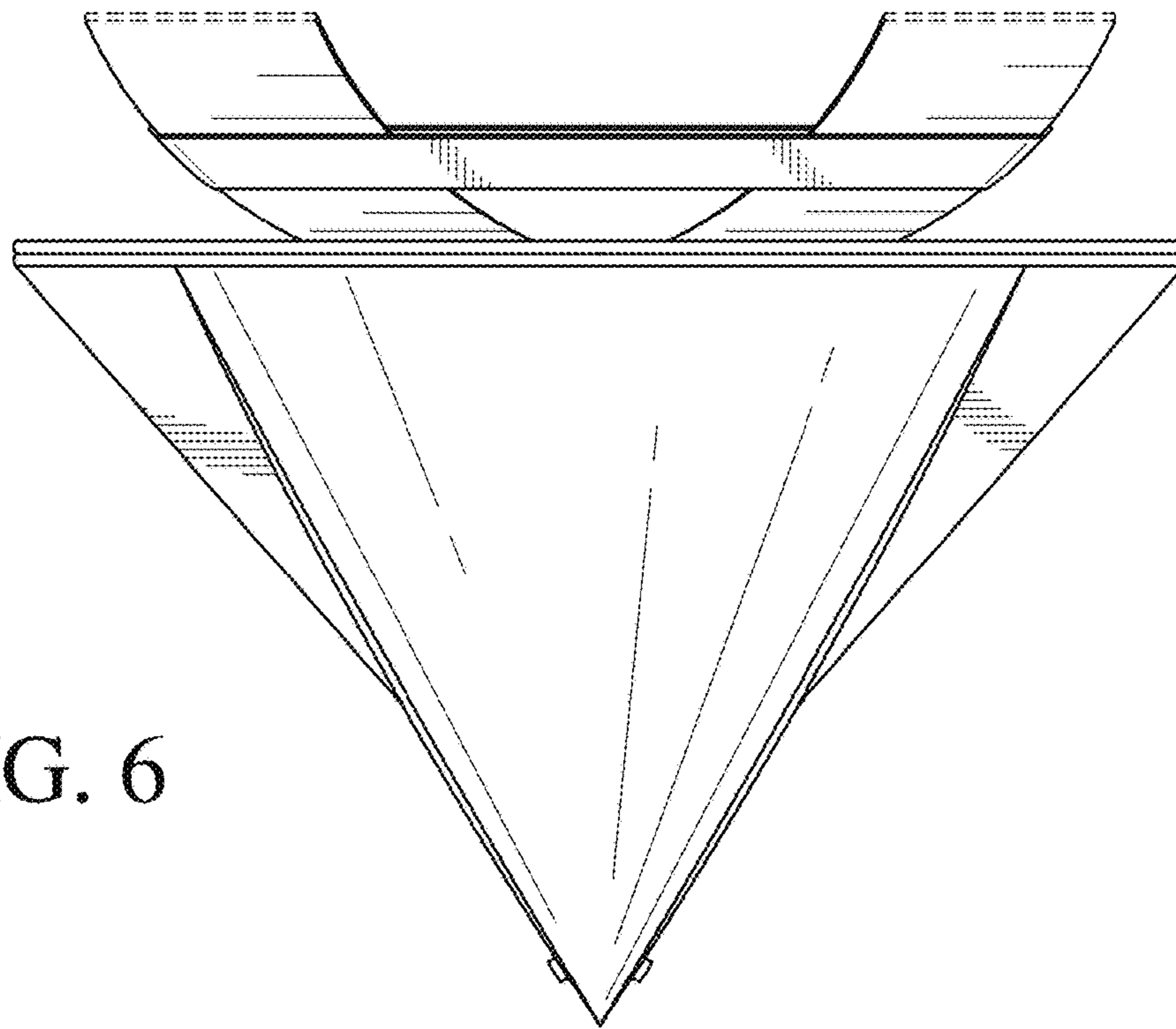


FIG. 6

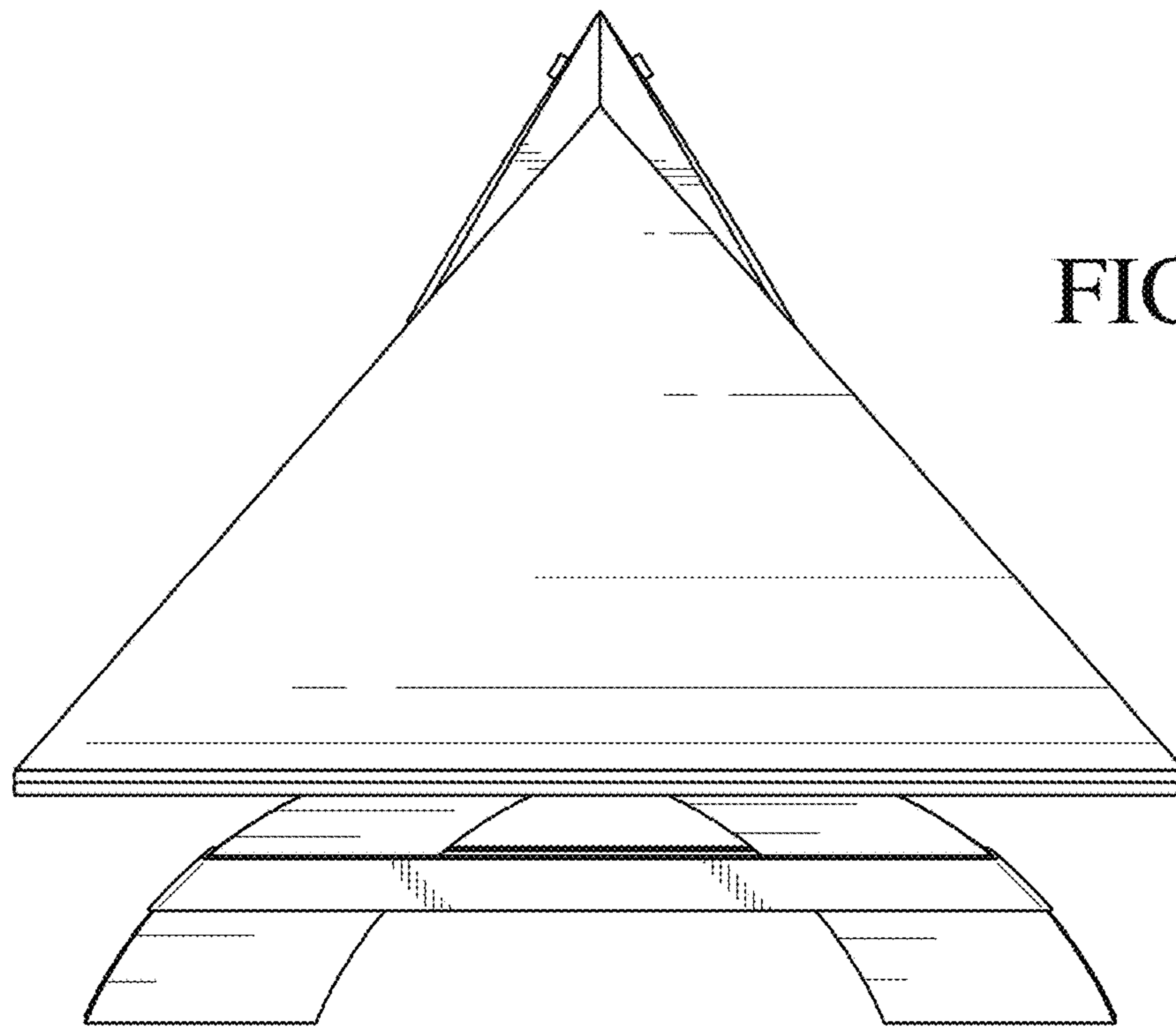


FIG. 7