



US00D783977S

(12) **United States Design Patent**
Raysse

(10) **Patent No.:** **US D783,977 S**
(45) **Date of Patent:** **** Apr. 18, 2017**

(54) **SHOE UPPER**

(71) Applicant: **Skechers U.S.A., Inc. II**, Manhattan Beach, CA (US)

(72) Inventor: **David Raysse**, Los Angeles, CA (US)

(73) Assignee: **SKECHERS U.S.A., INC. II**, Manhattan Beach, CA (US)

(**) Term: **15 Years**

(21) Appl. No.: **29/574,556**

(22) Filed: **Aug. 16, 2016**

Related U.S. Application Data

(62) Division of application No. 29/561,300, filed on Apr. 14, 2016, now Pat. No. Des. 772,547.

(51) **LOC (10) Cl.** **02-99**

(52) **U.S. Cl.**
USPC **D2/969**

(58) **Field of Classification Search**
USPC D2/902, 906-908, 919, 920, 923, 944,
D2/969, 972-974, 977
CPC ... A43B 13/181; A43B 13/141; A43B 13/186;
A43B 13/188; A43B 23/00; A43B 23/02;
A43B 5/00; A43B 23/26; A43B 1/04;
A43B 11/14; A43B 7/00; A43C 1/00;
A43C 11/00

See application file for complete search history.

(56) **References Cited**

U.S. PATENT DOCUMENTS

D107,962 S *	1/1938	Lanz	D2/923
D153,256 S	4/1949	Braga		
D176,339 S	12/1955	Joyce		
D186,155 S *	9/1959	Bianchini	D2/923
D245,127 S *	7/1977	Fukuoka	D2/923
D246,943 S	1/1978	Fukuoka		

D246,944 S	1/1978	Fukuoka		
D248,511 S	7/1978	Fukuoka		
D297,481 S	9/1988	Mourad et al.		
D315,054 S	3/1991	Hatfield		
D325,118 S	4/1992	Smith		
D345,460 S	3/1994	Ryder		
D358,702 S	5/1995	Edwards		
D402,454 S	12/1998	Kelchak		
D407,542 S	4/1999	Koh		
D413,013 S	8/1999	Koh		
D435,959 S *	1/2001	Akhidime	D2/902
D439,729 S	4/2001	Mastroianni et al.		
D458,442 S *	6/2002	Matis	D2/903
D466,276 S	12/2002	Tomczak		
D472,040 S *	3/2003	Koo	D2/972
D499,863 S	12/2004	Sakai et al.		
D500,404 S	1/2005	Robbins		
D546,543 S *	7/2007	DiTullo, Jr.	D2/972
D550,933 S	9/2007	Hulbert		

(Continued)

Primary Examiner — Dominic Simone

(74) *Attorney, Agent, or Firm* — Marshall A. Lerner; Marvin H. Kleinberg; Kleinberg & Lerner, LLP

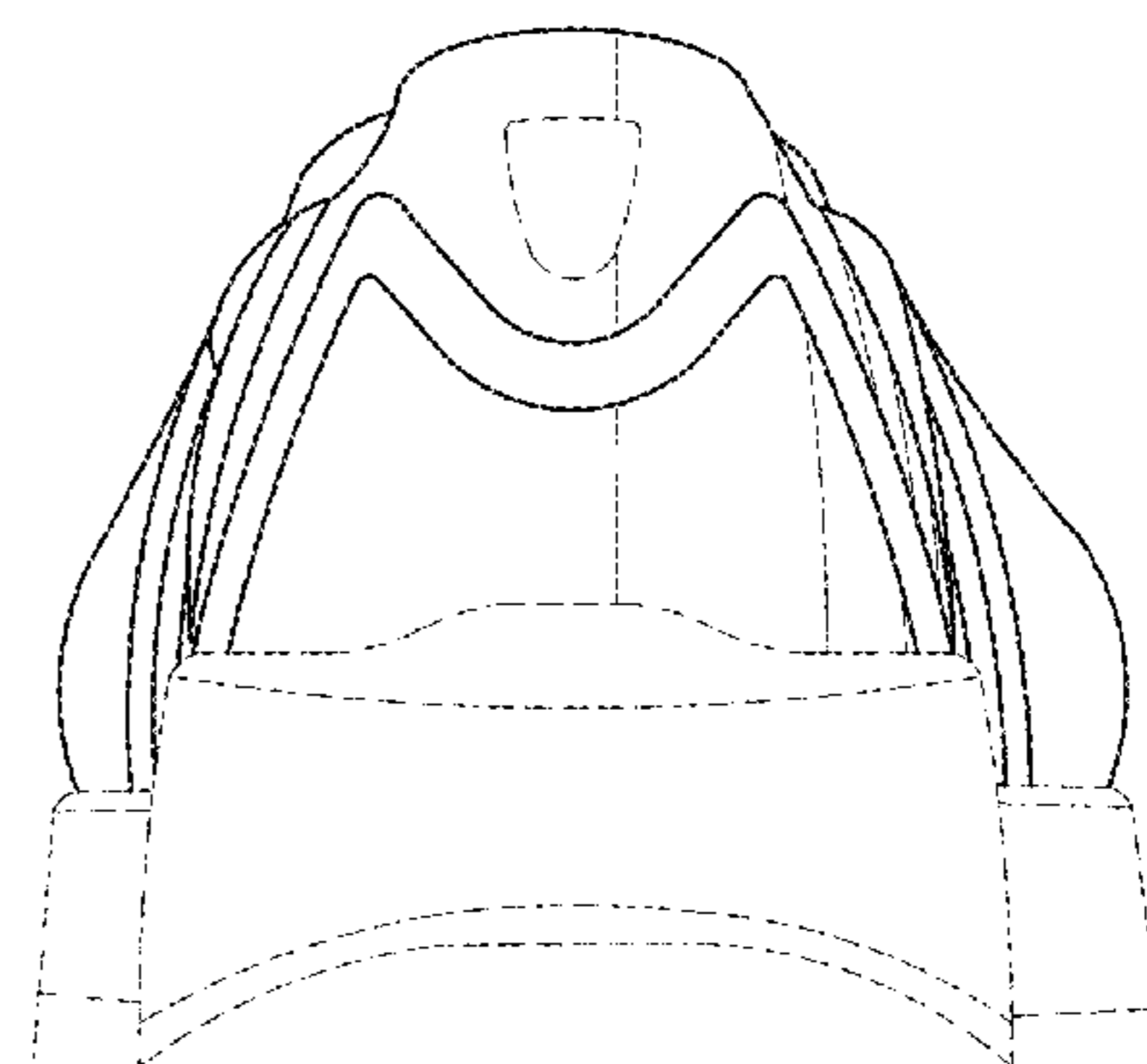
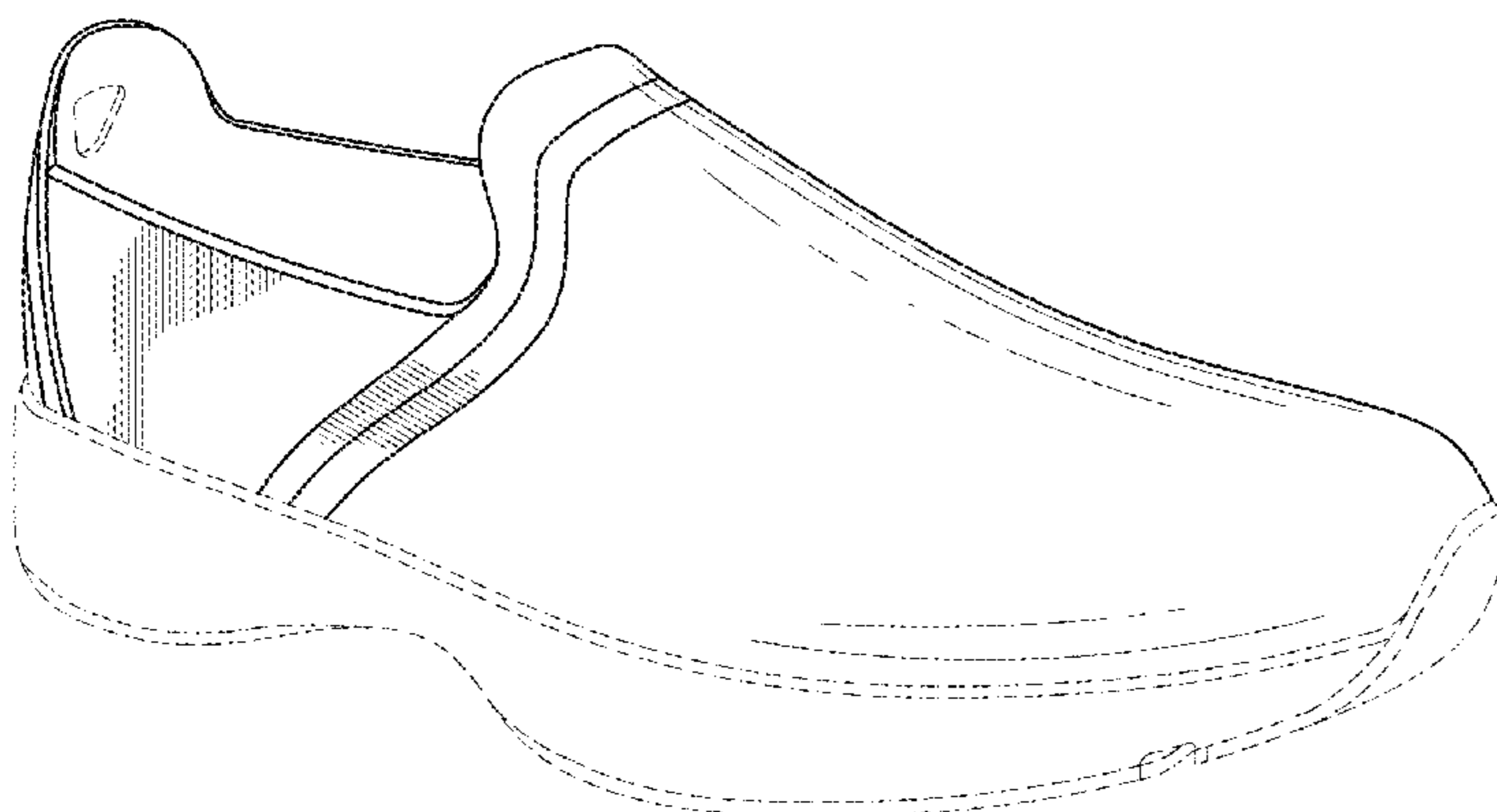
(57) **CLAIM**

The ornamental design for a shoe upper, as shown and described.

DESCRIPTION

FIG. 1 is a perspective view of a shoe upper in accordance with my new design.
FIG. 2 is a left side view thereof;
FIG. 3 is a right side view thereof;
FIG. 4 is a top plan view thereof;
FIG. 5 is a bottom plan view thereof;
FIG. 6 is a rear elevation view thereof; and,
FIG. 7 is a front elevation view.
Broken lines showing the remainder of the shoe in the figures are for illustrative purposes only and form no part of the claimed invention.

1 Claim, 6 Drawing Sheets



(56)

References Cited

U.S. PATENT DOCUMENTS

D560,331 S	1/2008	Cohen	
D564,185 S	3/2008	Cohen	
D564,186 S	3/2008	Cohen	
D574,135 S *	8/2008	Weisbly	D2/969
D577,890 S	10/2008	Horne et al.	
D577,892 S	10/2008	St-Louis et al.	
D581,644 S	12/2008	Roy	
D595,039 S	6/2009	Matis	
D609,885 S	2/2010	Briggs	
D626,737 S *	11/2010	Dean	D2/923
D636,568 S *	4/2011	McMillan	D2/946
D638,615 S *	5/2011	McMillan	D2/946
D639,537 S	6/2011	Countee et al.	
D648,513 S	11/2011	McVicker et al.	
D654,255 S	2/2012	Amzallag	
D660,569 S	5/2012	Abramowitz	
D661,884 S	6/2012	Raysse	
D666,799 S	9/2012	Now	
D685,170 S	7/2013	Raysse	
D688,446 S *	8/2013	Raysse	D2/923
D705,530 S *	5/2014	Teteriatnikov	D2/974
D723,788 S *	3/2015	Raysse	D2/969
D725,896 S	4/2015	MacMaster	
D744,224 S *	12/2015	de Montgolfier	D2/972
D745,258 S *	12/2015	Raysse	D2/969
D747,864 S	1/2016	MacMaster	
D749,831 S	2/2016	Gewirz et al.	
D772,547 S *	11/2016	Raysse	D2/969

* cited by examiner

FIG. 1

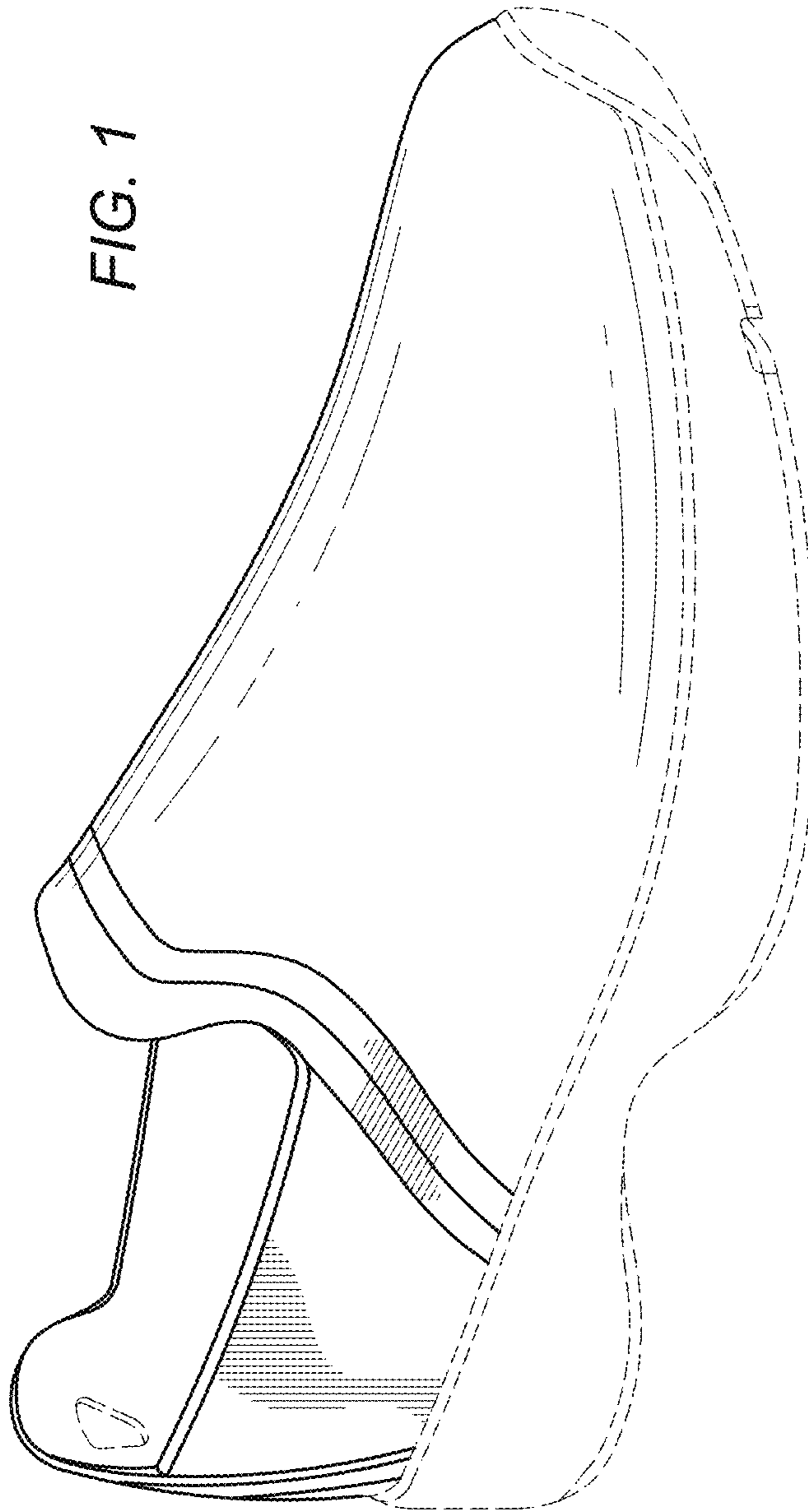
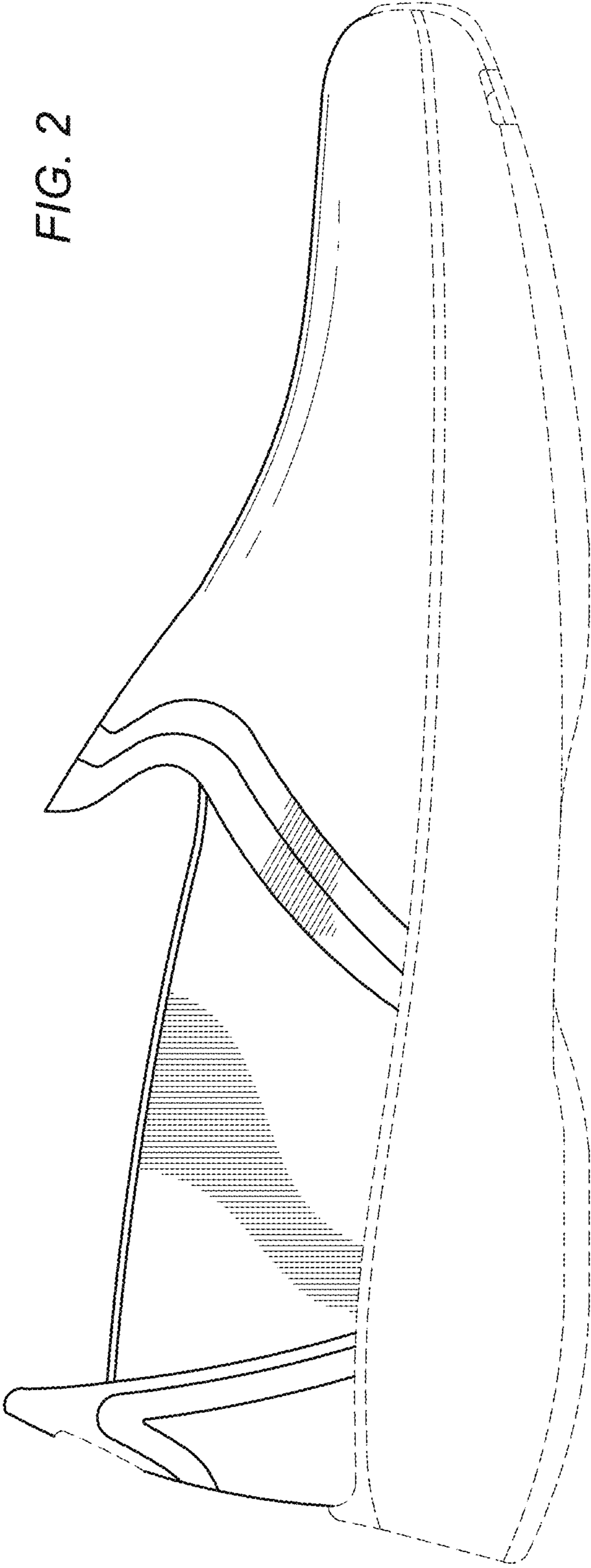


FIG. 2



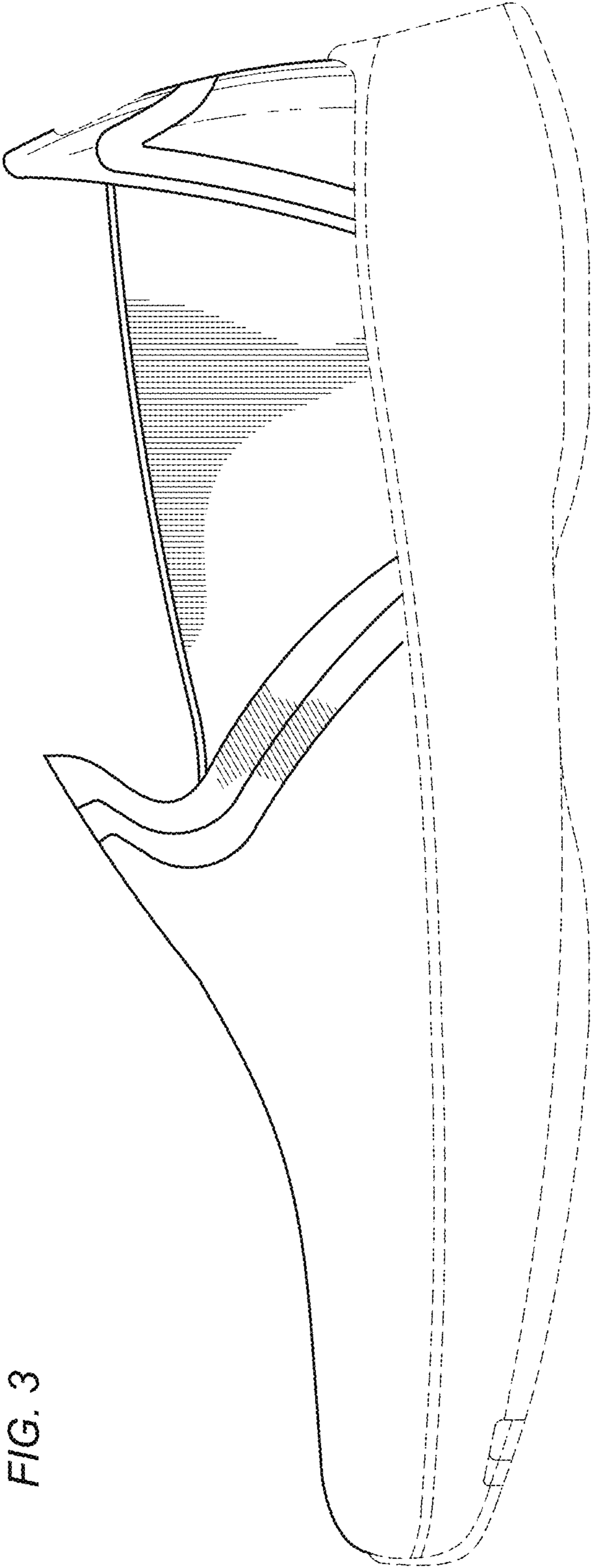


FIG. 3

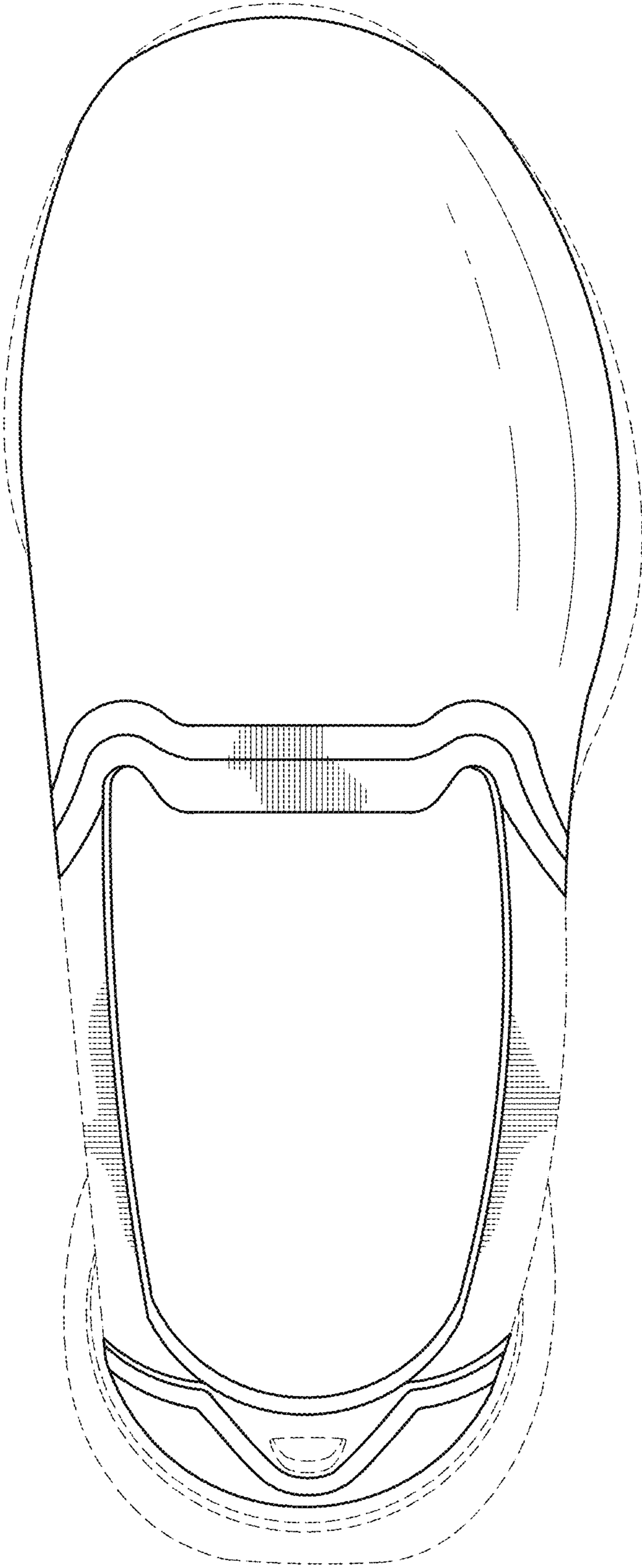


FIG. 4

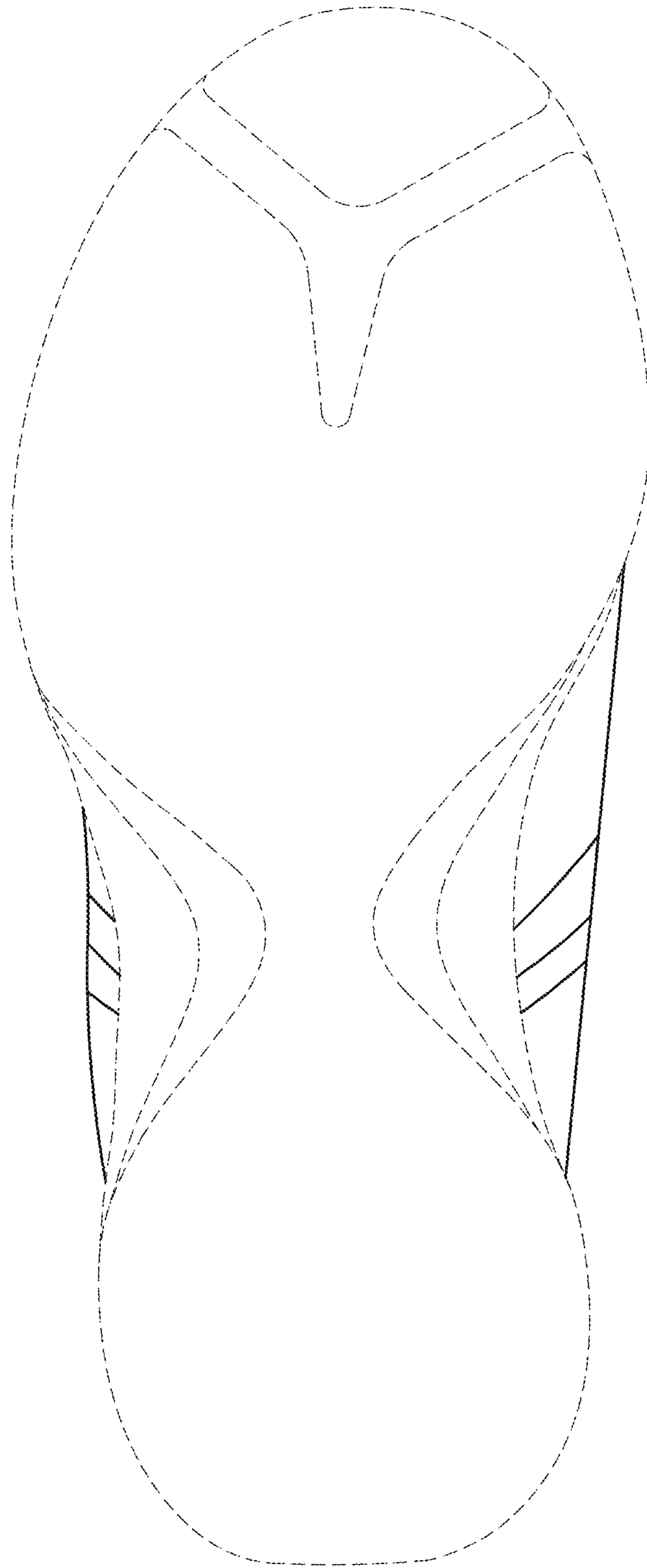


FIG. 5

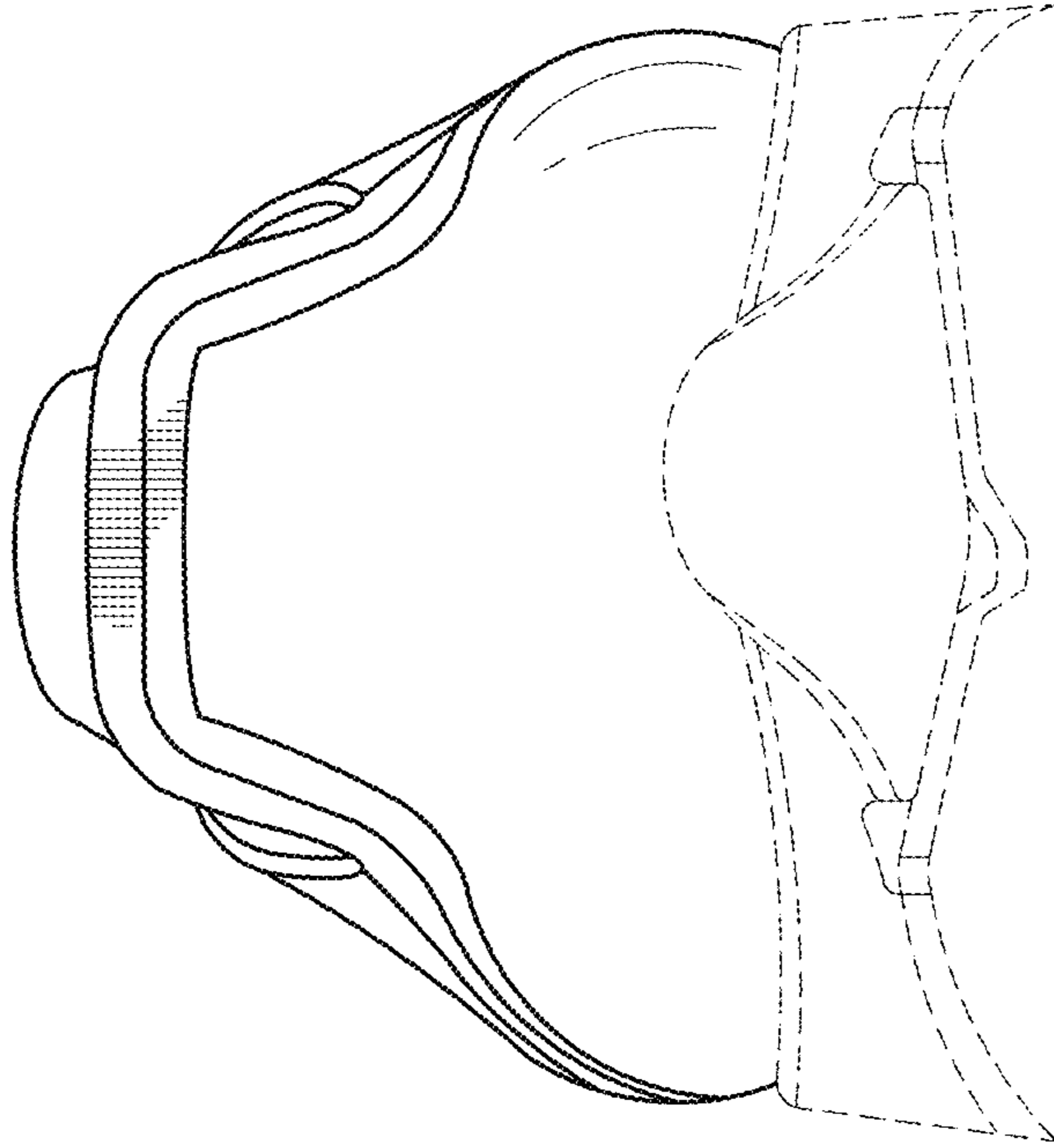


FIG. 6

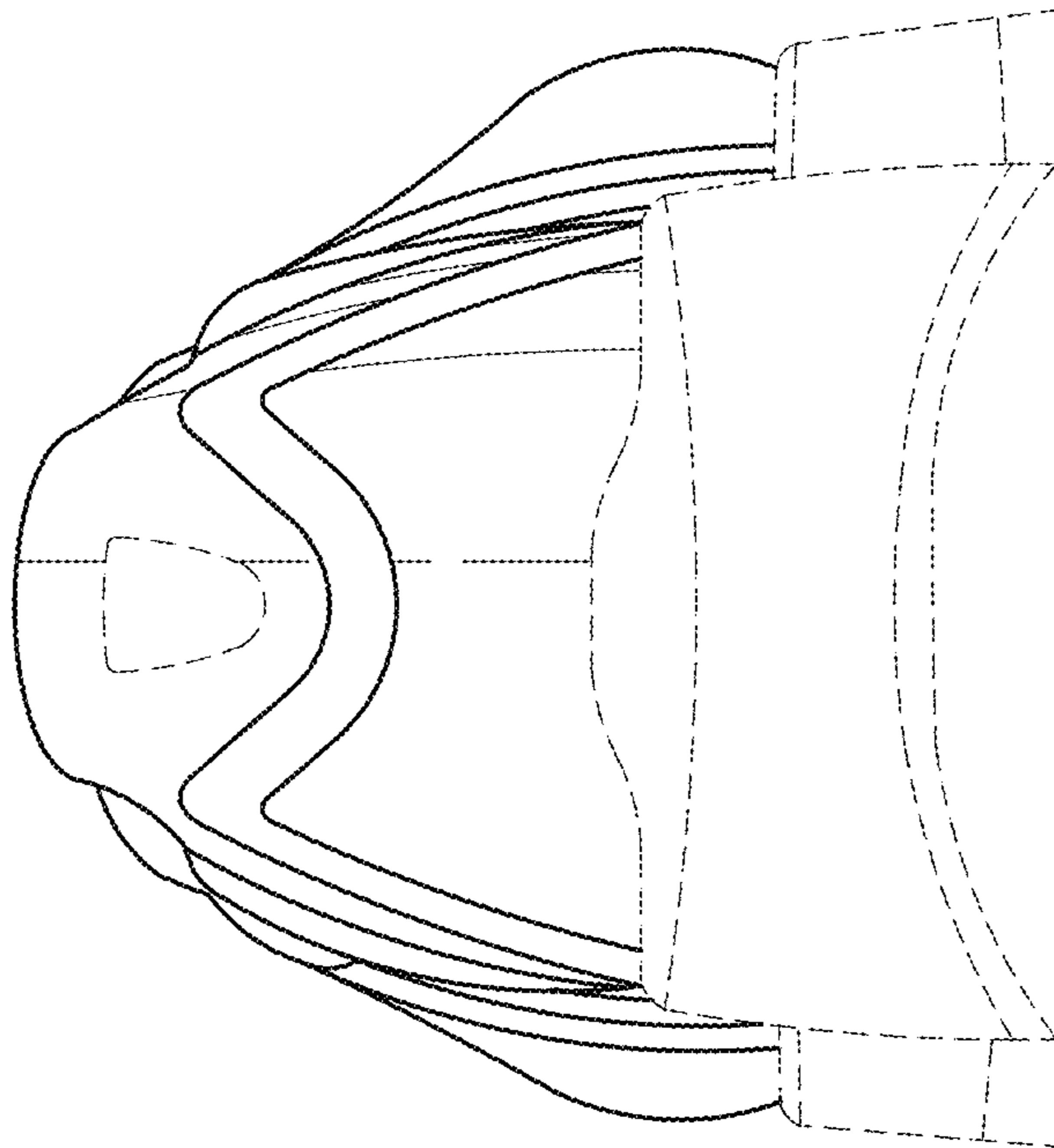


FIG. 7