



US00D783956S

(12) **United States Design Patent**
Mitchell et al.

(10) **Patent No.:** **US D783,956 S**
(45) **Date of Patent:** **** Apr. 18, 2017**

(54) **SANDAL**

(71) Applicant: **Vionic Group LLC**, San Rafael, CA (US)

(72) Inventors: **Terry Mitchell**, Larkspur, CA (US);
Amy Egelja, Marblehead, MA (US)

(73) Assignee: **Vionic Group LLC**, San Rafael, CA (US)

(**) Term: **15 Years**

(21) Appl. No.: **29/559,606**

(22) Filed: **Mar. 30, 2016**

(51) **LOC (10) Cl.** **02-04**

(52) **U.S. Cl.**
USPC **D2/916**

(58) **Field of Classification Search**
USPC 36/7.7, 7.3, 7.6, 7.8, 7.1 A, 11.5;
D2/925-942, 916-922
CPC A43B 3/12; A43B 3/122; A43B 3/124;
A43B 3/126; A43B 3/128; A43B 23/042
See application file for complete search history.

(56) **References Cited**

U.S. PATENT DOCUMENTS

D567,488 S * 4/2008 Lawler D2/930
D592,842 S * 5/2009 Lawler D2/946

D604,485 S * 11/2009 Thornton D2/946
D636,167 S * 4/2011 Guers-Neyraud D2/971
D650,569 S * 12/2011 Wilkinson D2/971
D711,634 S * 8/2014 LaRusso D2/939
D717,529 S * 11/2014 Issler D2/971
D736,512 S * 8/2015 Issler D2/927
D738,606 S * 9/2015 Choi D2/971
D768,967 S * 10/2016 Brass D2/917

* cited by examiner

Primary Examiner — Susan Bennett Hattan

Assistant Examiner — Jennifer Wright

(74) *Attorney, Agent, or Firm* — Reed Smith LLP; Nina Habib Borders

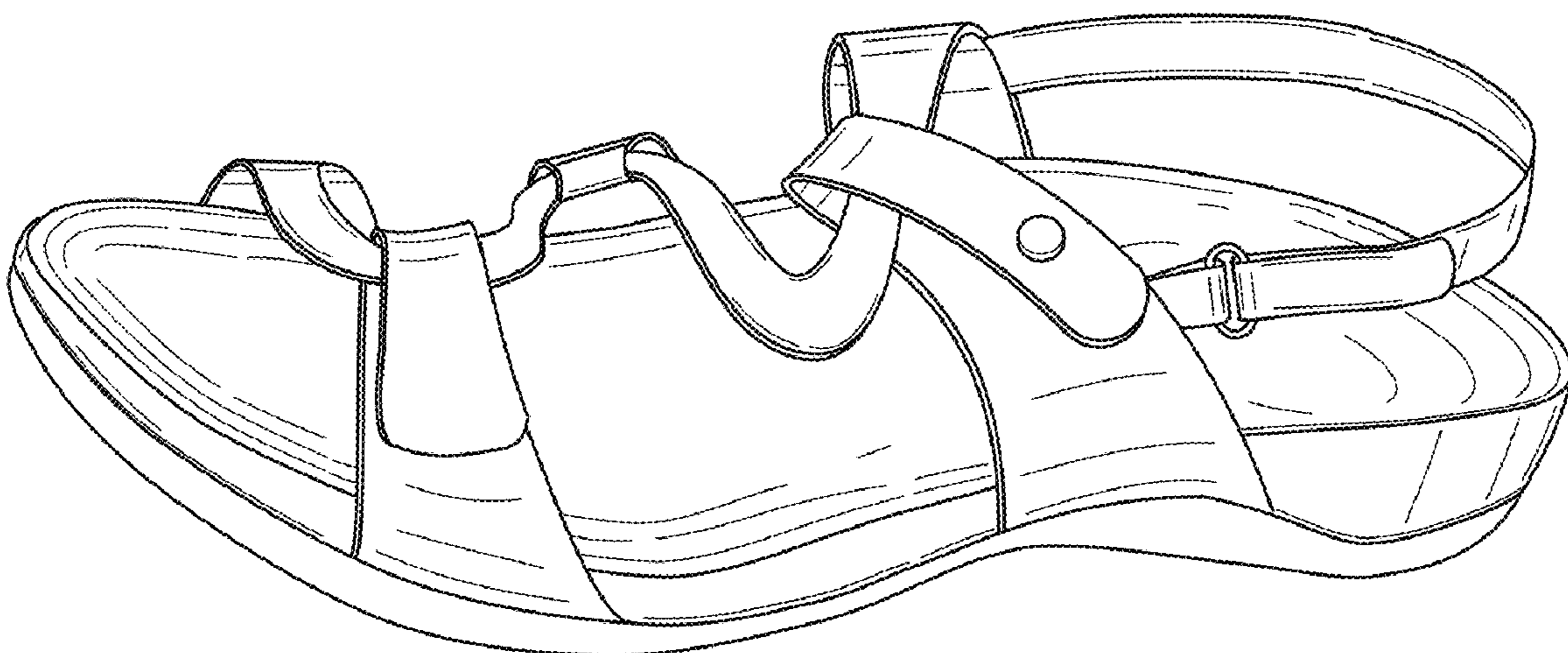
(57) **CLAIM**

The ornamental design for the sandal, as shown and described.

DESCRIPTION

FIG. 1 is a top perspective view of my ornamental design for a sandal;
FIG. 2 is a left side elevation view thereof;
FIG. 3 is a right side elevation view thereof;
FIG. 4 is a top plan view thereof;
FIG. 5 is a bottom plan view thereof;
FIG. 6 is a front elevational view thereof; and,
FIG. 7 is a rear elevational view thereof.

1 Claim, 2 Drawing Sheets



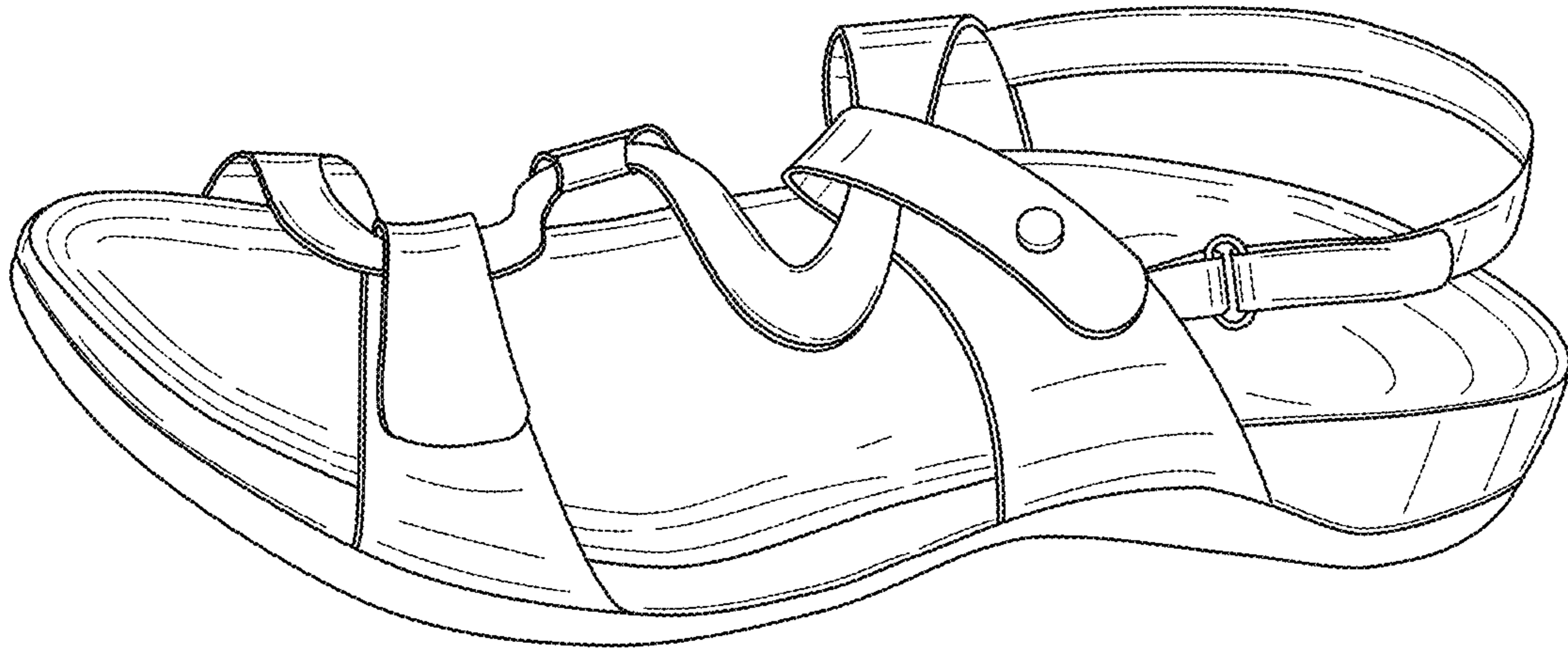


Fig. 1

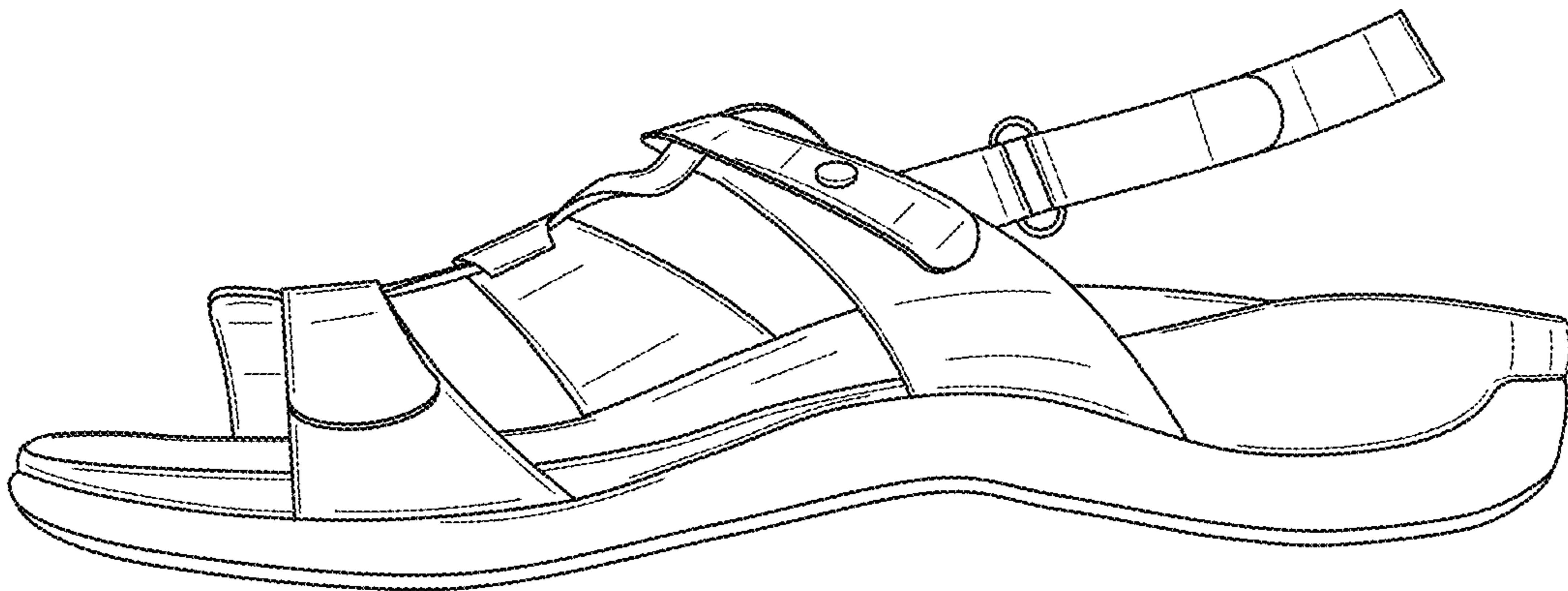


Fig. 2

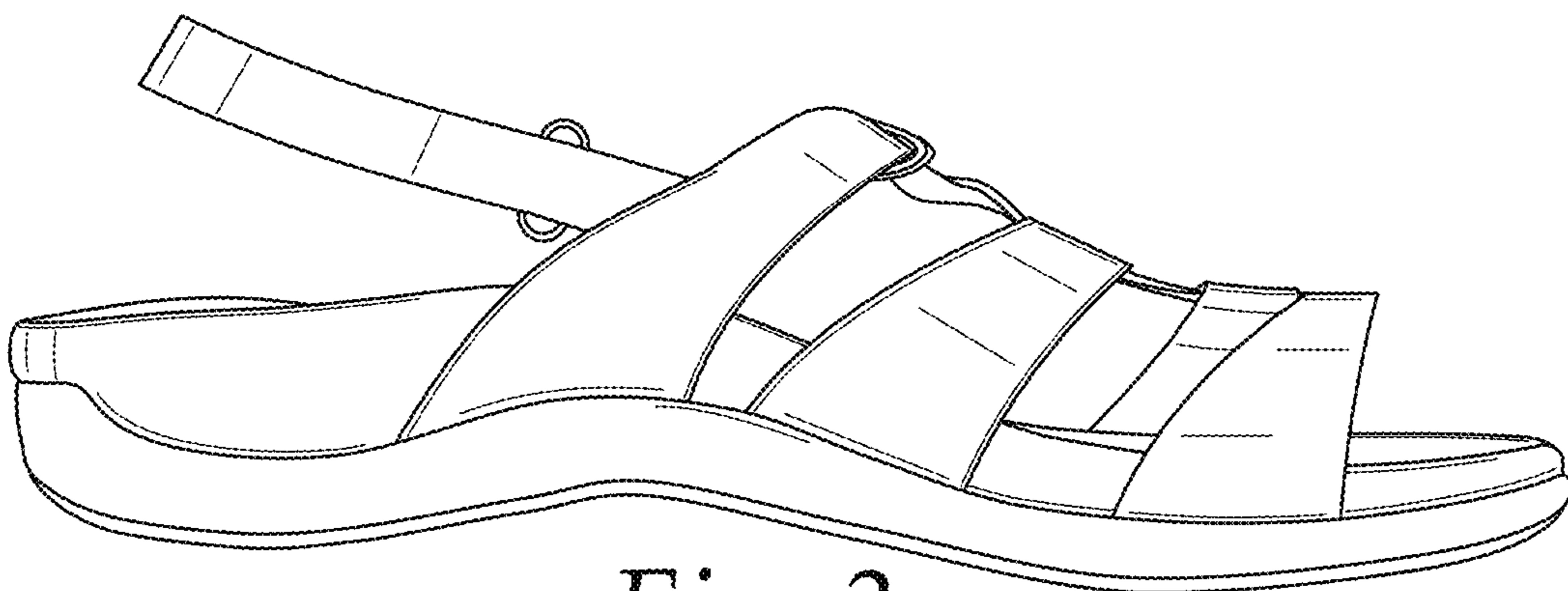


Fig. 3

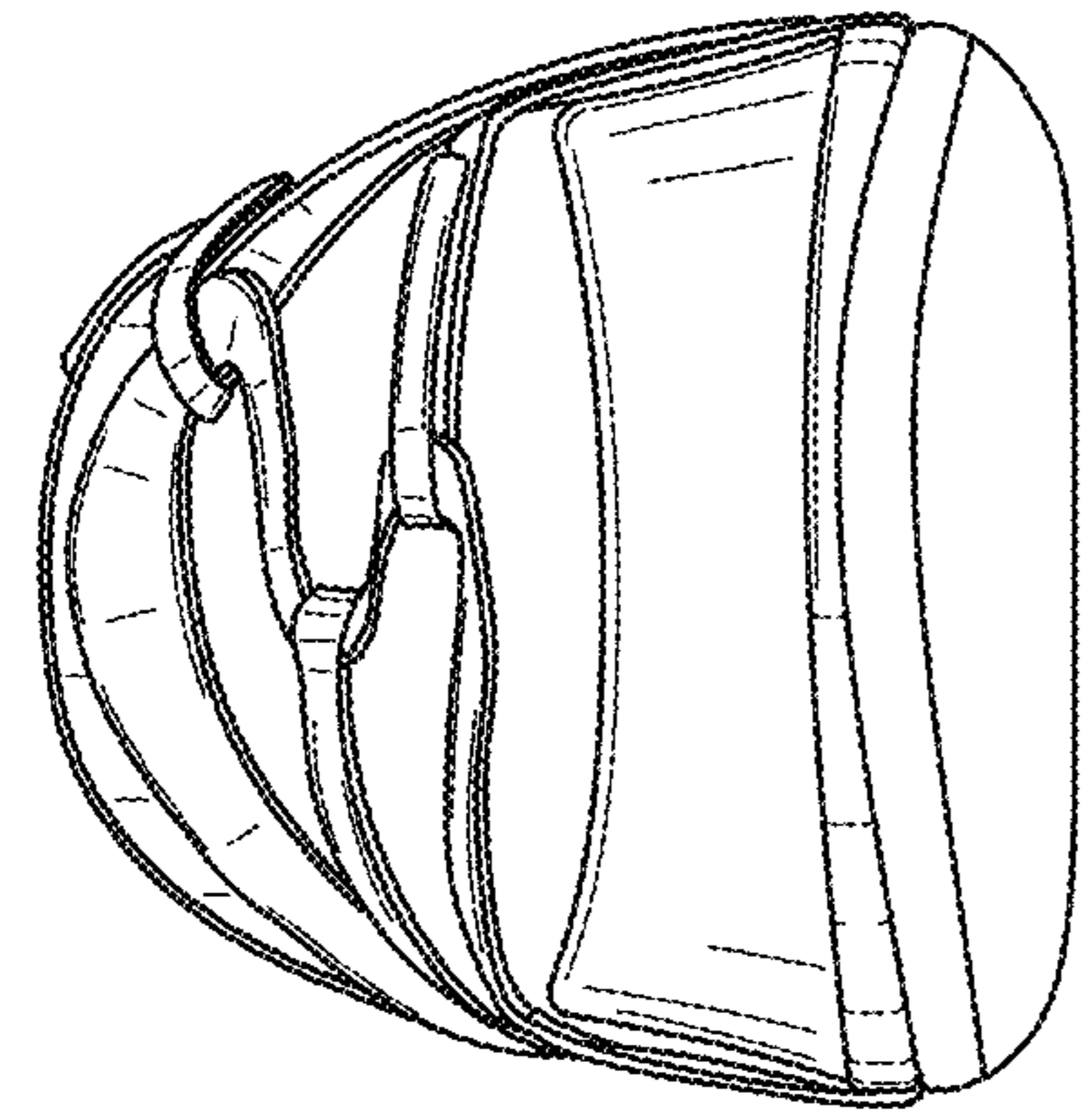


Fig. 6

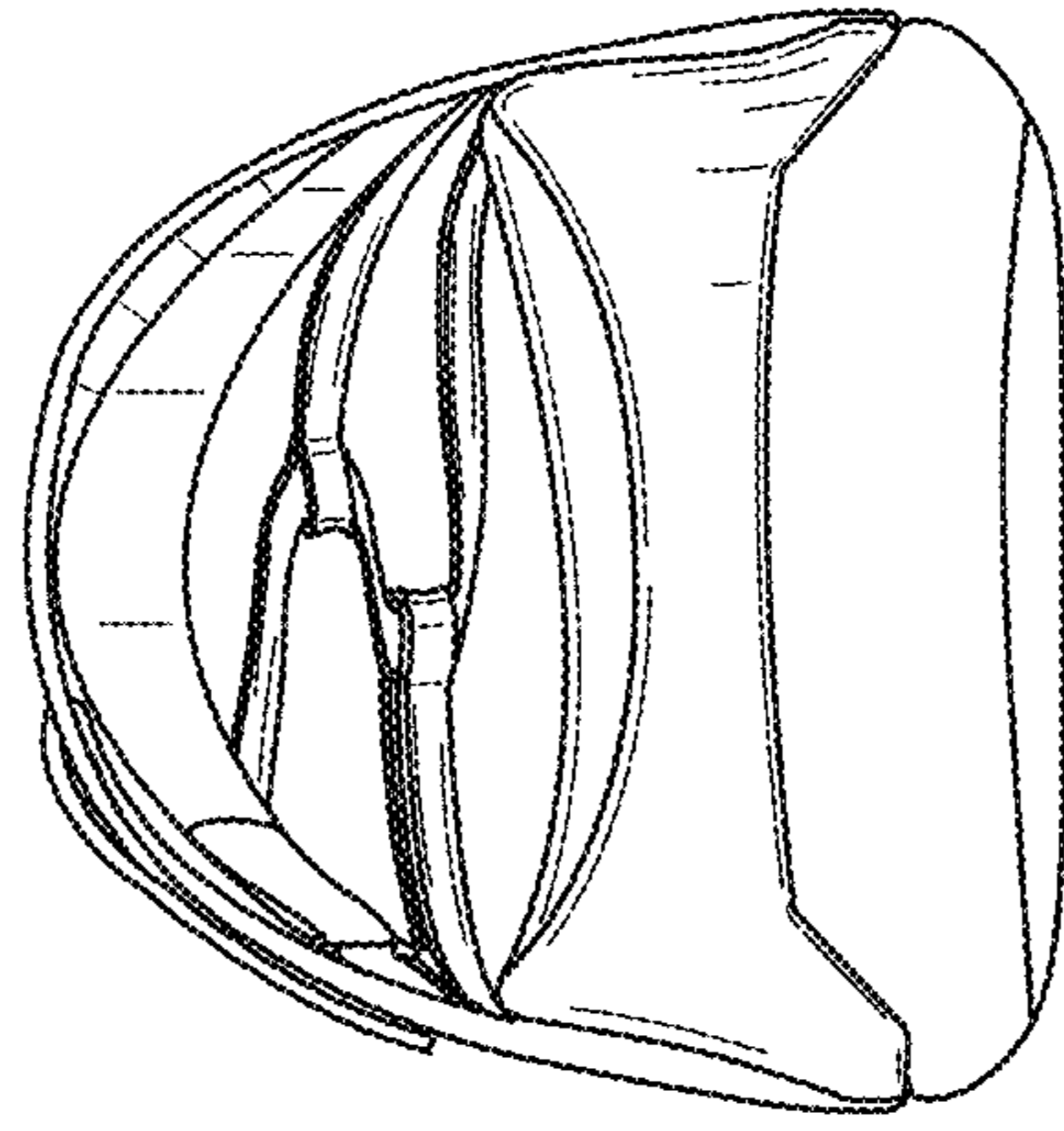


Fig. 7

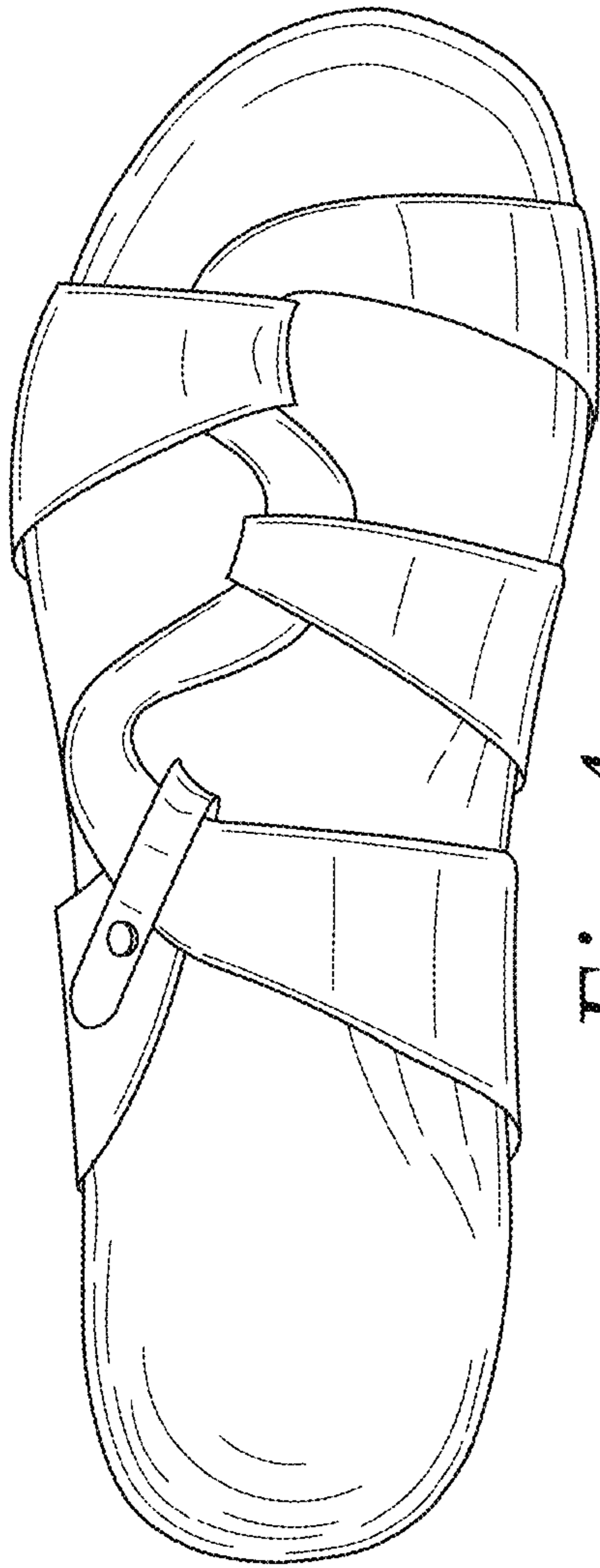


Fig. 4

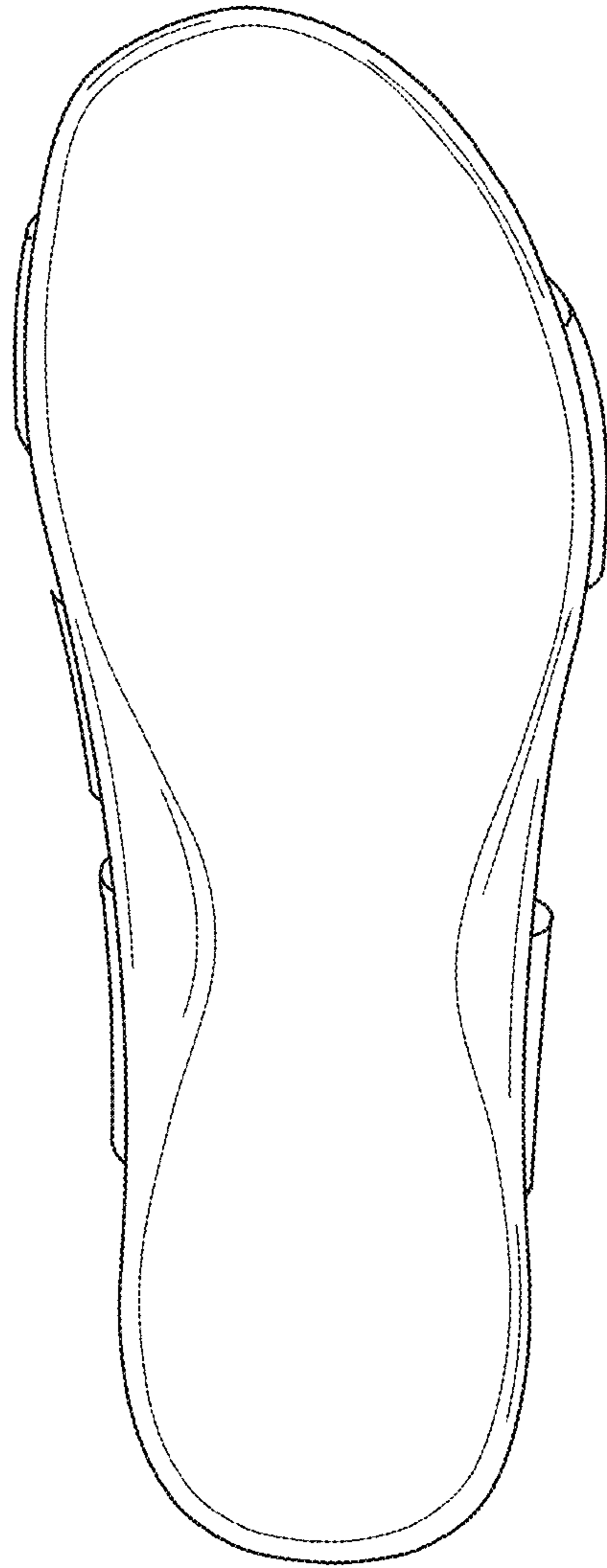


Fig. 5