



US00D783953S

(12) **United States Design Patent**
Zohner

(10) **Patent No.:** **US D783,953 S**
(45) **Date of Patent:** **** Apr. 18, 2017**

- (54) **SANDAL ASSEMBLY**
- (71) Applicant: **Sandra Zohner**, Las Vegas, NV (US)
- (72) Inventor: **Sandra Zohner**, Las Vegas, NV (US)
- (**) Term: **15 Years**
- (21) Appl. No.: **29/548,977**
- (22) Filed: **Dec. 18, 2015**
- (51) **LOC (10) Cl.** **02-04**
- (52) **U.S. Cl.**
USPC **D2/916**
- (58) **Field of Classification Search**
USPC 36/7.7, 7.3, 7.6, 7.8, 7.1 A, 11.5;
D2/925-942, 916-922
CPC A43B 3/12; A43B 3/122; A43B 3/124;
A43B 3/126; A43B 3/128; A43B 23/042
See application file for complete search history.

- 3,874,100 A * 4/1975 Schwitters A43B 3/106
36/11.5
- D285,382 S * 9/1986 Schornstein D2/916
- D288,861 S * 3/1987 Vaccaro D2/918
- 4,751,784 A * 6/1988 Petker A43B 3/106
36/11.5
- D494,746 S * 8/2004 Gomez-Tagle-Mendez .. D2/916
- 7,080,466 B2 * 7/2006 Fischbein A43B 3/106
36/50.1
- D564,733 S * 3/2008 Leon D2/916
- 2004/0216329 A1 11/2004 Evans
- 2010/0251563 A1 10/2010 Oliveira

* cited by examiner

Primary Examiner — Susan Bennett Hattan
Assistant Examiner — Jennifer Wright

(57) **CLAIM**

The ornamental design for a sandal assembly, as shown and described.

(56) **References Cited**

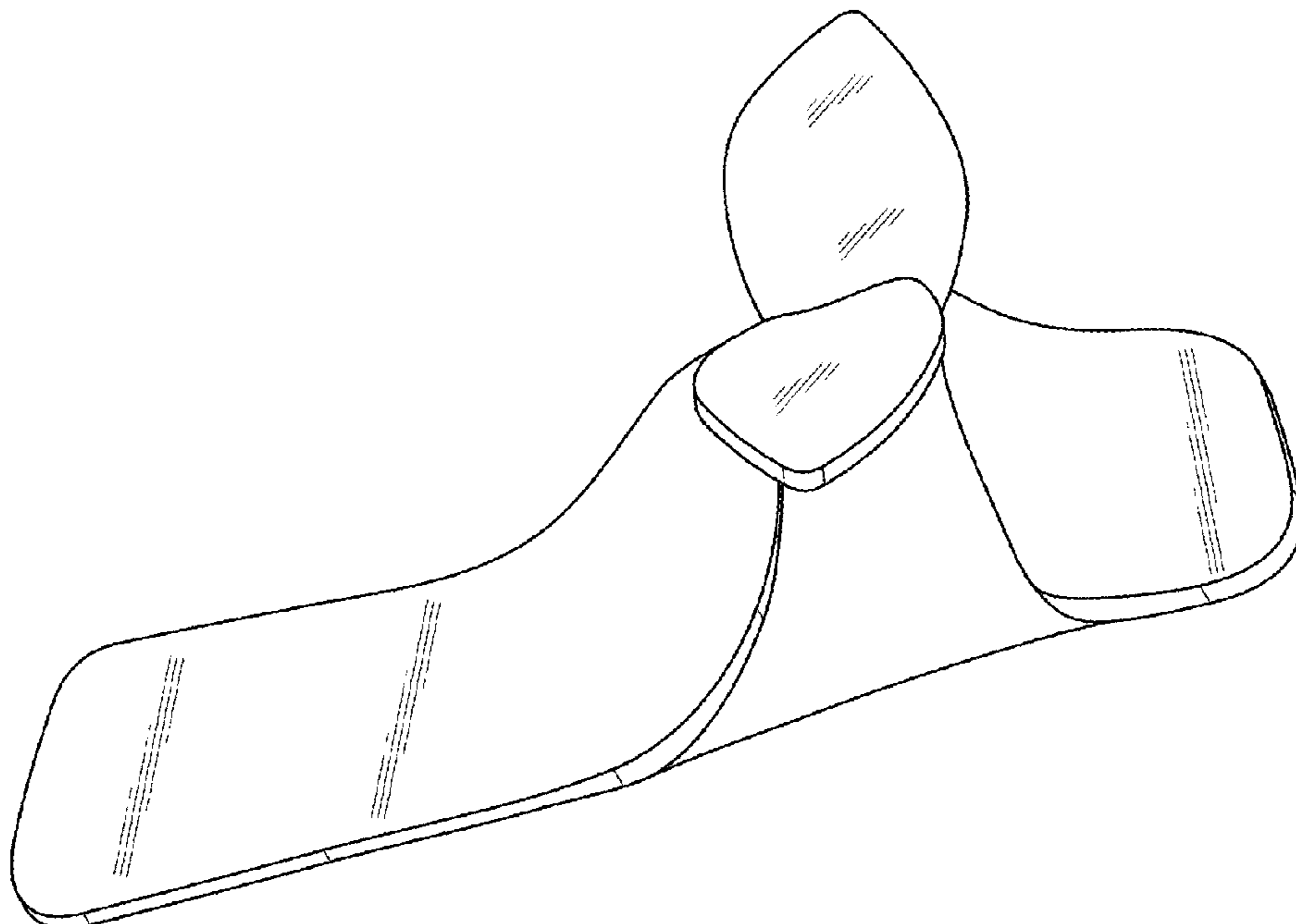
U.S. PATENT DOCUMENTS

- 2,119,233 A * 5/1938 Judkins A43B 3/106
24/343
- 2,534,975 A * 12/1950 Johnson A43B 3/126
36/11.5
- 2,611,977 A * 9/1952 Yamada A43B 3/106
36/11.5
- 3,603,006 A * 9/1971 Davenport A43B 3/106
36/11.5
- 3,775,873 A * 12/1973 Small A43B 3/106
36/11.5
- D231,160 S * 4/1974 Sebwarzenbach D2/916
- 3,871,116 A 3/1975 Vanderlinden

DESCRIPTION

FIG. 1 is a top view of a sandal assembly in an unassembled position, showing my design;
FIG. 2 is a perspective view of the sandal assembly in an assembled position;
FIG. 3 is a front view thereof;
FIG. 4 is a rear view thereof;
FIG. 5 is a left view thereof;
FIG. 6 is a right view thereof;
FIG. 7 is a top view thereof; and,
FIG. 8 is a bottom view thereof.

1 Claim, 4 Drawing Sheets



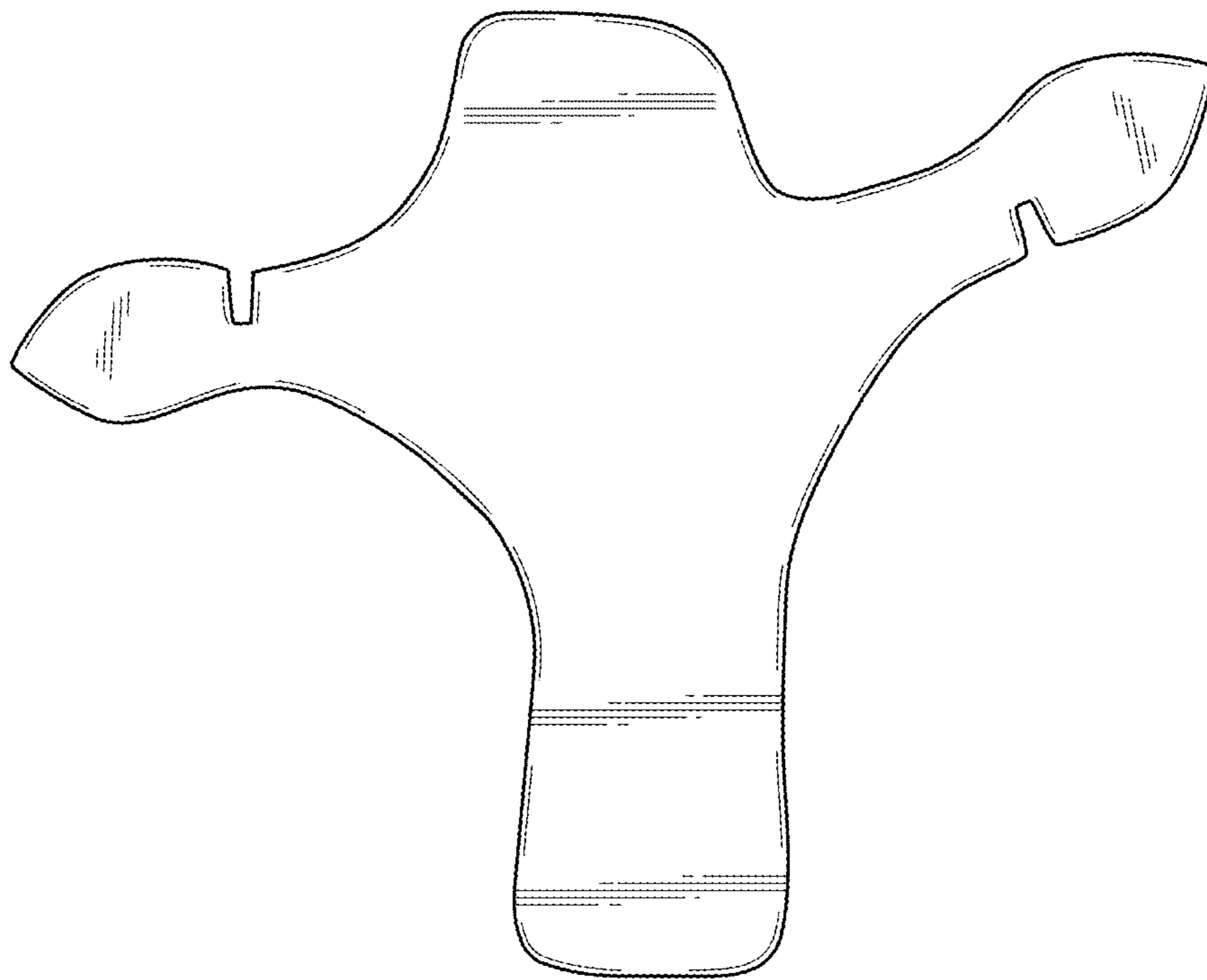


FIG. 1

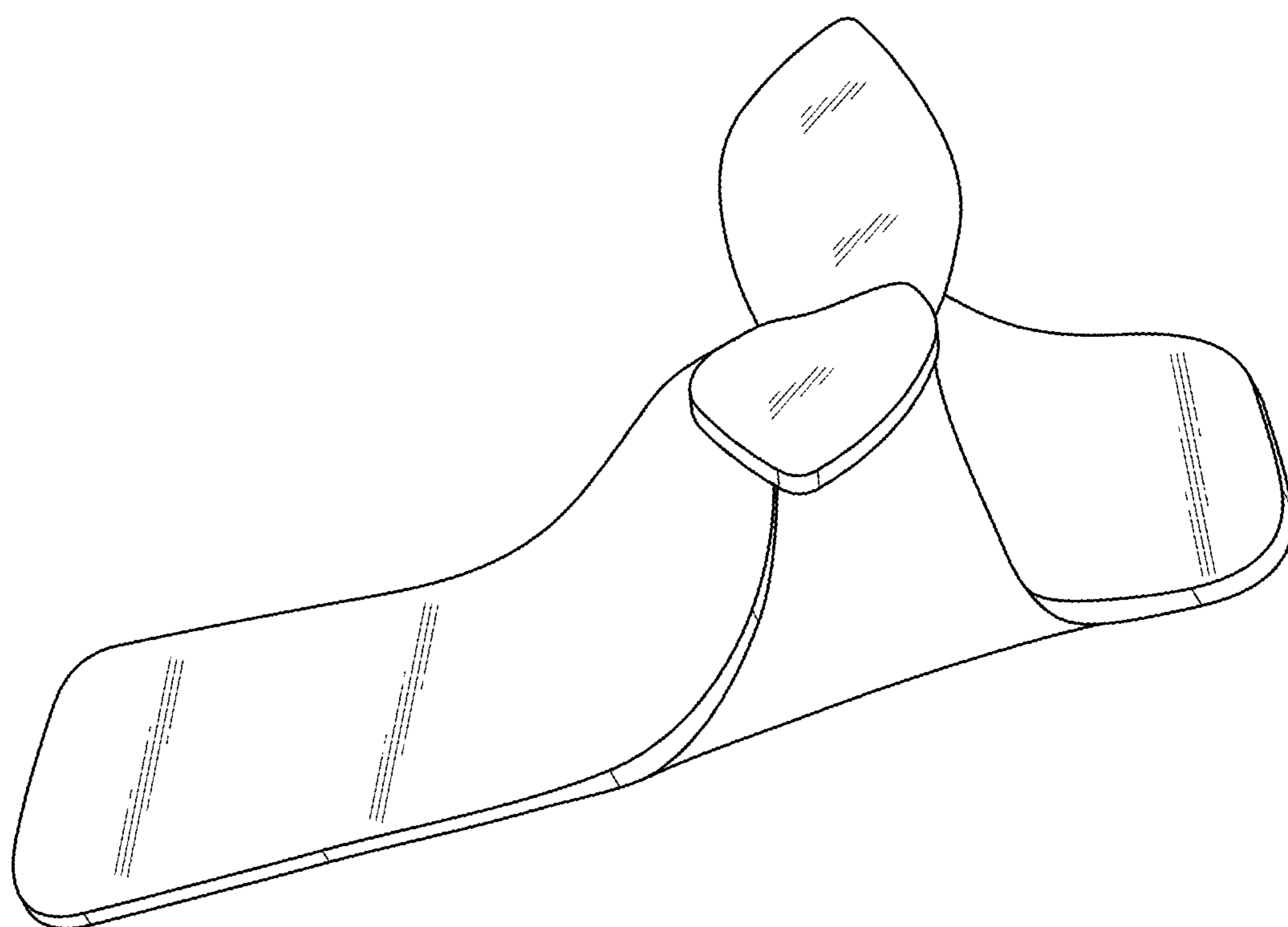


FIG. 2

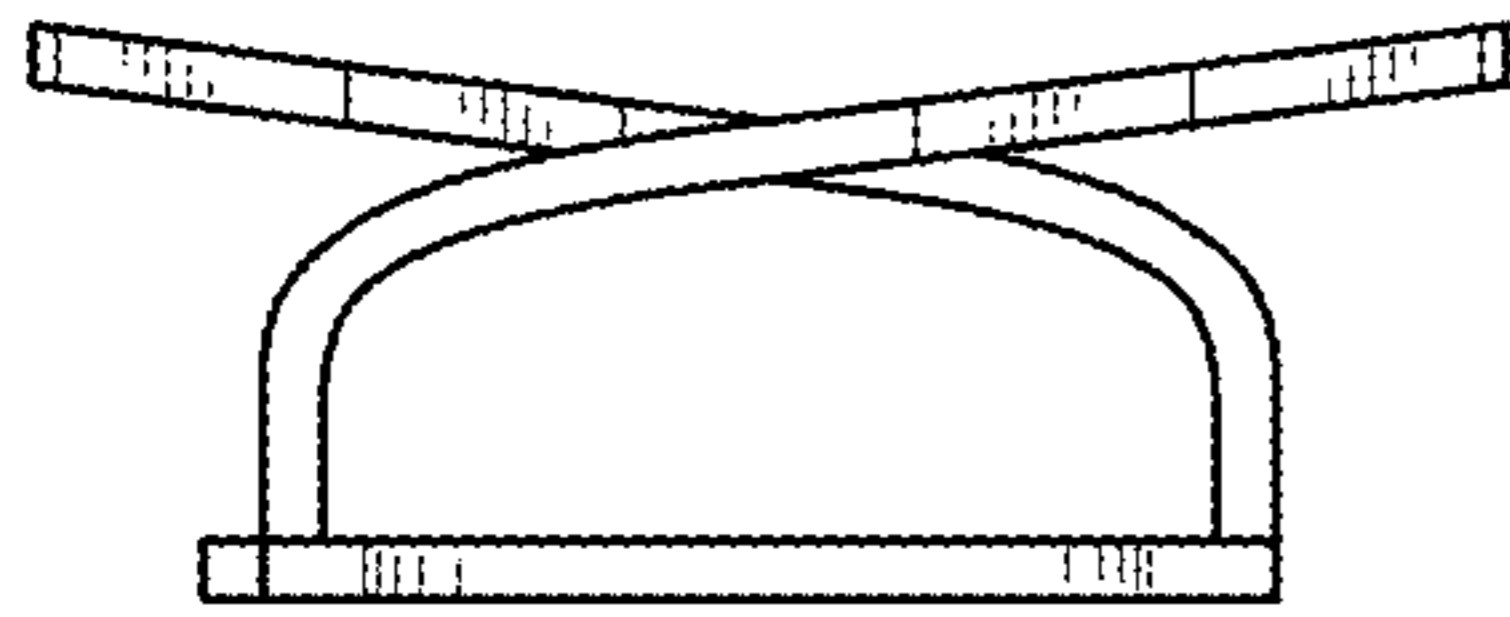


FIG. 3

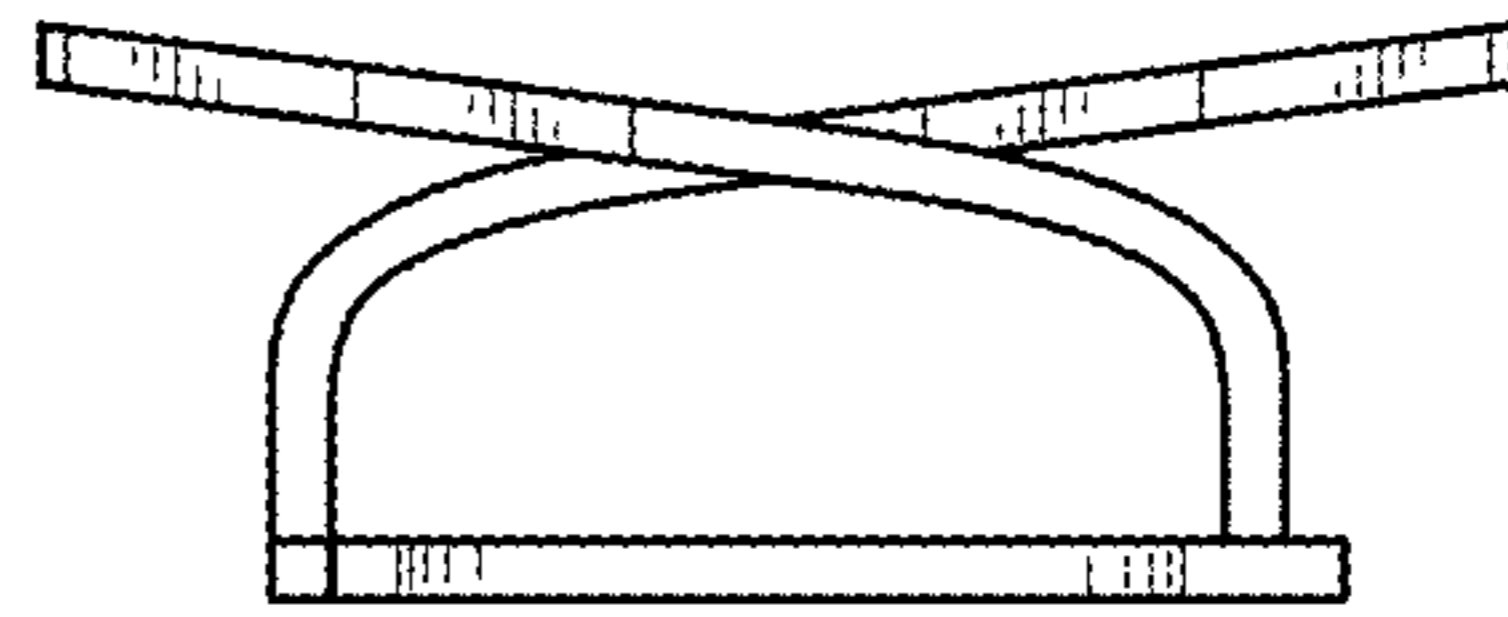


FIG. 4

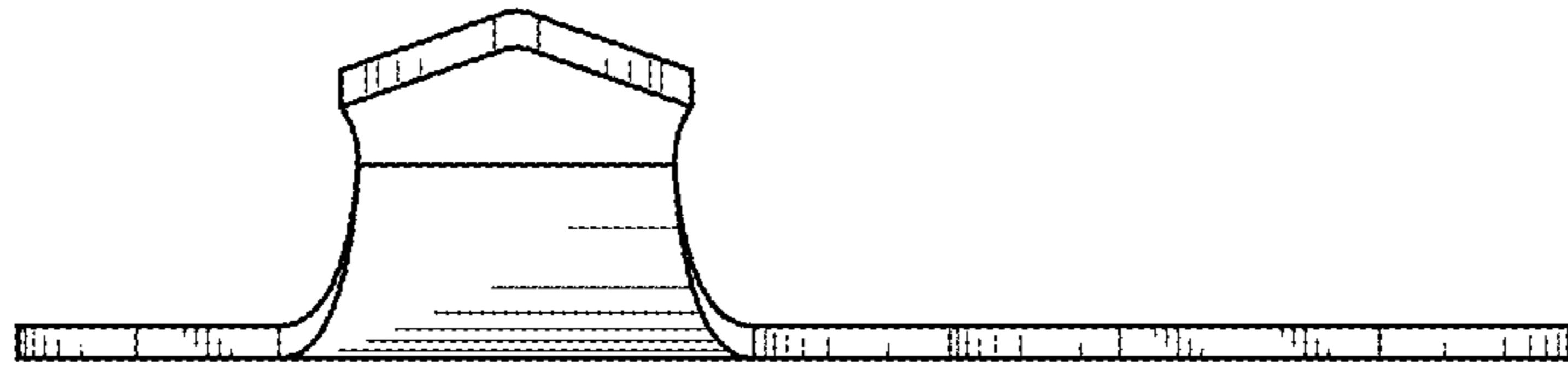


FIG. 5

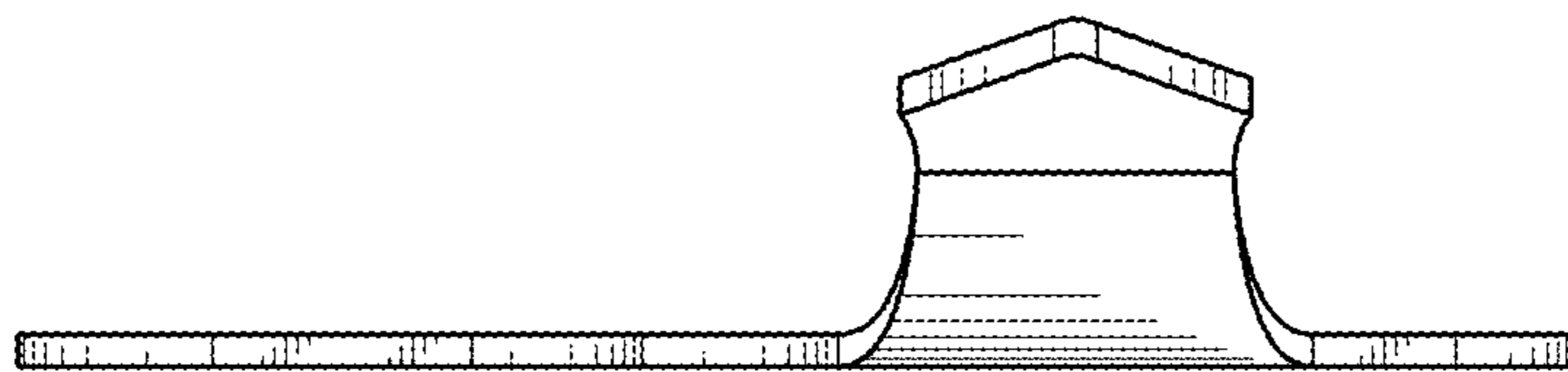


FIG. 6

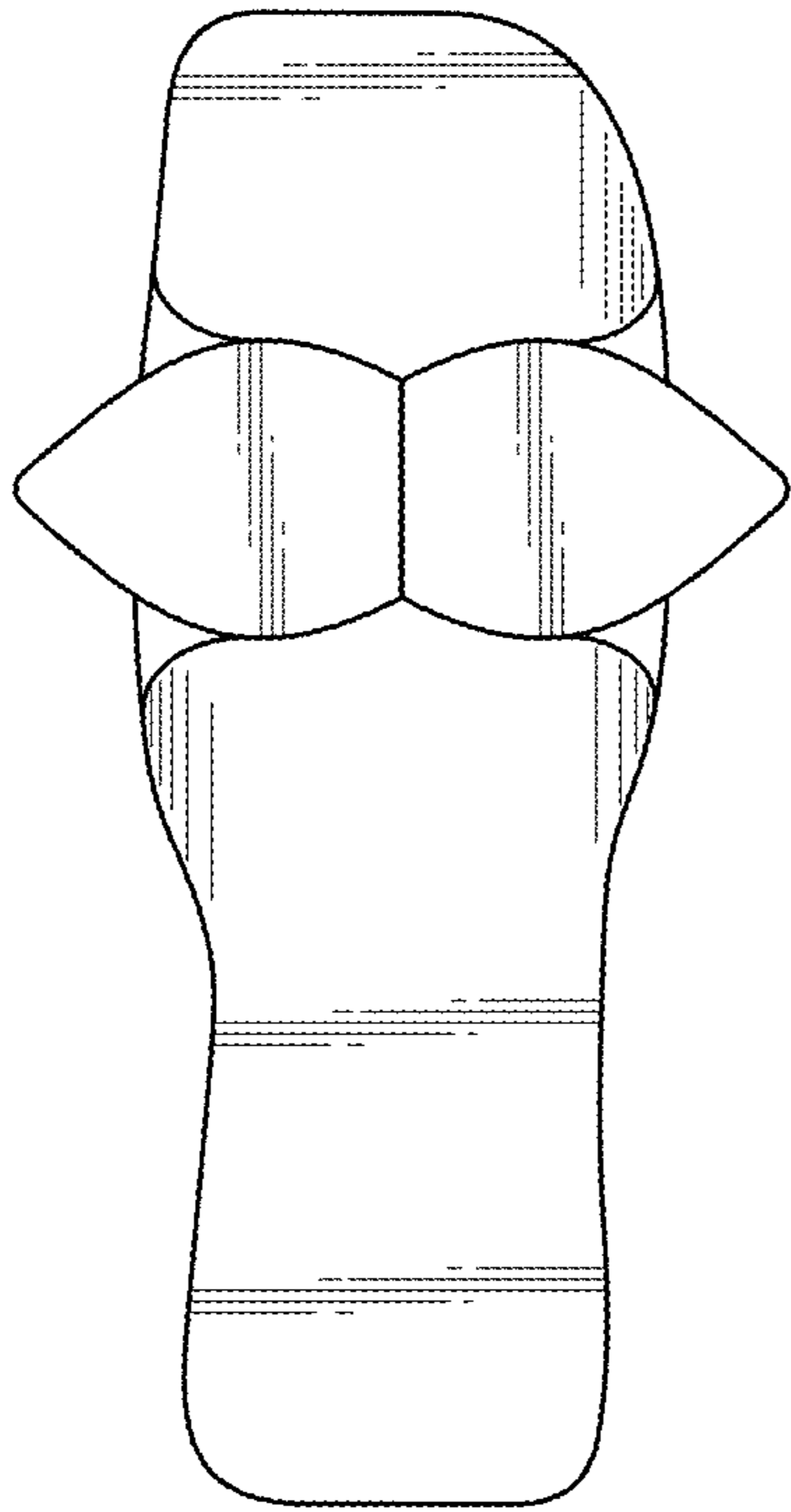


FIG. 7

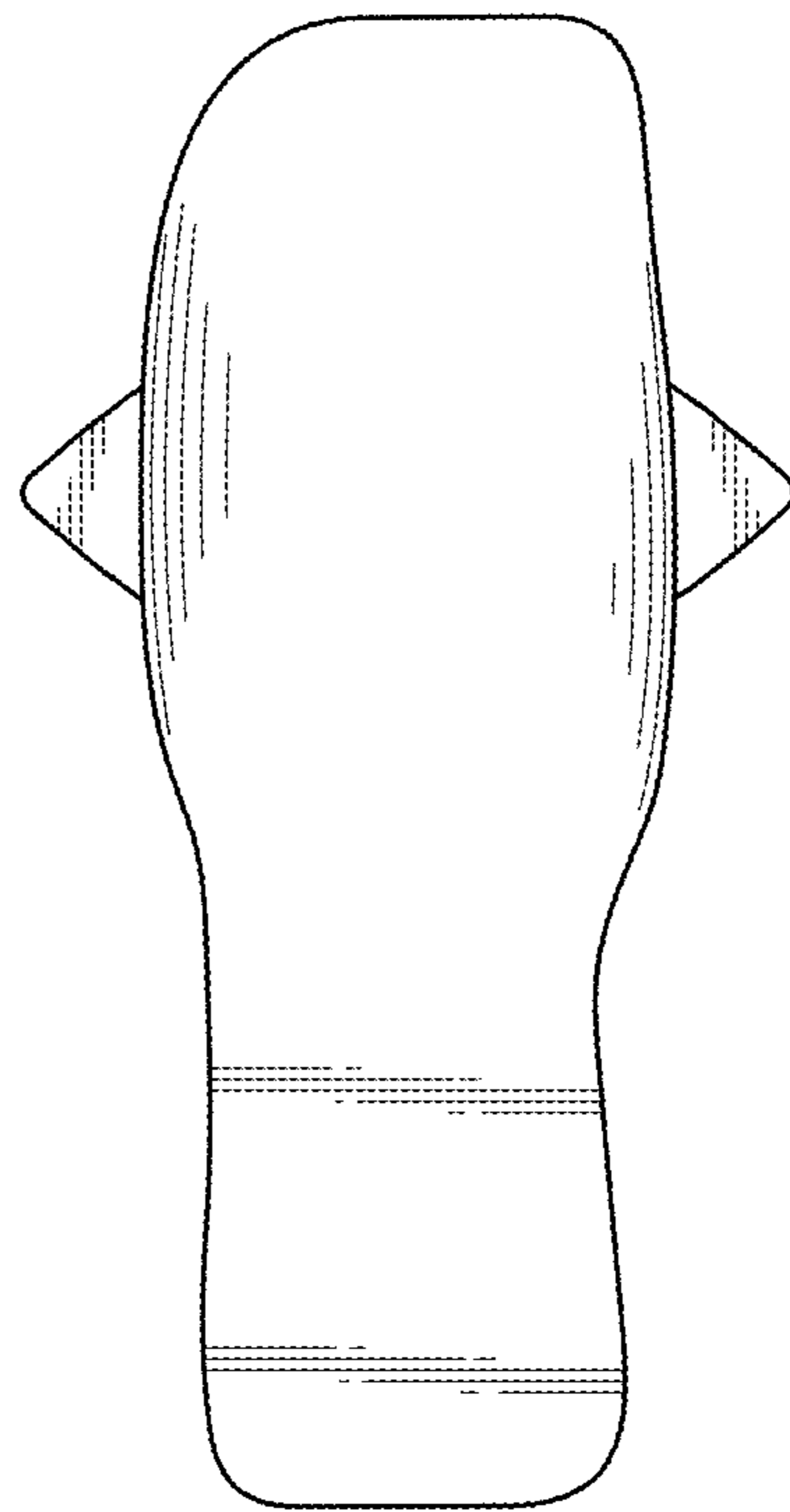


FIG. 8