



US00D783938S

(12) **United States Design Patent** (10) **Patent No.:** **US D783,938 S**
Todd (45) **Date of Patent:** **** Apr. 18, 2017**

- (54) **COMPRESSION GARMENT**
- (71) Applicant: **Under Armour, Inc.**, Baltimore, MD (US)
- (72) Inventor: **Nathan Todd**, Baltimore, MD (US)
- (73) Assignee: **Under Armour, Inc.**, Baltimore, MD (US)
- (**) Term: **15 Years**
- (21) Appl. No.: **29/557,277**
- (22) Filed: **Mar. 8, 2016**
- (51) **LOC (10) Cl.** **02-01**
- (52) **U.S. Cl.**
USPC **D2/731**
- (58) **Field of Classification Search**
USPC D2/711-717, 731-738, 742, 748, 857, D2/728, 860-864
CPC A63B 71/12; A63B 71/1216; A41D 1/08; A41B 11/00
See application file for complete search history.

(56) **References Cited**

U.S. PATENT DOCUMENTS

D315,630 S *	3/1991	Larsen	D2/745
D339,902 S *	10/1993	Doherty	D2/738
D378,947 S *	4/1997	Desmond	D2/701
D382,386 S *	8/1997	Malone	D2/731
D515,282 S *	2/2006	Africa	D2/714
D572,430 S *	7/2008	Wong	D2/712
D646,047 S *	10/2011	Arensdorf	D2/712
D660,553 S *	5/2012	Farina	D2/742
D702,018 S *	4/2014	Ferraro	D2/712
D702,918 S *	4/2014	Radford	D2/712

D722,742 S *	2/2015	Abrams	D2/712
D741,045 S *	10/2015	Scherr	D2/731
D743,144 S *	11/2015	Swan	D2/738
D746,022 S *	12/2015	Maier	D2/731
D747,844 S *	1/2016	Dawson	D2/712
D747,845 S *	1/2016	Pasloski	D2/731
D753,896 S *	4/2016	Yoo	D2/731
D756,069 S *	5/2016	Astin	D2/712
D759,345 S *	6/2016	Astin	D2/712
D768,357 S *	10/2016	White	D2/731
2011/0009793 A1 *	1/2011	Lucero	A41D 13/0015 602/62
2014/0276325 A1 *	9/2014	Turkbas	A41D 13/0525 602/72
2016/0338435 A1 *	11/2016	Aihara	A41D 27/28

* cited by examiner

Primary Examiner — Robin V Webster
Assistant Examiner — James Thorn, Sr.

(57) **CLAIM**

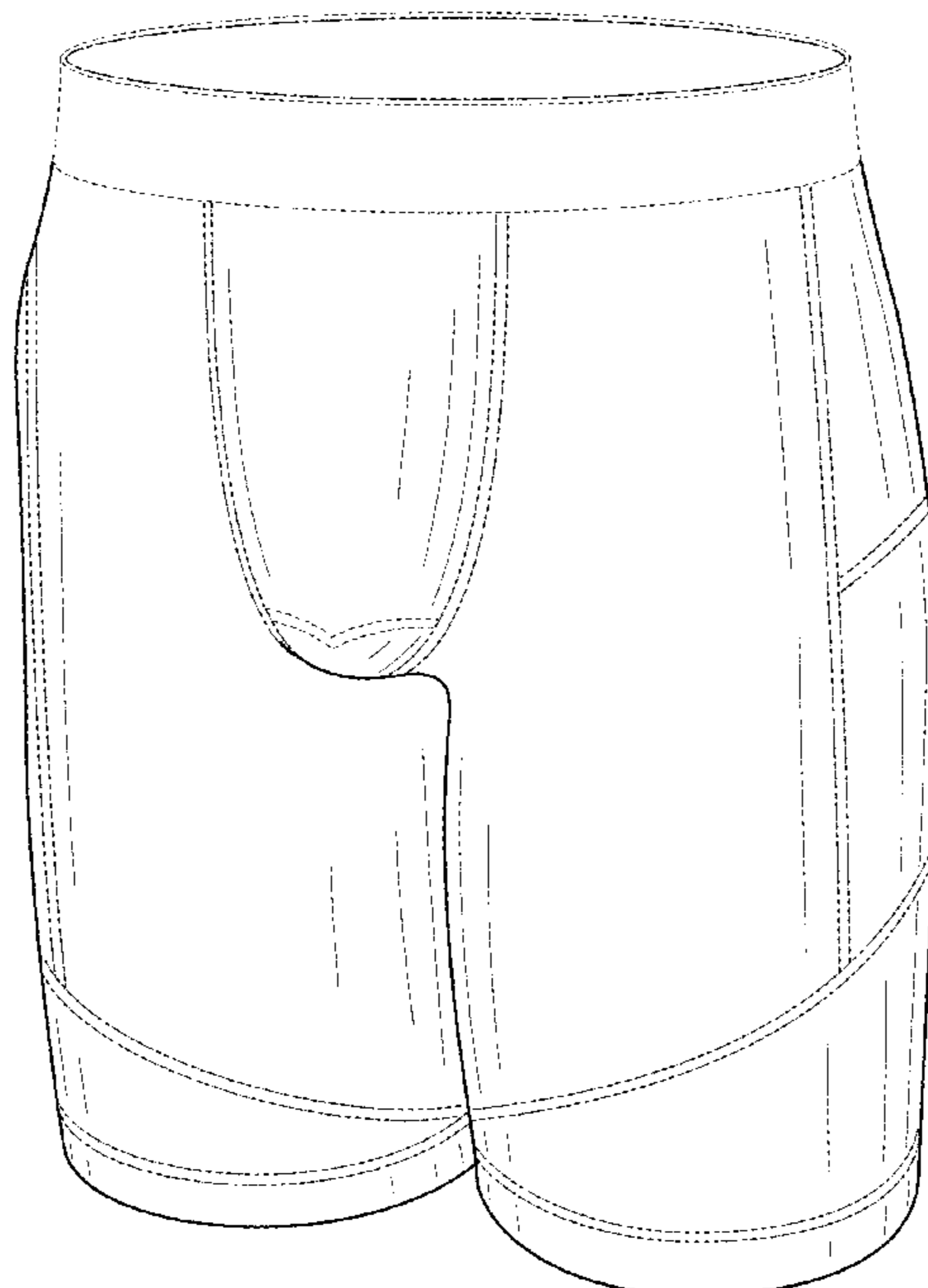
The ornamental design for a compression garment, as shown and described.

DESCRIPTION

FIG. 1 is a perspective view of a compression garment showing my new design;
 FIG. 2 is a front view in elevation thereof;
 FIG. 3 is a rear view in elevation thereof;
 FIG. 4 is a left side view in elevation thereof;
 FIG. 5 is a right side view in elevation thereof;
 FIG. 6 is a top view thereof; and,
 FIG. 7 is a bottom view thereof.

The broken, dash-dot lines, defining the bounds of the claimed design, form no part thereof. The broken line illustration in the figures is not part of the claimed design.

1 Claim, 6 Drawing Sheets



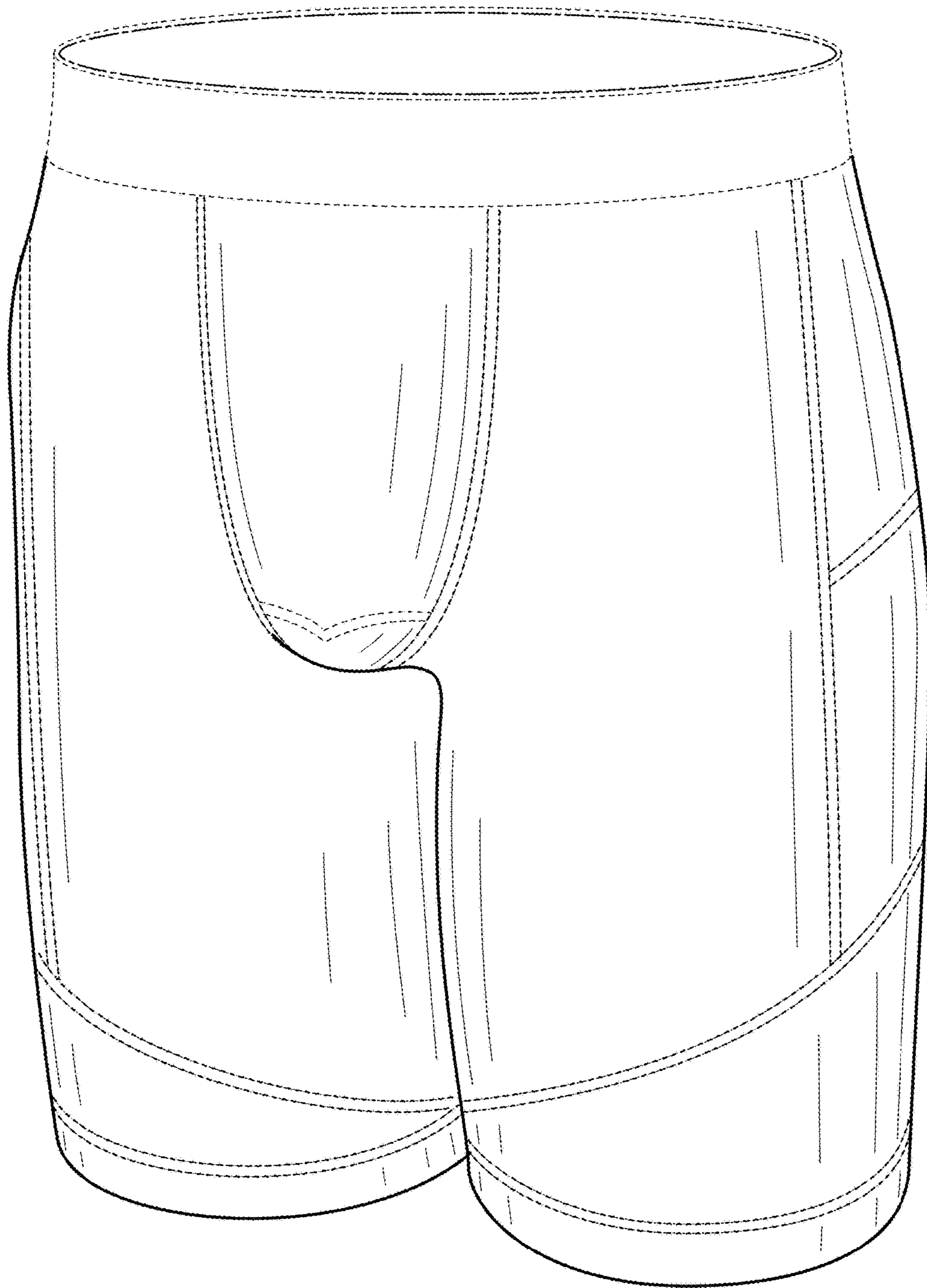


FIG. 1

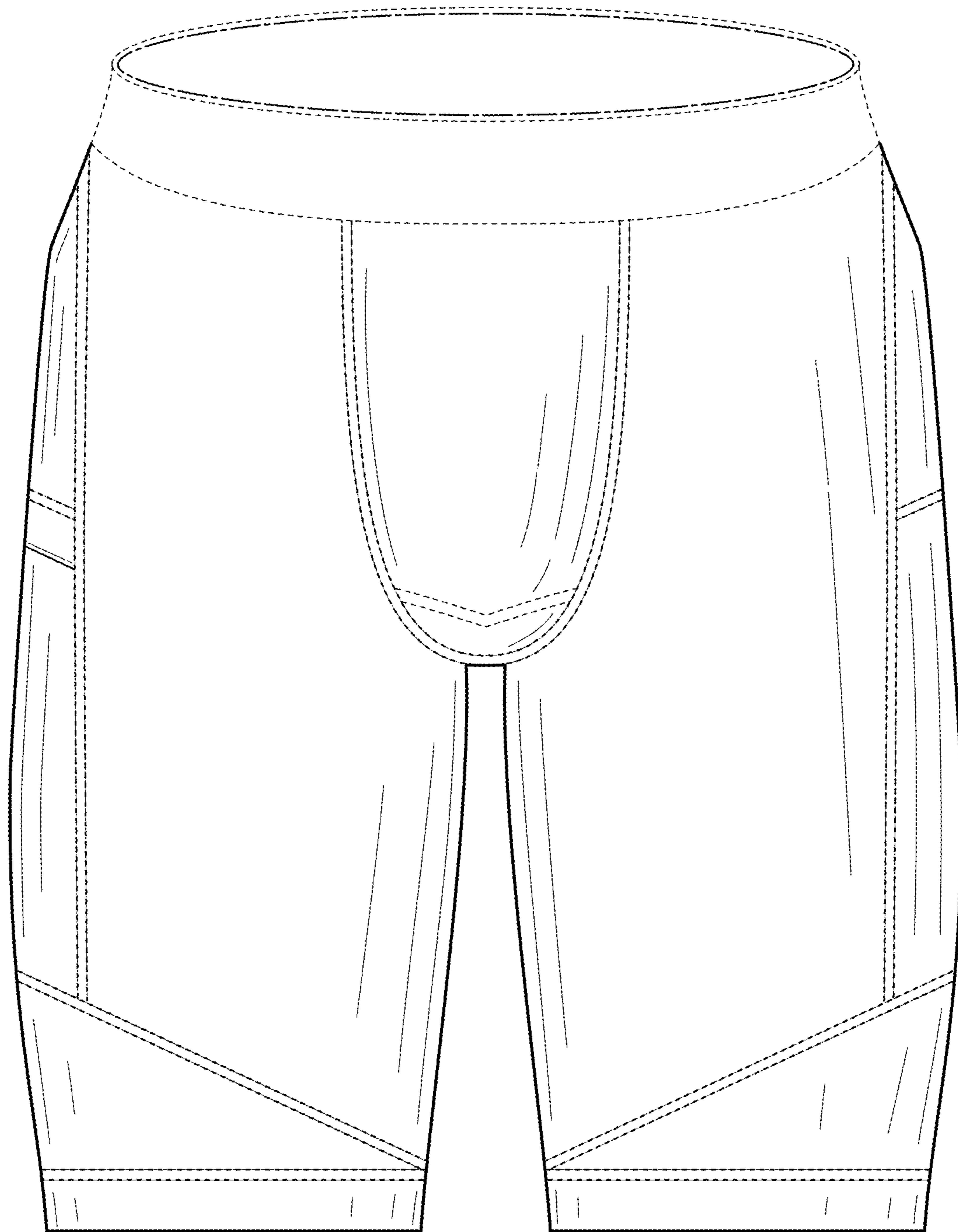


FIG. 2

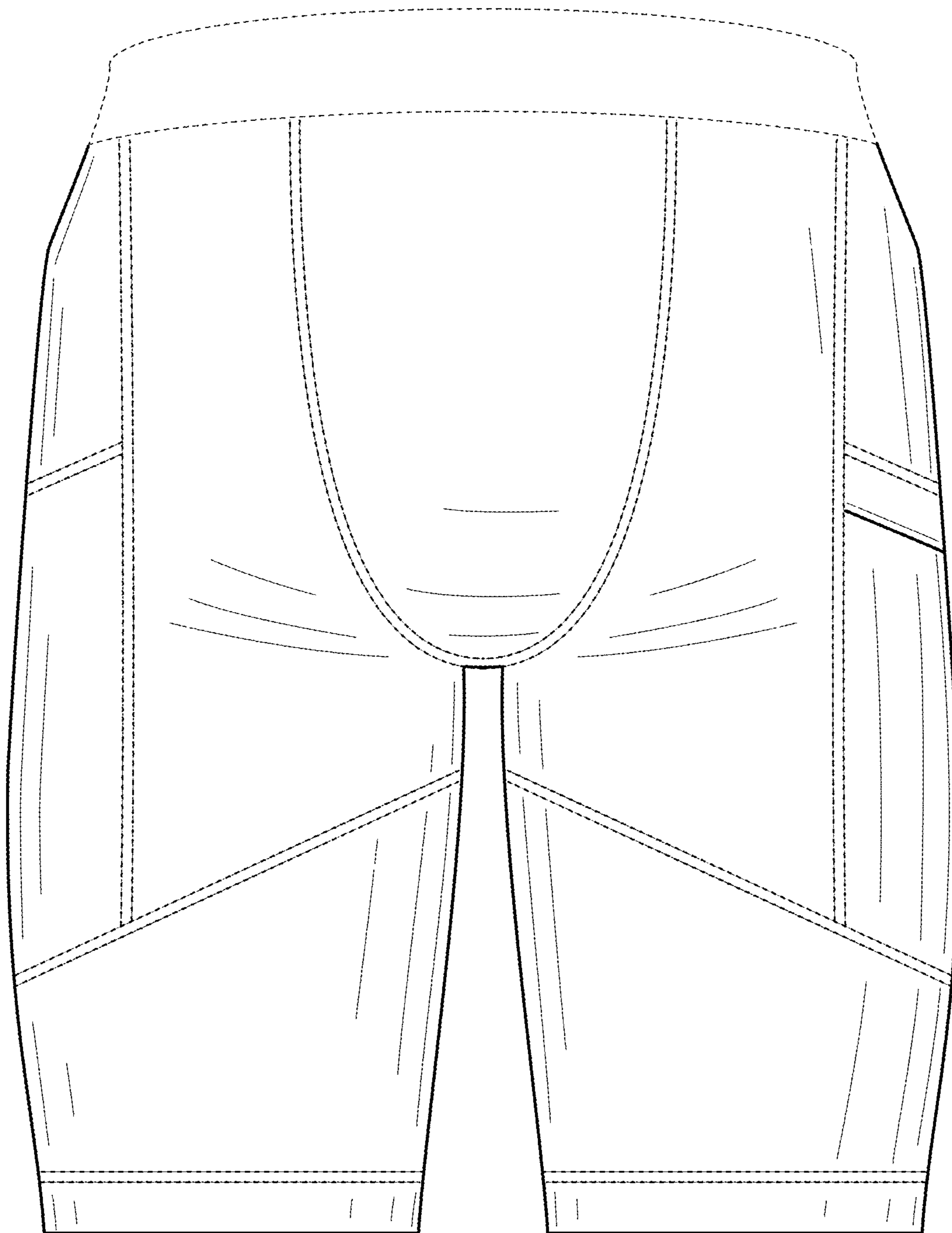


FIG. 3

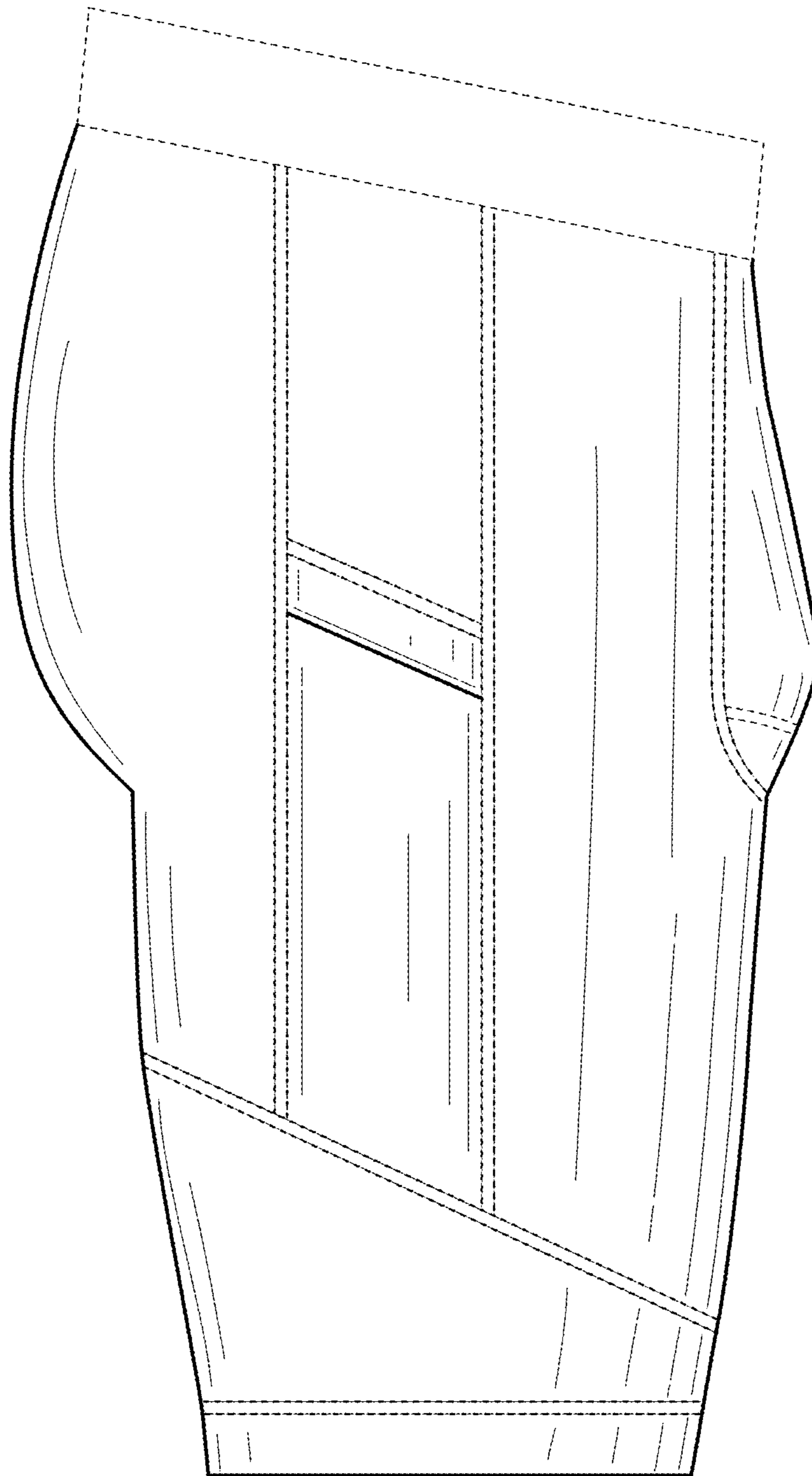


FIG. 4

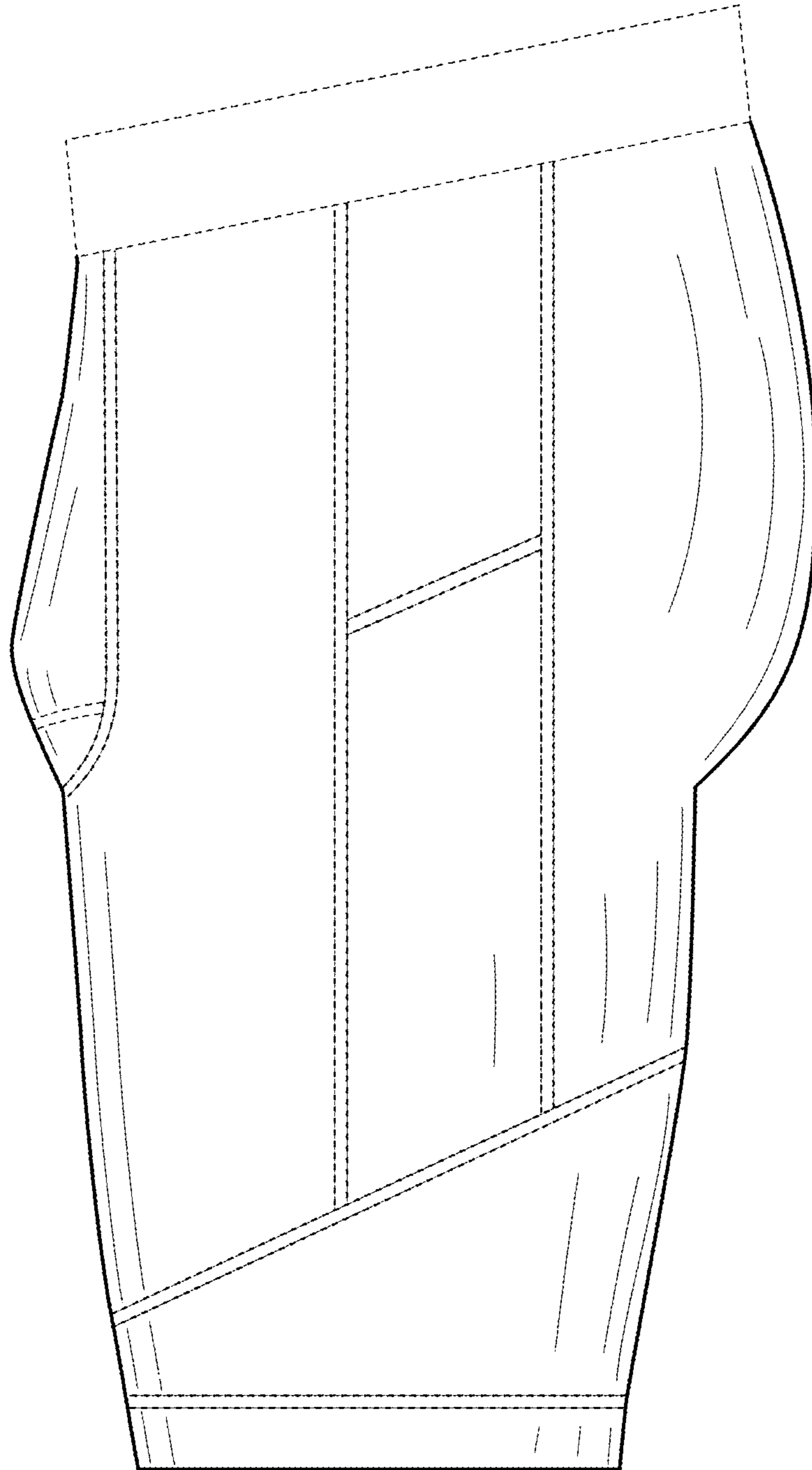


FIG. 5

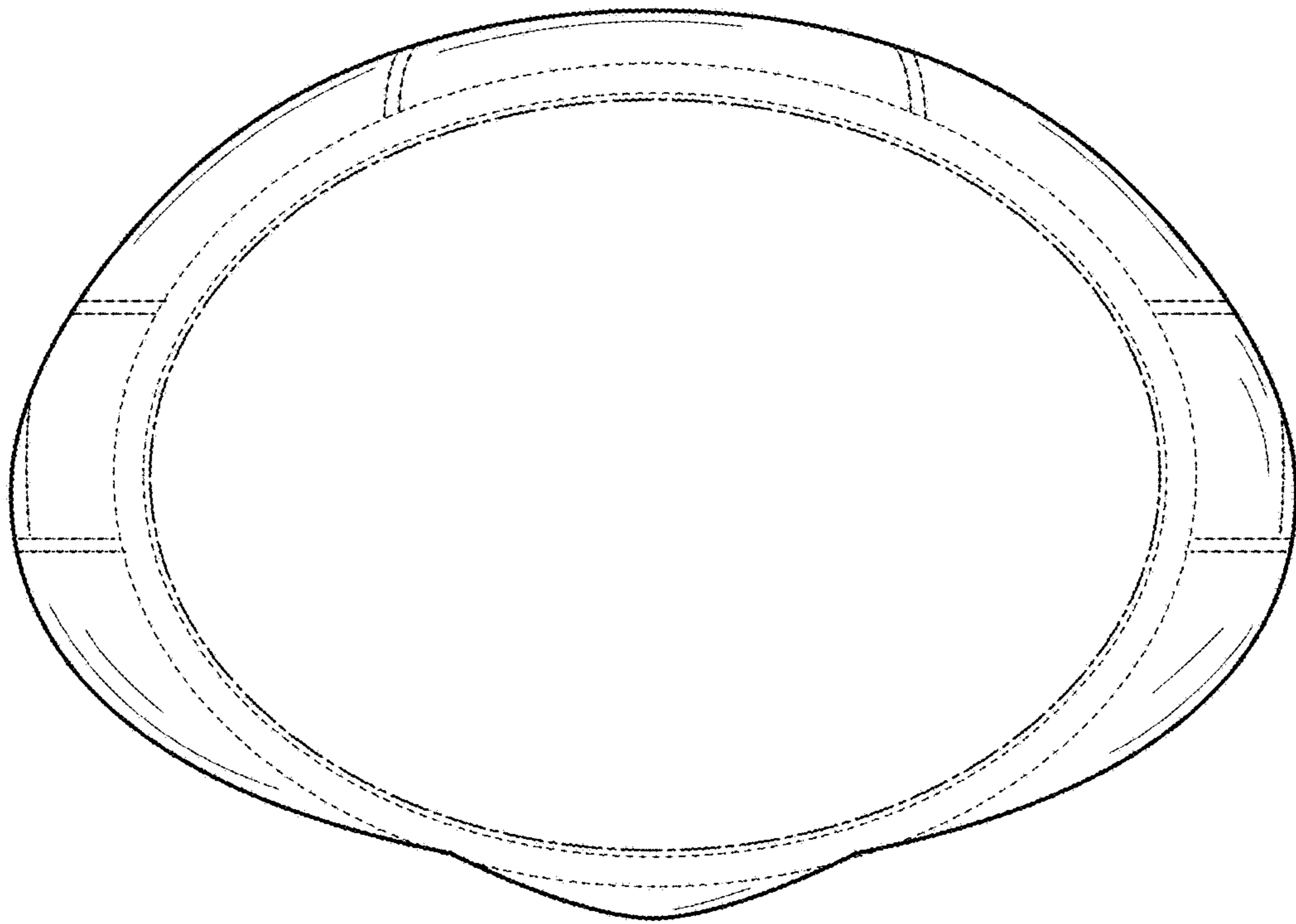


FIG. 6

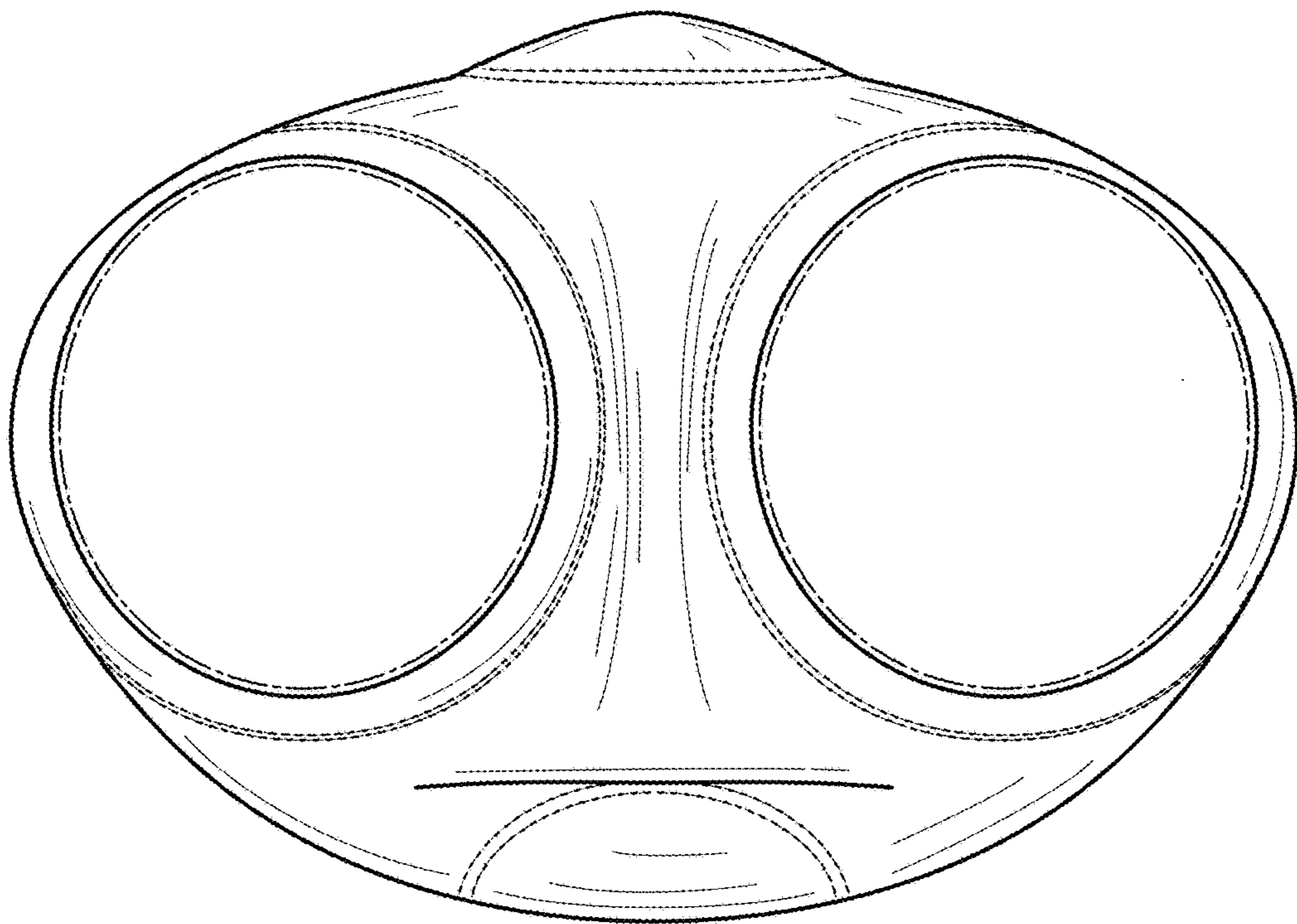


FIG. 7