



US00D783937S

(12) **United States Design Patent** (10) **Patent No.:** **US D783,937 S**  
**Miller et al.** (45) **Date of Patent:** **\*\* Apr. 18, 2017**

(54) **GARMENT BOTTOM**

(71) Applicant: **Under Armour, Inc.**, Baltimore, MD (US)

(72) Inventors: **Merida Miller**, Baltimore, MD (US);  
**Nicole Parisi**, New York, NY (US);  
**Elyse Alligood**, New York, NY (US);  
**Jeanne Foley**, New York, NY (US)

(73) Assignee: **Under Armour, Inc.**, Baltimore, MD (US)

(\*\*) Term: **15 Years**

(21) Appl. No.: **29/555,729**

(22) Filed: **Feb. 24, 2016**

(51) **LOC (10) Cl.** ..... **02-01**

(52) **U.S. Cl.**  
USPC ..... **D2/731**

(58) **Field of Classification Search**  
USPC ..... D2/711-717, 731-738, 742, 748, 857,  
D2/728, 860-864  
CPC ..... A63B 71/12; A63B 71/1216; A41D 1/08;  
A41B 11/00  
See application file for complete search history.

(56) **References Cited**

**U.S. PATENT DOCUMENTS**

D235,937 S	7/1975	Froidh	
D275,619 S	9/1984	Birring	
D281,540 S	12/1985	Ternstrom	
D284,036 S	6/1986	Birring	
D315,630 S *	3/1991	Larsen	D2/745
D339,902 S *	10/1993	Doherty	D2/738
D378,947 S *	4/1997	Desmond	D2/701
D382,386 S *	8/1997	Malone	D2/731
5,954,564 A	9/1999	Ganz	
D514,774 S	2/2006	Africa et al.	
D515,282 S *	2/2006	Africa	D2/714
D532,958 S	12/2006	Kent	

D572,430 S *	7/2008	Wong	D2/712
D613,037 S	4/2010	Iamartino et al.	
D613,928 S	4/2010	Iamartino et al.	
D615,279 S	5/2010	Savage	
D618,434 S	6/2010	Iamartino et al.	
D618,435 S	6/2010	Iamartino et al.	
D619,784 S	7/2010	Kanada et al.	
D641,134 S	7/2011	Zarabi	
D641,539 S	7/2011	Zarabi	
D645,644 S	9/2011	Iamartino	
D646,047 S *	10/2011	Arensdorf	D2/712
D654,661 S	2/2012	Savage	

(Continued)

**OTHER PUBLICATIONS**

Athleta Catalog, Runabout Pant, Item J, p. 37, Fall 2011, Petaluma, California.

(Continued)

*Primary Examiner* — Robin V Webster  
*Assistant Examiner* — James Thorn, Sr.

(57) **CLAIM**

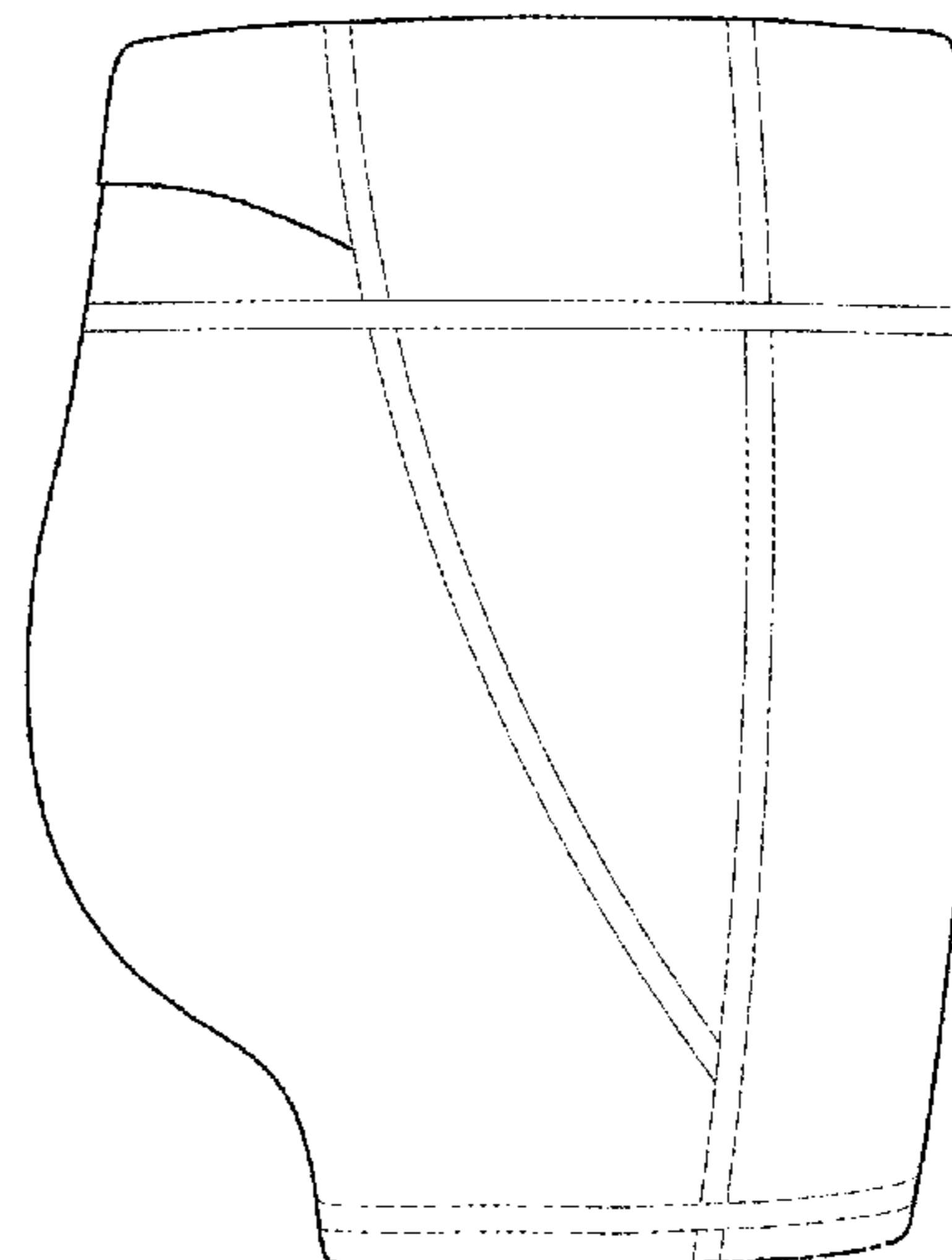
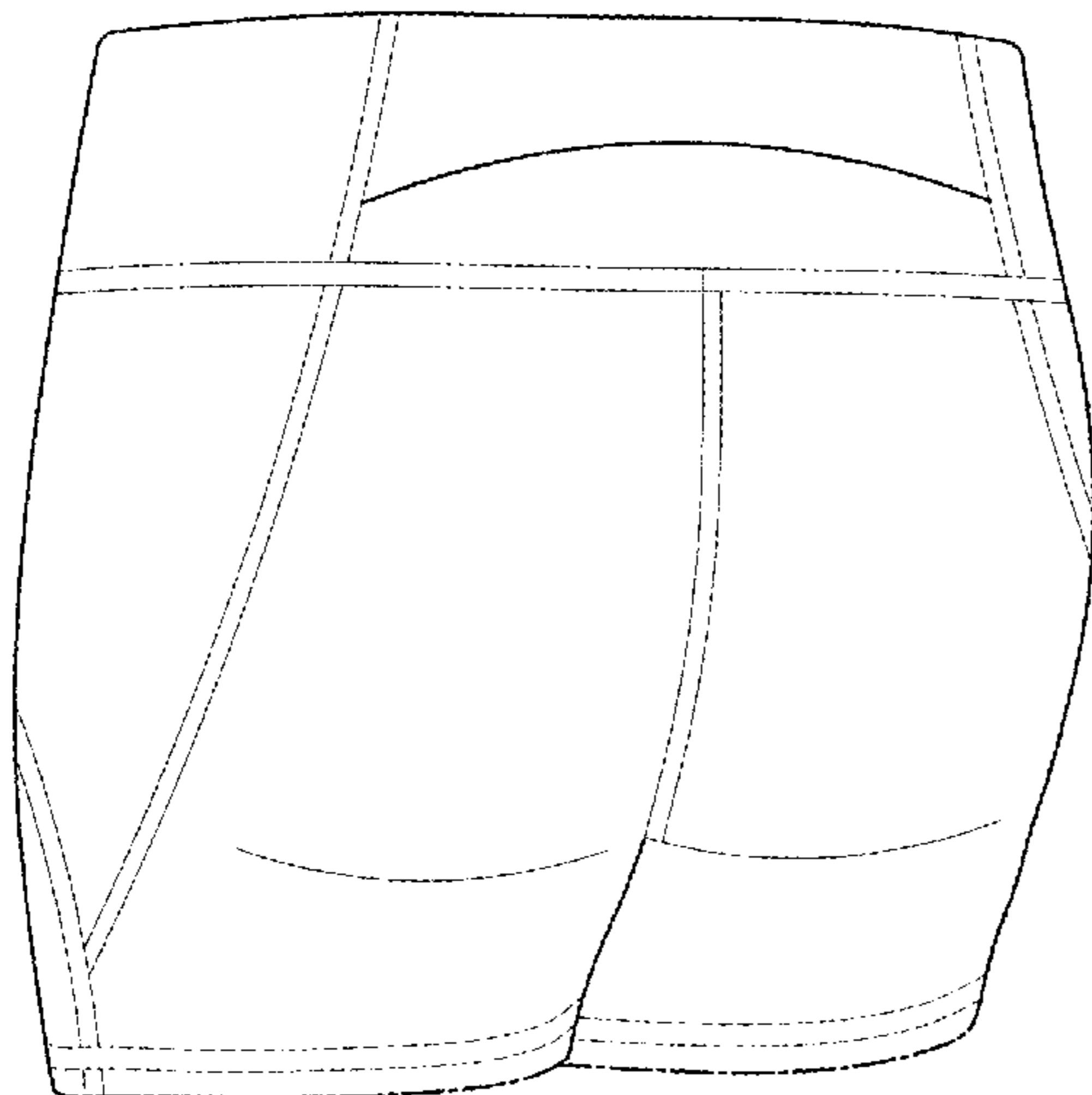
The ornamental design for a garment bottom, as shown and described.

**DESCRIPTION**

FIG. 1 is a rear perspective view of a garment bottom showing our new design;  
FIG. 2 is front view thereof;  
FIG. 3 is a rear view thereof;  
FIG. 4 is a left side view thereof;  
FIG. 5 is a right side view thereof;  
FIG. 6 is a top view thereof; and,  
FIG. 7 is a bottom view thereof.

The broken dashed line illustration in the drawings is not part of the claimed design. The broken dot-dashed line, which defines the bounds of the claimed design, forms no part thereof.

**1 Claim, 4 Drawing Sheets**



(56)

References Cited

U.S. PATENT DOCUMENTS

D660,553	S *	5/2012	Farina .....	D2/742
D661,872	S	6/2012	Iamartino	
D662,281	S	6/2012	Iamartino	
D668,434	S	10/2012	Iamartino	
D673,756	S	1/2013	Agnew et al.	
D686,801	S	7/2013	Farina	
D687,214	S	8/2013	Farina et al.	
D702,018	S *	4/2014	Ferraro .....	D2/712
D702,918	S *	4/2014	Radford .....	D2/712
D722,742	S *	2/2015	Abrams .....	D2/712
D741,045	S *	10/2015	Scherr .....	D2/731
D743,144	S *	11/2015	Swan .....	D2/738
D746,022	S *	12/2015	Maier .....	D2/731
D747,844	S *	1/2016	Dawson .....	D2/712
D747,845	S *	1/2016	Pasloski .....	D2/731
D753,896	S *	4/2016	Yoo .....	D2/731
D756,069	S *	5/2016	Astin .....	D2/712
D759,345	S *	6/2016	Astin .....	D2/712
D768,357	S *	10/2016	White .....	D2/731
2008/0083055	A1	4/2008	Onda	
2011/0009793	A1 *	1/2011	Lucero .....	A41D 13/0015 602/62
2011/0131705	A1	6/2011	Waldman et al.	
2012/0036615	A1	2/2012	Bradstreet et al.	
2014/0276325	A1 *	9/2014	Turkbas .....	A41D 13/0525 602/72
2016/0338435	A1 *	11/2016	Aihara .....	A41D 27/28

OTHER PUBLICATIONS

Athleta Catalog, Organic Cotton Salamba Pant, p. 64, Fall 2011, Petaluma, California.  
 Athleta Catalog, Kickbooty Pant, p. 65, Fall 2011, Petaluma, California.

\* cited by examiner

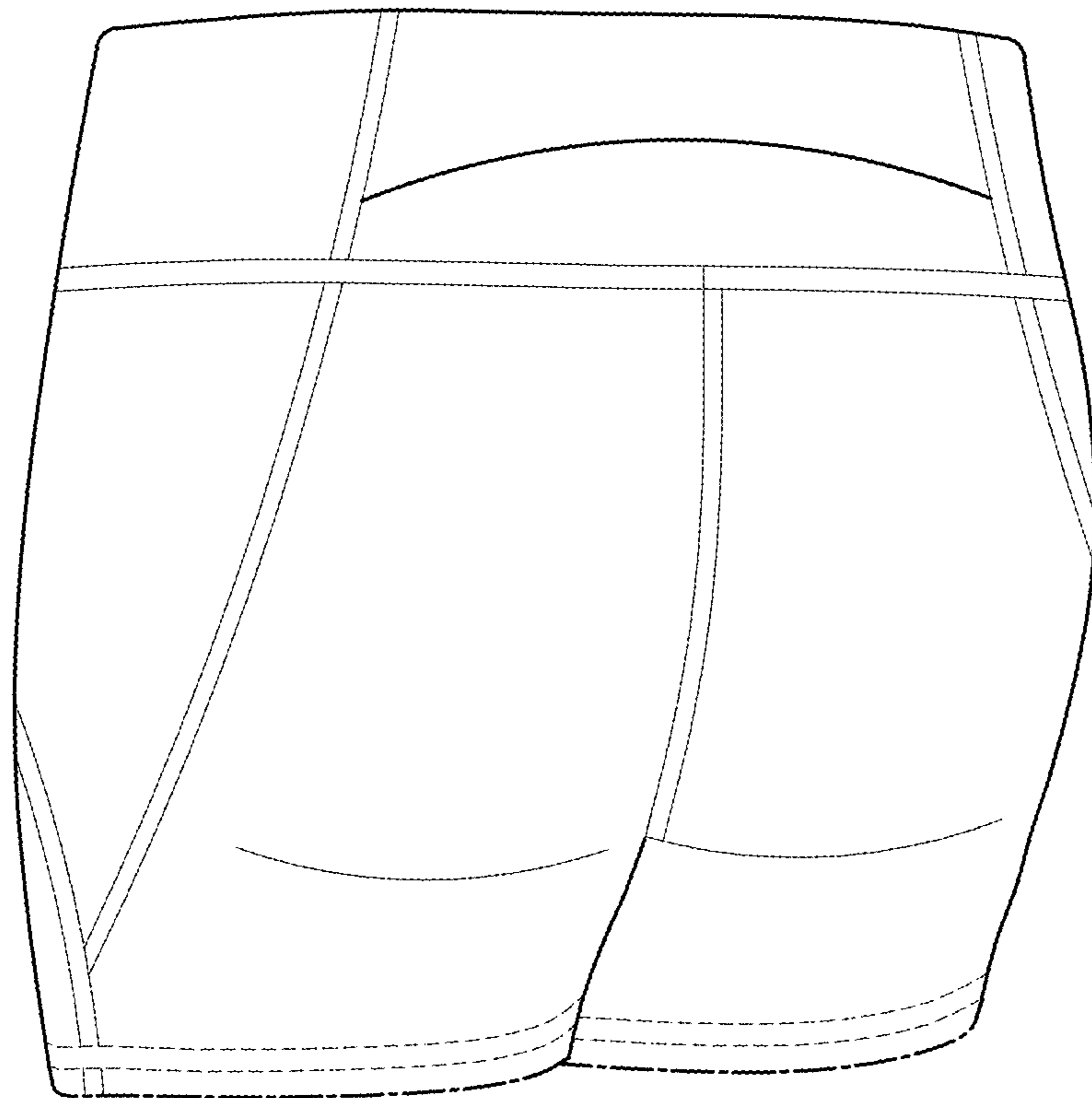


FIG.1

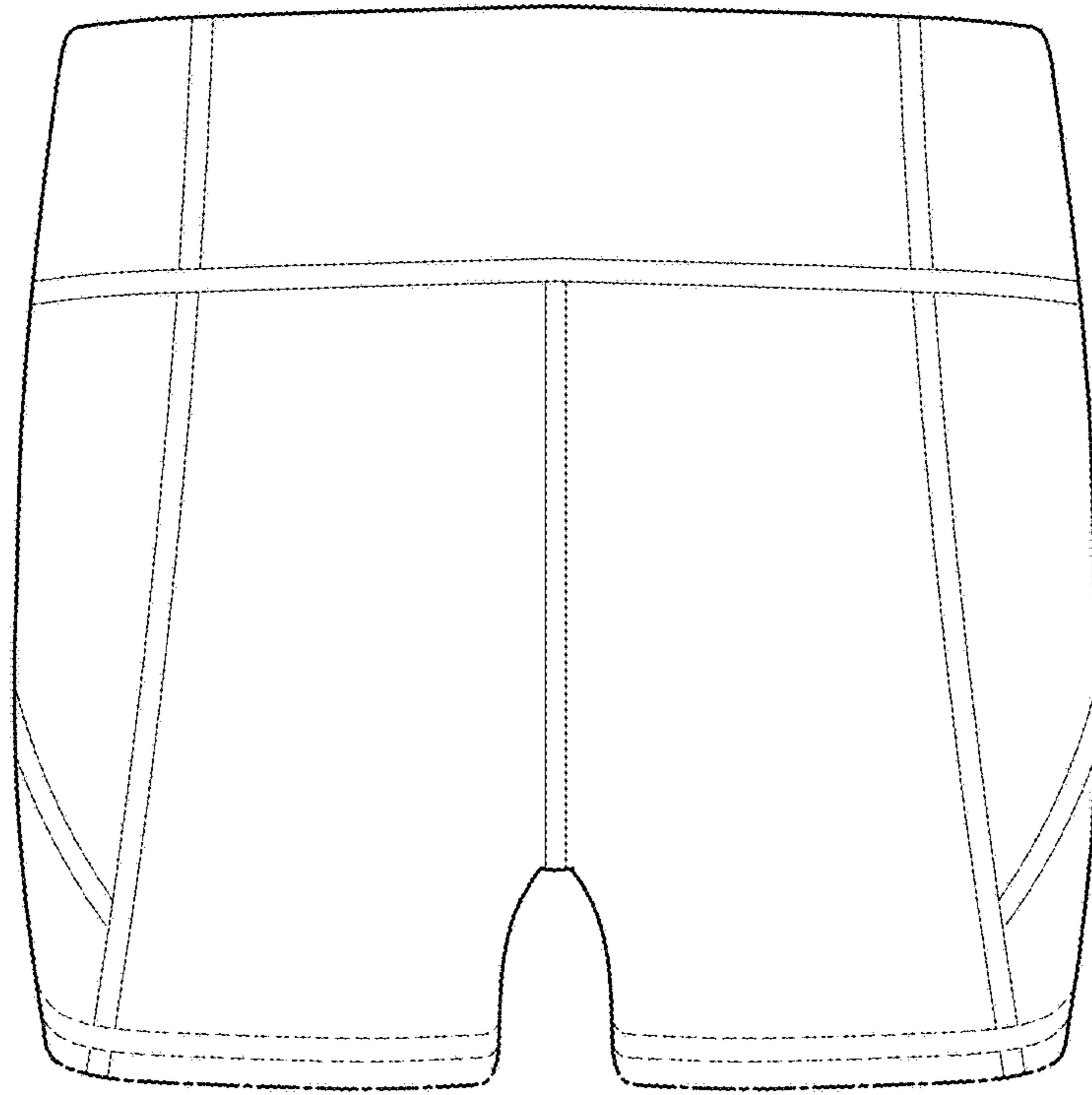


FIG.2

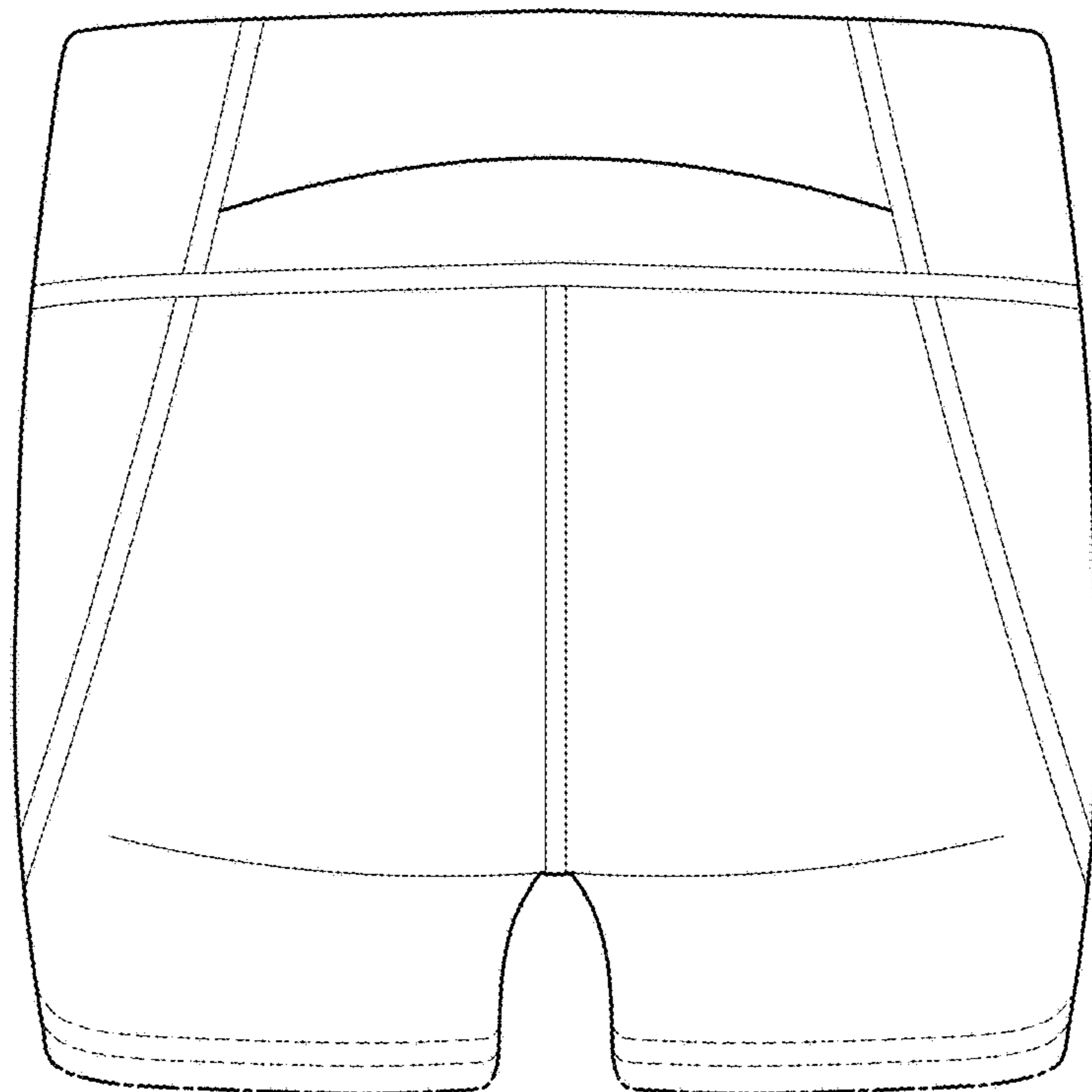


FIG.3

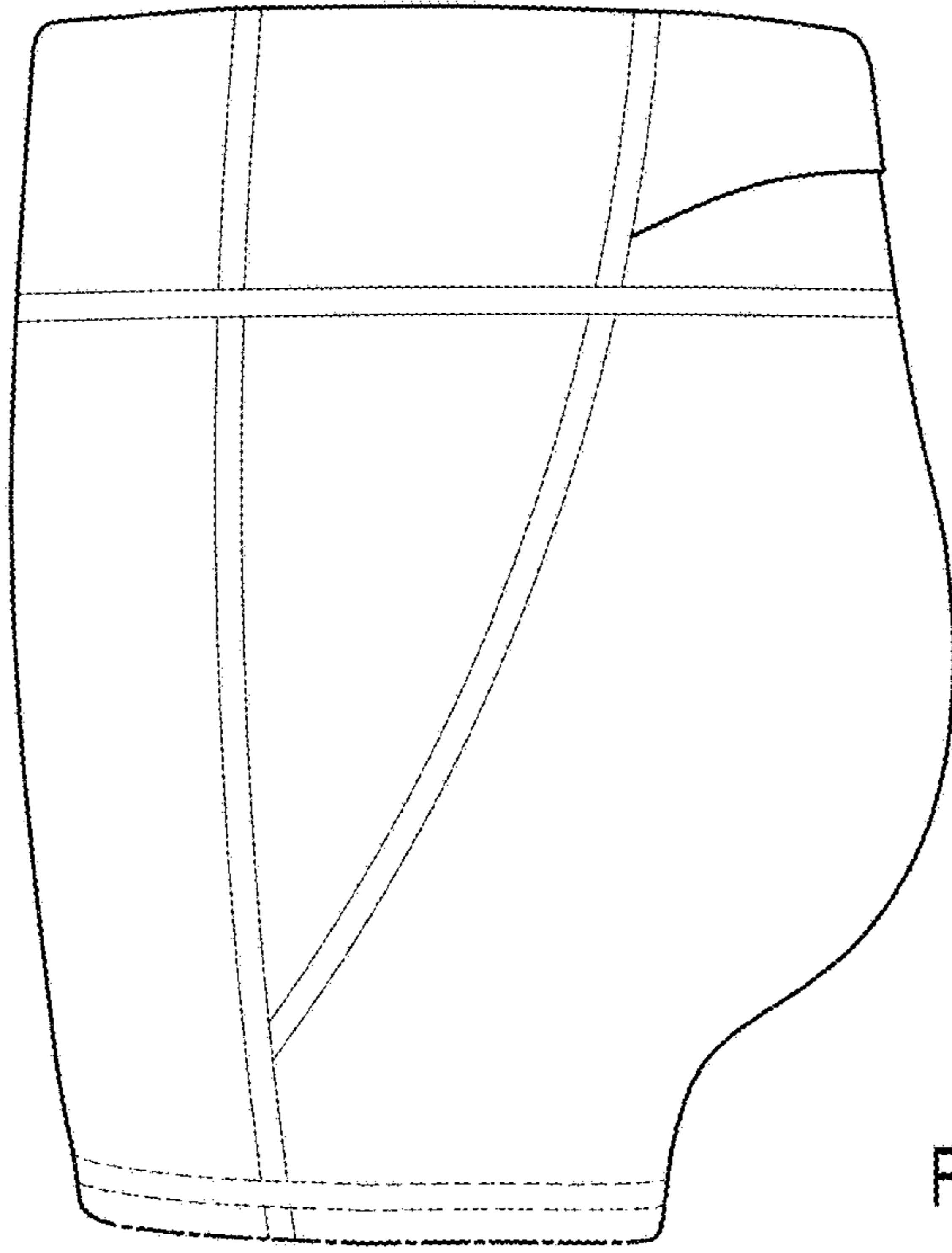


FIG. 4

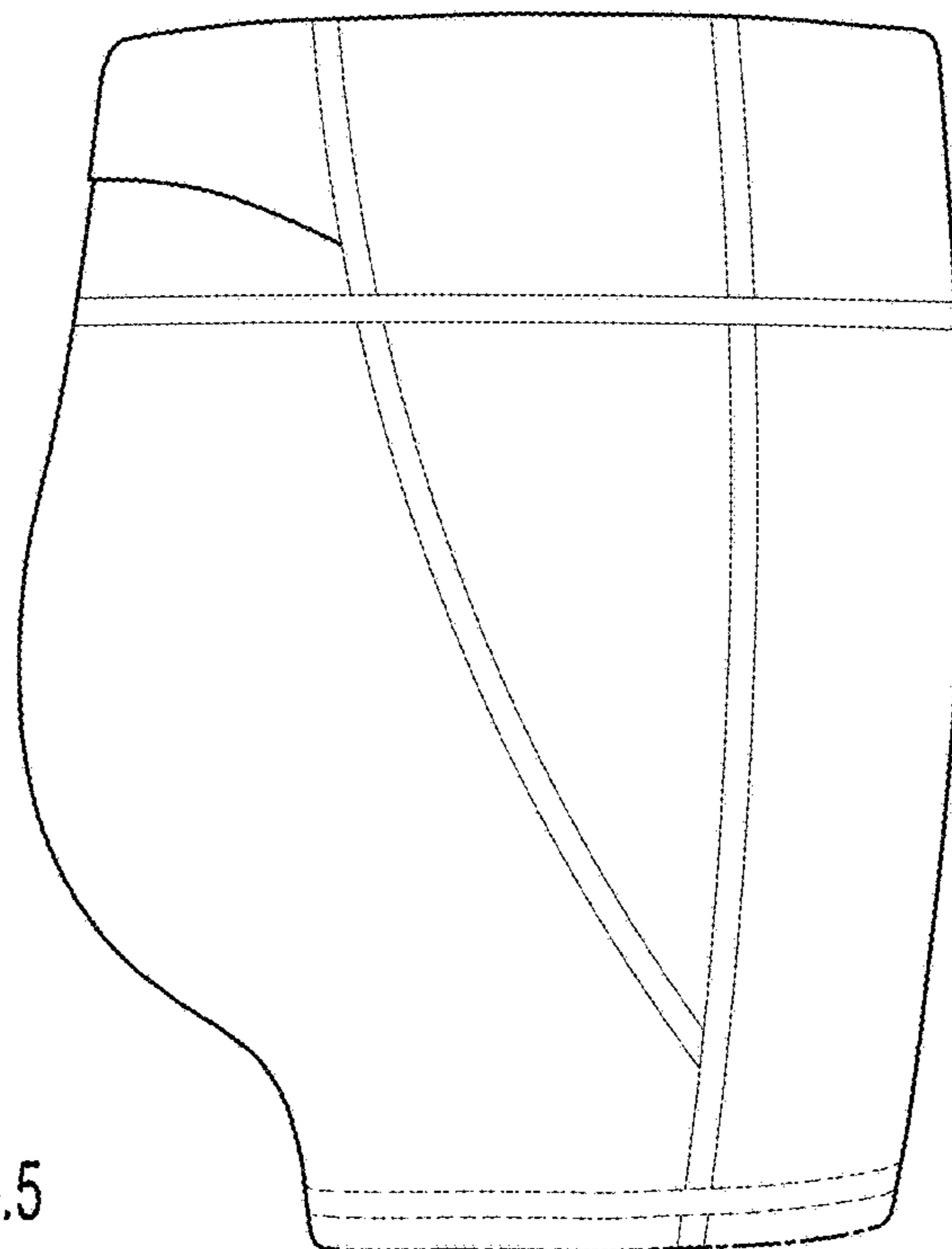


FIG. 5

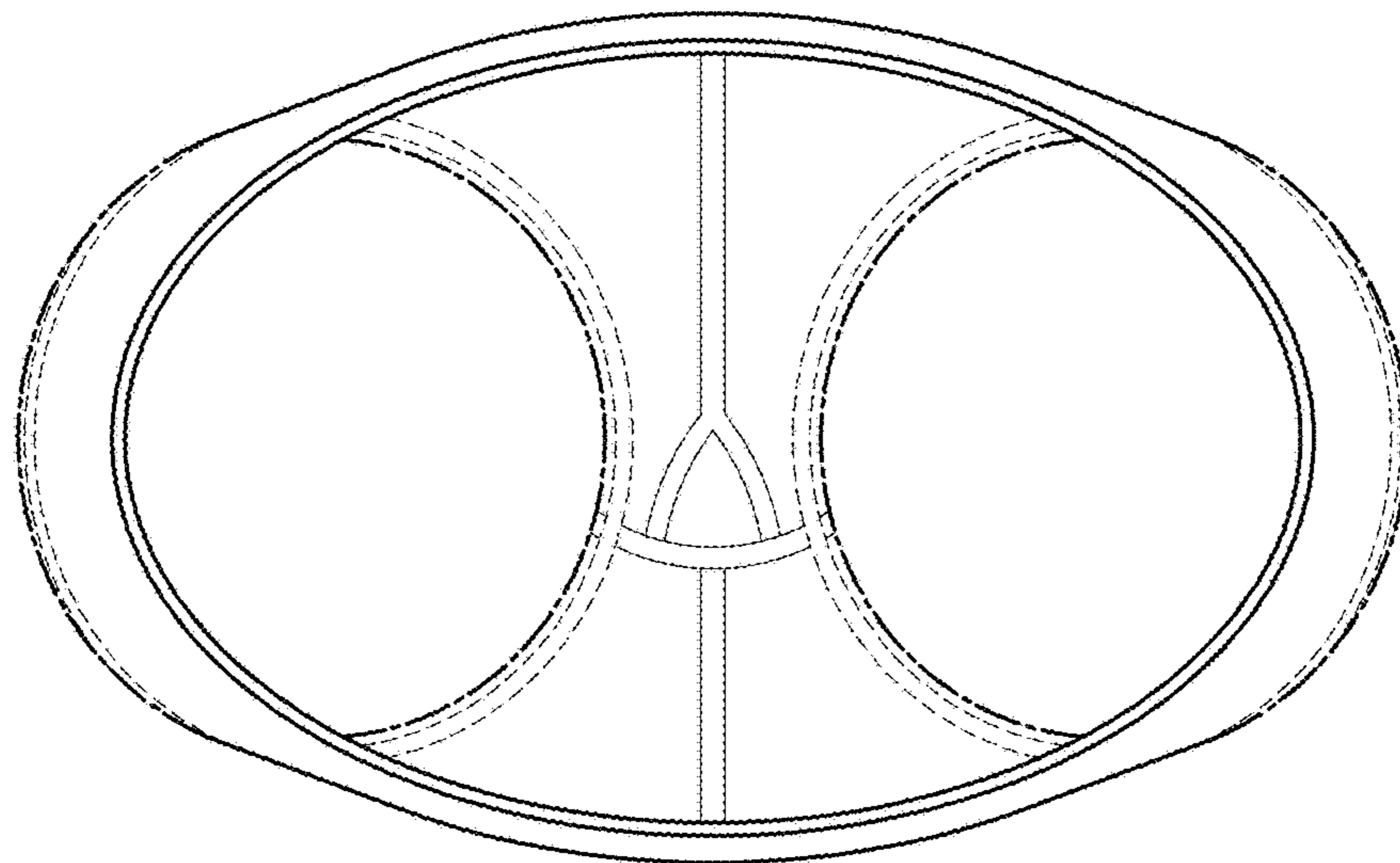


FIG. 6

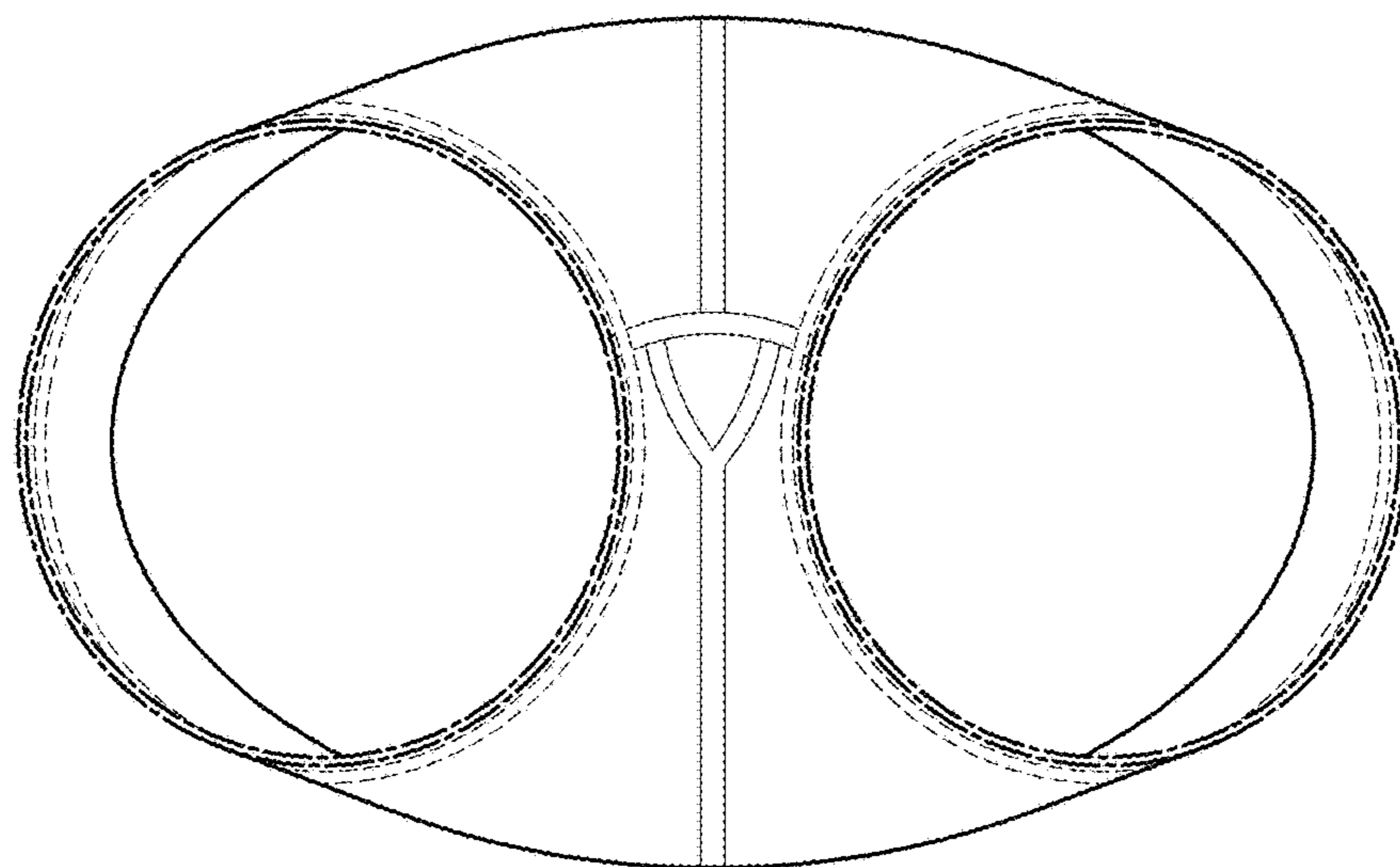


FIG. 7