



US00D783923S

(12) **United States Design Patent**
Bernart et al.

(10) **Patent No.:** **US D783,923 S**

(45) **Date of Patent:** **** Apr. 11, 2017**

(54) **RAMP**

2,141,529 A 12/1938 Gravelle
2,779,489 A 1/1957 Boom
3,339,968 A 9/1967 Hall

(71) Applicant: **Cequent Consumer Products, Inc.**,
Solon, OH (US)

(Continued)

(72) Inventors: **Francis Bernart**, N. Canton, OH (US);
Matthew Romanak, Garfield Heights,
OH (US)

FOREIGN PATENT DOCUMENTS

CH 1038445 8/1966
CH ZL201220525155.3 10/2012

(Continued)

(73) Assignee: **Cequent Consumer Products, Inc.**,
Solon, OH (US)

Primary Examiner — Cynthia Ramirez

(**) Term: **14 Years**

(74) *Attorney, Agent, or Firm* — McDonald Hopkins LLC

(21) Appl. No.: **29/492,466**

(57) **CLAIM**

The ornamental design of a ramp, as shown and described.

(22) Filed: **May 30, 2014**

DESCRIPTION

(51) **LOC (10) Cl.** **12-05**

FIG. 1 is a perspective view of a ramp showing our new design;

(52) **U.S. Cl.**

FIG. 2 is a front view thereof;

USPC **D34/32**

FIG. 3 is a rear view thereof;

(58) **Field of Classification Search**

USPC D34/28, 32; 14/2.4, 69.5, 71.1; 414/537,
414/523

FIG. 4 is a first side view thereof;

CPC . B65G 69/30; B60P 1/43; B60P 1/431; A61G
3/061

FIG. 5 is a second side view thereof;

See application file for complete search history.

FIG. 6 is a top plan view thereof;

FIG. 7 is a bottom plan view thereof;

FIG. 8 is a bottom perspective view thereof;

FIG. 9 is a perspective view of a second embodiment of a ramp showing our new design;

(56) **References Cited**

U.S. PATENT DOCUMENTS

426,209 A 4/1890 McIntyre
963,918 A 7/1910 Miller
976,666 A * 11/1910 Lucas 193/1
1,194,819 A 8/1916 Clark
1,232,437 A 7/1917 Simpson
1,504,744 A 8/1924 Cox
1,568,303 A 1/1926 Webster
1,626,597 A 5/1927 Cantor
1,635,462 A 7/1927 Cummings
1,659,928 A 2/1928 Townsend
2,122,301 A 6/1938 Soss et al.

FIG. 10 is a front view thereof;

FIG. 11 is a rear view thereof;

FIG. 12 is a first side view thereof;

FIG. 13 is a second side view thereof;

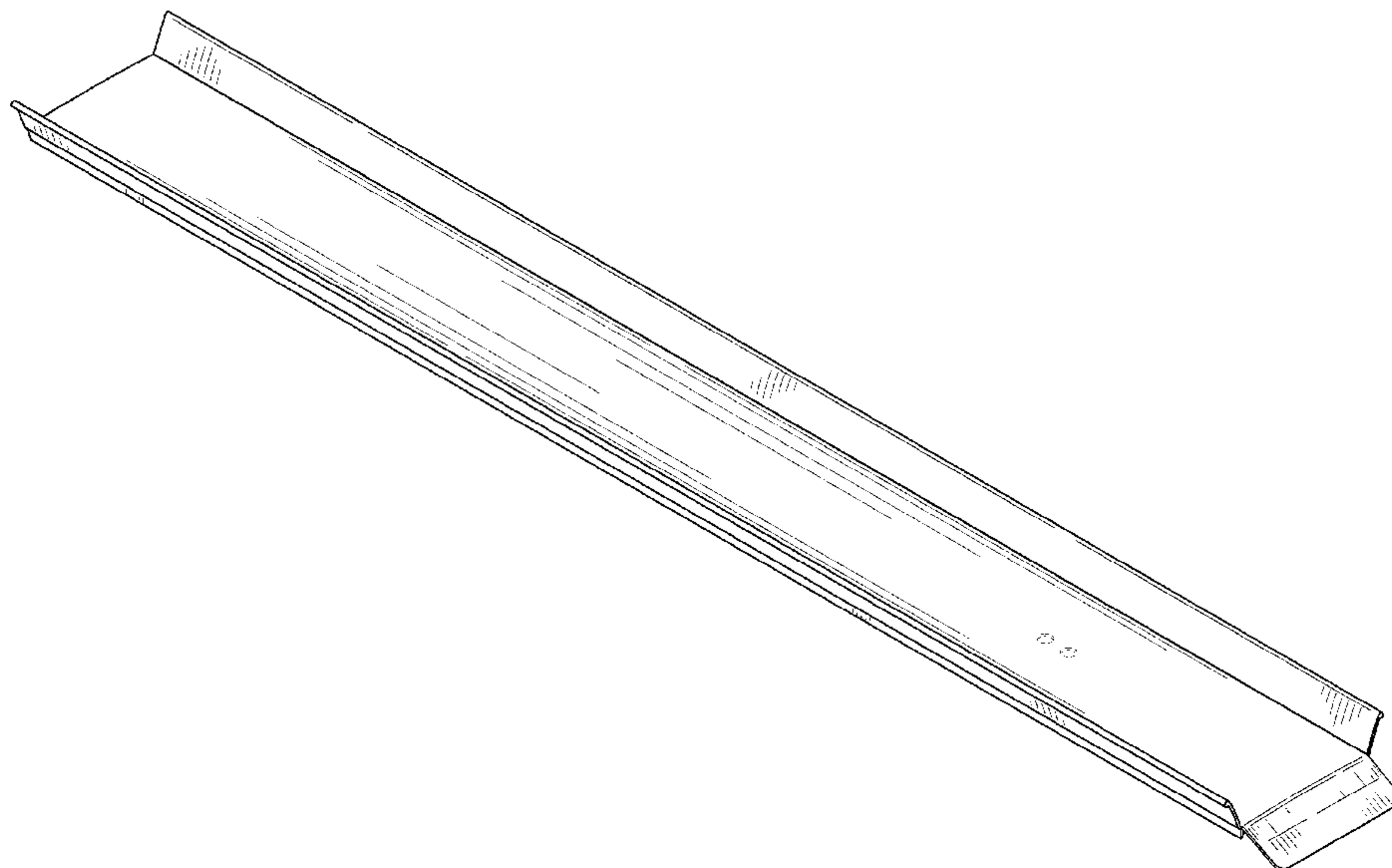
FIG. 14 is a top plan view thereof;

FIG. 15 is a bottom plan view thereof; and,

FIG. 16 is a bottom perspective view thereof.

The features shown in broken lines in the drawing figures depict environmental subject matter only and form no part of the claimed design.

1 Claim, 8 Drawing Sheets



(56)

References Cited

U.S. PATENT DOCUMENTS

3,352,440 A 11/1967 Wilson
 3,510,015 A 5/1970 Roshaven
 3,517,772 A 6/1970 Weis et al.
 3,532,058 A 10/1970 van der Meide
 3,580,373 A 5/1971 Stickle
 3,613,920 A 10/1971 Flamm
 3,642,156 A 2/1972 Stenson
 3,713,553 A 1/1973 Curtis et al.
 3,735,454 A 5/1973 Goldstein
 3,737,058 A 6/1973 Johnson
 3,818,528 A 6/1974 Petersen
 3,977,545 A 8/1976 Lloyd
 3,984,891 A 10/1976 Weinmann
 4,039,163 A 8/1977 Shorey
 4,047,701 A 9/1977 Glaesener
 4,098,414 A 7/1978 Abiera
 4,127,201 A 11/1978 Baumann
 4,186,901 A 2/1980 Shorey
 4,285,514 A 8/1981 Romero
 4,341,371 A * 7/1982 Rotella 254/88
 4,443,905 A 4/1984 Kopp
 4,478,549 A 10/1984 Stelly et al.
 4,528,711 A 7/1985 Packer
 4,668,002 A 5/1987 Hanson
 4,722,109 A 2/1988 Mountz
 4,726,155 A 2/1988 Nahmias
 4,727,612 A 3/1988 Smith
 4,735,454 A 4/1988 Bernard
 4,759,682 A * 7/1988 Hood 414/537
 4,761,847 A 8/1988 Savage et al.
 4,779,298 A 10/1988 Nichols, Sr. et al.
 4,853,999 A 8/1989 Smith
 4,864,672 A 9/1989 Altieri et al.
 4,874,284 A 10/1989 New, Jr.
 4,878,800 A 11/1989 Dell
 D311,798 S * 10/1990 Boots et al. D34/32
 4,995,129 A 2/1991 Comardo
 5,001,798 A * 3/1991 Hamilton 14/69.5
 5,077,852 A * 1/1992 Karlsson 14/69.5
 5,096,362 A 3/1992 Best
 5,133,584 A 7/1992 McCleary
 5,133,634 A 7/1992 Gingrich et al.
 5,156,432 A 10/1992 McCleary
 5,169,202 A 12/1992 Cupp et al.
 5,211,437 A 5/1993 Gerulf
 5,213,458 A 5/1993 Preller et al.
 5,273,335 A 12/1993 Belnap et al.
 5,287,579 A 2/1994 Estevez, Jr.
 5,325,558 A 7/1994 Labreche
 D353,701 S 12/1994 Beavers et al.
 D353,929 S * 12/1994 Kincaid D34/32
 D353,930 S * 12/1994 Johnson D34/32
 D357,789 S * 4/1995 Port D34/32
 D358,924 S * 5/1995 Achenbach D34/32
 5,438,308 A 8/1995 Leupold et al.
 5,440,773 A 8/1995 Lentini
 5,481,773 A 1/1996 Alten
 5,538,308 A 7/1996 Floe
 D373,885 S * 9/1996 Holland, Jr. D34/32
 5,553,989 A 9/1996 Ullman
 5,560,063 A 10/1996 Alten et al.
 5,608,937 A 3/1997 Seigneur et al.
 5,640,733 A 6/1997 Alten et al.

D382,676 S * 8/1997 Holbrook D30/119
 5,768,733 A 6/1998 Kneebone
 D398,129 S 9/1998 Sacks et al.
 D401,731 S * 11/1998 Jeruss D34/32
 5,853,281 A 12/1998 Farmer
 5,870,788 A 2/1999 Witkin
 5,926,889 A 7/1999 Riesselmann et al.
 5,933,898 A 8/1999 Estes et al.
 5,988,725 A 11/1999 Cole
 6,009,587 A 1/2000 Beeman
 6,139,249 A 10/2000 Lucht
 D434,542 S * 11/2000 Wickstead D34/32
 6,227,593 B1 5/2001 De Valcourt
 6,267,082 B1 * 7/2001 Naragon et al. 119/849
 6,715,177 B1 * 4/2004 Lagergren-Julander 14/69.5
 6,722,721 B2 4/2004 Sherrer et al.
 6,746,068 B1 6/2004 Hurd
 D494,336 S * 8/2004 Smith D34/32
 D494,726 S * 8/2004 Smith D34/32
 6,811,067 B2 11/2004 Muizelaar et al.
 6,842,930 B2 1/2005 Massey et al.
 6,875,116 B2 * 4/2005 Tessier 472/89
 7,100,231 B2 9/2006 Peschmann
 7,179,042 B1 2/2007 Hartmann et al.
 7,299,517 B1 11/2007 Adinolfi
 7,478,449 B2 1/2009 Williams
 7,488,025 B1 2/2009 Roberson
 7,524,156 B2 4/2009 Garbes
 D596,368 S * 7/2009 Holicki D34/32
 D617,972 S * 6/2010 Lucht D34/32
 7,895,693 B2 3/2011 Woodmansee, III et al.
 7,926,139 B2 4/2011 Metcalfe et al.
 D640,854 S * 6/2011 Leum D34/32
 8,074,314 B2 * 12/2011 Lucht 14/69.5
 8,495,779 B2 7/2013 Metcalfe et al.
 8,656,542 B2 2/2014 Metcalfe et al.
 8,707,495 B2 4/2014 Romanak et al.
 D706,513 S * 6/2014 LaBarbera et al. D34/32
 8,914,932 B2 12/2014 Romanak et al.
 2001/0031193 A1 10/2001 Chevrier
 2001/0039687 A1 11/2001 Hahn et al.
 2002/0070079 A1 6/2002 Rosenwinkel
 2002/0088065 A1 7/2002 Schmaltz et al.
 2004/0083562 A1 5/2004 Leblanc
 2006/0177294 A1 8/2006 Garbes
 2006/0200919 A1 9/2006 Frahm et al.
 2007/0199166 A1 8/2007 Peschmann
 2007/0237615 A1 * 10/2007 Bailie et al. 414/467
 2010/0242189 A1 * 9/2010 Goin et al. 14/71.1
 2011/0008140 A1 * 1/2011 Hansen et al. 414/523
 2011/0252582 A1 10/2011 Metcalfe et al.
 2013/0043093 A1 2/2013 Smith
 2013/0091639 A1 4/2013 Romanak et al.
 2014/0356121 A1 * 12/2014 Leum 414/800
 2015/0074924 A1 * 3/2015 Bernart 14/69.5

FOREIGN PATENT DOCUMENTS

DE 370353 3/1923
 DE 1243589 6/1967
 DE 2106972 11/1978
 DE 4234592 9/1993
 GB 499208 1/1939
 WO WO89/06199 7/1989
 WO WO94/05878 3/1994

* cited by examiner

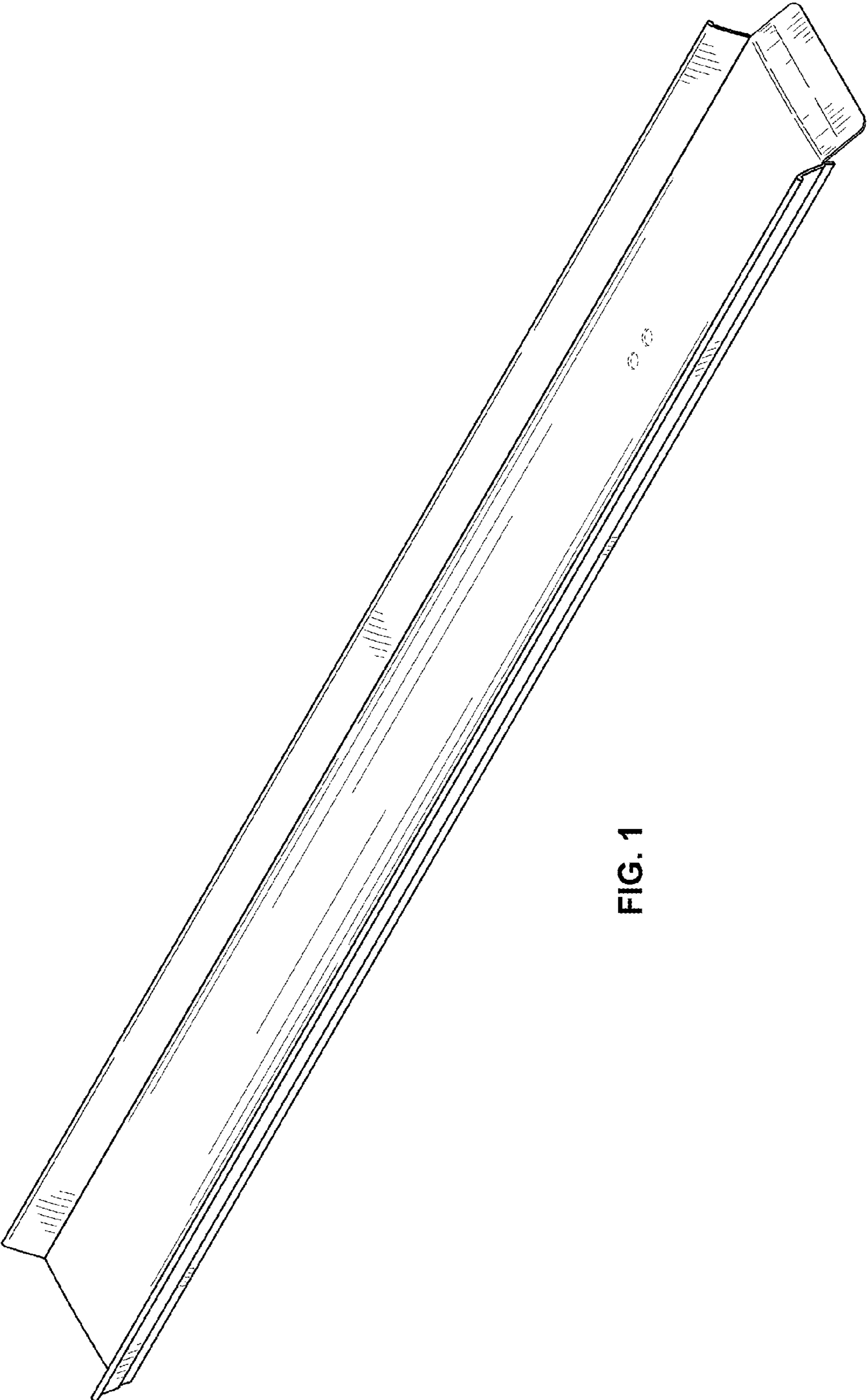


FIG. 1

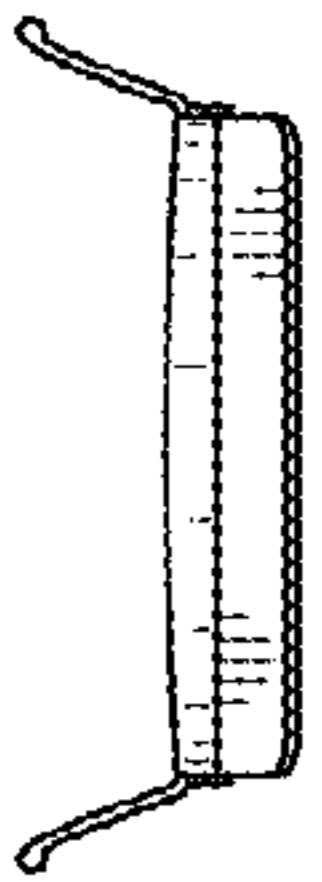


FIG. 2

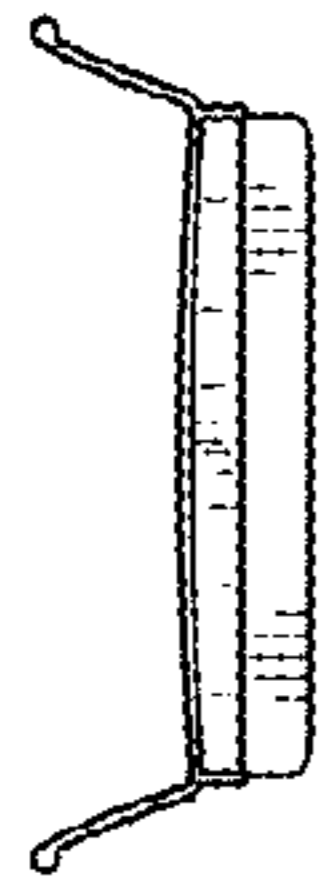


FIG. 3

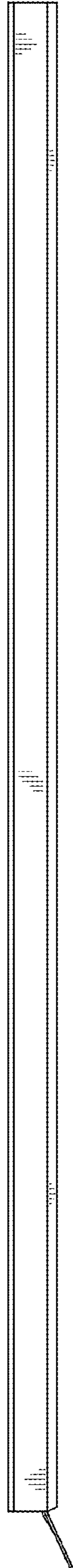


FIG. 4

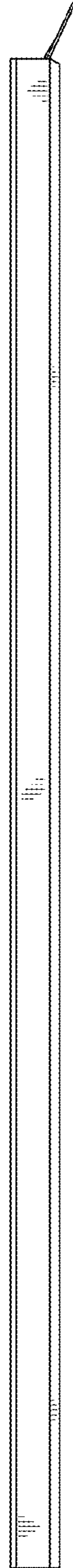


FIG. 5

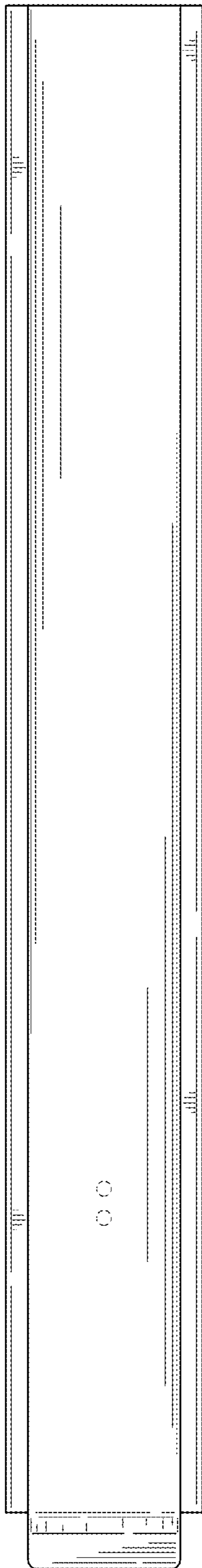


FIG. 6

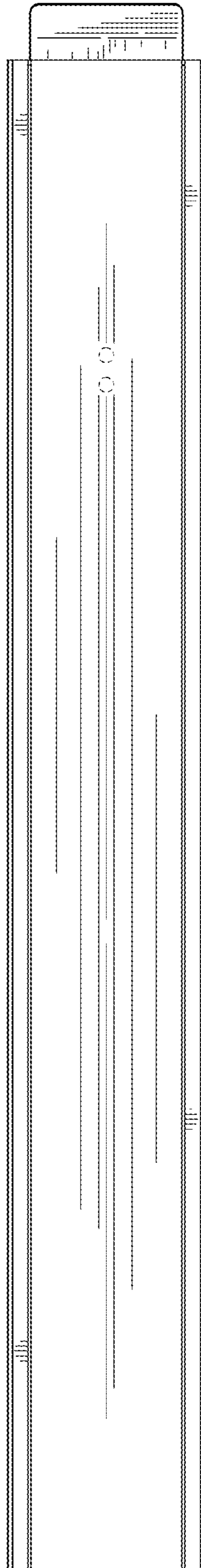


FIG. 7

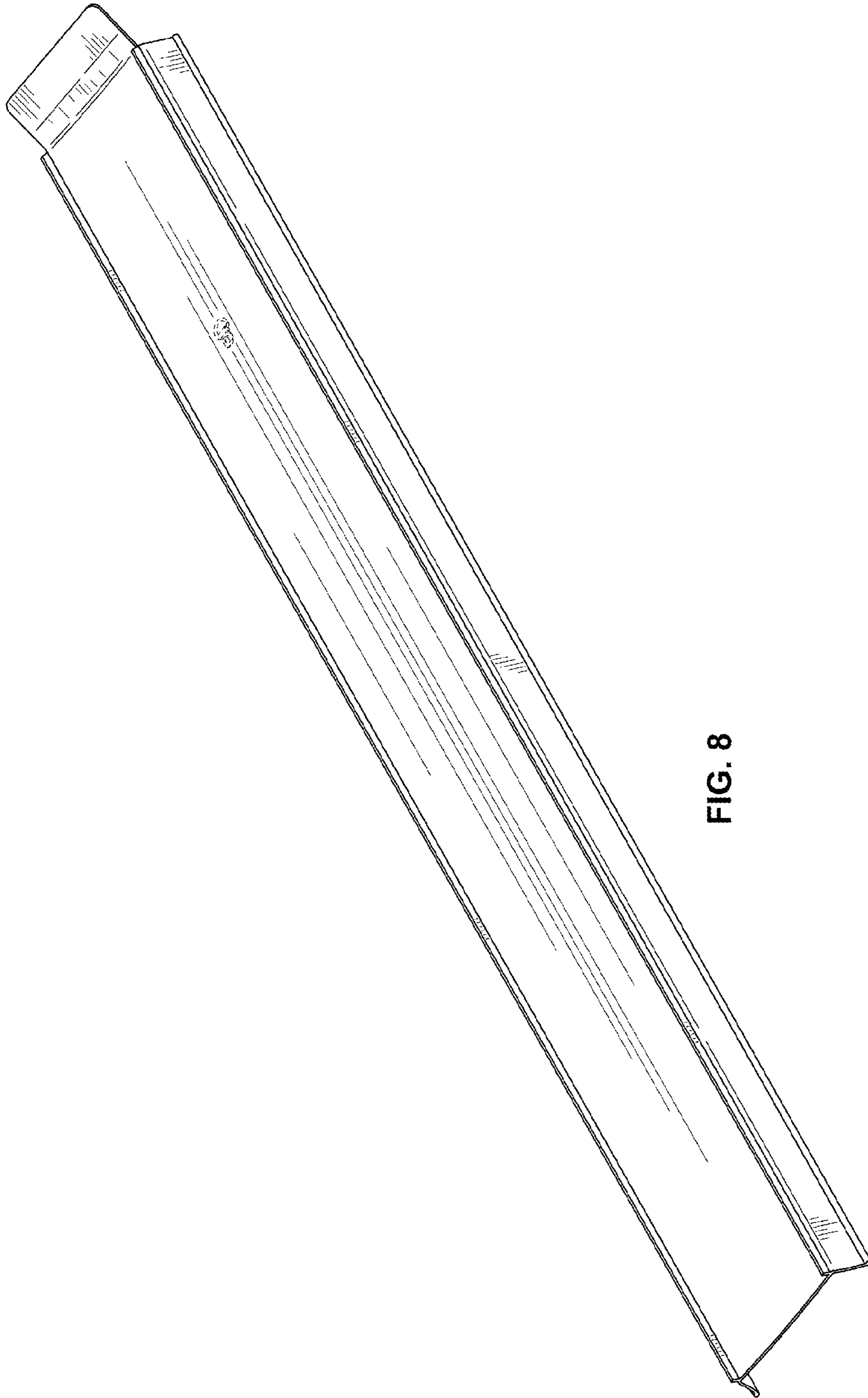


FIG. 8

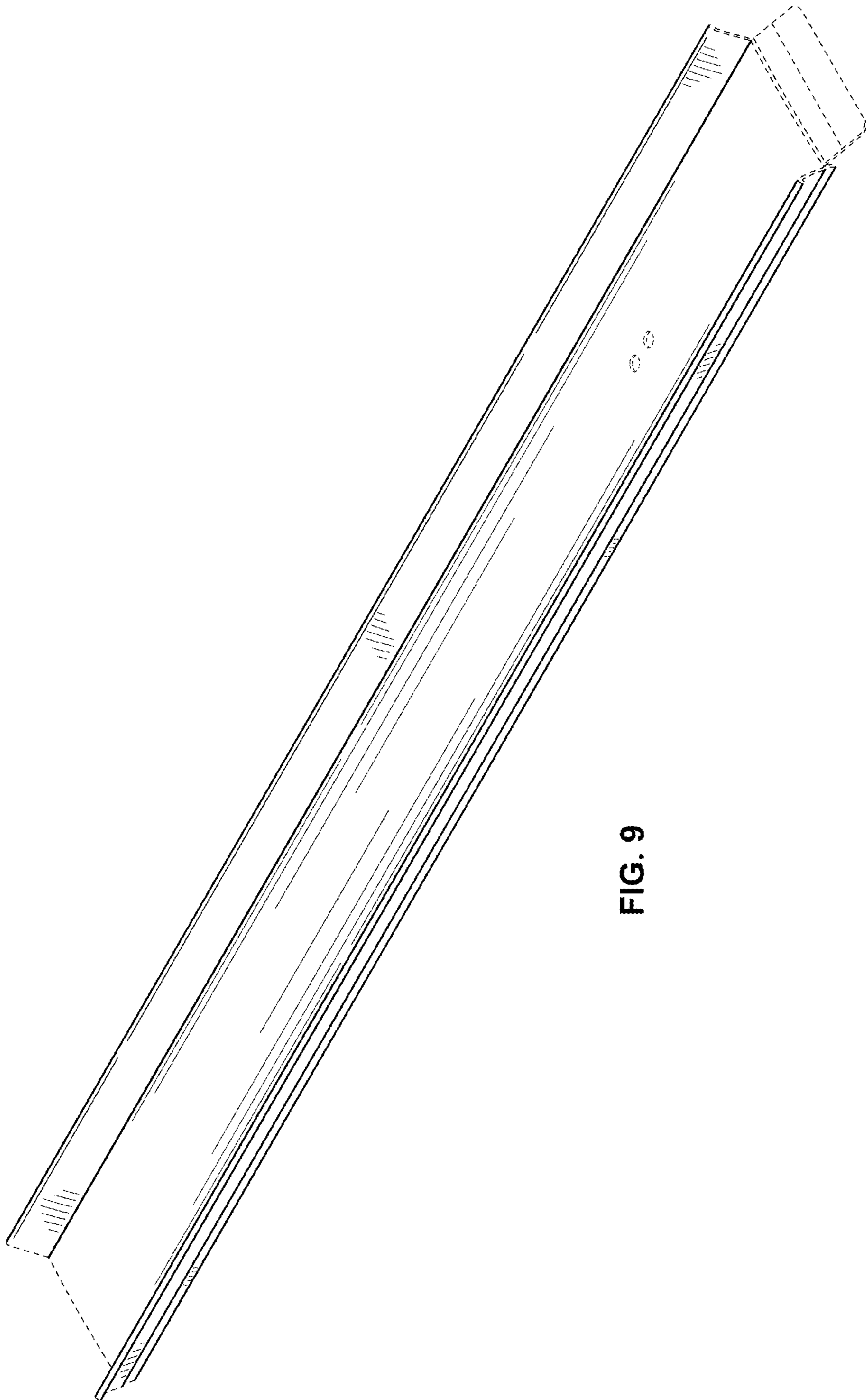


FIG. 9

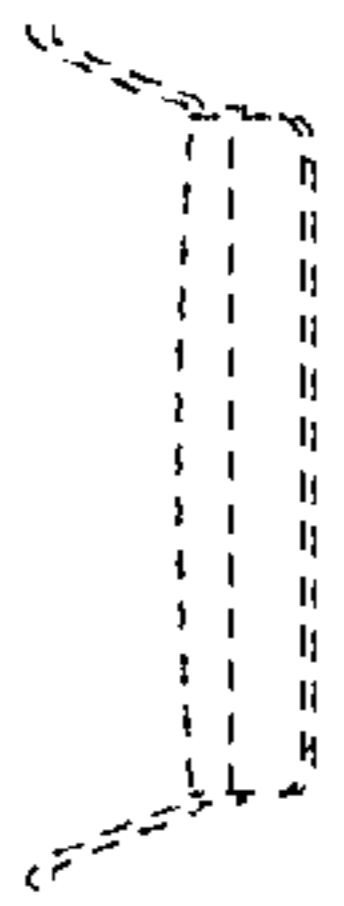


FIG. 10

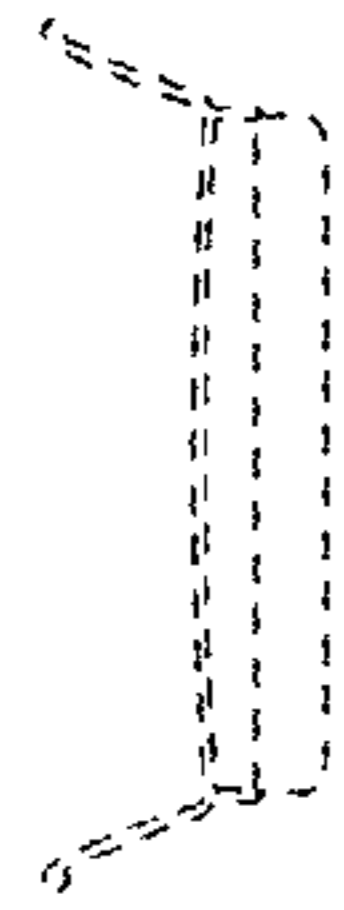


FIG. 11

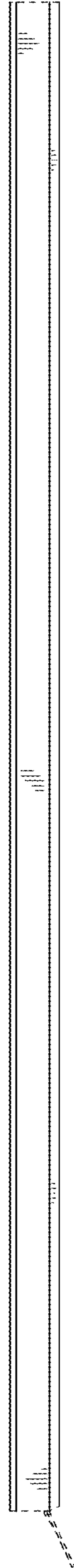


FIG. 12

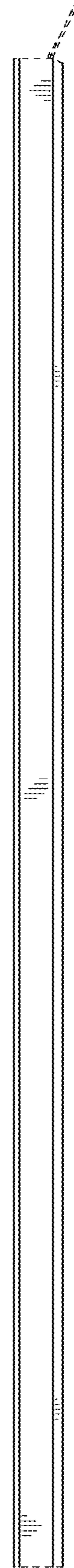


FIG. 13

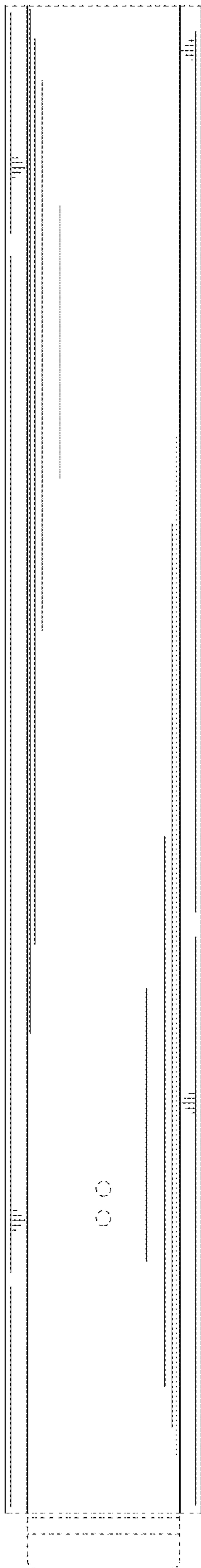


FIG. 14

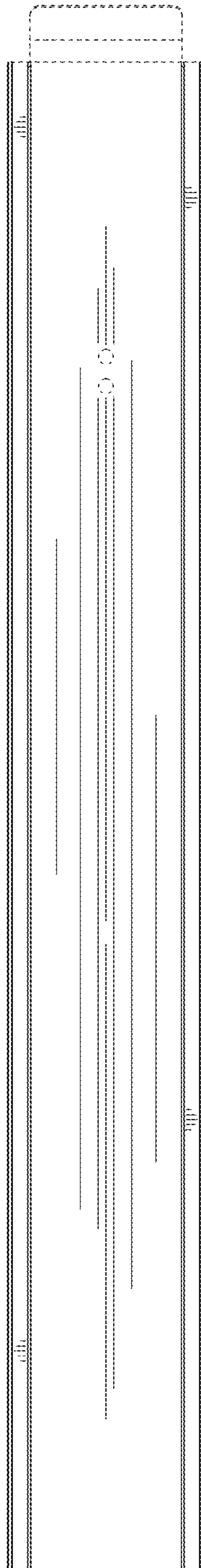


FIG. 15

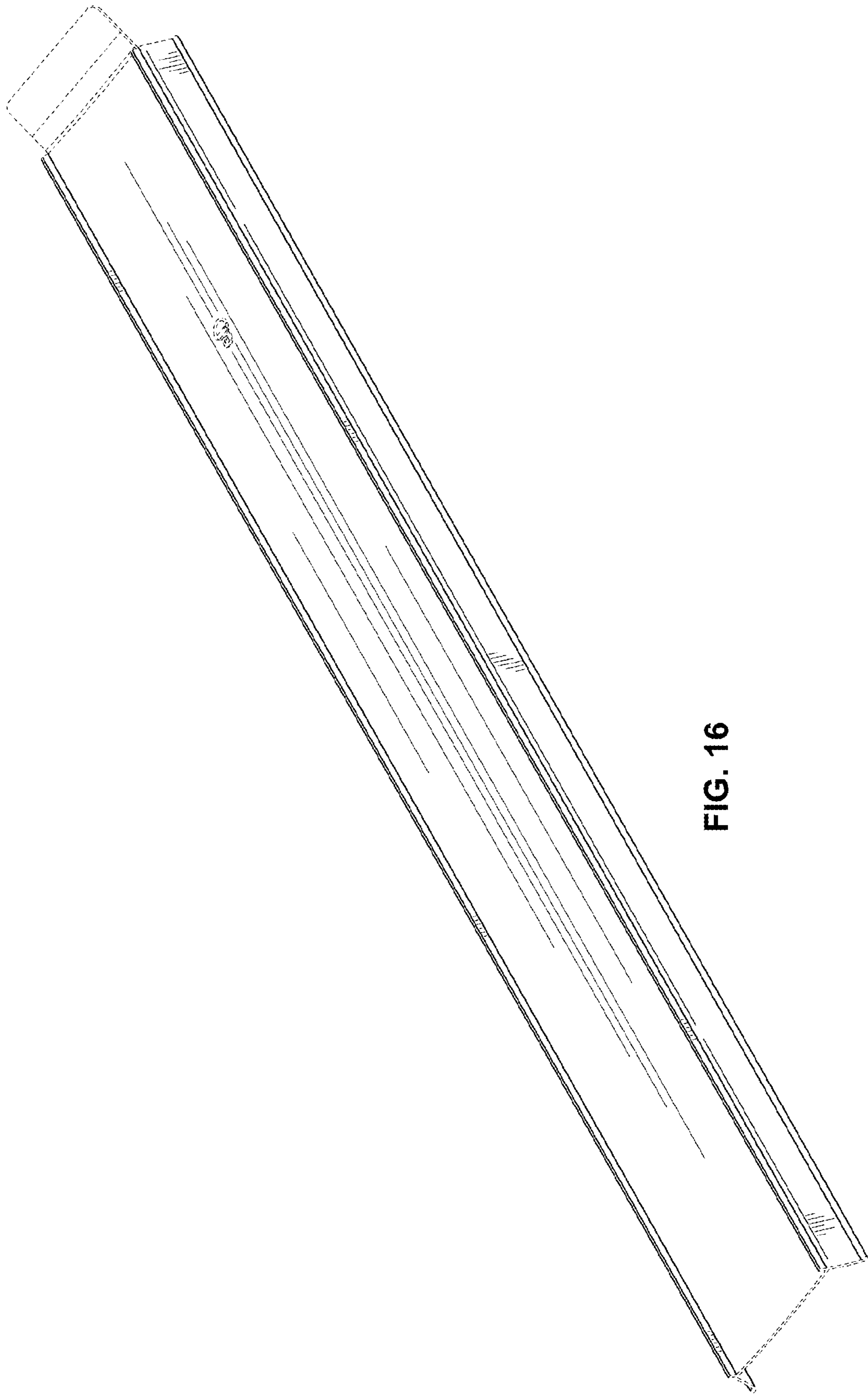


FIG. 16