



US00D783921S

(12) **United States Design Patent**
Malengo

(10) **Patent No.:** **US D783,921 S**

(45) **Date of Patent:** **** Apr. 11, 2017**

(54) **TOOL TROLLEY**

(71) Applicant: **Beta Utensili S.p.A.**

(72) Inventor: **Giovanni Malengo**, Besana in Brianza (IT)

(73) Assignee: **BETA UTENSILI S.P.A.**, Sovico (MB) (IT)

(**) Term: **15 Years**

(21) Appl. No.: **29/535,523**

(22) Filed: **Aug. 7, 2015**

(51) **LOC (10) Cl.** **12-02**

(52) **U.S. Cl.**
USPC **D34/19**

(58) **Field of Classification Search**
USPC D34/12-25; 280/651, 47.34, 47.38,
280/47.35, 79.3, 79.2; D6/671

(Continued)

(56) **References Cited**

U.S. PATENT DOCUMENTS

D361,910 S * 9/1995 Maple D34/19
5,669,617 A * 9/1997 Pasin B62B 3/02
280/147

(Continued)

Primary Examiner — Cynthia Ramirez

Assistant Examiner — Gino Colan

(74) *Attorney, Agent, or Firm* — Renner, Kenner; Arthur M. Reginelli

(57) **CLAIM**

The ornamental design for a tool trolley, as shown and described.

DESCRIPTION

FIG. 1 is a top, front, left side perspective view of a tool trolley showing my new design;

FIG. 2 is a right side elevational view thereof;

FIG. 3 is a left side elevational view thereof;

FIG. 4 is a rear side elevational view thereof;

FIG. 5 is a front side elevational view thereof;

FIG. 6 is a top plan view thereof; and

FIG. 7 is a bottom plan view thereof.

FIG. 8 is a top, front, left side perspective view of the tool trolley of FIG. 1 showing the handles unfolded and with the trays spaced along the handles;

FIG. 9 is a right side elevational view thereof;

FIG. 10 is a left side elevational view thereof;

FIG. 11 is a rear side elevational view thereof;

FIG. 12 is a front side elevational view thereof; and

FIG. 13 is a top plan view thereof, the bottom plan view being the same as in FIG. 7.

FIG. 14 is a top, front, left side perspective view of the tool trolley of FIG. 8 showing the trays positioned laterally outwardly;

FIG. 15 is a right side elevational view thereof;

FIG. 16 is a left side elevational view thereof;

FIG. 17 is a rear side elevational view thereof;

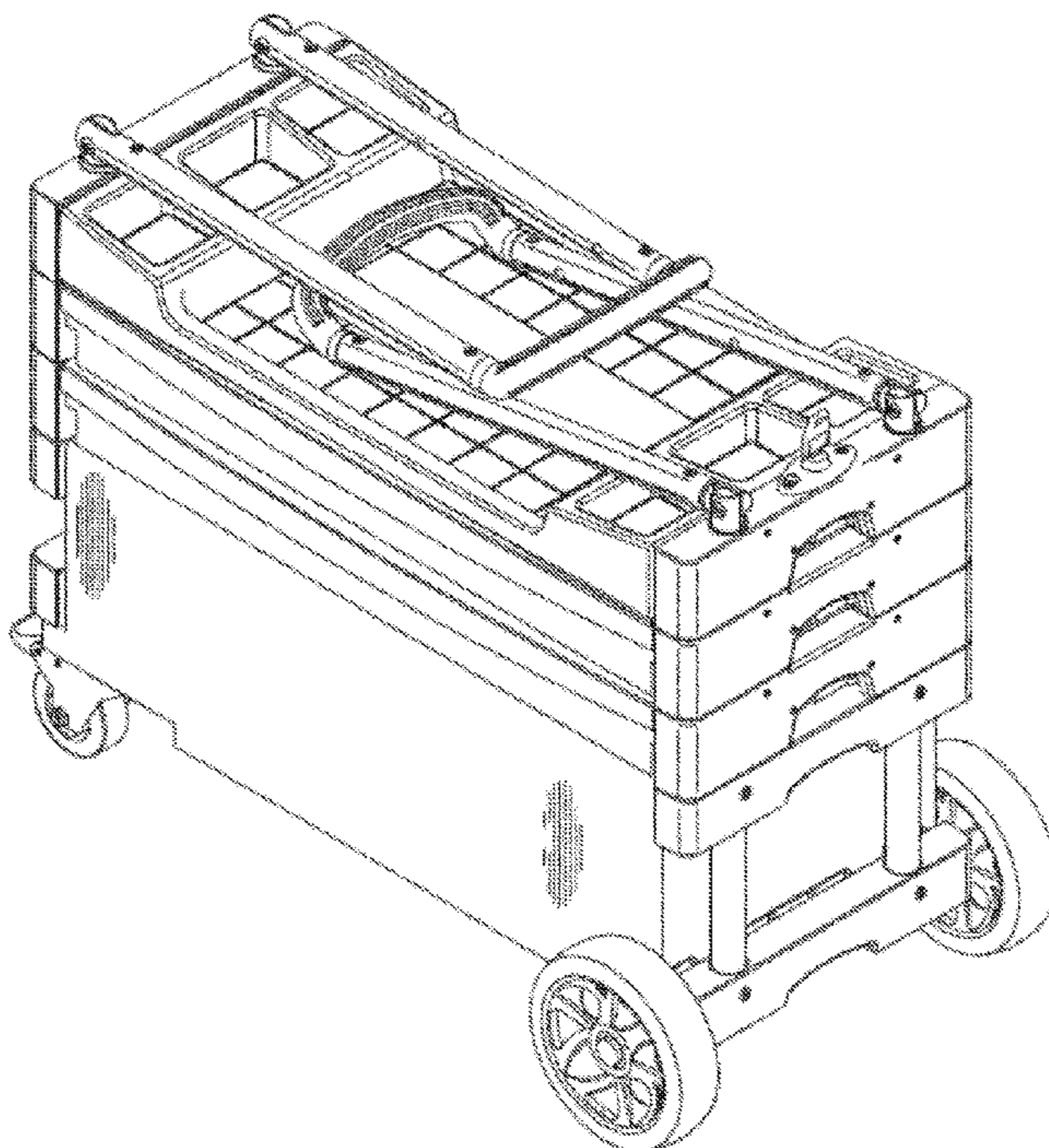
FIG. 18 is a front side elevational view thereof;

FIG. 19 is a top plan view thereof; and,

FIG. 20 is a bottom plan view thereof.

The broken lines in FIG. 7 and FIG. 20 identify areas of environment and are not part of the claimed design.

1 Claim, 20 Drawing Sheets



(58) **Field of Classification Search**

CPC B25H 1/14; B62B 3/002; B62B 3/02
See application file for complete search history.

(56) **References Cited**

U.S. PATENT DOCUMENTS

D419,230 S * 1/2000 Ciccone D23/333
6,499,750 B1 * 12/2002 Michelau B62B 3/007
280/47.34
6,976,744 B2 * 12/2005 Hay A47B 97/00
312/249.13
D524,506 S * 7/2006 Hay D34/20
D546,017 S * 7/2007 Wise D34/19
D730,661 S * 6/2015 Brunner D6/671
2015/0097348 A1 * 4/2015 Steinfels B62B 3/02
280/47.35
2015/0225006 A1 * 8/2015 Thiel A47C 3/20
280/651

* cited by examiner

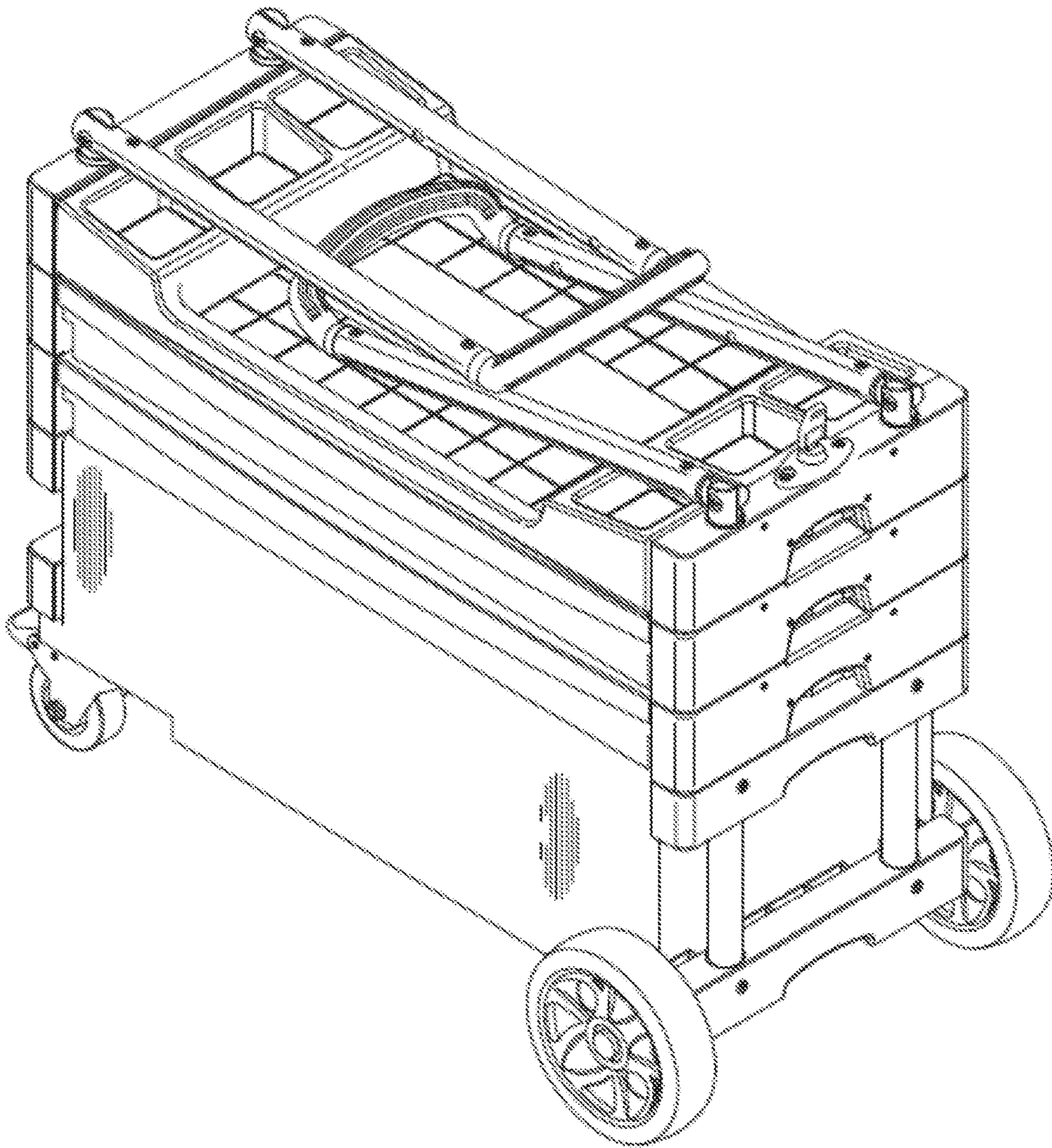


FIG. 1

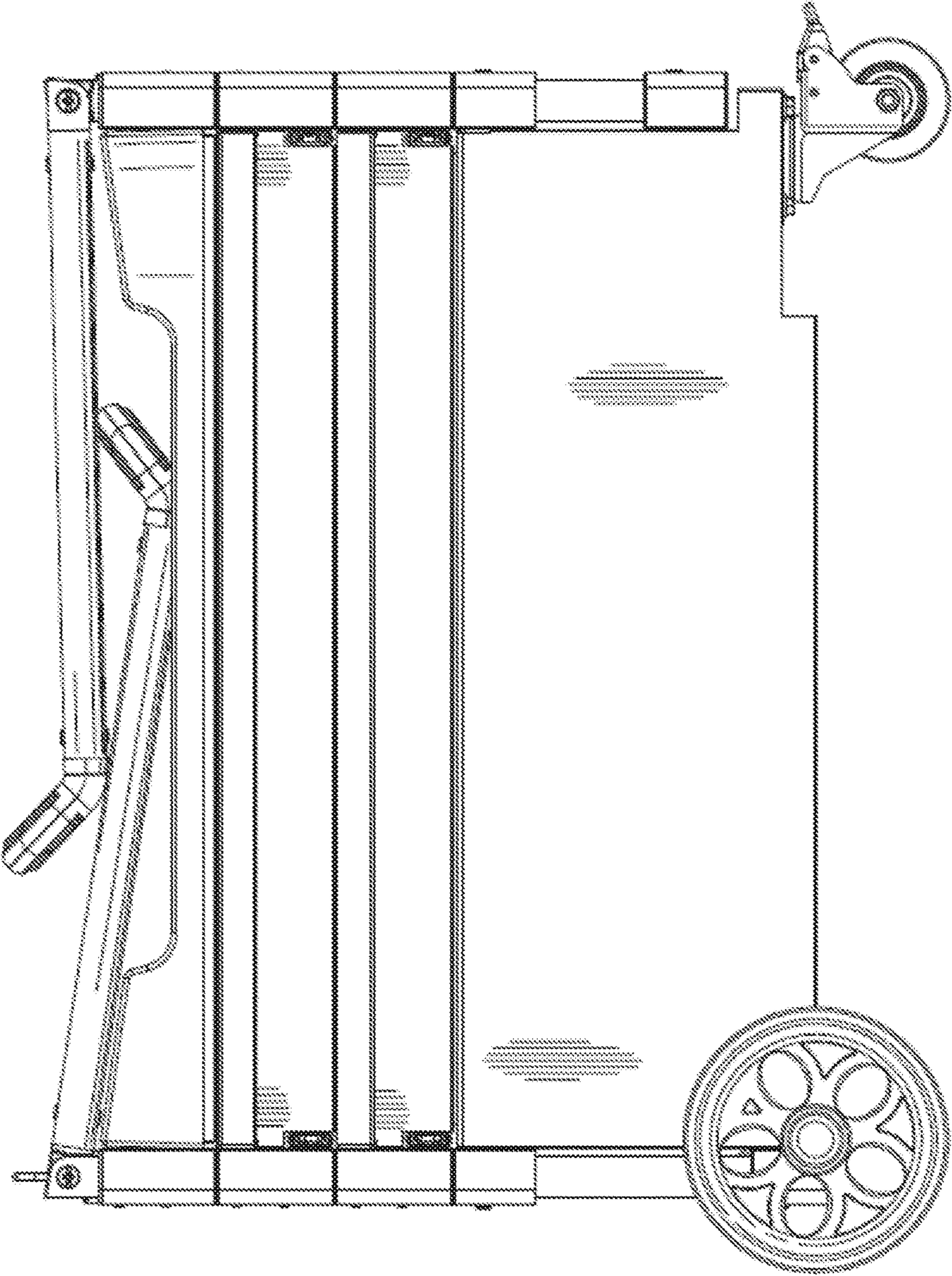


FIG. 2

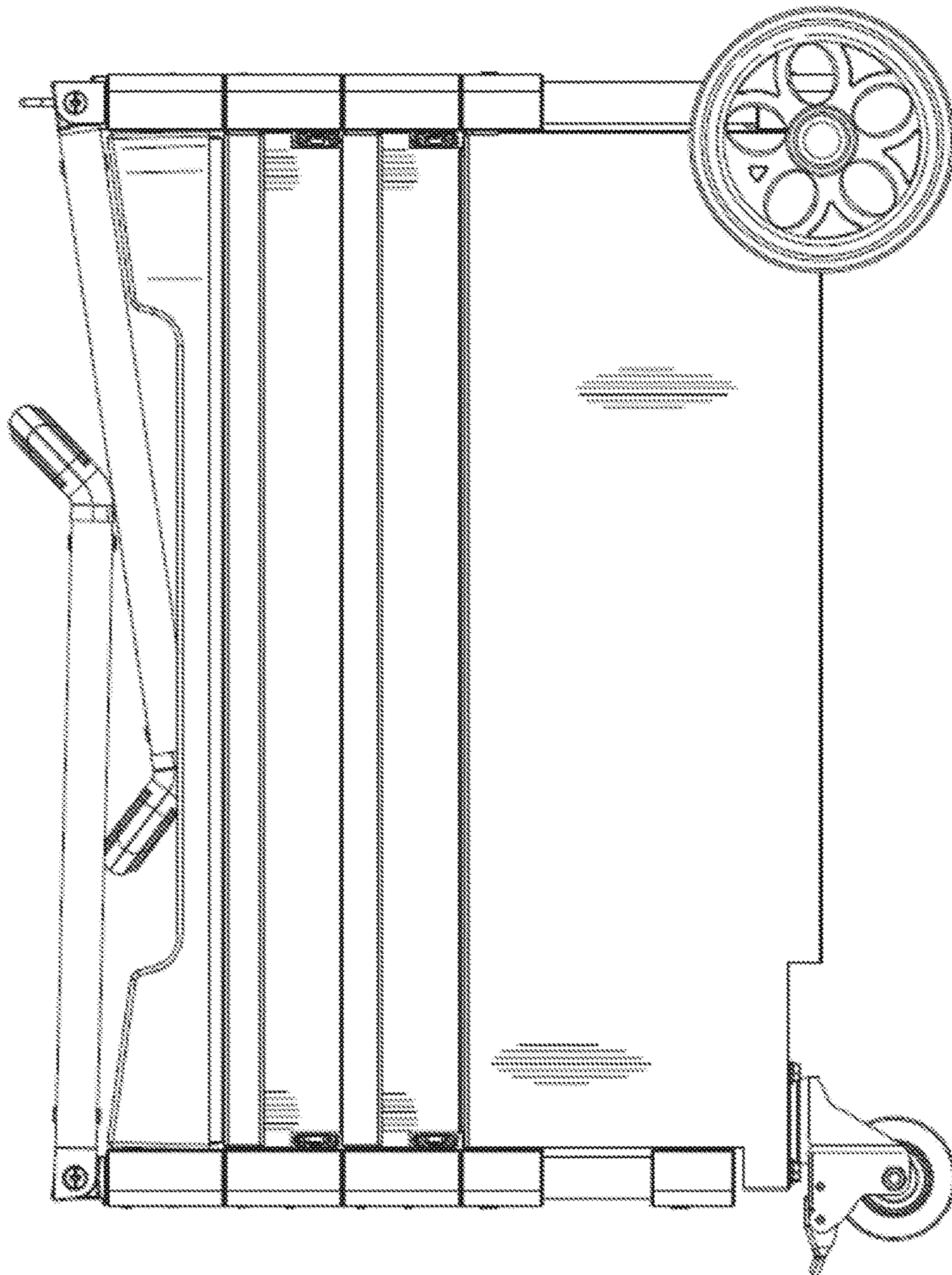


FIG. 3

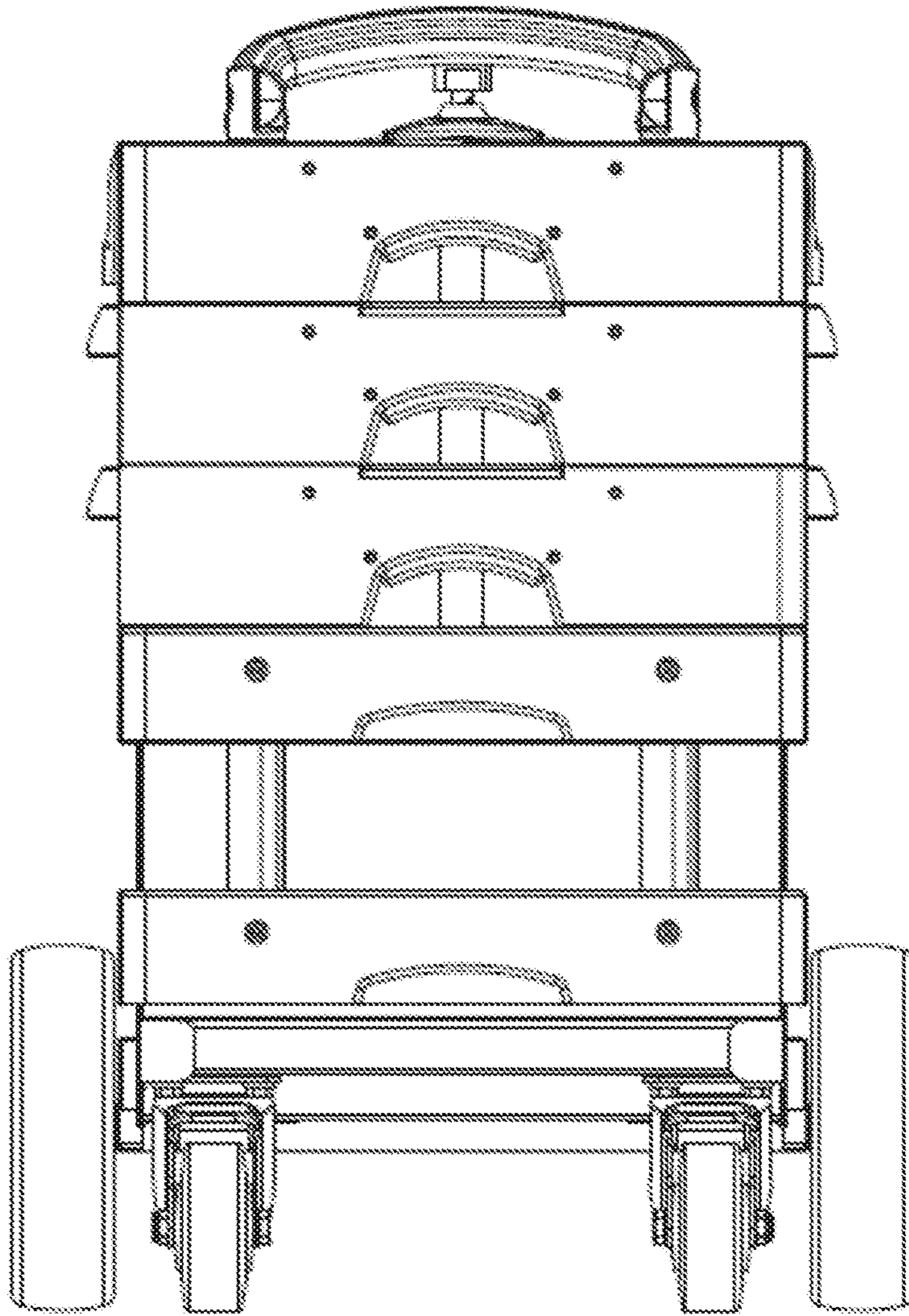


FIG. 4

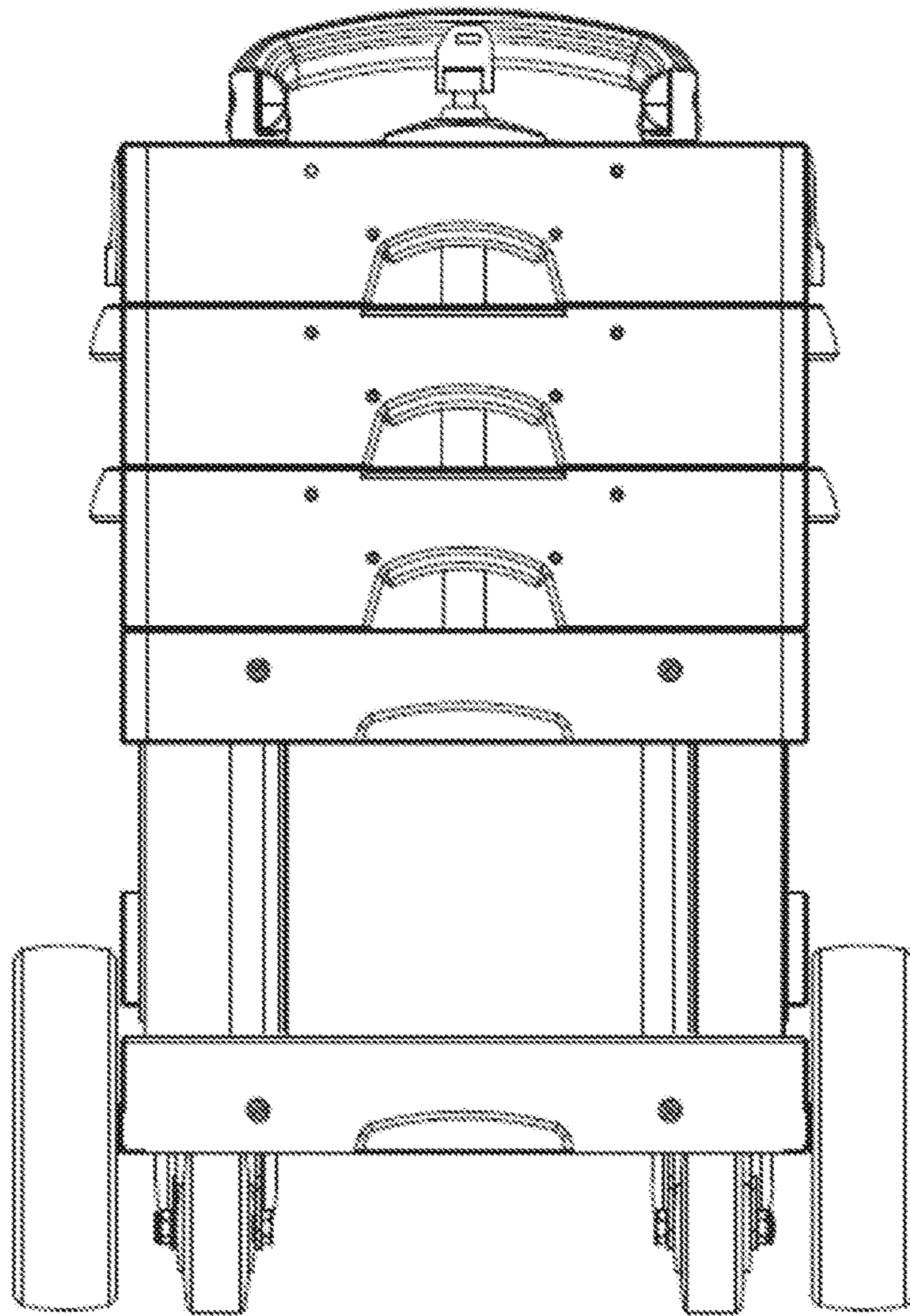


FIG. 5

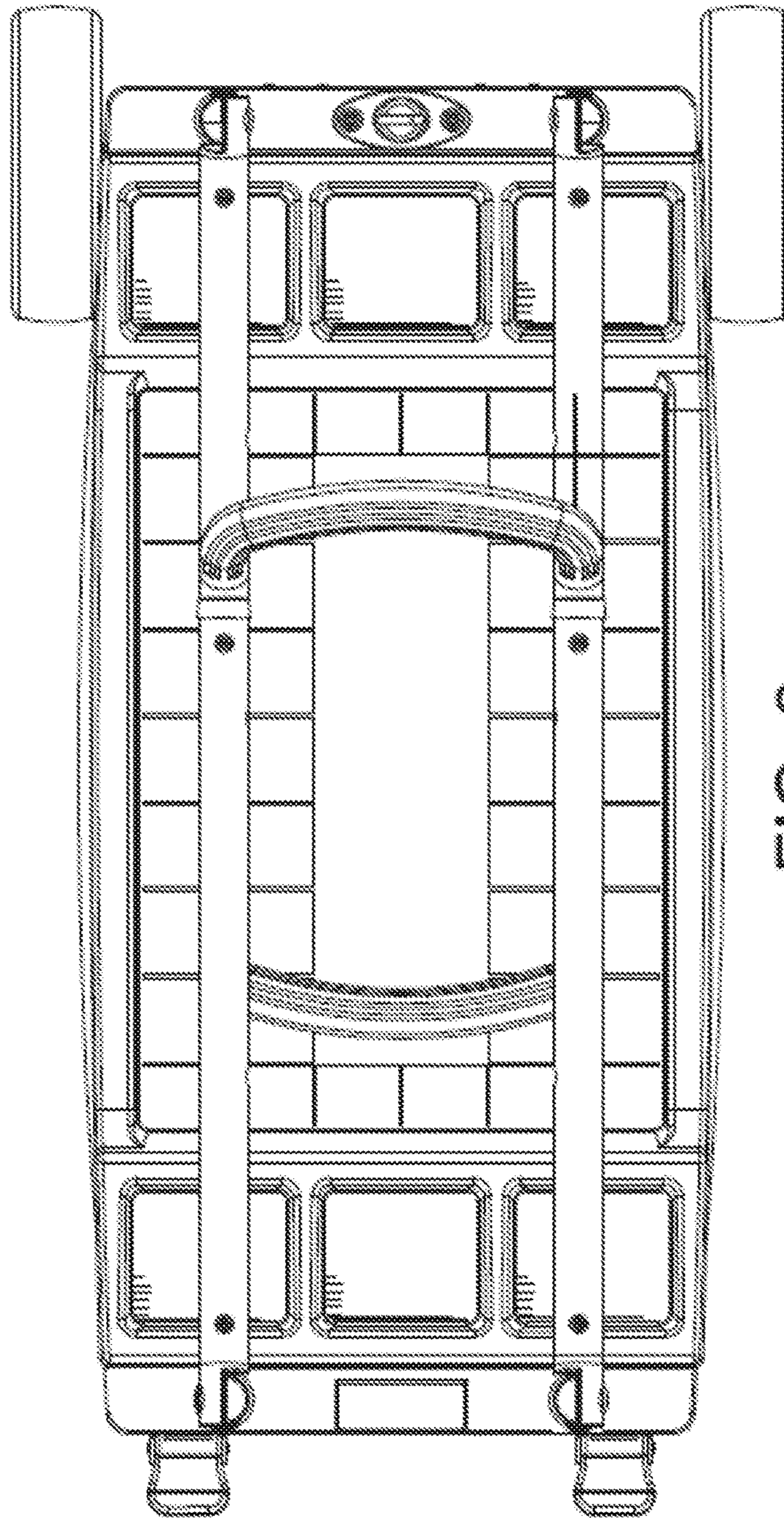


FIG. 6

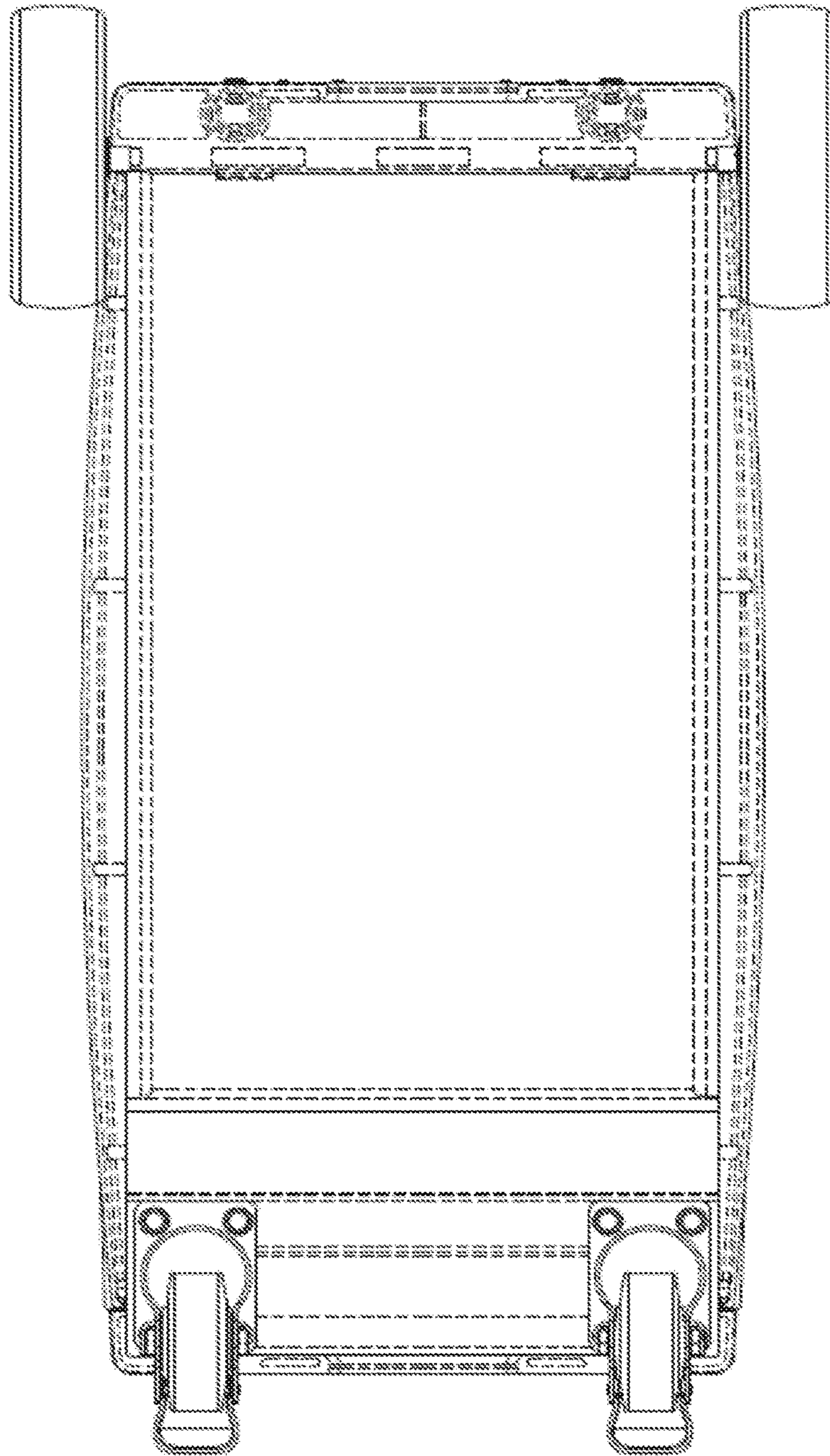


FIG. 7

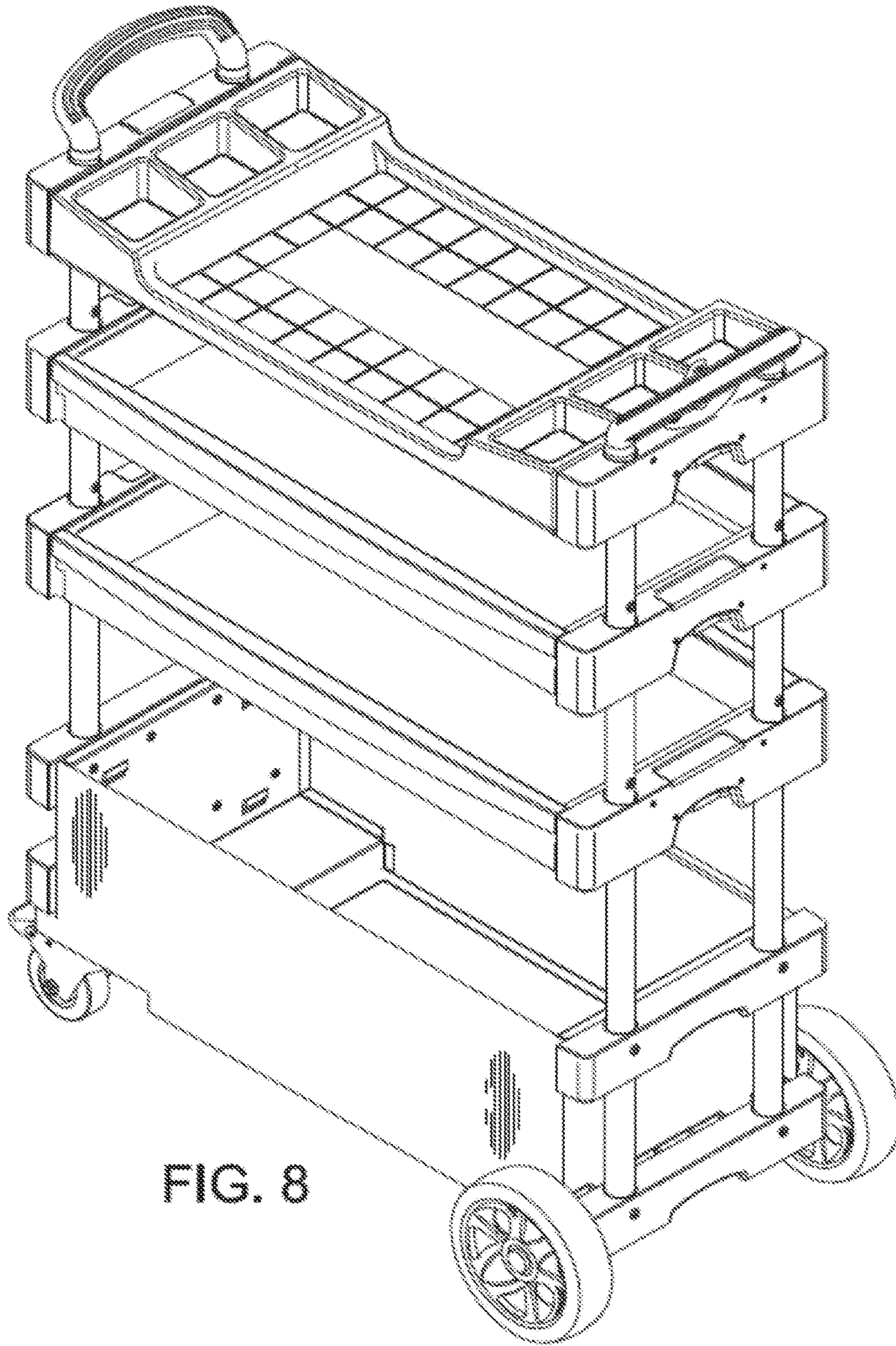


FIG. 8

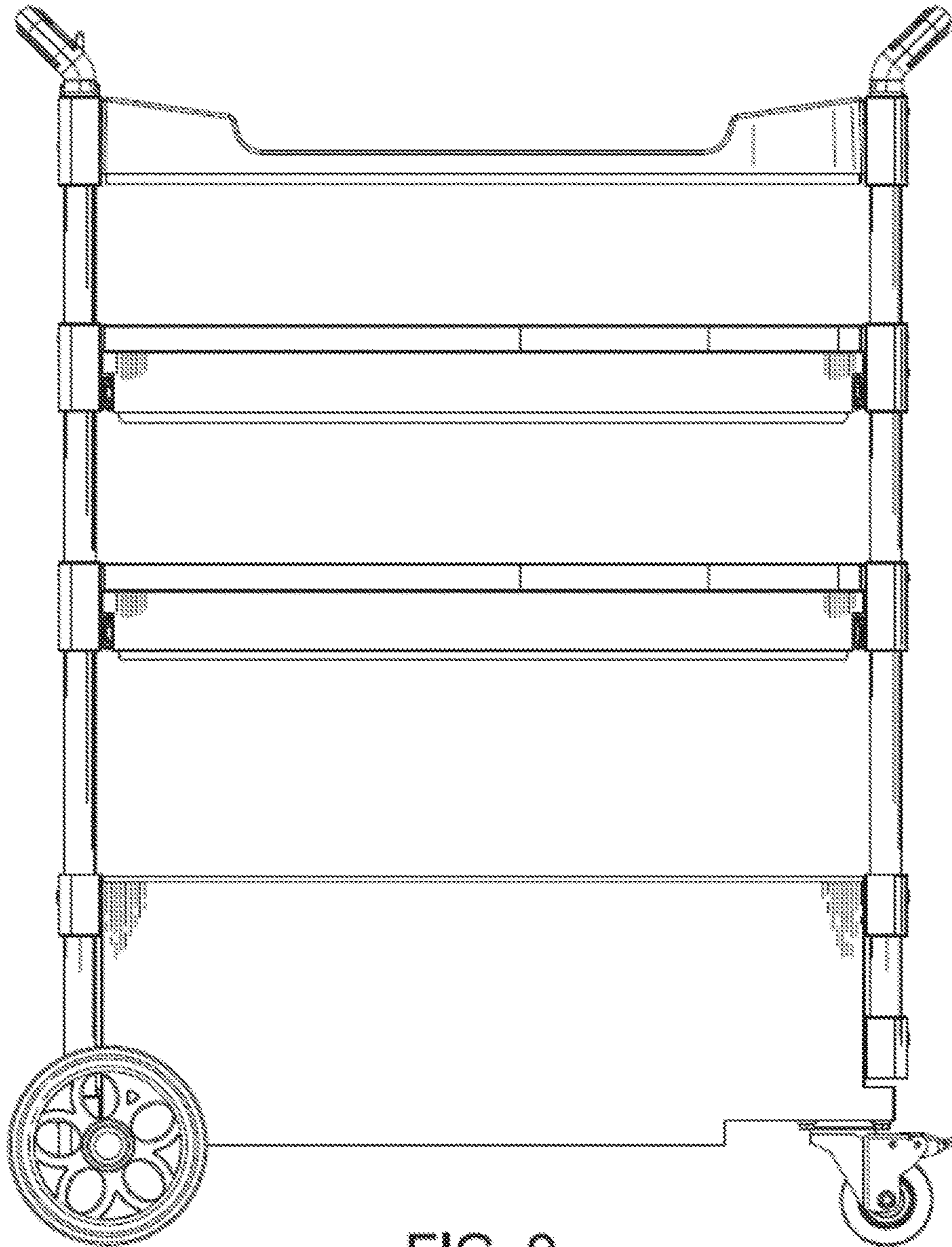


FIG. 9



FIG. 10

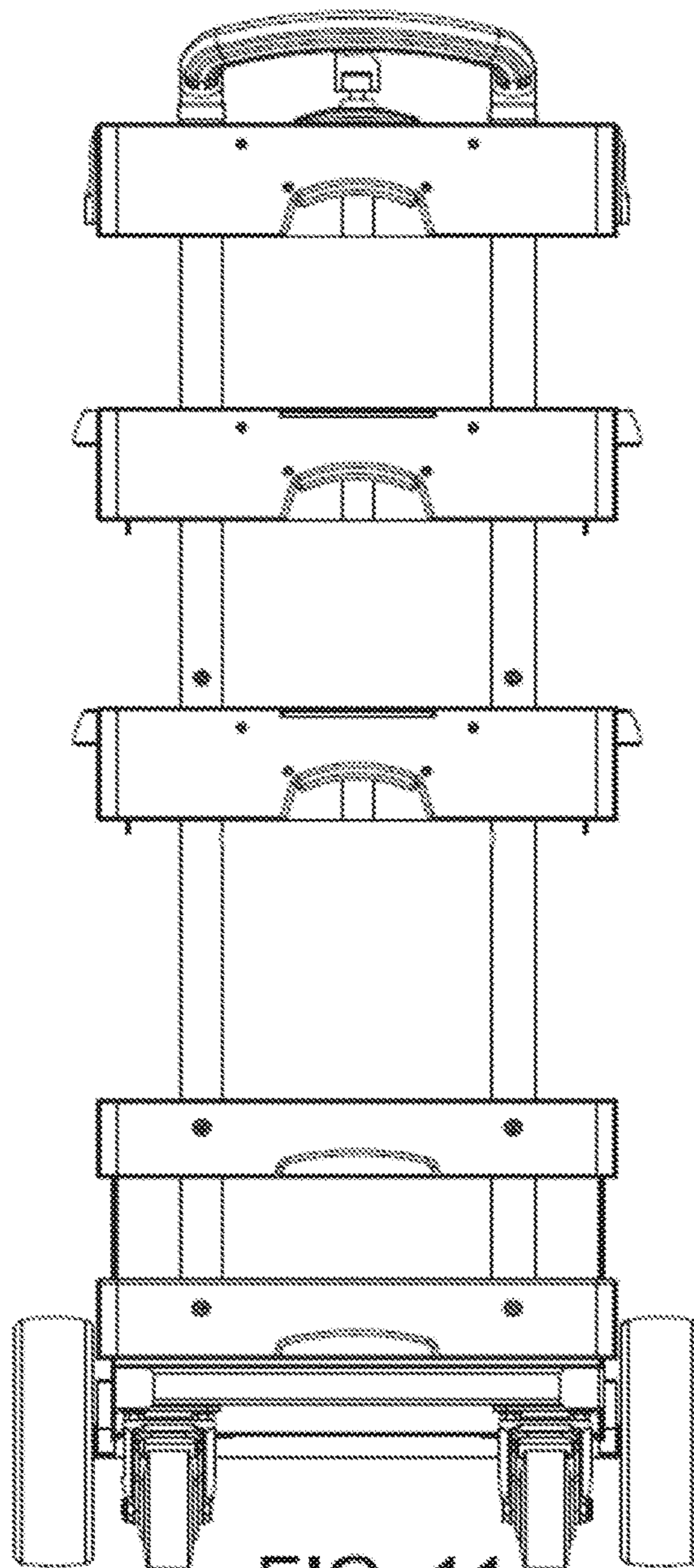


FIG. 11

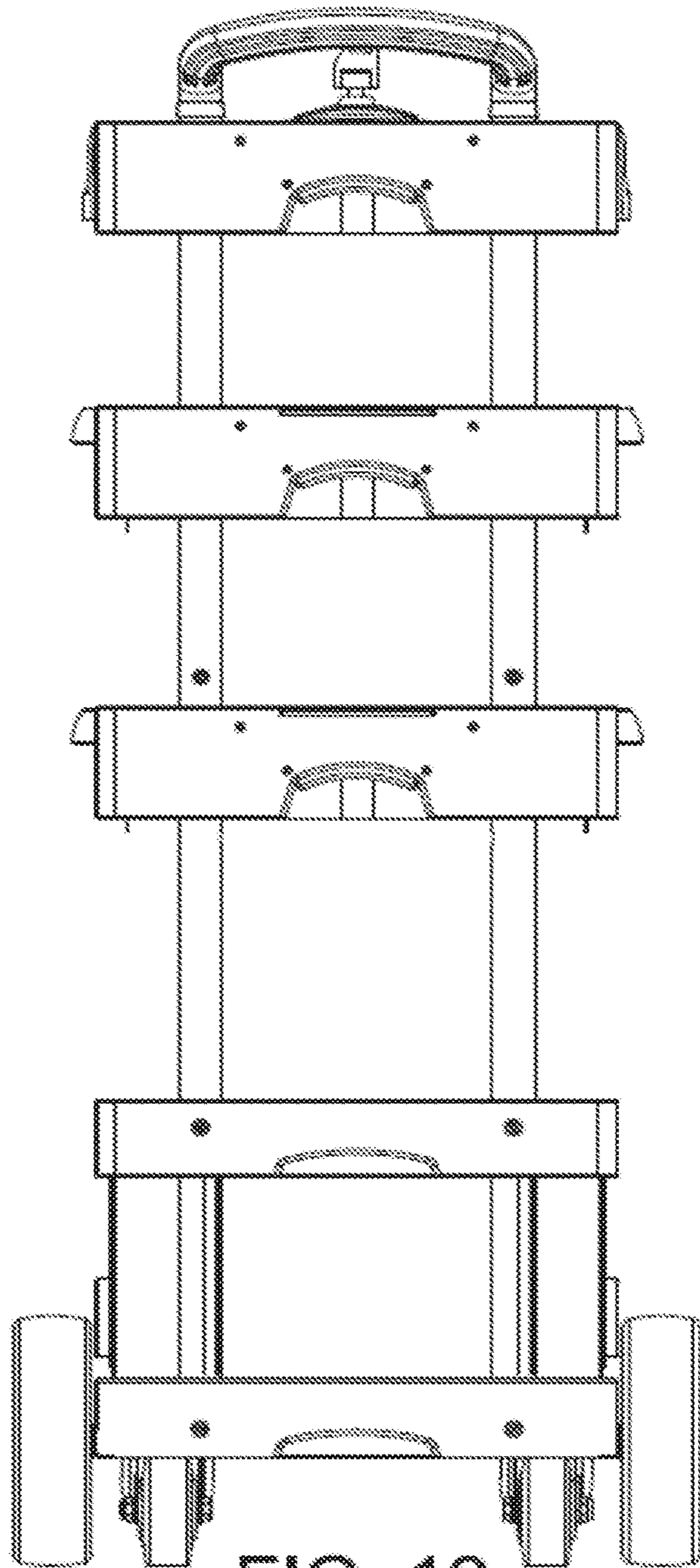


FIG. 12

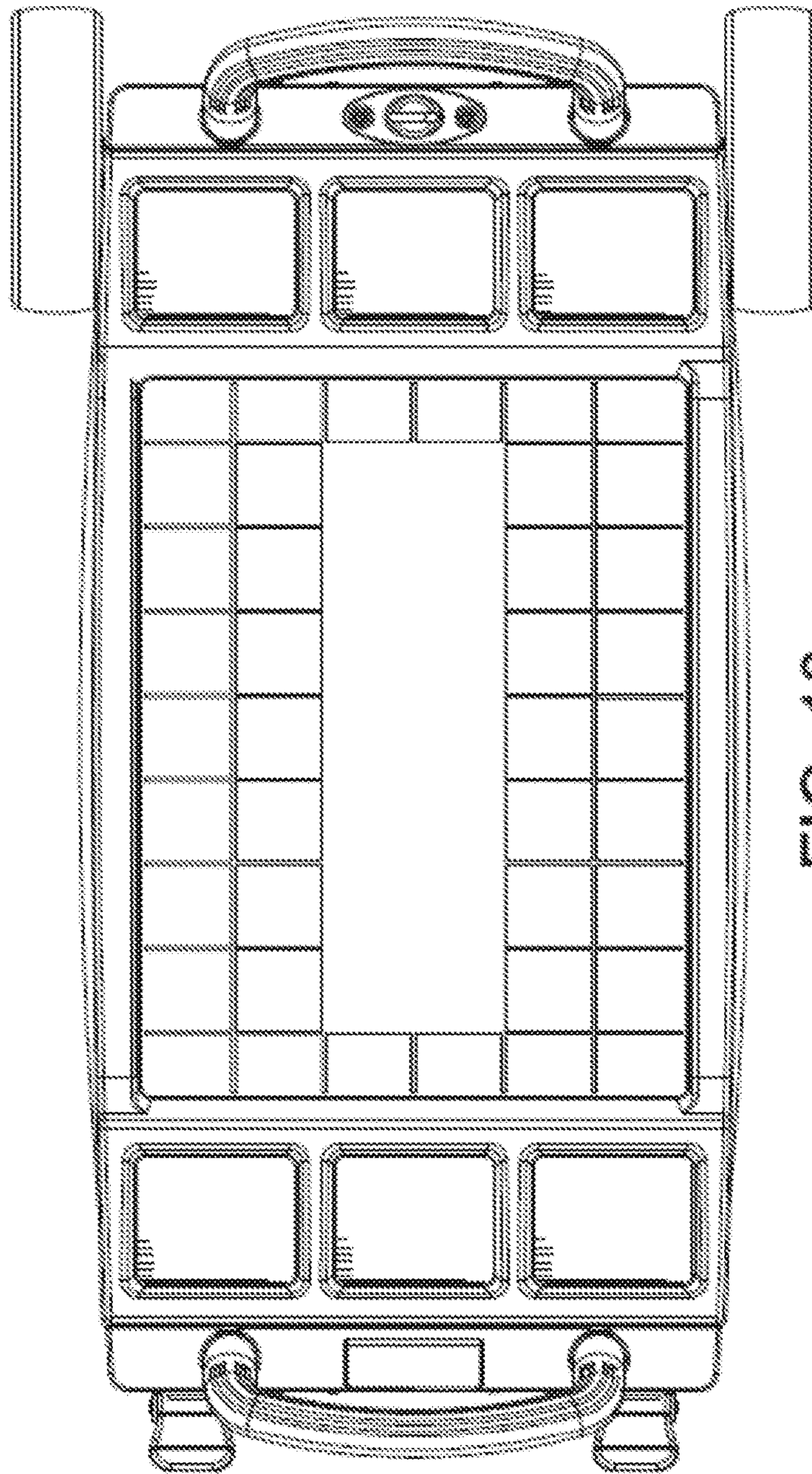


FIG. 13

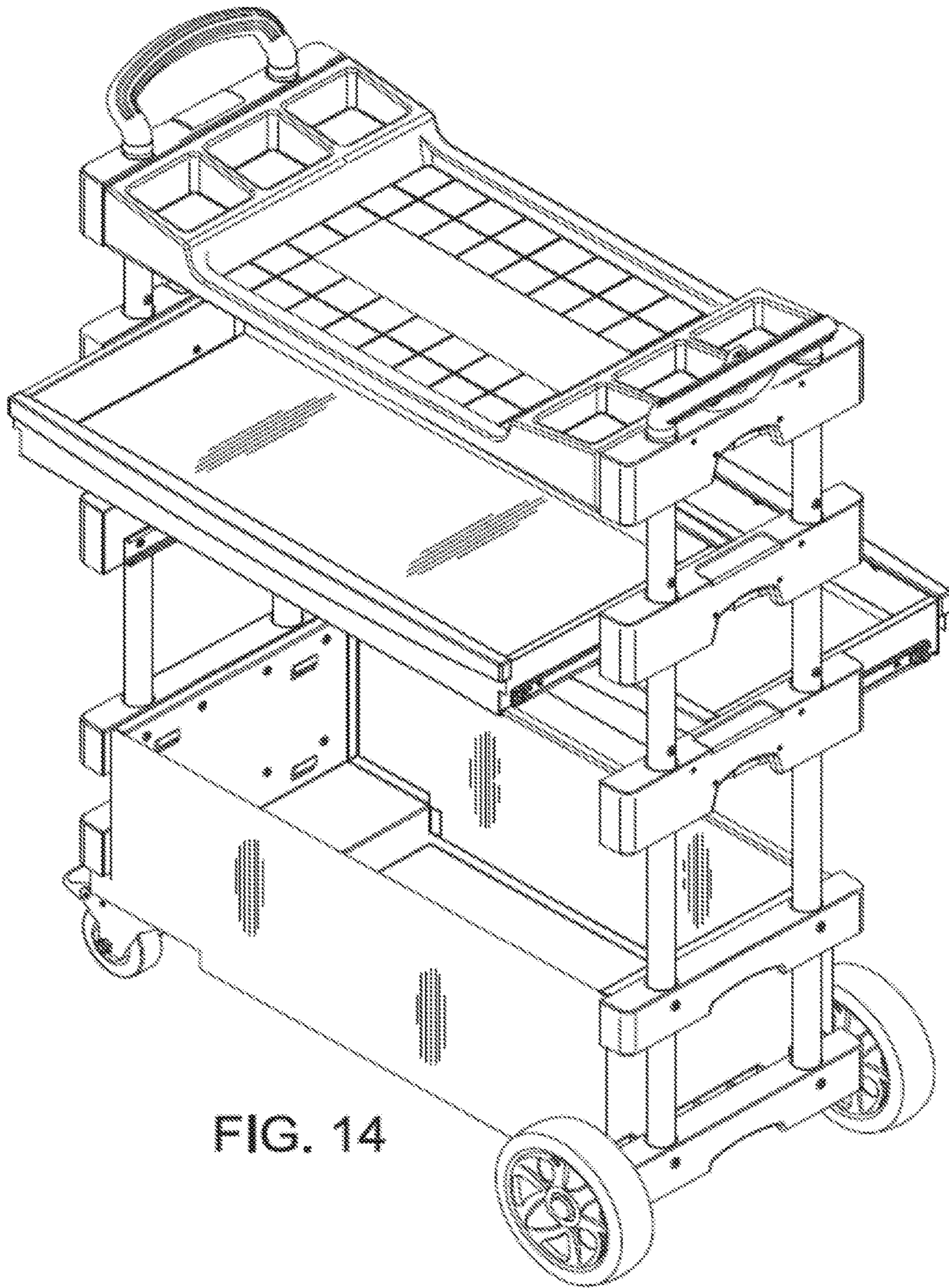


FIG. 14

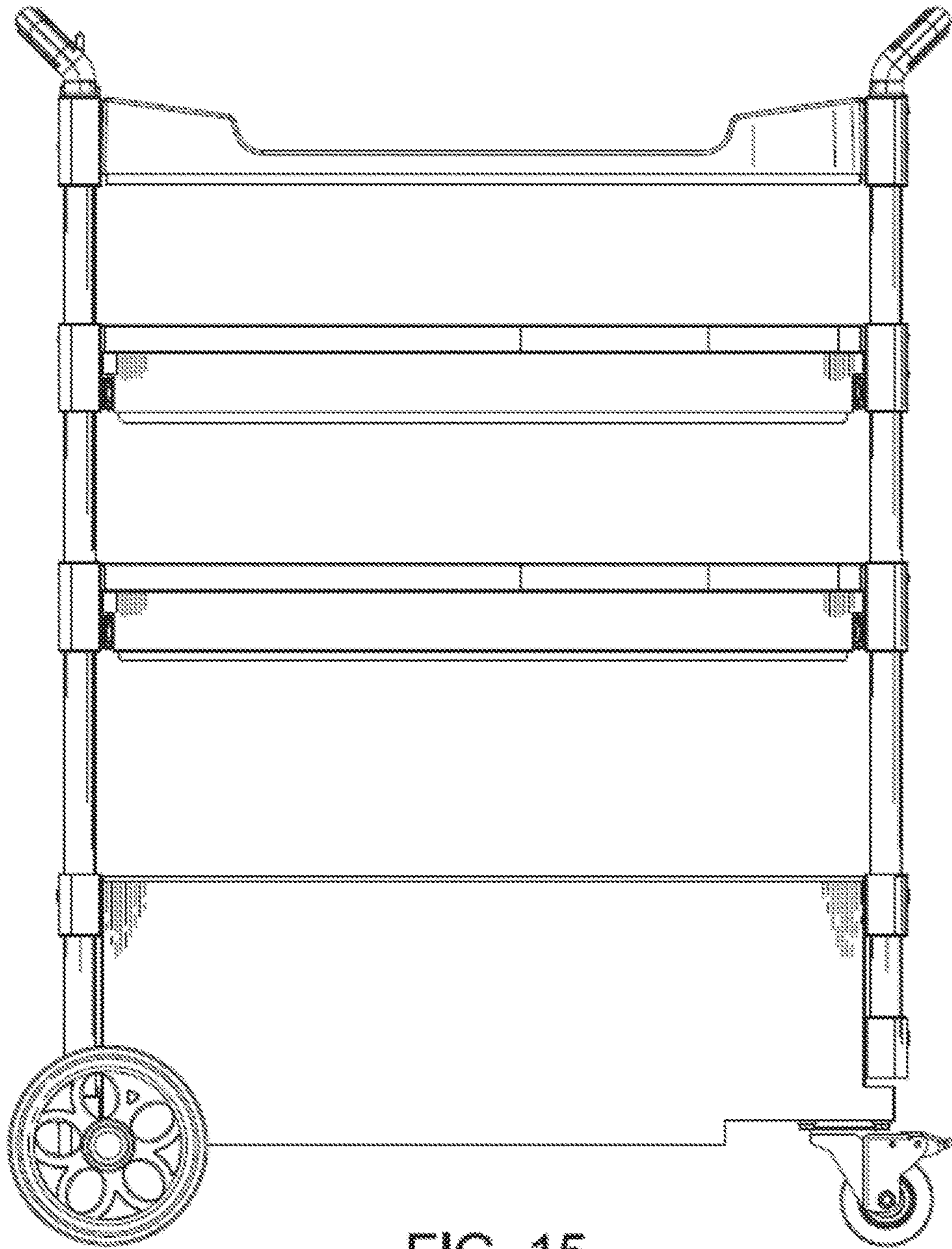


FIG. 15



FIG. 16

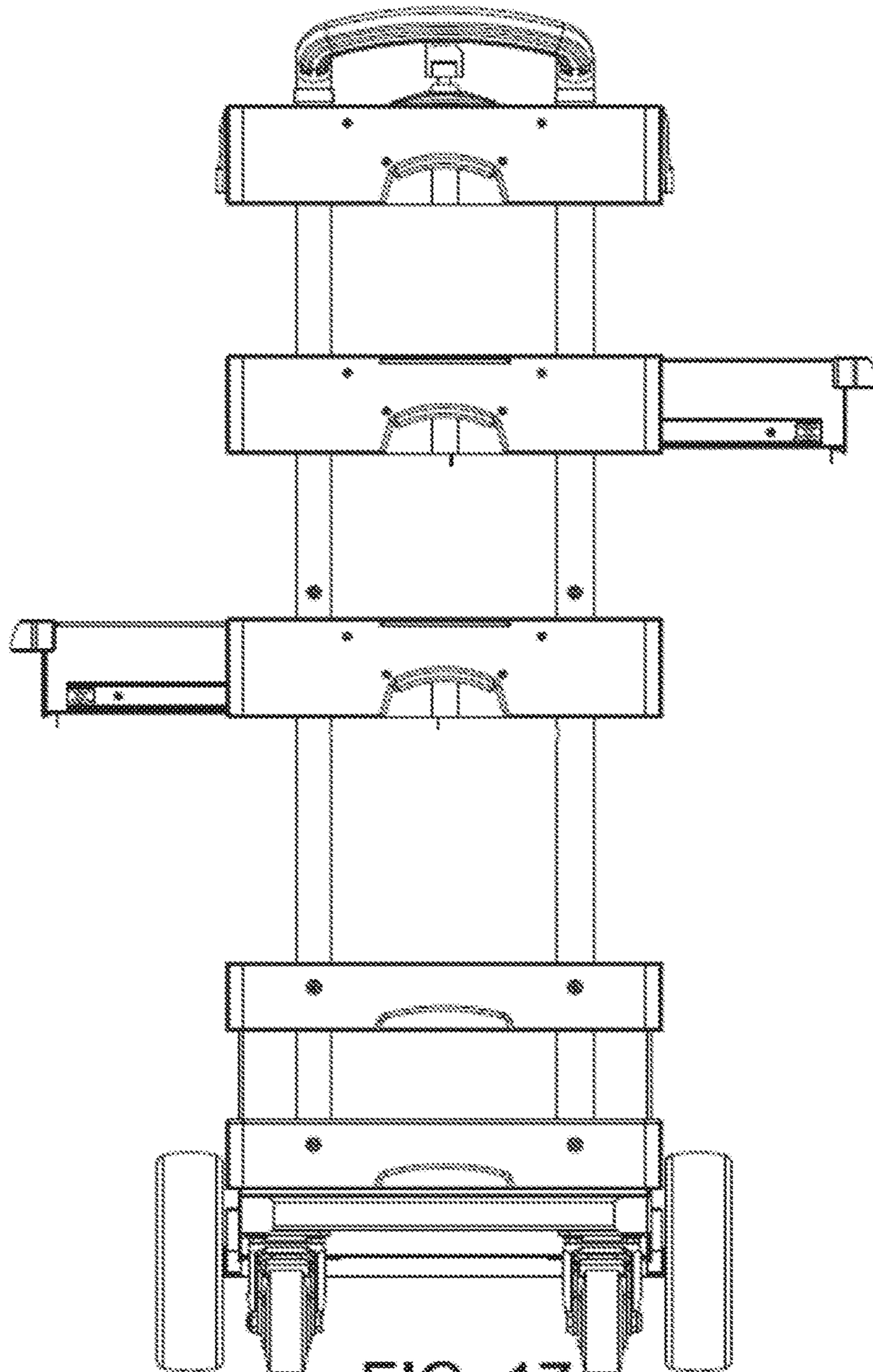


FIG. 17

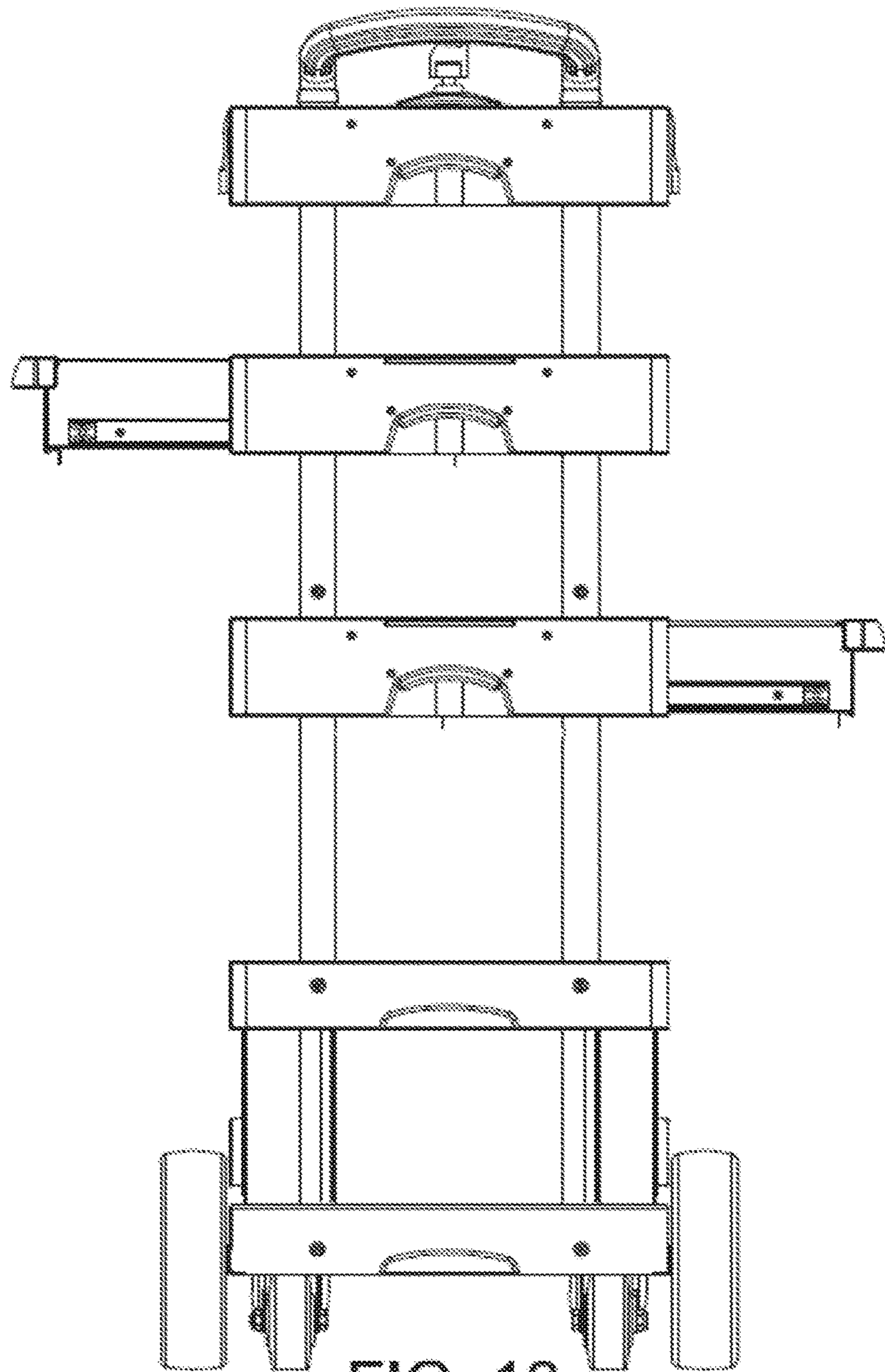


FIG. 18

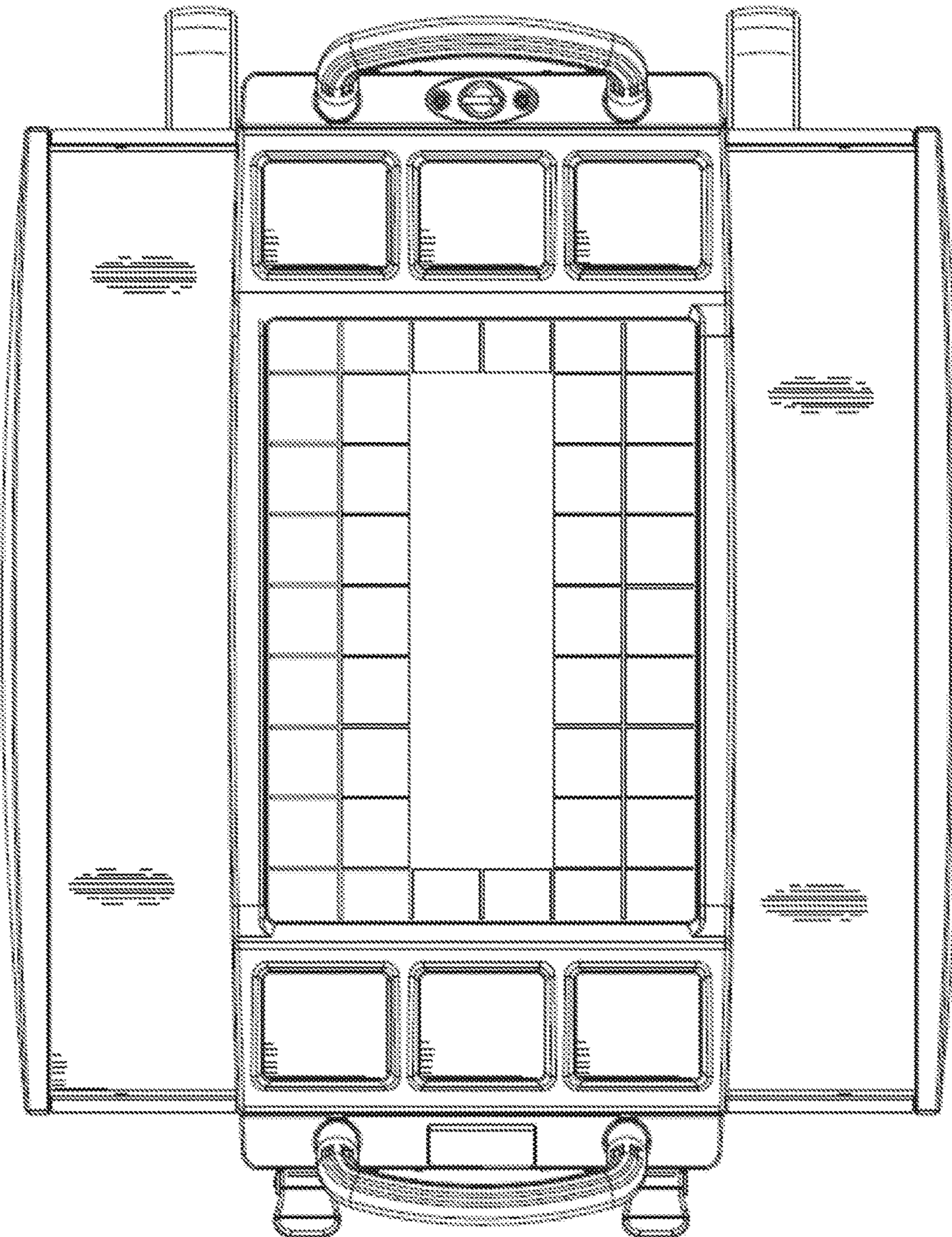


FIG. 19

