



US00D783920S

(12) **United States Design Patent**  
**Stravitz**

(10) **Patent No.:** **US D783,920 S**  
(45) **Date of Patent:** **\*\* Apr. 11, 2017**

(54) **BAG-RETAINING INSERT FOR WASTE CONTAINER**

(71) Applicant: **David M Stravitz**, New York, NY (US)

(72) Inventor: **David M Stravitz**, New York, NY (US)

(\*\*) Term: **15 Years**

(21) Appl. No.: **29/577,264**

(22) Filed: **Sep. 12, 2016**

**Related U.S. Application Data**

(60) Continuation-in-part of application No. 14/935,835, filed on Nov. 9, 2015, now Pat. No. 9,573,757, and a division of application No. 29/552,482, filed on Jan. 22, 2016, now Pat. No. Des. 767,229, which is a continuation-in-part of application No. 14/935,835, filed on Nov. 9, 2015, now Pat. No. 9,573,757.

(51) **LOC (10) Cl.** ..... **09-09**

(52) **U.S. Cl.**  
USPC ..... **D34/10**

(58) **Field of Classification Search**  
USPC ..... D34/1, 5, 6, 10, 11; 248/95, 97, 99, 100  
CPC ..... B65F 1/1415; B65B 67/1227; B65B 67/1238; B65B 67/12  
See application file for complete search history.

(56) **References Cited**

**U.S. PATENT DOCUMENTS**

- 1,719,185 A 7/1929 Lowy
- 2,434,238 A 1/1948 Wolfson
- 2,793,373 A 5/1957 Ewing
- 3,134,548 A 5/1964 Medina et al.
- 3,214,065 A 10/1965 Thornton
- 4,427,110 A 1/1984 Shaw, Jr.

- 4,488,697 A 12/1984 Garvey
- 4,902,482 A 2/1990 Faust
- 5,174,462 A 12/1992 Hames
- D334,975 S 4/1993 Bunce et al.
- D344,624 S 3/1994 Schnel et al.
- 5,520,303 A 5/1996 Bernstein et al.
- 5,556,063 A 9/1996 Boyd
- 5,988,520 A 11/1999 Bitner
- D457,283 S 5/2002 Wayt
- 6,540,103 B2 4/2003 Silvers
- 6,612,099 B2 9/2003 Stravitz

(Continued)

*Primary Examiner* — Cynthia Ramirez

(74) *Attorney, Agent, or Firm* — Brian Roffe

(57) **CLAIM**

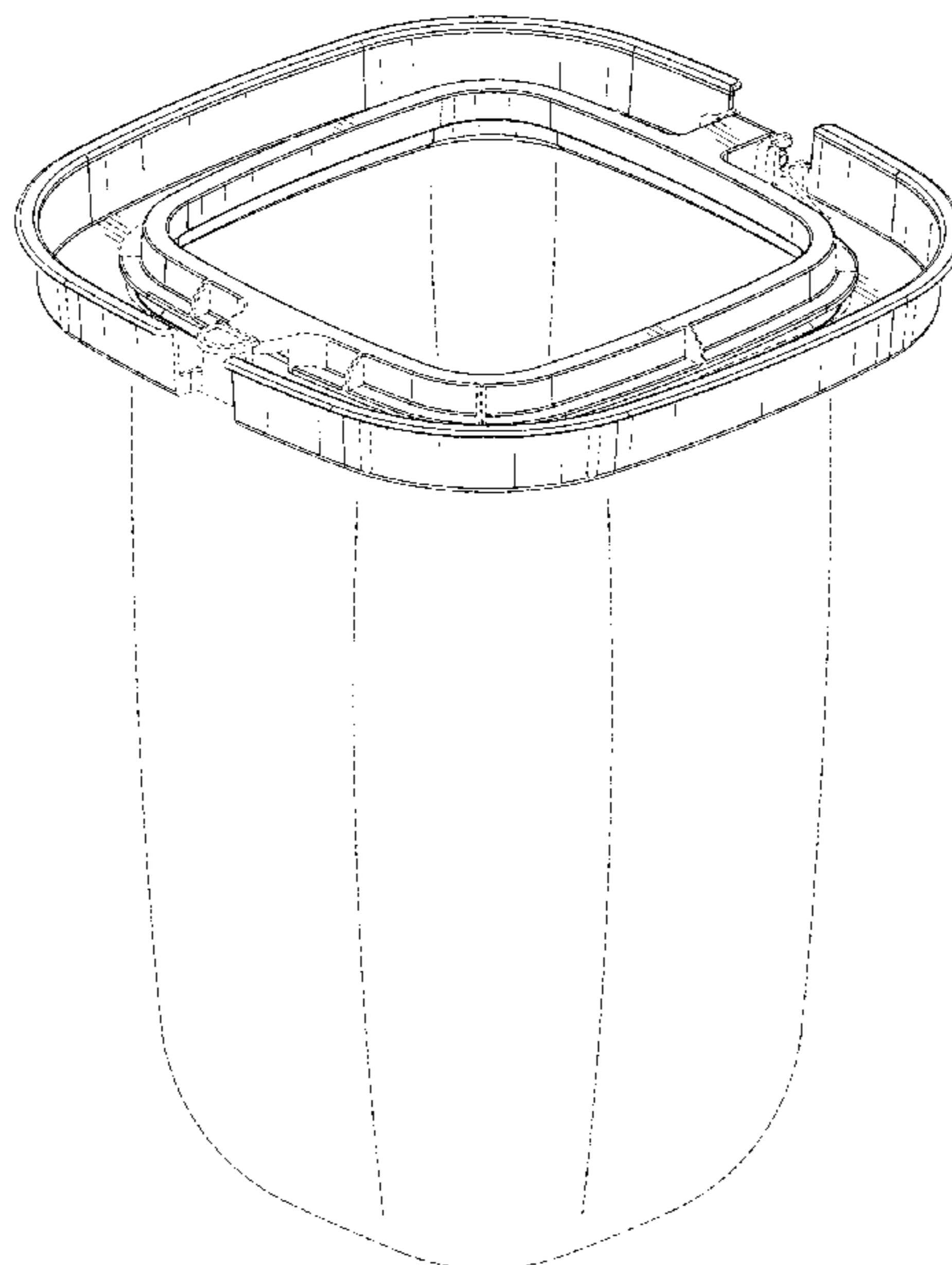
The ornamental design for a bag-retaining insert for waste container, as shown and described.

**DESCRIPTION**

FIG. 1 is a top perspective view of a bag-retaining insert for waste container showing my new design in a situation in which it will be used retaining a bag shown in dotted lines; FIG. 2 is a bottom perspective view thereof without the bag; FIG. 3 is a top view thereof; FIG. 4 is a bottom view thereof; FIG. 5 is a front view thereof; FIG. 6 is a rear view thereof; FIG. 7 is a right side view thereof; and, FIG. 8 is a left side view thereof.

The broken line showing of a bag in FIG. 1 is included for the purpose of illustrating environment and forms no part of the claimed design. The other elements shown in broken lines in the figures are included for the purpose of showing portions of the bag-retaining insert for waste container and form no part of the claimed design.

**1 Claim, 6 Drawing Sheets**



(56)

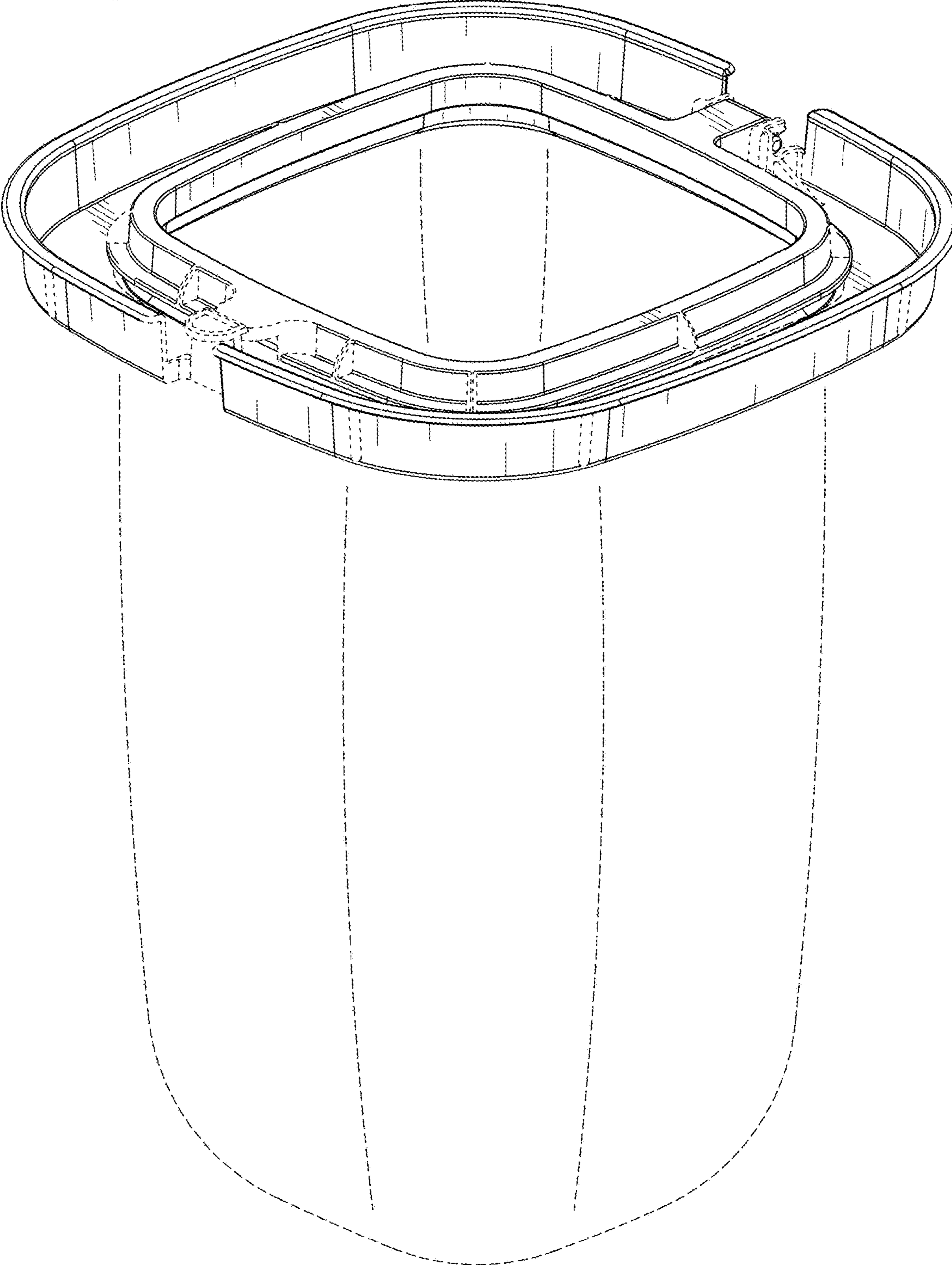
References Cited

U.S. PATENT DOCUMENTS

D485,404 S	1/2004	Del Prato	8,215,089 B2	7/2012	Stravitz
6,679,462 B1	1/2004	Valdez	8,235,237 B1	8/2012	Stravitz
6,804,930 B2	10/2004	Stravitz	8,266,871 B1	9/2012	Stravitz
6,837,394 B2	1/2005	Nnamani	8,393,489 B1	3/2013	Stravitz
6,851,251 B2	2/2005	Stravitz	D682,725 S	5/2013	Reeder et al.
6,904,867 B2	6/2005	Zamjahn	8,567,157 B2	10/2013	Dunn et al.
6,974,029 B2	12/2005	Morand et al.	8,635,838 B2	1/2014	Dunn et al.
7,086,569 B2	8/2006	Stravitz	8,647,587 B2	2/2014	Dunn et al.
7,114,314 B2	10/2006	Stravitz	8,657,139 B1	2/2014	Bodine
7,146,785 B2	12/2006	Stravitz	8,690,017 B2	4/2014	Dunn et al.
D537,598 S	2/2007	Moore	8,739,501 B2	6/2014	Dunn et al.
7,225,943 B2	6/2007	Yang et al.	8,752,724 B2	6/2014	Babikian et al.
7,316,100 B2	1/2008	Stravitz et al.	8,833,592 B2	9/2014	Dunn et al.
7,406,814 B2	8/2008	Morand	8,834,023 B1	9/2014	Laera
7,434,377 B2	10/2008	Stravitz et al.	8,844,751 B2	9/2014	Sakaguchi et al.
7,503,152 B2	3/2009	Stravitz et al.	8,899,420 B2	12/2014	Morand
7,503,159 B2	3/2009	Stravitz et al.	8,910,821 B1	12/2014	Stravitz
7,516,865 B1	4/2009	Pierre	D723,239 S	2/2015	Raschke et al.
7,543,716 B2	6/2009	Lin	8,959,880 B2	2/2015	Morand
D596,364 S	7/2009	Morand	8,973,774 B1	3/2015	Stravitz
7,617,659 B2	11/2009	Stravitz et al.	D728,184 S	4/2015	Hoggatt et al.
7,696,711 B2	4/2010	Pollack et al.	9,085,404 B2	7/2015	Dunn et al.
7,708,188 B2	5/2010	Stravitz et al.	D767,229 S *	9/2016	Stravitz ..... D34/10
7,712,285 B2	5/2010	Stravitz et al.	2002/0051739 A1	5/2002	Wang
D619,905 S	7/2010	Dunn et al.	2003/0085227 A1	5/2003	Azzarello
7,878,359 B1	2/2011	Ko	2005/0056649 A1	3/2005	Simonson et al.
7,931,150 B2	4/2011	Morand	2008/0134644 A1	6/2008	Knuth et al.
D639,002 S	5/2011	Dunn et al.	2008/0264948 A1	10/2008	Kovacevich et al.
D639,003 S	5/2011	Dunn et al.	2009/0046955 A1	2/2009	Schember et al.
D639,004 S	5/2011	Dunn et al.	2010/0005762 A1	1/2010	Stravitz
7,963,414 B1	6/2011	Stravitz	2010/0140423 A1	6/2010	Davies
D652,189 S	1/2012	Morand	2011/0099958 A1	5/2011	Dunn et al.
D654,738 S	2/2012	Morand	2012/0211494 A1	8/2012	Morand
8,127,519 B2	3/2012	Stravitz	2013/0181000 A1	7/2013	Miksovsky et al.
D657,107 S	4/2012	Fitzpatrick et al.	2013/0252534 A1	9/2013	Smith
			2014/0027452 A1	1/2014	Pan
			2014/0042168 A1	2/2014	Dunn et al.

\* cited by examiner

FIG. 1



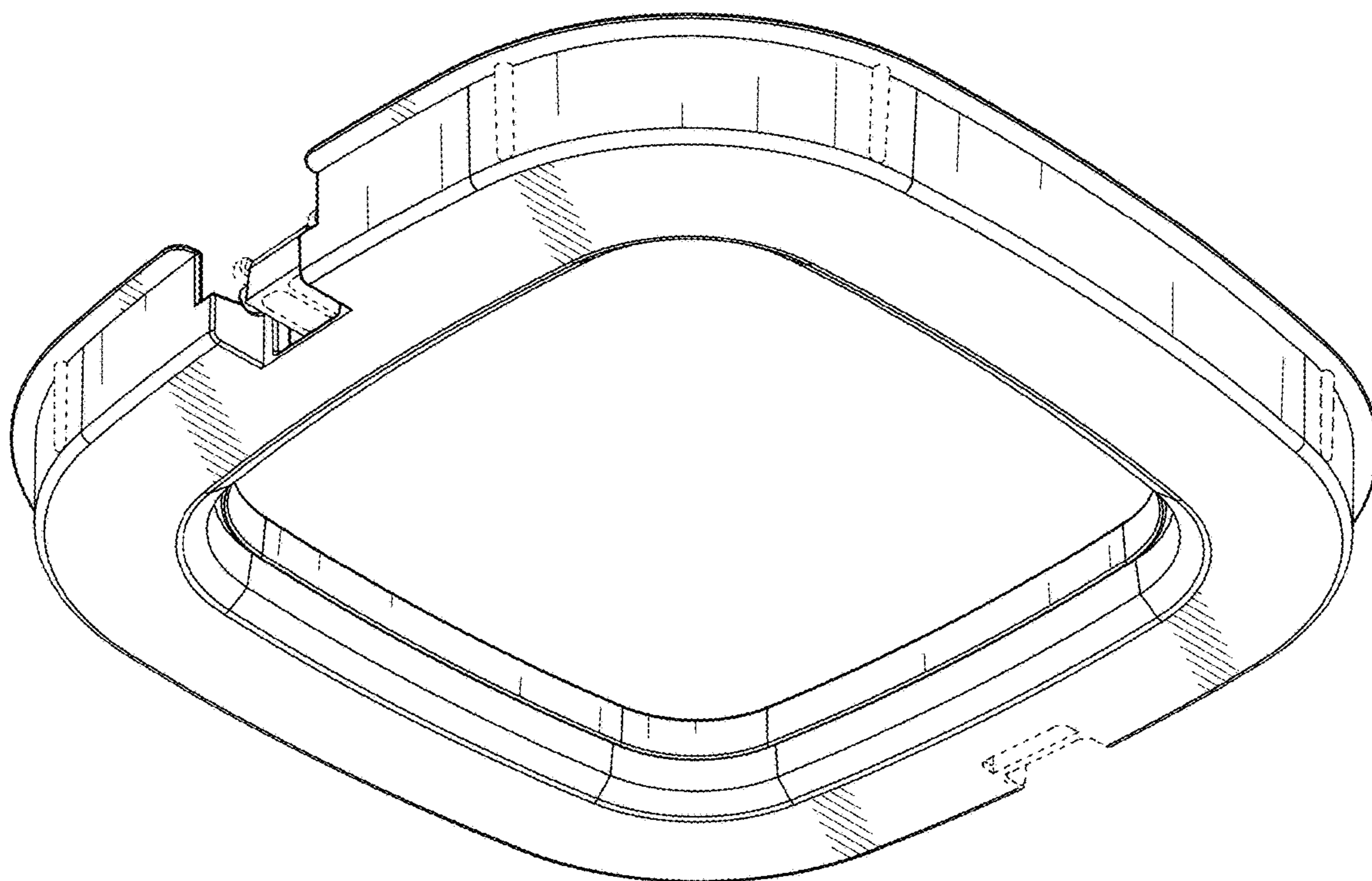


FIG. 2

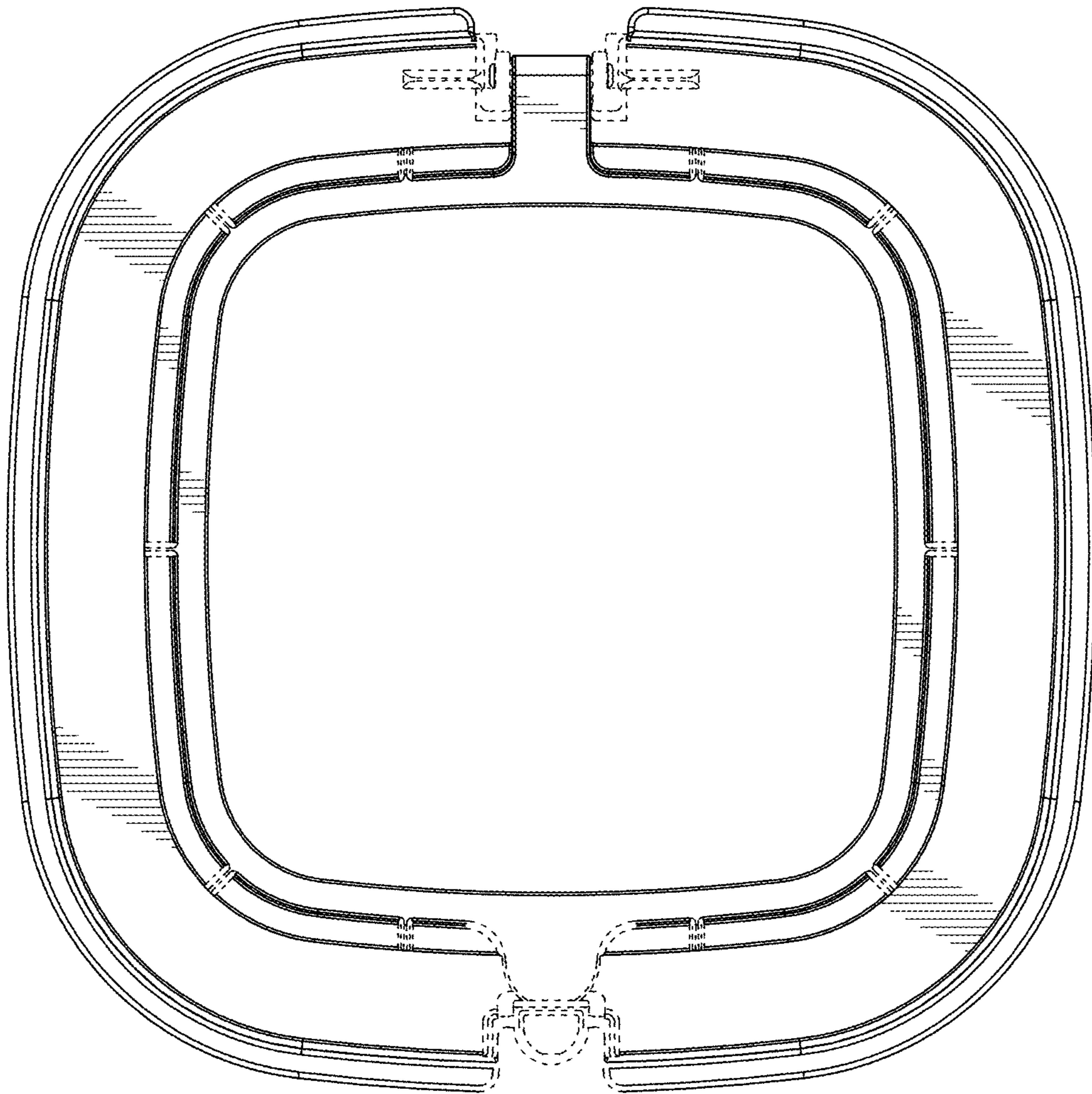


FIG. 3

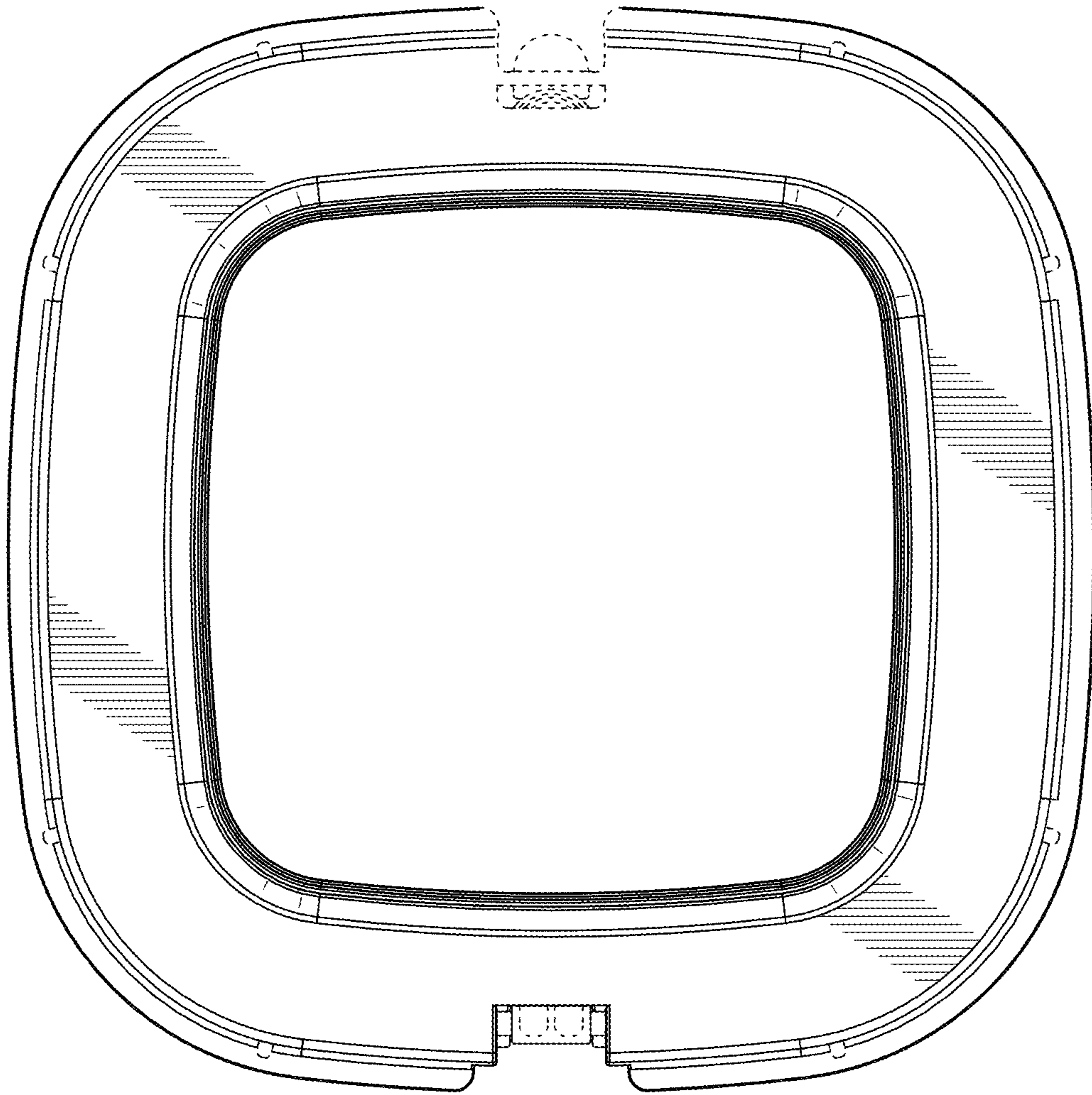


FIG. 4



FIG. 5

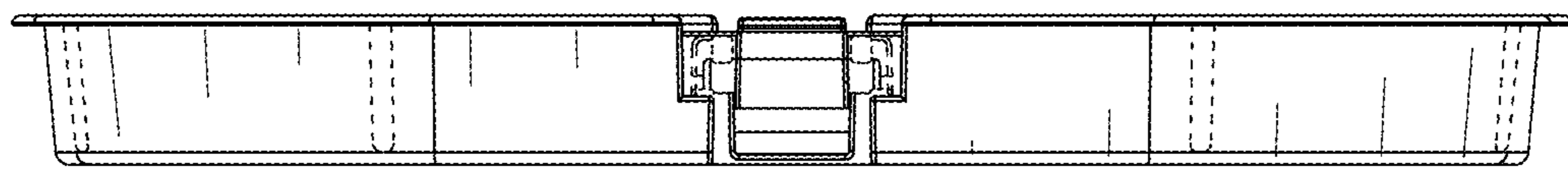


FIG. 6

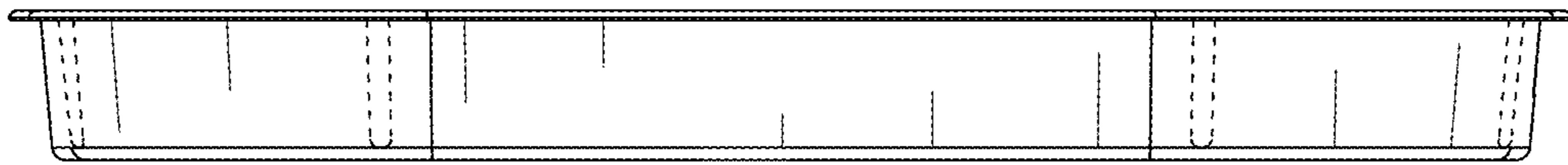


FIG. 7

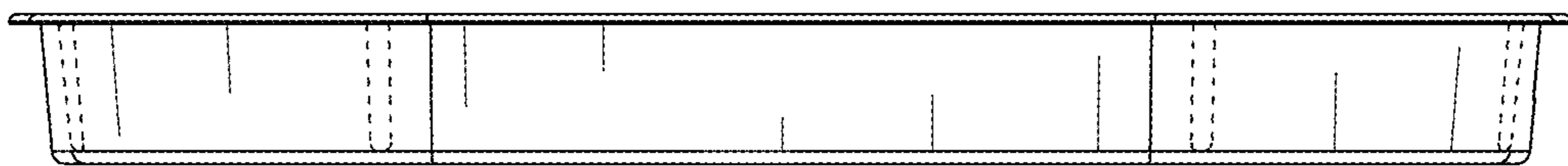


FIG. 8